



US00D606508S

(12) **United States Design Patent**  
**Wun et al.**

(10) **Patent No.:** **US D606,508 S**

(45) **Date of Patent:** **\*\* Dec. 22, 2009**

(54) **HAND-HELD ELECTRONIC DEVICE**

(75) Inventors: **Archer Chi Kwong Wun**, North York (CA); **Kwok Ching Leung**, Richmond Hill (CA); **Todd Andrew Wood**, Guelph (CA)

(73) Assignee: **Research In Motion Limited**, Waterloo (CA)

(\*\*) Term: **14 Years**

(21) Appl. No.: **29/336,422**

(22) Filed: **May 4, 2009**

**Related U.S. Application Data**

(63) Continuation of application No. 29/303,720, filed on Feb. 15, 2008, now Pat. No. Des. 596,600.

(51) **LOC (9) Cl.** ..... **14-03**

(52) **U.S. Cl.** ..... **D14/138 AB; D14/248**

(58) **Field of Classification Search** ..... **D14/138 AB, D14/248; 455/575.3**

See application file for complete search history.

(56) **References Cited**

**U.S. PATENT DOCUMENTS**

D536,689	S *	2/2007	Suzuki et al. ....	D14/138 AB
D554,094	S *	10/2007	Ribeiro et al. ....	D14/138 AB
D560,634	S *	1/2008	Lee .....	D14/138 AB
D563,351	S *	3/2008	Baik et al. ....	D14/138 AB
D563,358	S *	3/2008	Baik et al. ....	D14/138 AB
D563,365	S *	3/2008	Kim .....	D14/138 AB
D566,082	S *	4/2008	Kim et al. ....	D14/138 AB
D566,083	S *	4/2008	Kim et al. ....	D14/138 AB
D569,826	S *	5/2008	Griffin et al. ....	D14/138 AB
D574,352	S *	8/2008	Cha et al. ....	D14/138 AB
D576,130	S *	9/2008	Kim et al. ....	D14/138 AB
D576,137	S *	9/2008	Jeon et al. ....	D14/138 AB
D579,895	S *	11/2008	Yoshihara et al. ....	D14/138 AB
D584,277	S *	1/2009	Nishikawa .....	D14/138 AB
D585,410	S *	1/2009	Lee et al. ....	D14/138 AB
D585,412	S *	1/2009	Kim et al. ....	D14/138 AB
D586,313	S *	2/2009	Lu .....	D14/138 AB

D586,775	S *	2/2009	Lu .....	D14/138 AB
D586,802	S *	2/2009	Wun et al. ....	D14/345
D593,053	S *	5/2009	Kim et al. ....	D14/138 AB
D593,064	S *	5/2009	Sutherland et al. ...	D14/138 AB
D593,569	S *	6/2009	Wun et al. ....	D14/455
D593,981	S *	6/2009	Boucquey et al. ....	D14/138 AB
D595,258	S *	6/2009	Renwick et al. ....	D14/138 AB
D595,259	S *	6/2009	Renwick et al. ....	D14/138 AB
2008/0293459	A1 *	11/2008	Wang .....	455/575.3

**OTHER PUBLICATIONS**

Samsung Z510 telephone, announced 4th quarter 2005, [online], [site visited Jun. 16, 2009]. Available from Internet ,<URL: http://www.gsmarena.com>.\*

(Continued)

*Primary Examiner*—Jeffrey D Asch

(57) **CLAIM**

We claim the ornamental design for a hand-held electronic device, as shown and described.

**DESCRIPTION**

FIG. 1 is a front perspective view of a hand-held electronic device;

FIG. 2 is a back perspective view of a hand-held electronic device;

FIG. 3 is a front elevational view thereof;

FIG. 4 is a back elevational view thereof;

FIG. 5 is a right elevational view thereof;

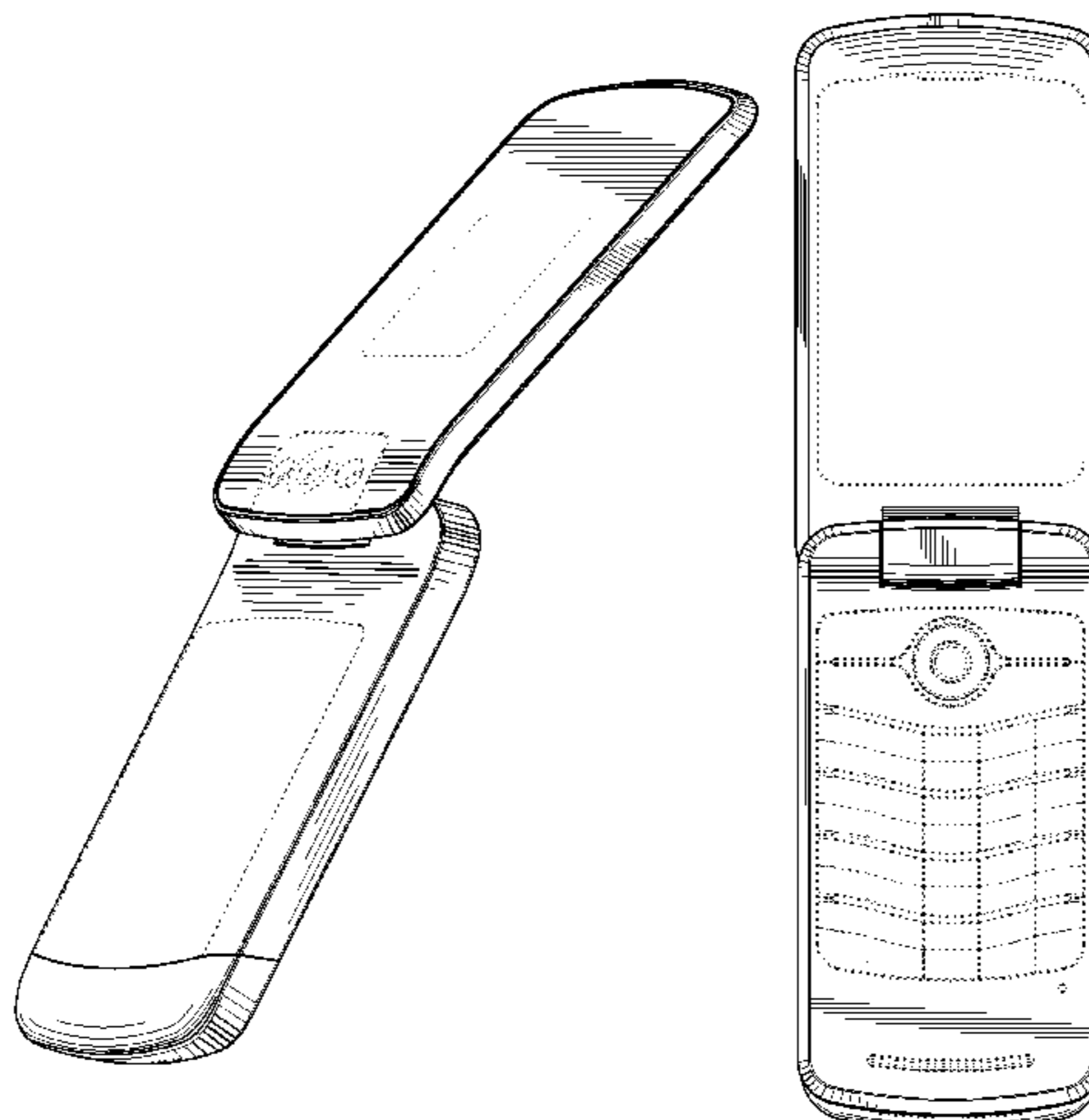
FIG. 6 is a left elevational view thereof;

FIG. 7 is a bottom plan view thereof; and,

FIG. 8 is a top plan view thereof.

The broken lines throughout the views, which are immediately adjacent to the shaded areas and define unshaded regions, represent the bounds of the claimed design, while all other broken lines are directed to environment and are for illustrative purposes only; the broken lines form no part of the claimed design.

**1 Claim, 6 Drawing Sheets**



OTHER PUBLICATIONS

LG U830 telephone, announced Oct. 2006, [online], [site visited Jun. 16, 2009]. Available from Internet ,<URL: <http://www.gsmarena.com>>.\*

Blackberry Pearl Flip 8100 telephone, announced Sep. 2006, [online], [site visited Jun. 16, 2009]. Available from Internet ,<URL: <http://www.gsmarena.com>>.\*

NEC e373 telephone, announced May 2006, [online], [site visited Jun. 16, 2009]. Available from Internet ,<URL: <http://www.gsmarena.com>>.\*

i-mate Ultimate 9150 telephone, announced Feb. 2007, [online], [site visited Jun. 16, 2009]. Available from Internet ,<URL: <http://www.gsmarena.com>>.\*

NEC e636 telephone, announced Feb. 2006, [online], [site visited Jun. 16, 2009]. Available from Internet ,<URL: <http://www.gsmarena.com>>.\*

\* cited by examiner

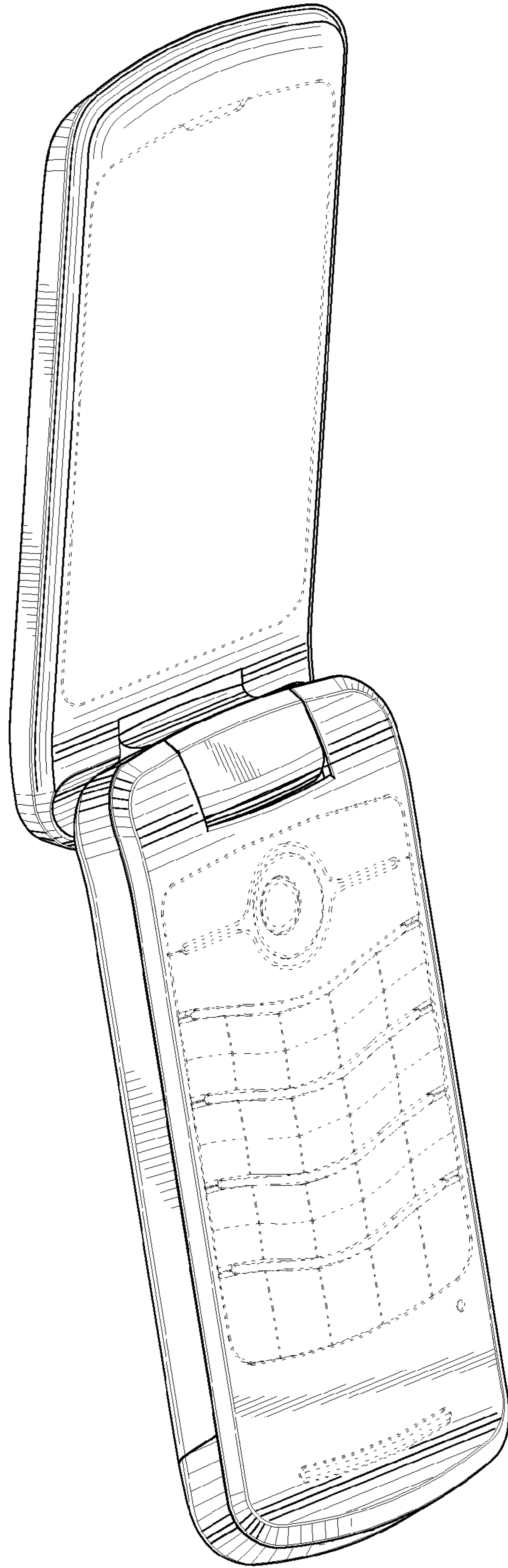


FIG.1

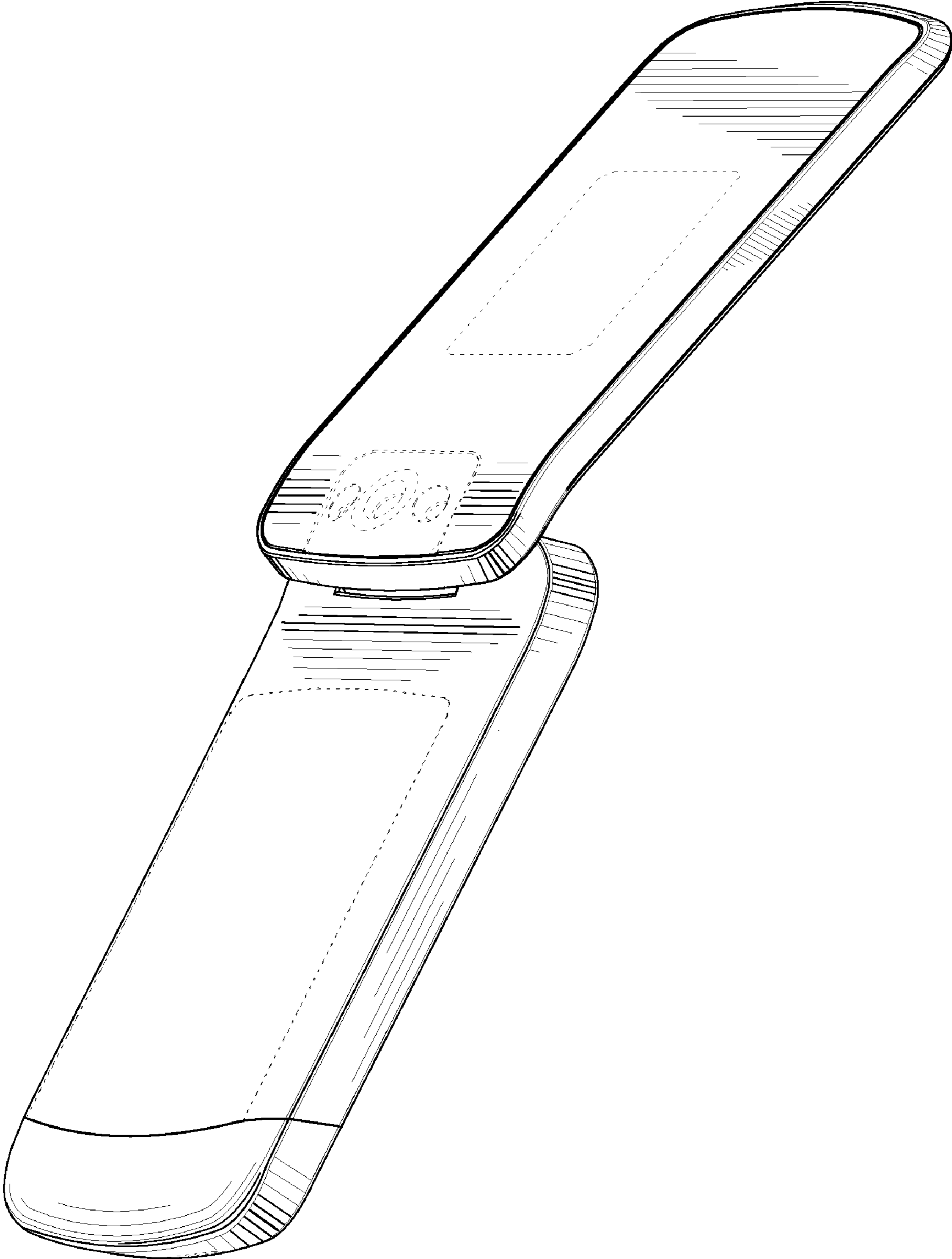


FIG.2

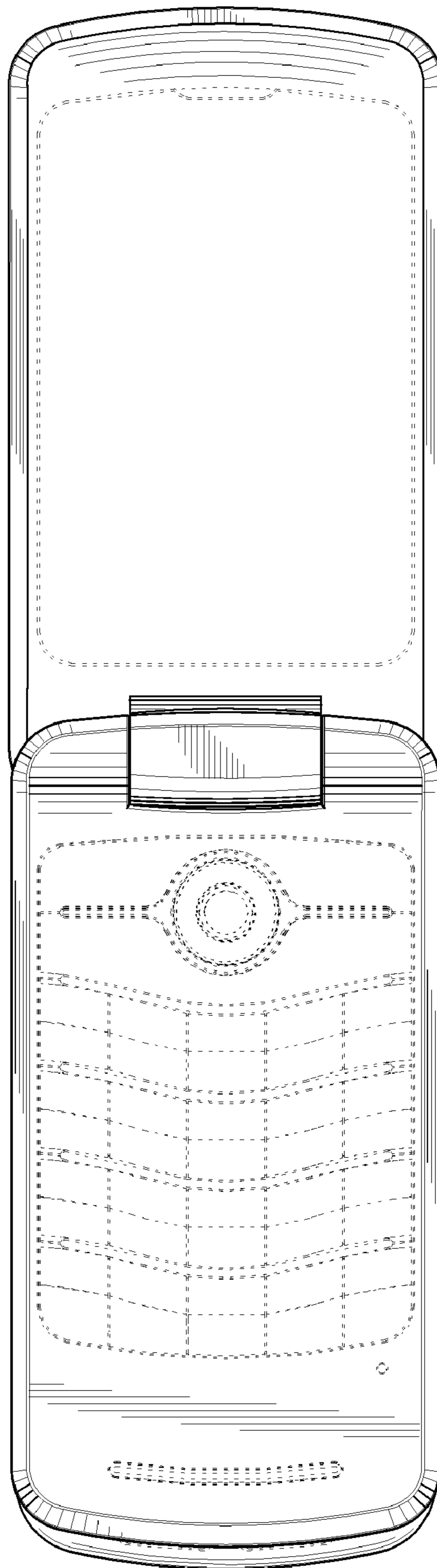


FIG.3



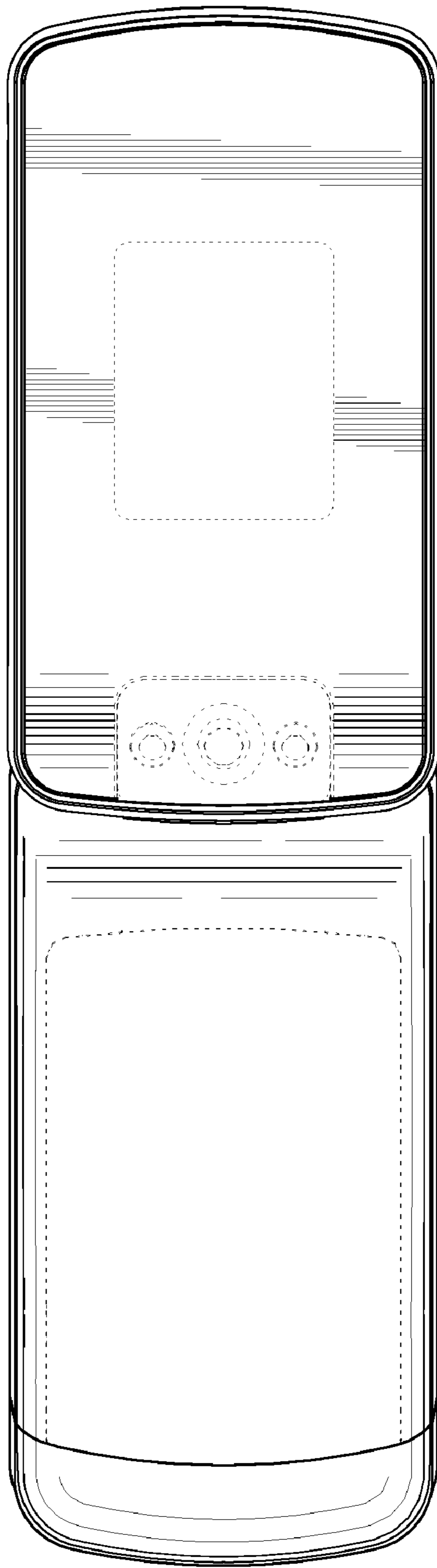


FIG.4

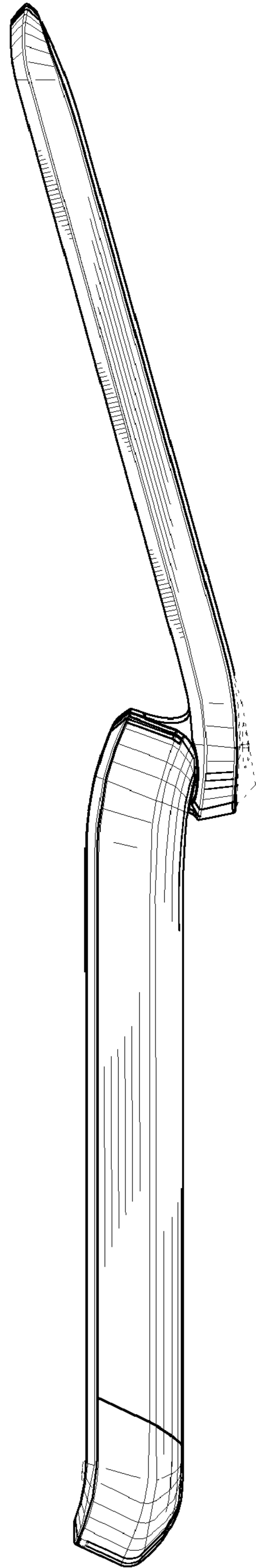


FIG. 5

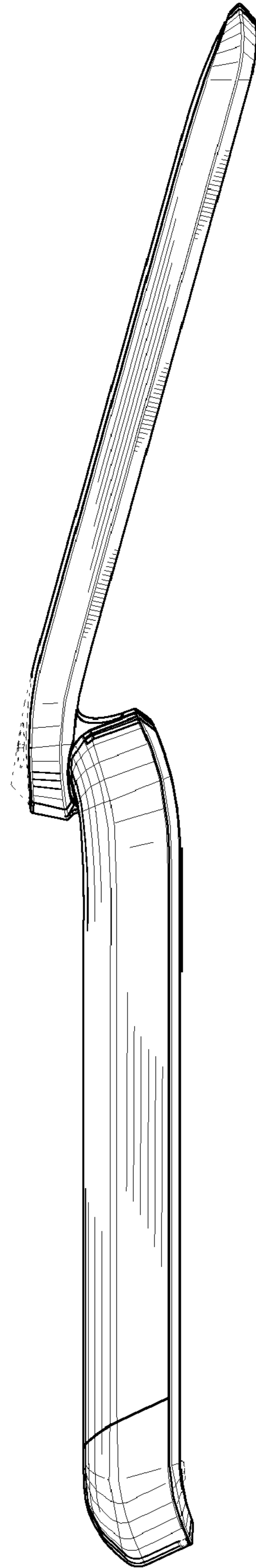


FIG. 6

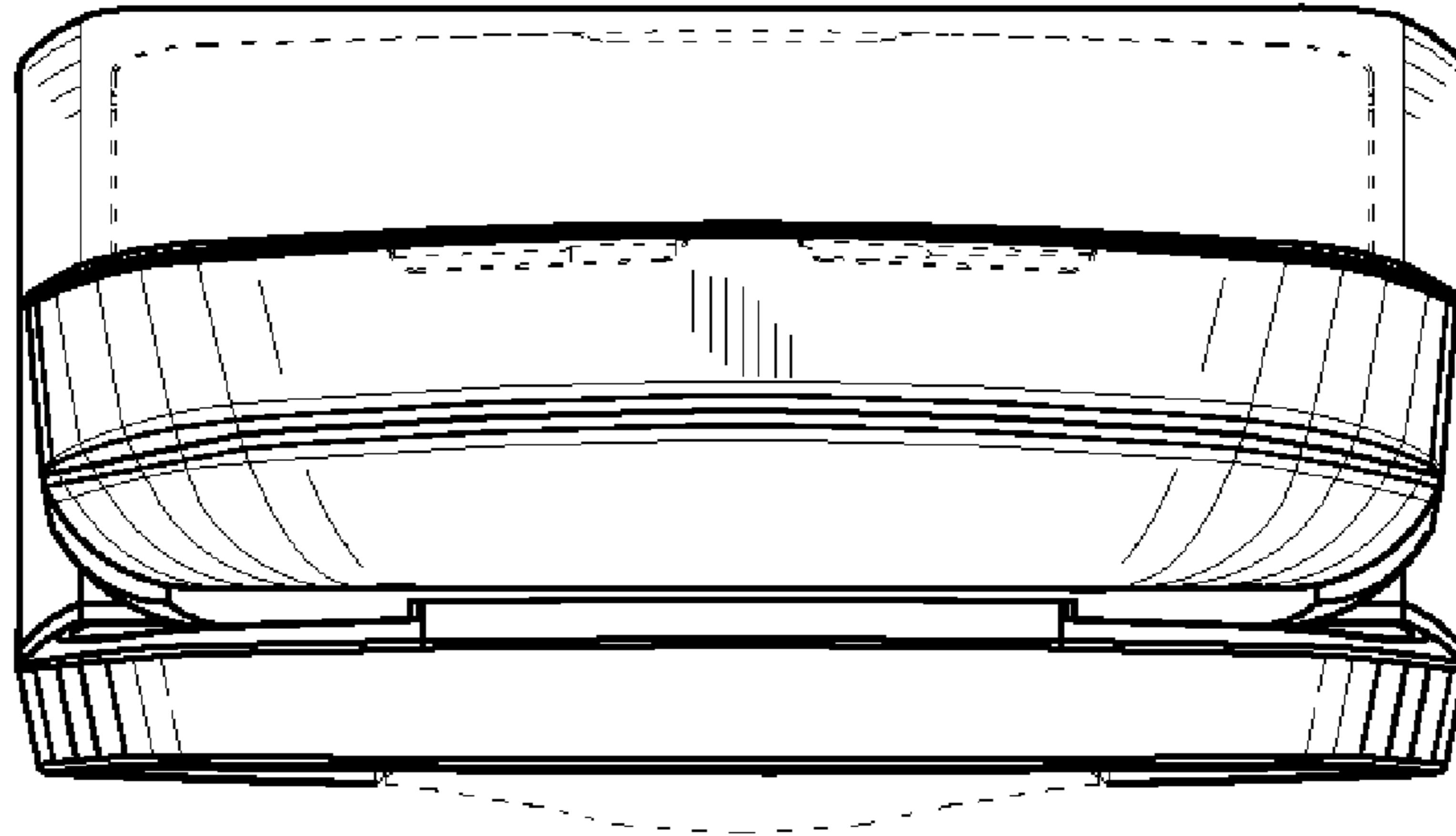


FIG. 7

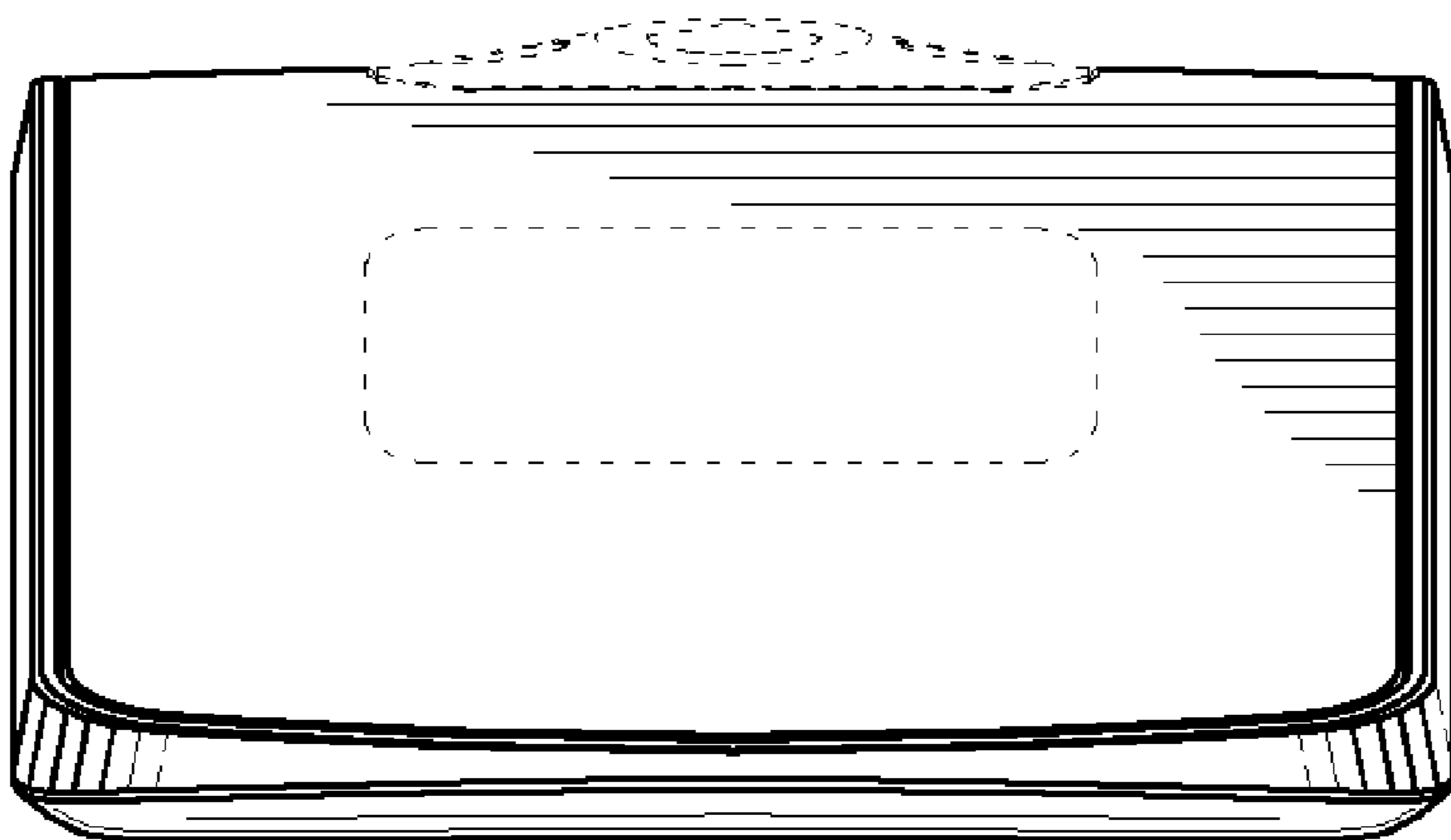


FIG. 8