



US00D606506S

(12) **United States Design Patent**  
**Choi et al.**

(10) **Patent No.:** **US D606,506 S**  
(45) **Date of Patent:** **\*\* Dec. 22, 2009**

(54) **MOBILE PHONE**

(75) Inventors: **Kwang-Ha Choi**, Seoul (KR);  
**Beom-Ku Han**, Seoul (KR);  
**Chang-Hwan Hwang**, Goyang-si (KR)

(73) Assignee: **Samsung Electronics Co., Ltd.**,  
Suwon-Si (KR)

(\*\*) Term: **14 Years**

(21) Appl. No.: **29/332,131**

(22) Filed: **Feb. 10, 2009**

(30) **Foreign Application Priority Data**

Dec. 9, 2008 (KR) ..... 30-2008-0053030

(51) **LOC (9) Cl.** ..... **14-03**

(52) **U.S. Cl.** ..... **D14/138 AD; D14/138 G**

(58) **Field of Classification Search** ..... D14/138 R,  
D14/138 AD, 138 AC, 138 C, 138 G, 191,  
D14/203.1–203.8, 496, 138 AA, 138 AB,  
D14/247–248, 137, 147, 218, 341–347; D10/65,  
D10/78, 104; D13/168; D18/7; 455/566,  
455/575.1, 575.3

See application file for complete search history.

(56) **References Cited**

**U.S. PATENT DOCUMENTS**

7,016,182 B2 \* 3/2006 Brandenburg et al. .. 361/679.06  
D558,720 S \* 1/2008 Lee et al. .... D14/138 AD  
D562,285 S \* 2/2008 Lim ..... D14/138 G  
D572,227 S \* 7/2008 Yoon et al. .... D14/138 G  
D577,353 S \* 9/2008 Kim et al. .... D14/138 AD  
D577,704 S \* 9/2008 Park et al. .... D14/138 AD  
D578,500 S \* 10/2008 Lee et al. .... D14/138 G  
D579,437 S \* 10/2008 Yoon ..... D14/138 G  
D579,898 S \* 11/2008 Lee et al. .... D14/138 G  
D579,902 S \* 11/2008 Kim et al. .... D14/138 AD  
D581,384 S \* 11/2008 Kim et al. .... D14/138 AD  
D583,342 S \* 12/2008 Kim et al. .... D14/138 G  
D584,272 S \* 1/2009 Chung et al. .... D14/138 G  
D585,040 S \* 1/2009 Kim et al. .... D14/138 G

D589,487 S \* 3/2009 Park et al. .... D14/138 AD  
D589,924 S \* 4/2009 Jung et al. .... D14/138 AD  
D591,252 S \* 4/2009 Kim et al. .... D14/138 G  
D592,212 S \* 5/2009 Hamada et al. .... D14/346  
D592,628 S \* 5/2009 Kim et al. .... D14/138 AD  
D593,059 S \* 5/2009 Kim et al. .... D14/138 G  
D594,840 S \* 6/2009 Kim et al. .... D14/138 G  
2003/0125094 A1 \* 7/2003 Hyun et al. .... 455/566  
2008/0039157 A1 \* 2/2008 Park ..... 455/575.1  
2008/0051161 A1 \* 2/2008 Tashiro ..... 455/575.1  
2008/0176604 A1 \* 7/2008 Kim ..... 455/566  
2008/0227501 A1 \* 9/2008 Joo et al. .... 455/566

**OTHER PUBLICATIONS**

LG KF700, announced Feb. 2008, [online], [retrieved on Mar. 21, 2008 & May 14, 2008]. Retrieved from Internet, <URL: <http://www.gsmarena.com>>.\*

Samsung A867 Eternity, announced Nov. 2008, [online], [retrieved on Nov. 18, 2008]. Retrieved from Internet, <URL: <http://www.gsmarena.com>>.\*

\* cited by examiner

*Primary Examiner*—Jeffrey D Asch

*Assistant Examiner*—Bridget L Eland

(74) *Attorney, Agent, or Firm*—Staas & Halsey LLP

(57) **CLAIM**

The ornamental design for a mobile phone, as shown and described.

**DESCRIPTION**

FIG. 1 is a front perspective view of a mobile phone;  
FIG. 2 is a front view of the mobile phone of FIG. 1;  
FIG. 3 is a rear view of the mobile phone of FIG. 1;  
FIG. 4 is a left-side view of the mobile phone of FIG. 1;  
FIG. 5 is a right-side view of the mobile phone of FIG. 1;  
FIG. 6 is a top plan view of the mobile phone of FIG. 1;  
FIG. 7 is a bottom plan view of the mobile phone of FIG. 1;  
and,  
FIG. 8 is an open slid-up view of the mobile phone of FIG. 1.

**1 Claim, 5 Drawing Sheets**

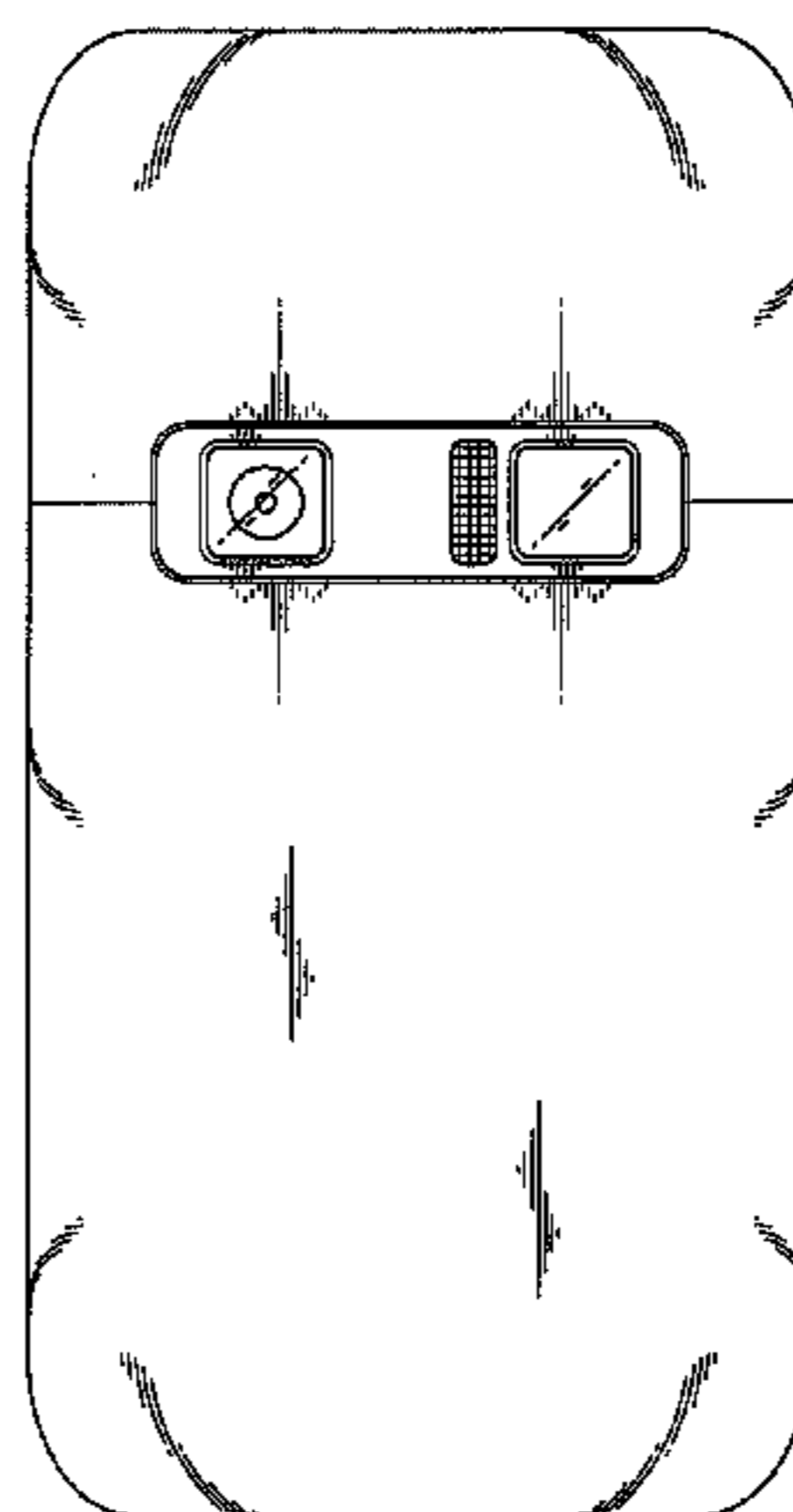
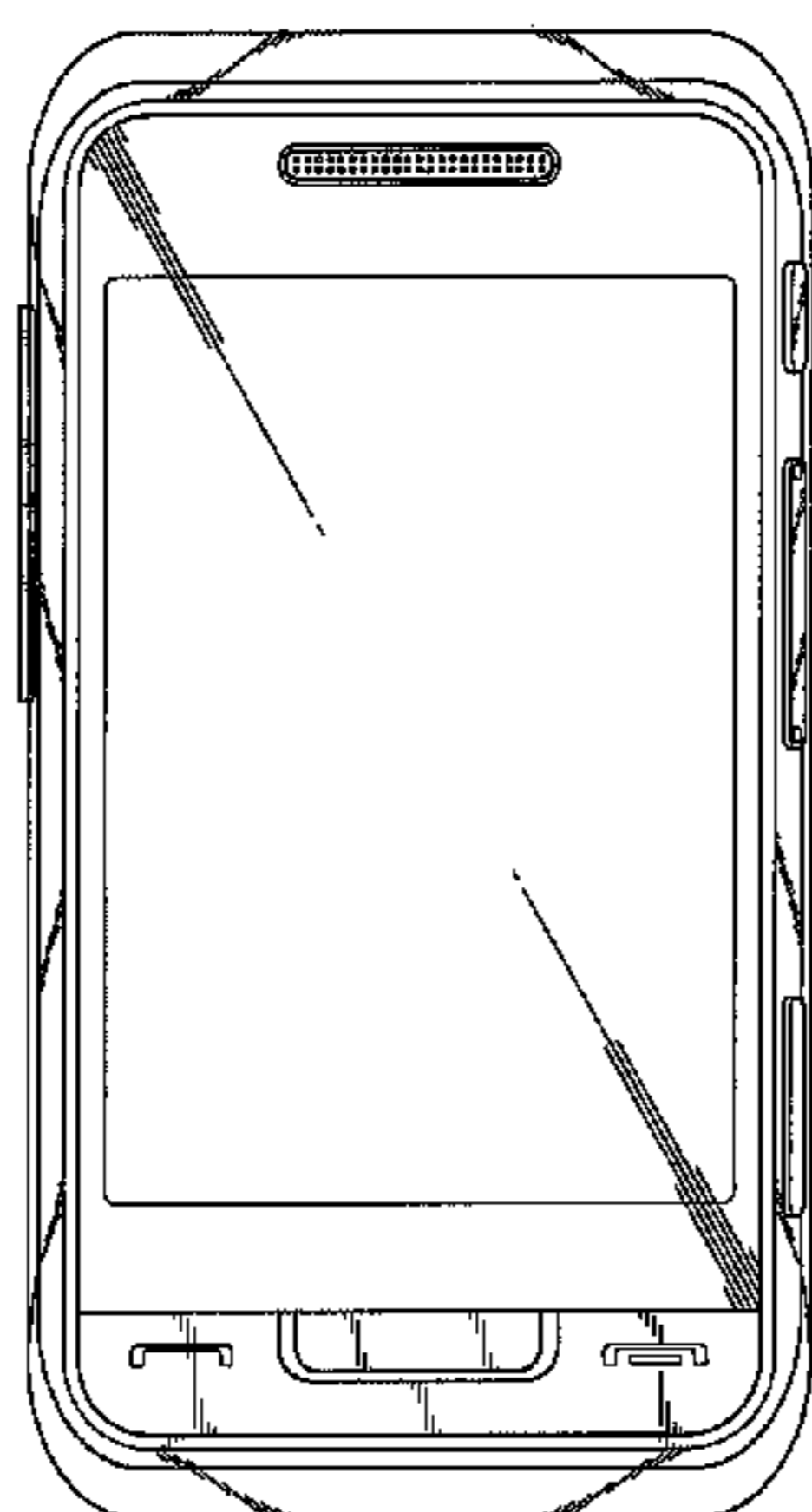


FIG. 1

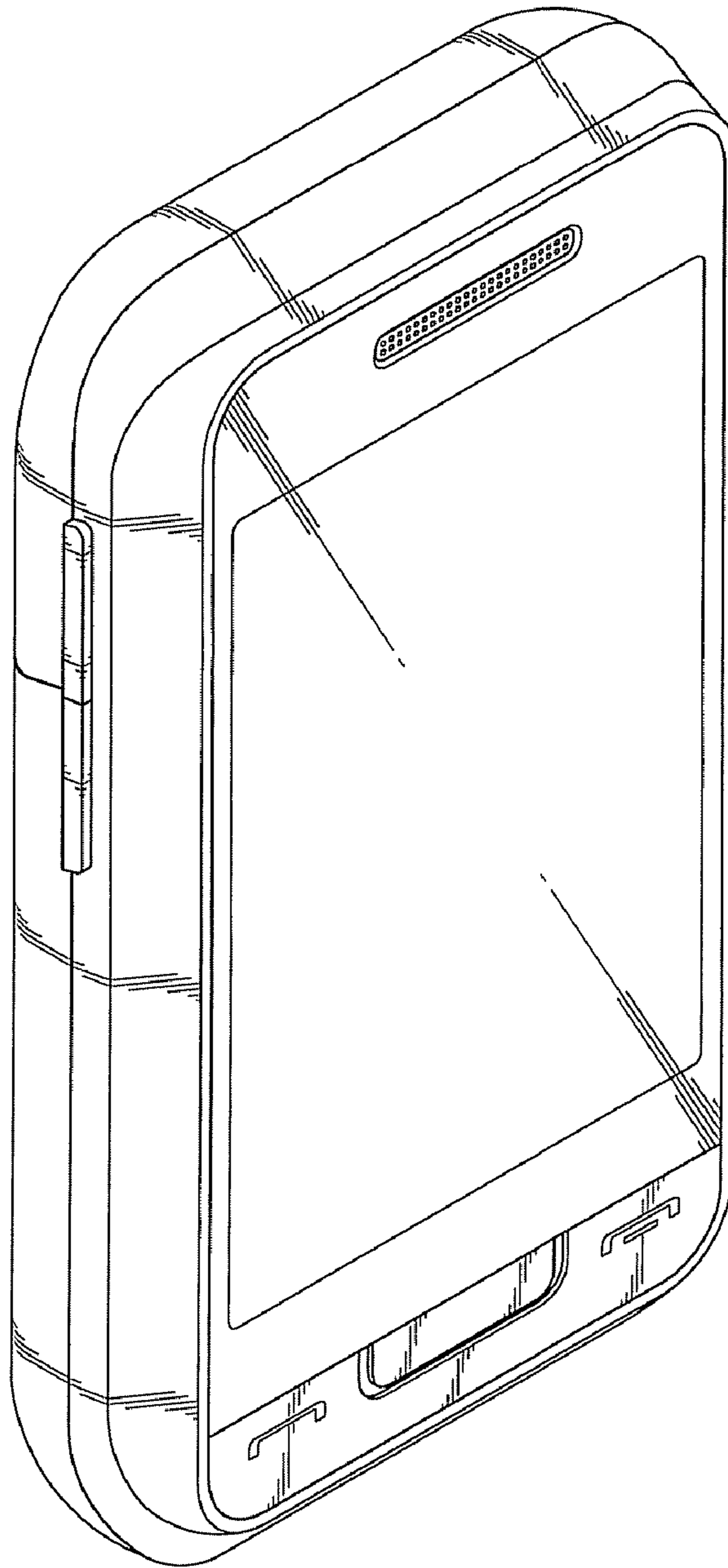


FIG.2

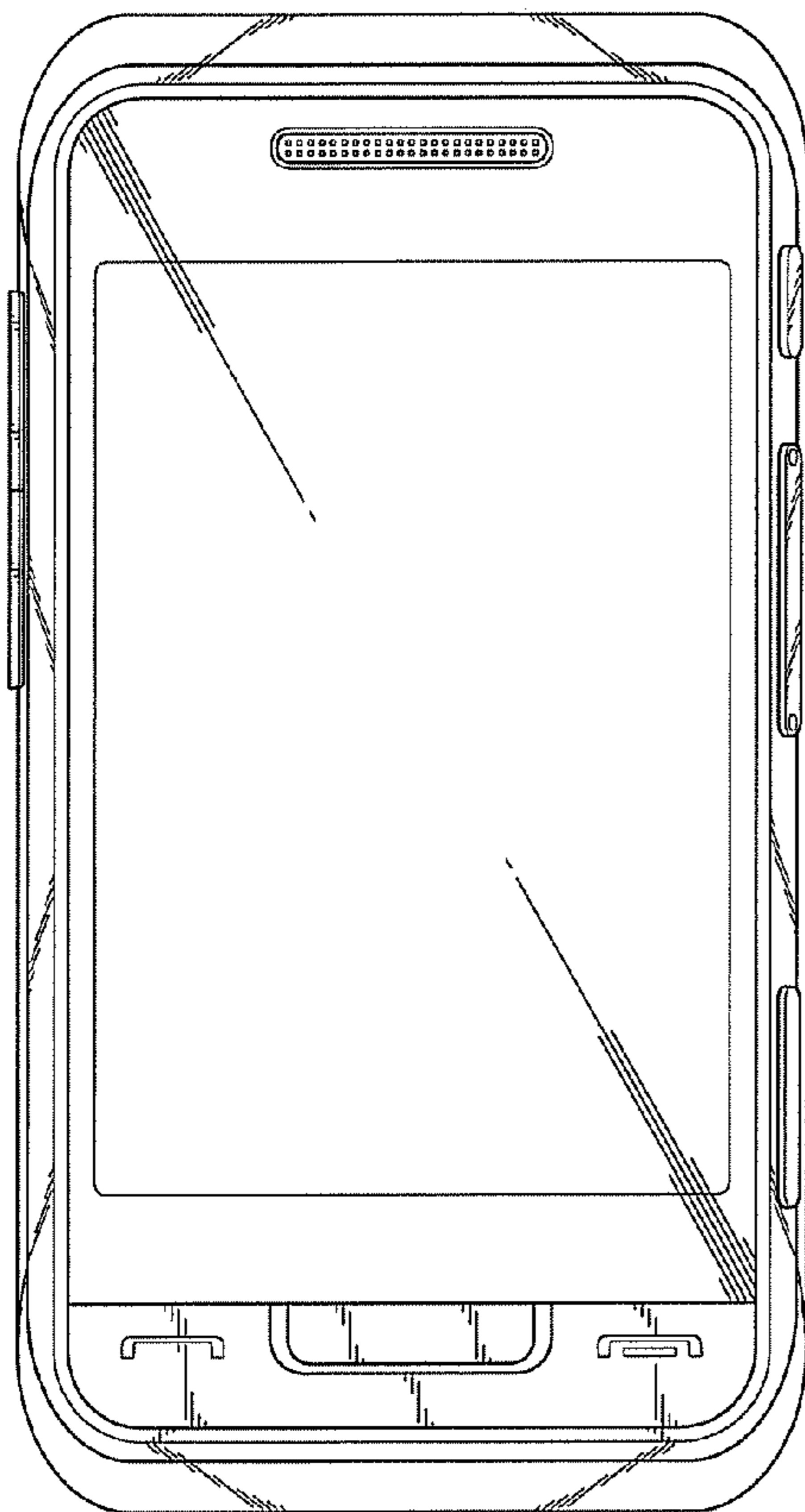


FIG.3

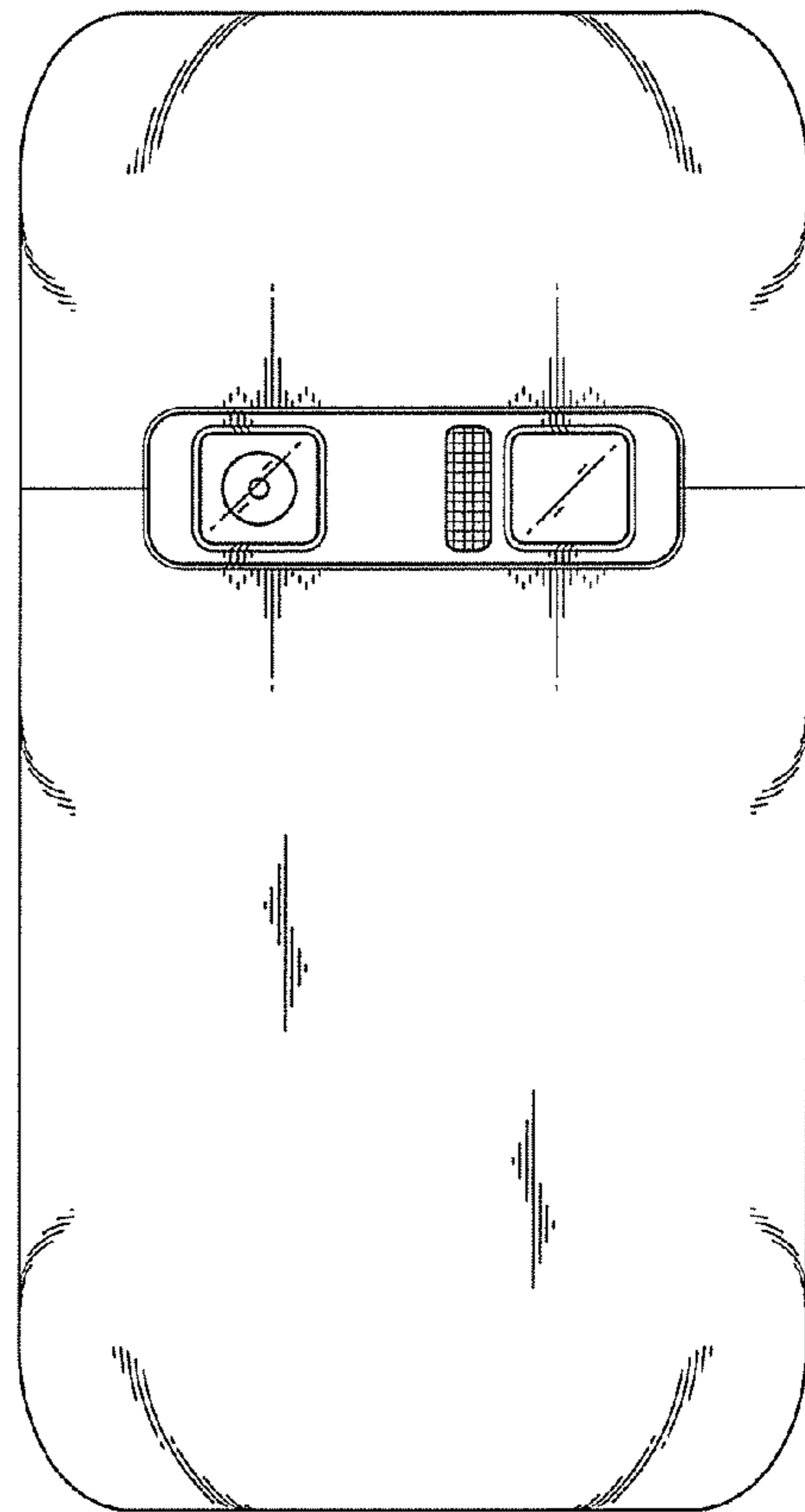


FIG.4

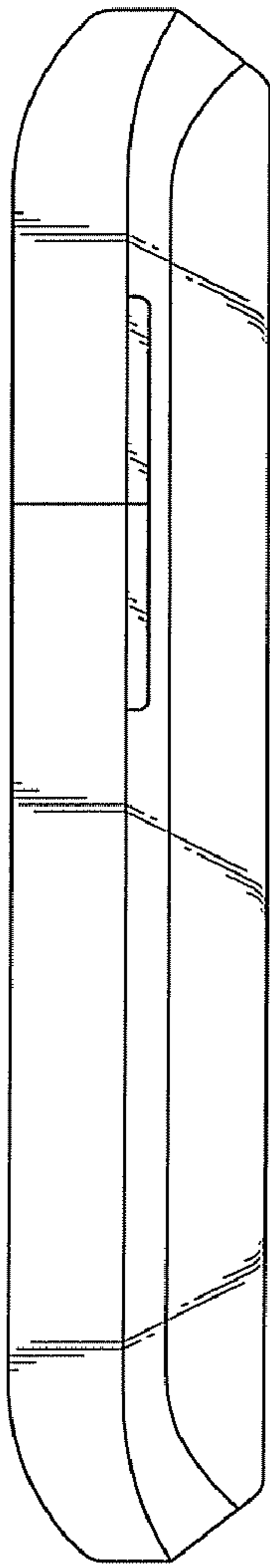


FIG.5

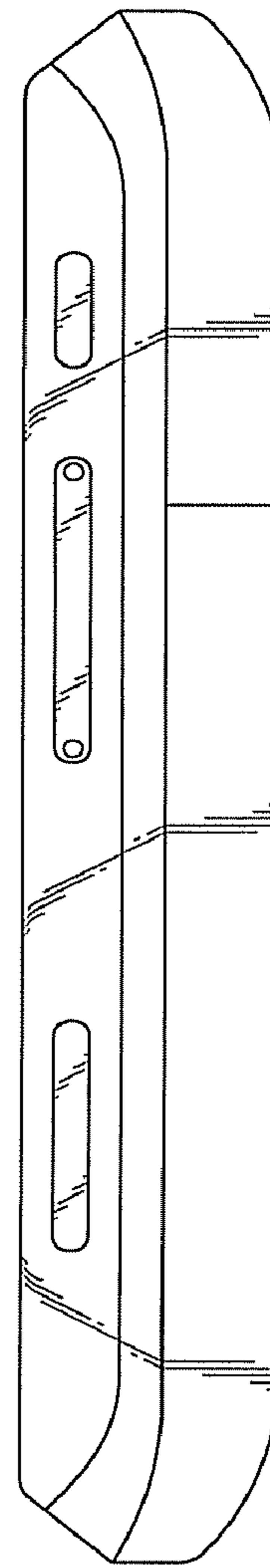


FIG.6

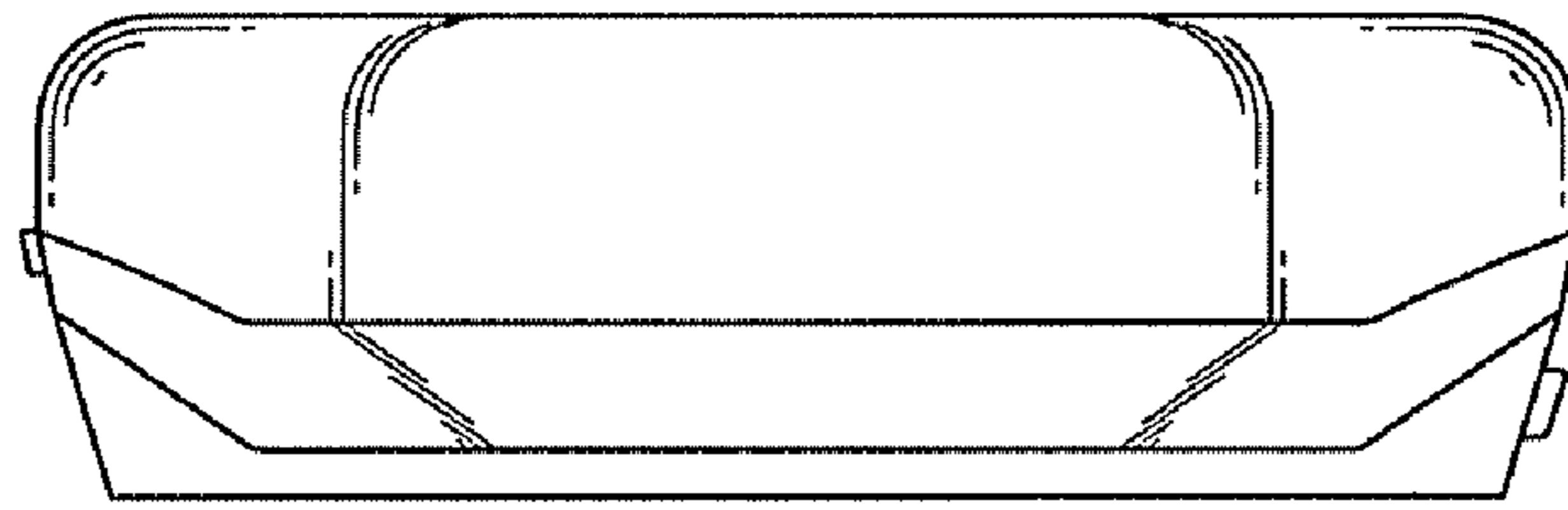


FIG.7

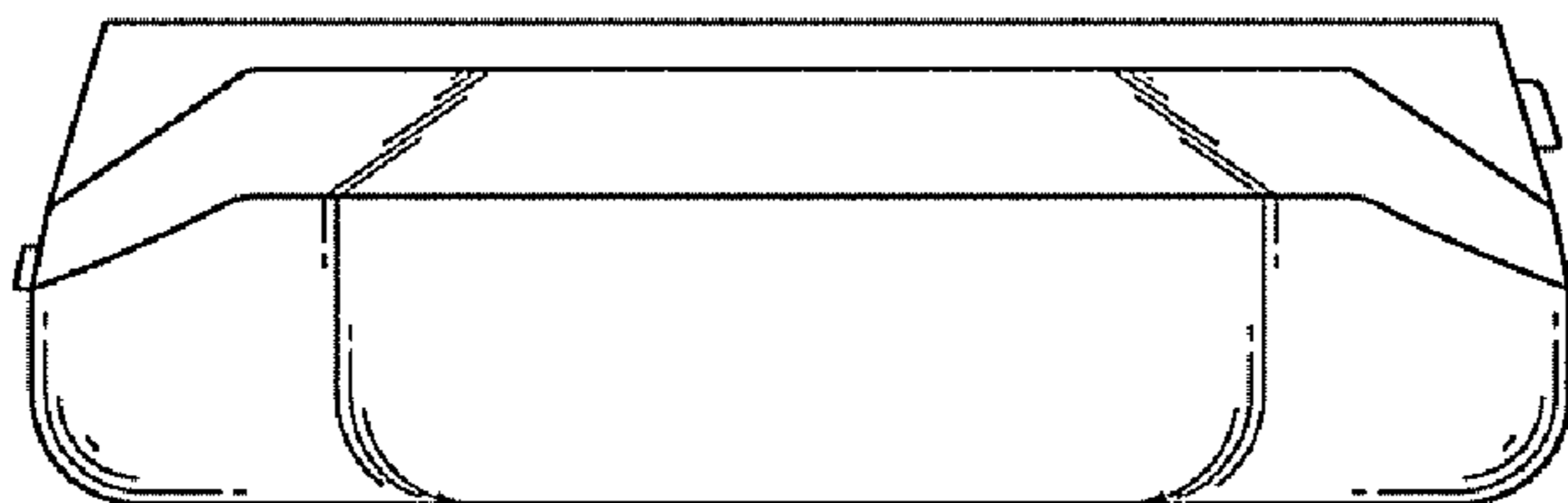


FIG.8

