



US00D606504S

(12) **United States Design Patent**  
**Lee**

(10) **Patent No.:** **US D606,504 S**  
(45) **Date of Patent:** **\*\* Dec. 22, 2009**

(54) **DVD PLAYER**

(75) Inventor: **Chul Lee**, Seoul (KR)

(73) Assignee: **LG Electronics Inc.**, Seoul (KR)

(\*\*) Term: **14 Years**

(21) Appl. No.: **29/271,377**

(22) Filed: **Jan. 18, 2007**

(30) **Foreign Application Priority Data**

Jul. 19, 2006 (KR) ..... 30-2006-0030305

(51) **LOC (9) Cl.** ..... **14-03**

(52) **U.S. Cl.** ..... **D14/132**

(58) **Field of Classification Search** ..... D14/125-134,  
D14/239, 371, 136, 374-377, 440, 450, 448,  
D14/336, 342; 312/7.2; 348/836, 838, 180,  
348/184, 325, 739; 341/12; 248/917-924,  
248/465; 345/104, 133, 156, 168, 87, 173;  
720/605, 669, 600, 655; 369/99, 197; 455/344,  
455/347; D21/329, 515, 577, 622, 333, 433,  
D21/448, 452, 450, 331; D6/477, 479, 300;  
273/148 B; 446/484, 175, 356; D10/15,  
D10/26

See application file for complete search history.

(56) **References Cited**

**U.S. PATENT DOCUMENTS**

D447,738 S \* 9/2001 Usami et al. .... D14/501

D535,955 S \* 1/2007 Peng ..... D14/129  
D568,271 S \* 5/2008 Lee ..... D14/132  
D568,274 S \* 5/2008 Ryu ..... D14/132  
2004/0218517 A1\* 11/2004 Yano et al. .... 369/292  
2005/0025466 A1\* 2/2005 Yen et al. .... 386/125

\* cited by examiner

*Primary Examiner*—Raphael Barkai

(74) *Attorney, Agent, or Firm*—Birch, Stewart, Kolasch & Birch, LLP

(57) **CLAIM**

The ornamental design for a DVD player, as shown and described.

**DESCRIPTION**

FIG. 1 is a perspective view of a DVD player showing my new design;

FIG. 2 is a front view thereof;

FIG. 3 is a rear view thereof;

FIG. 4 is a left side view thereof;

FIG. 5 is a right side view thereof;

FIG. 6 is a top plan view thereof;

FIG. 7 is a bottom plan view thereof; and,

FIG. 8 is a perspective view illustrating an opened state thereof.

**1 Claim, 5 Drawing Sheets**

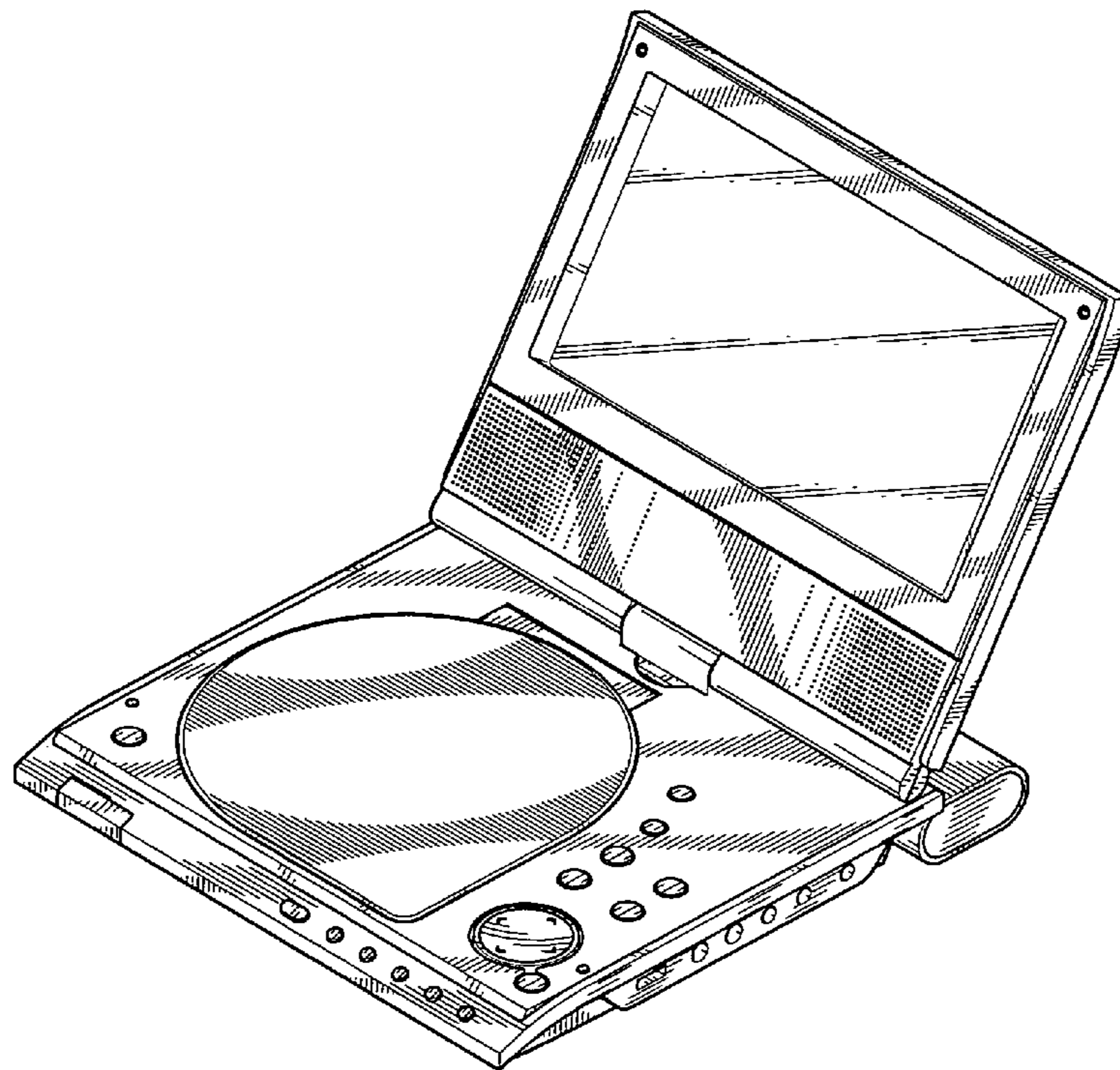


FIG. 1

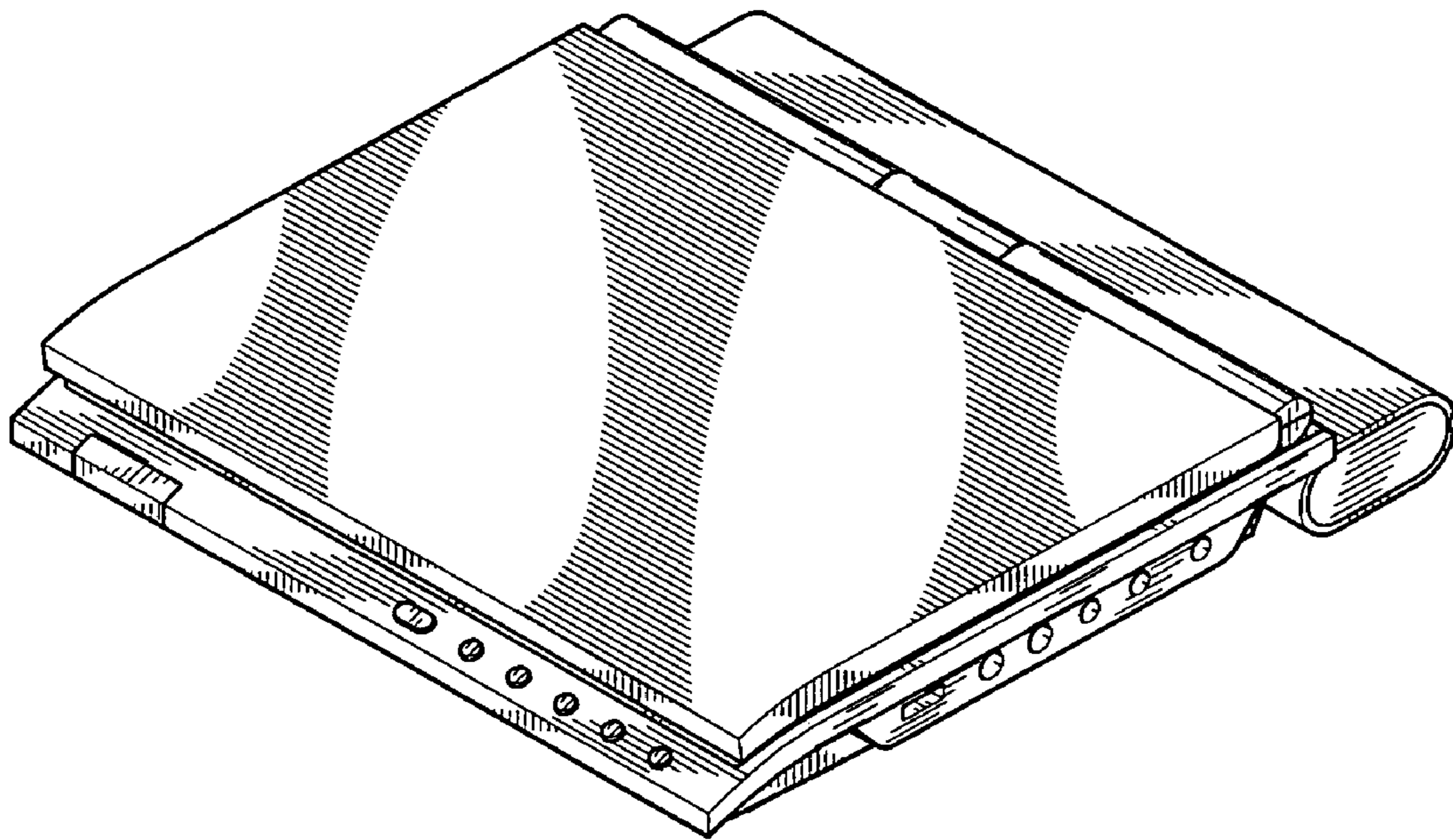


FIG. 2

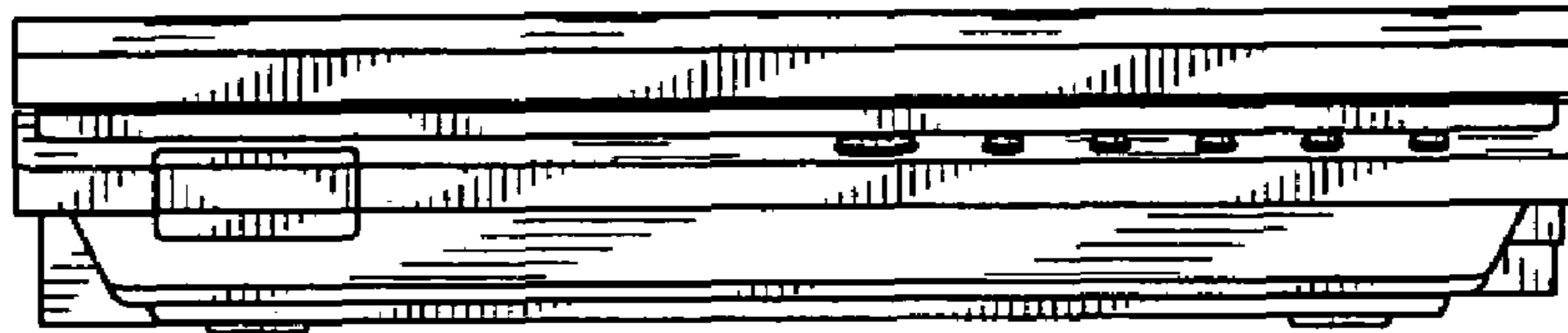


FIG. 3



FIG. 4



FIG. 5

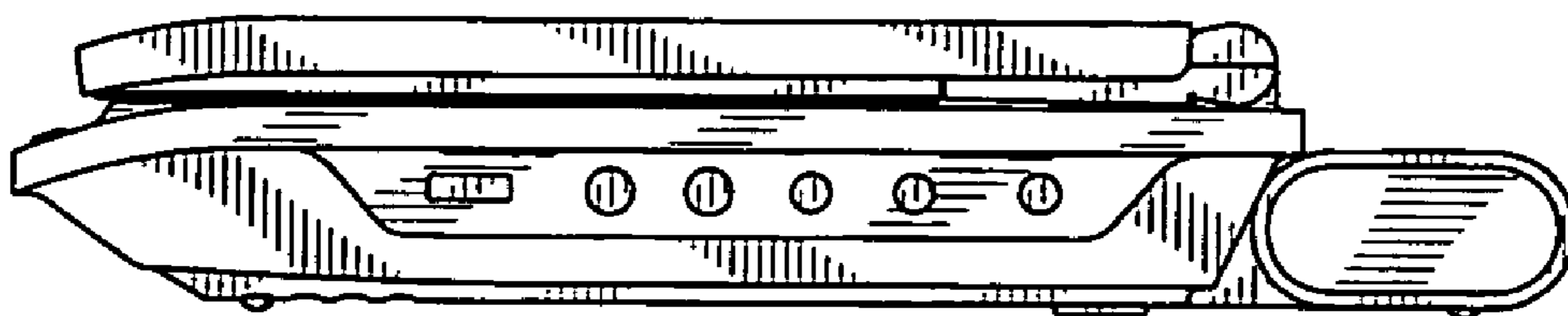


FIG. 6

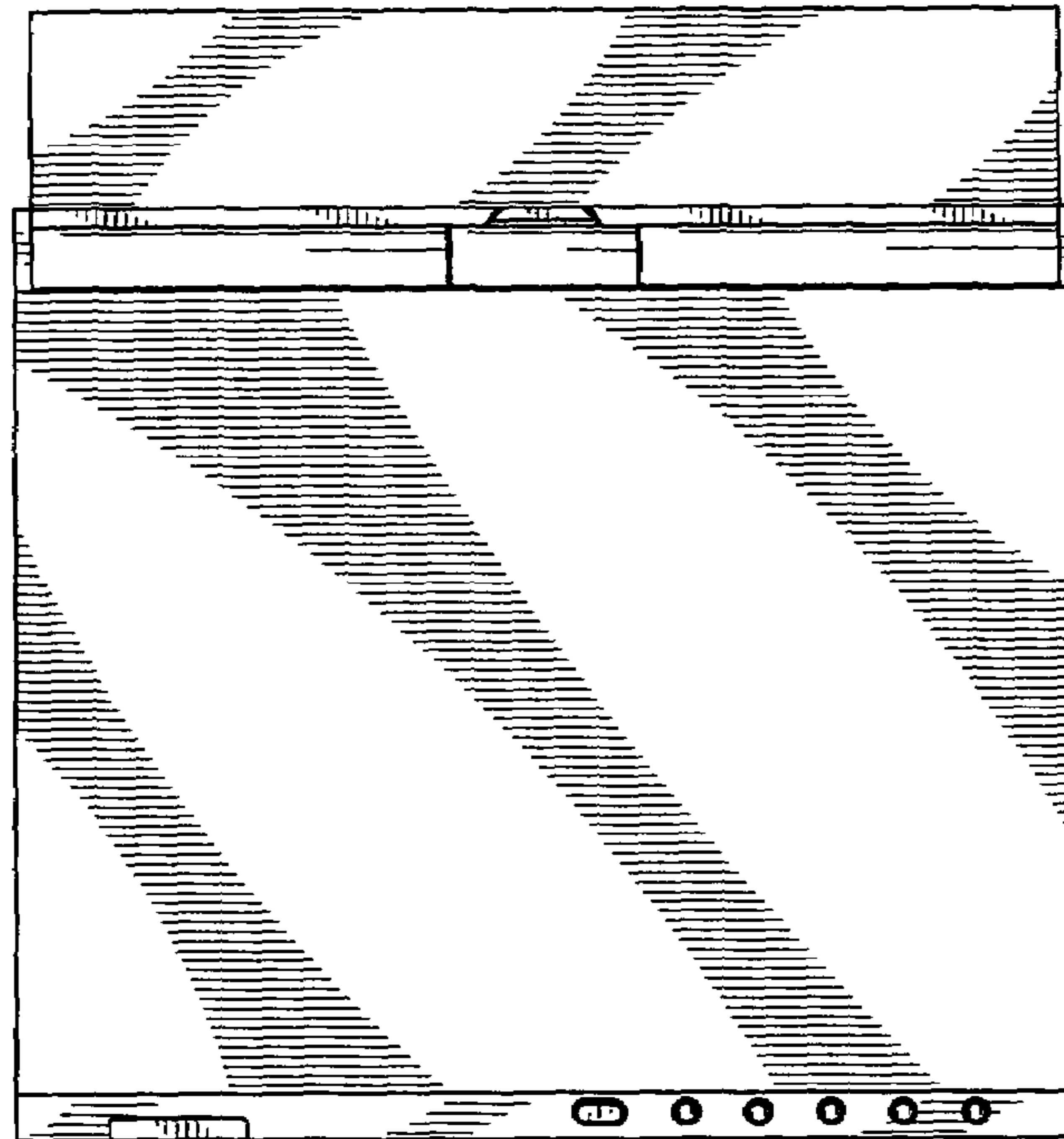


FIG. 7

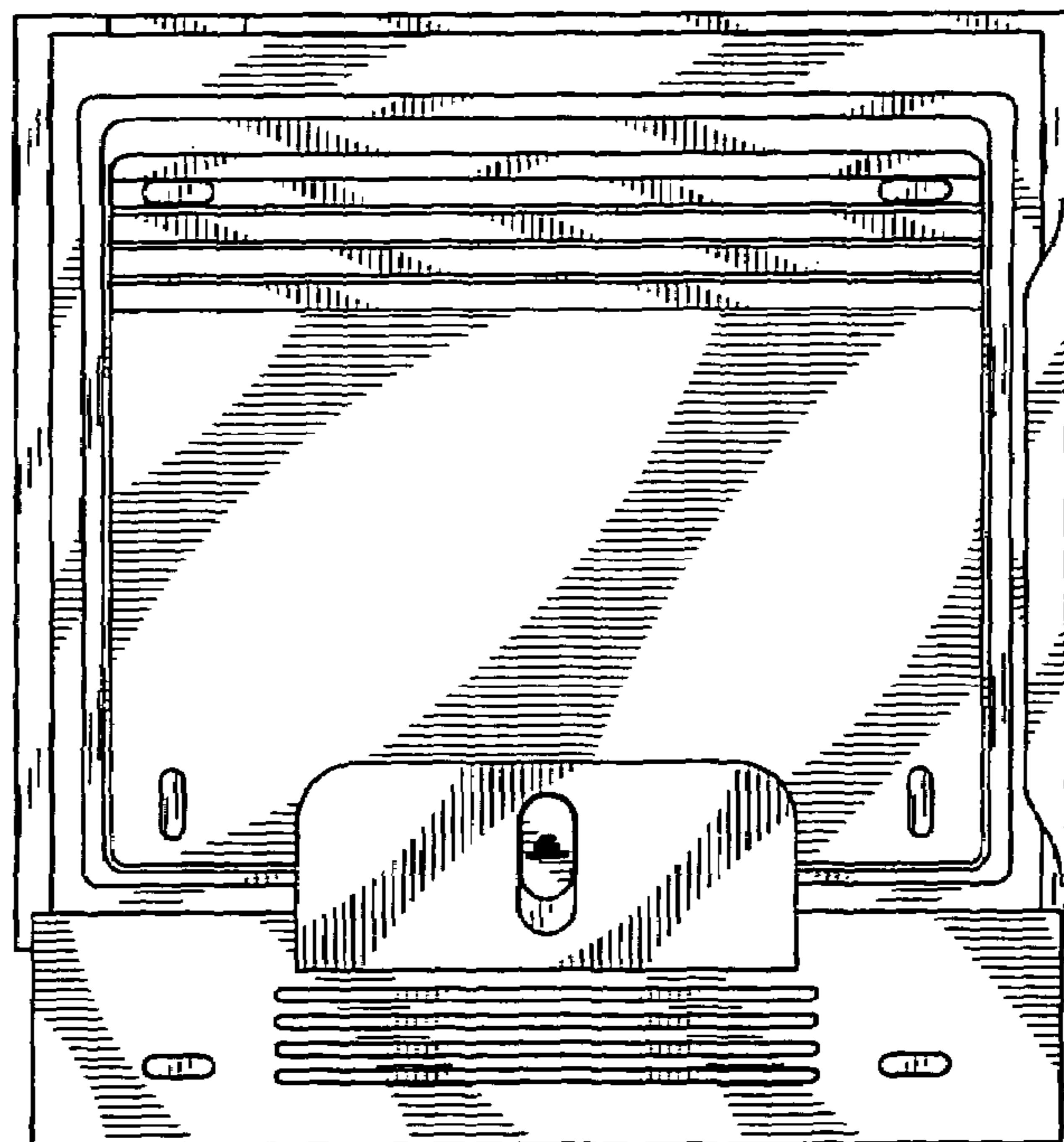




FIG. 8

