



US00D606502S

(12) **United States Design Patent**
Chen et al.

(10) **Patent No.:** **US D606,502 S**

(45) **Date of Patent:** **** Dec. 22, 2009**

(54) **HEAT DISSIPATING UNIT**

(75) Inventors: **Bishou Chen**, Shanghai (CN); **Yinghua Wang**, Shanghai (CN); **Peng Wang**, Shanghai (CN); **Sheng Li**, Shanghai (CN); **Xiaodong Gu**, Shanghai (CN)

(73) Assignees: **Shanghai Sansi Technology Co., Ltd**, Shanghai (CN); **Shanghai Sansi Electronics Engineering Co., Ltd**, Shanghai (CN)

(**) Term: **14 Years**

(21) Appl. No.: **29/326,900**

(22) Filed: **Oct. 27, 2008**

(51) **LOC (9) Cl.** **13-03**

(52) **U.S. Cl.** **D13/179**

(58) **Field of Classification Search** D13/179;
165/80.3, 104.33, 151, 122, 185; 257/706,
257/707, 718-722; 361/687, 695, 697, 700,
361/702, 704, 709, 710, 711, 719

See application file for complete search history.

(56) **References Cited**

U.S. PATENT DOCUMENTS

6,330,908 B1 * 12/2001 Lee et al. 165/185

6,557,626 B1 * 5/2003 O'Sullivan et al. 165/121

D481,688 S * 11/2003 Lee et al. D13/179
7,038,913 B2 * 5/2006 Lee et al. 361/709
2004/0226690 A1 * 11/2004 Lee et al. 165/80.2
2006/0060332 A1 * 3/2006 Wang et al. 165/104.33
2007/0253202 A1 * 11/2007 Wu et al. 362/294

* cited by examiner

Primary Examiner—Selina Sikder

(74) *Attorney, Agent, or Firm*—Sughrue Mion, PLLC

(57) **CLAIM**

The ornamental design for a heat dissipating unit, as shown and described.

DESCRIPTION

FIG. 1 is a perspective view of a heat dissipating unit showing my new design;

FIG. 2 is a front elevational view thereof;

FIG. 3 is a rear elevational view thereof;

FIG. 4 is a left-side, elevational view thereof;

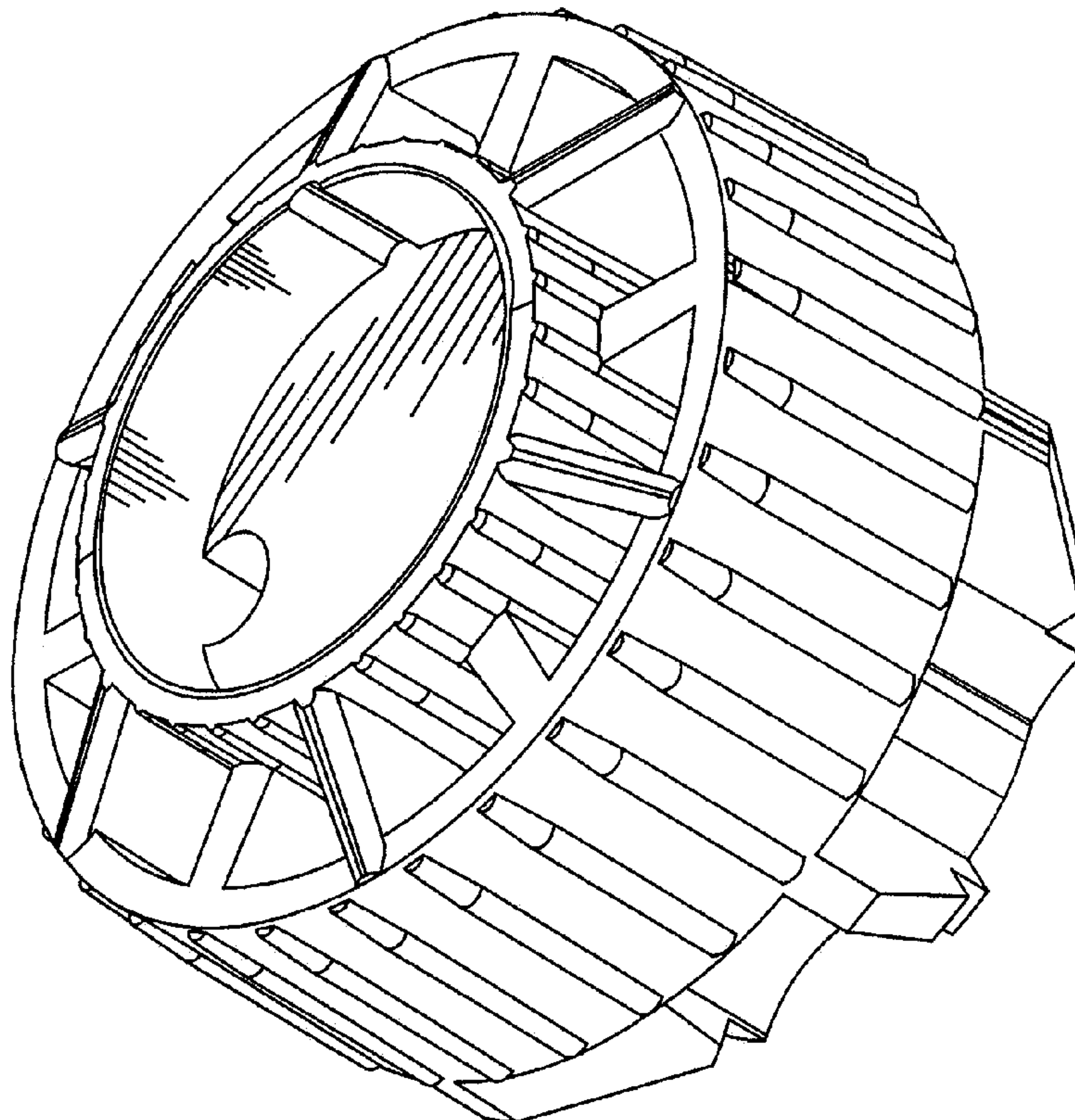
FIG. 5 is a right-side, elevational view thereof;

FIG. 6 is a top plan view thereof; and,

FIG. 7 is a bottom plan view thereof.

The broken line showing of portion of the heat dissipating unit is for illustrative purpose only and forms no part of the claimed design.

1 Claim, 7 Drawing Sheets



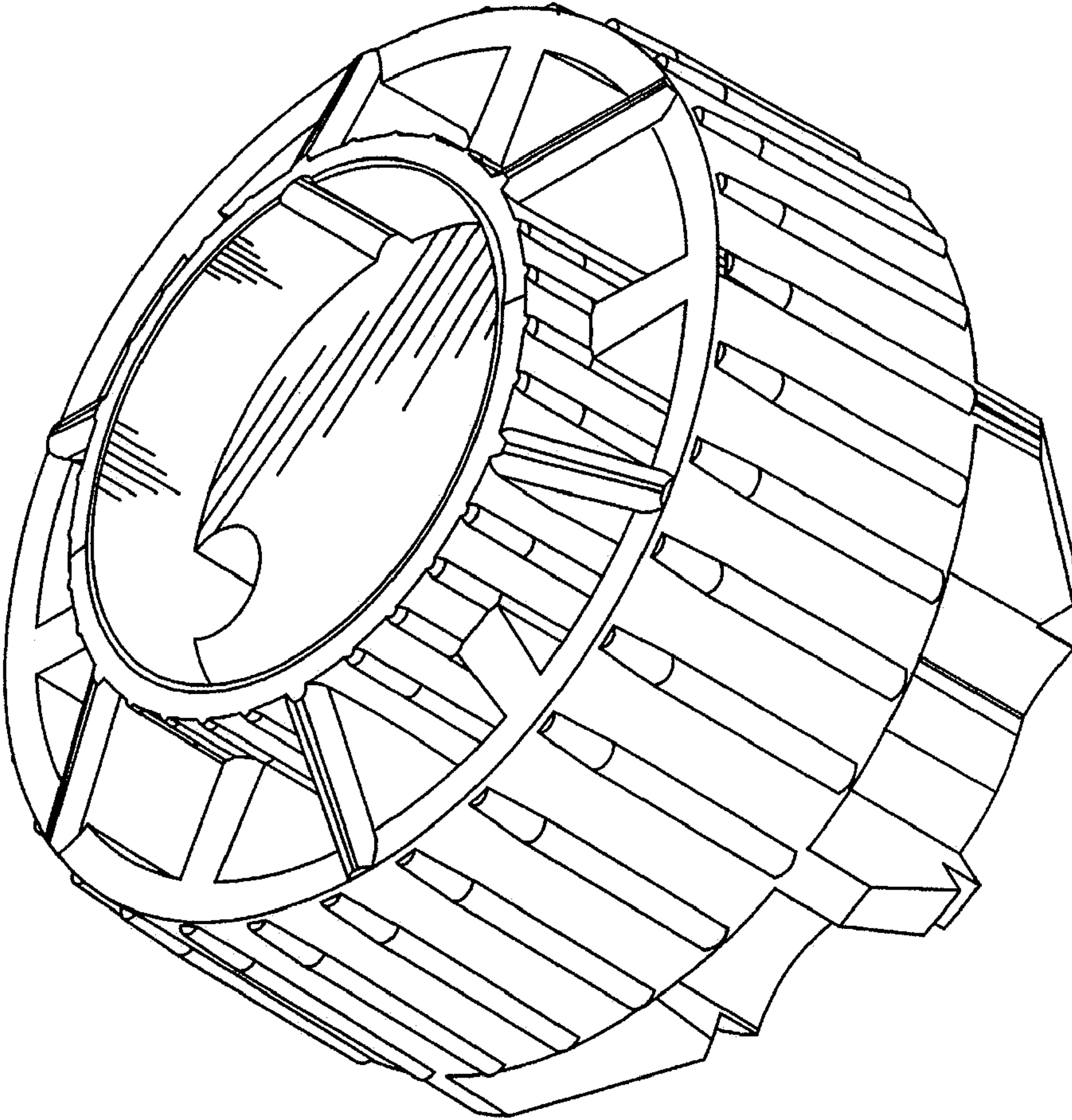


FIG.1

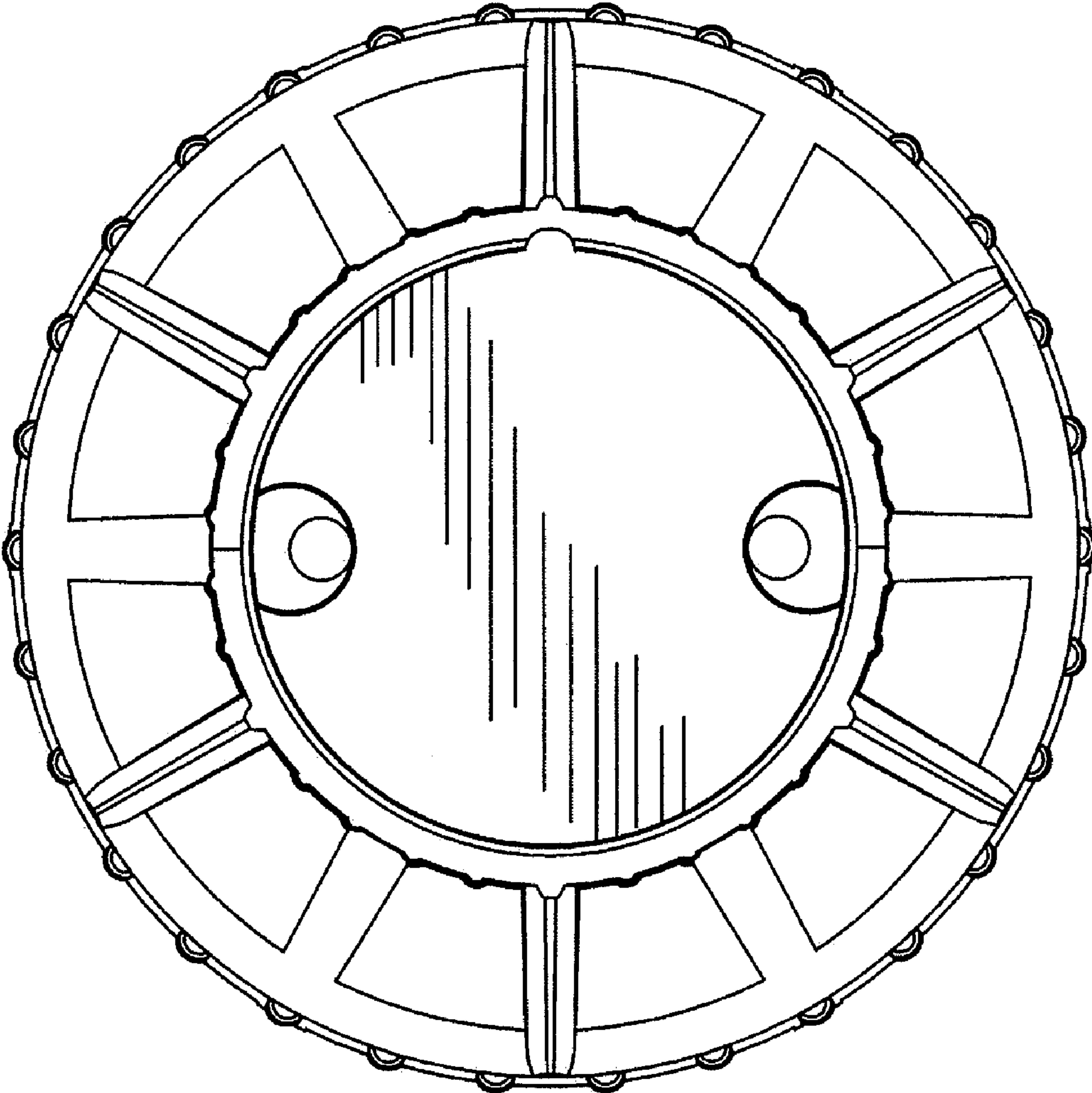


FIG.2

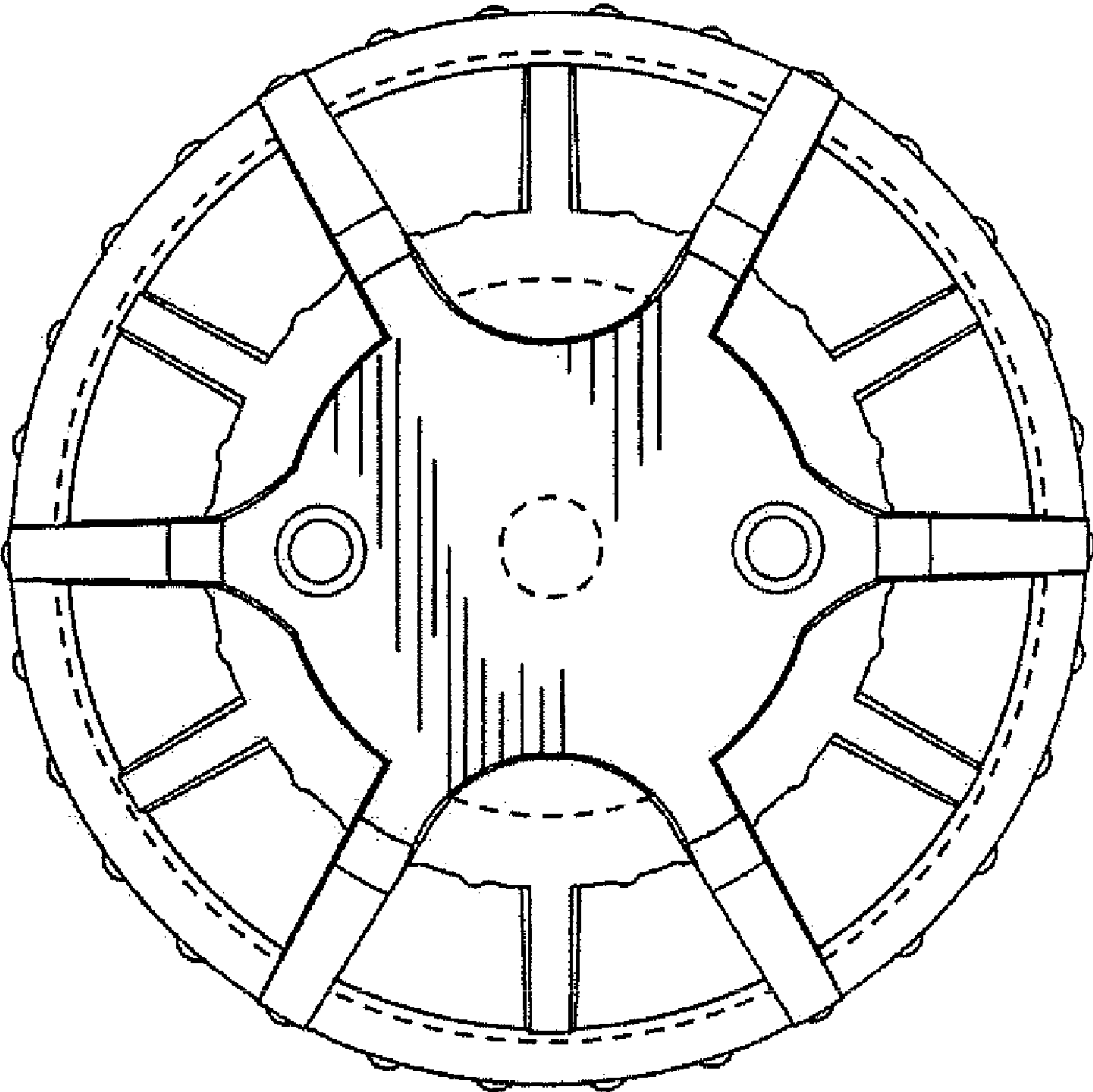


FIG.3

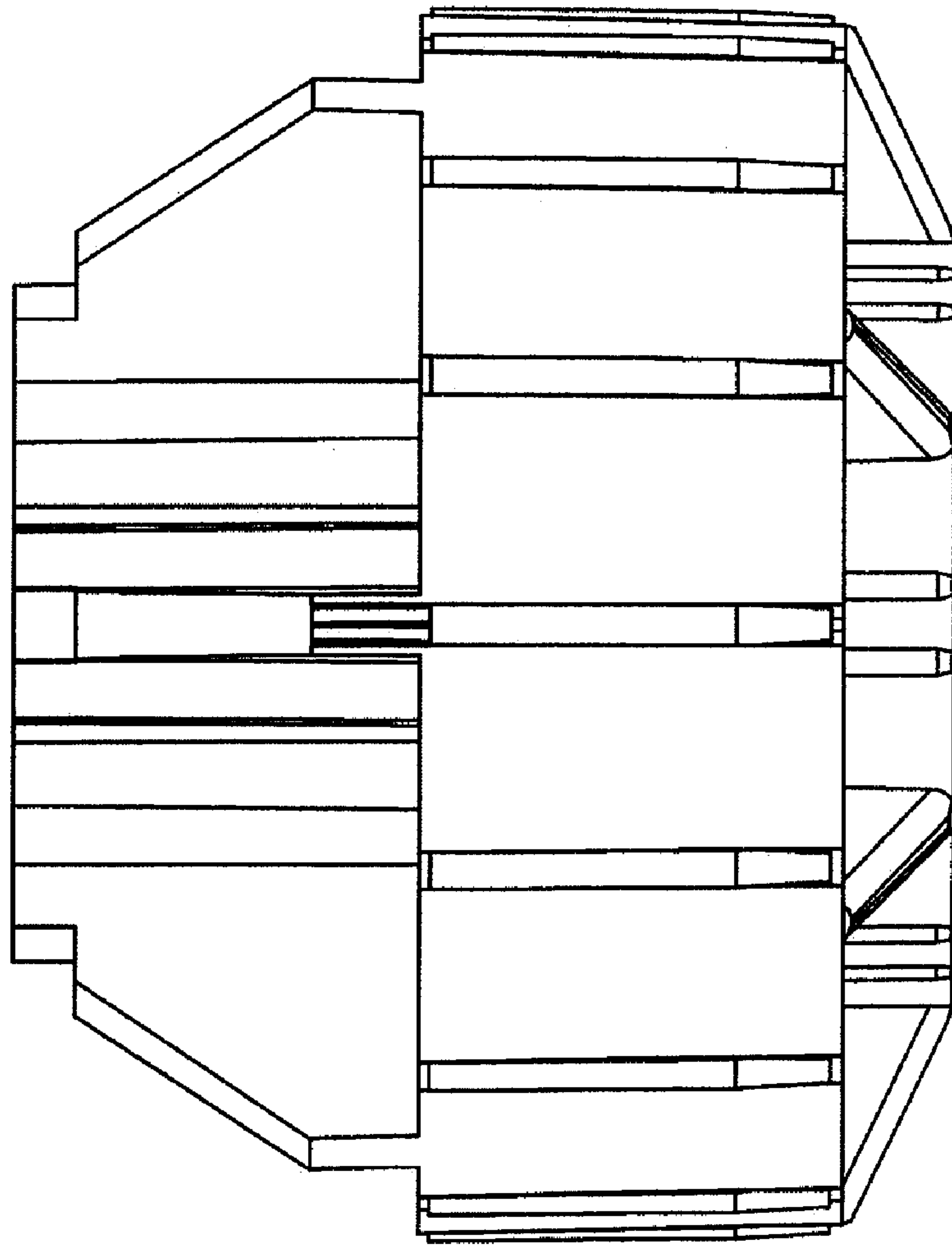


FIG.4

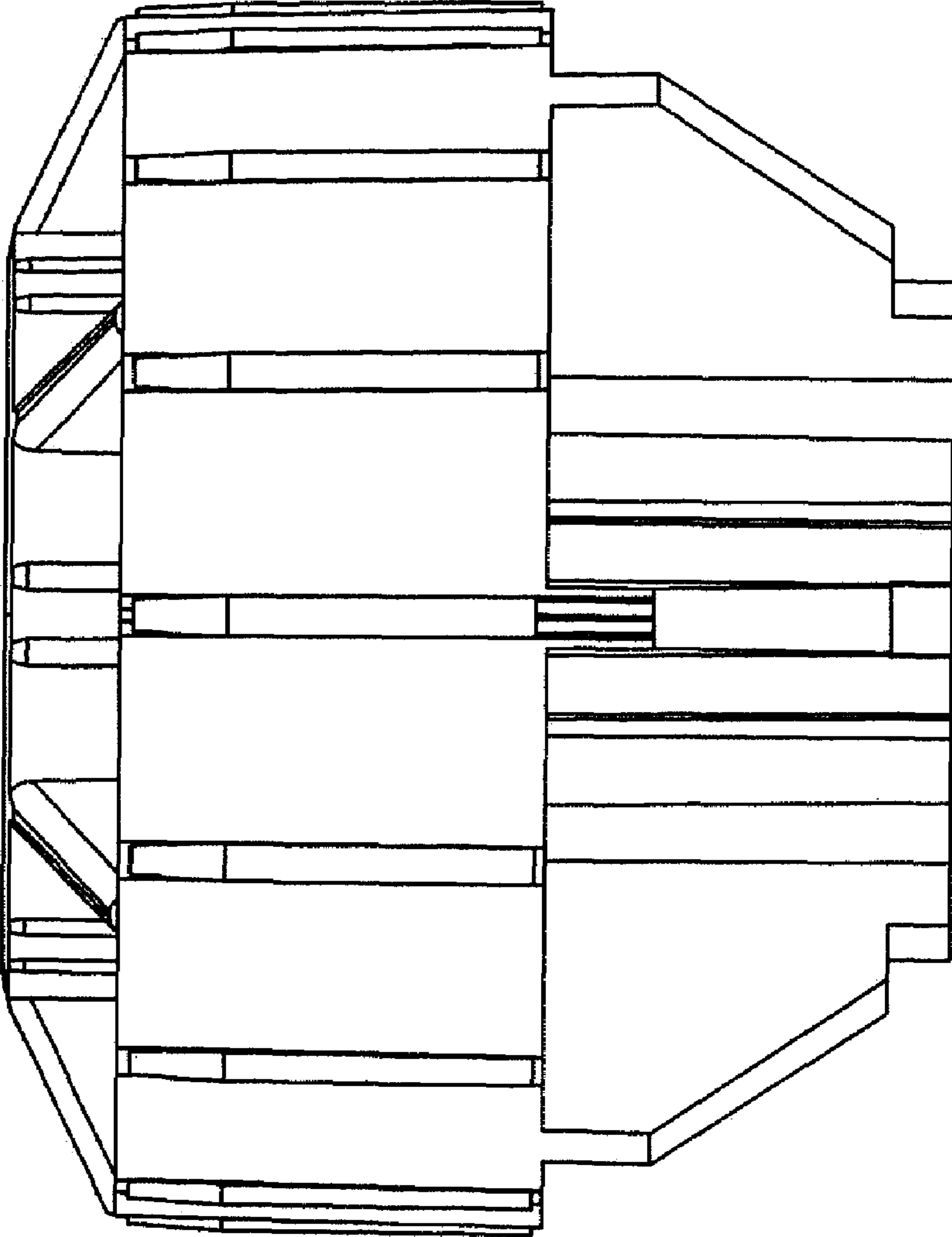


FIG.5

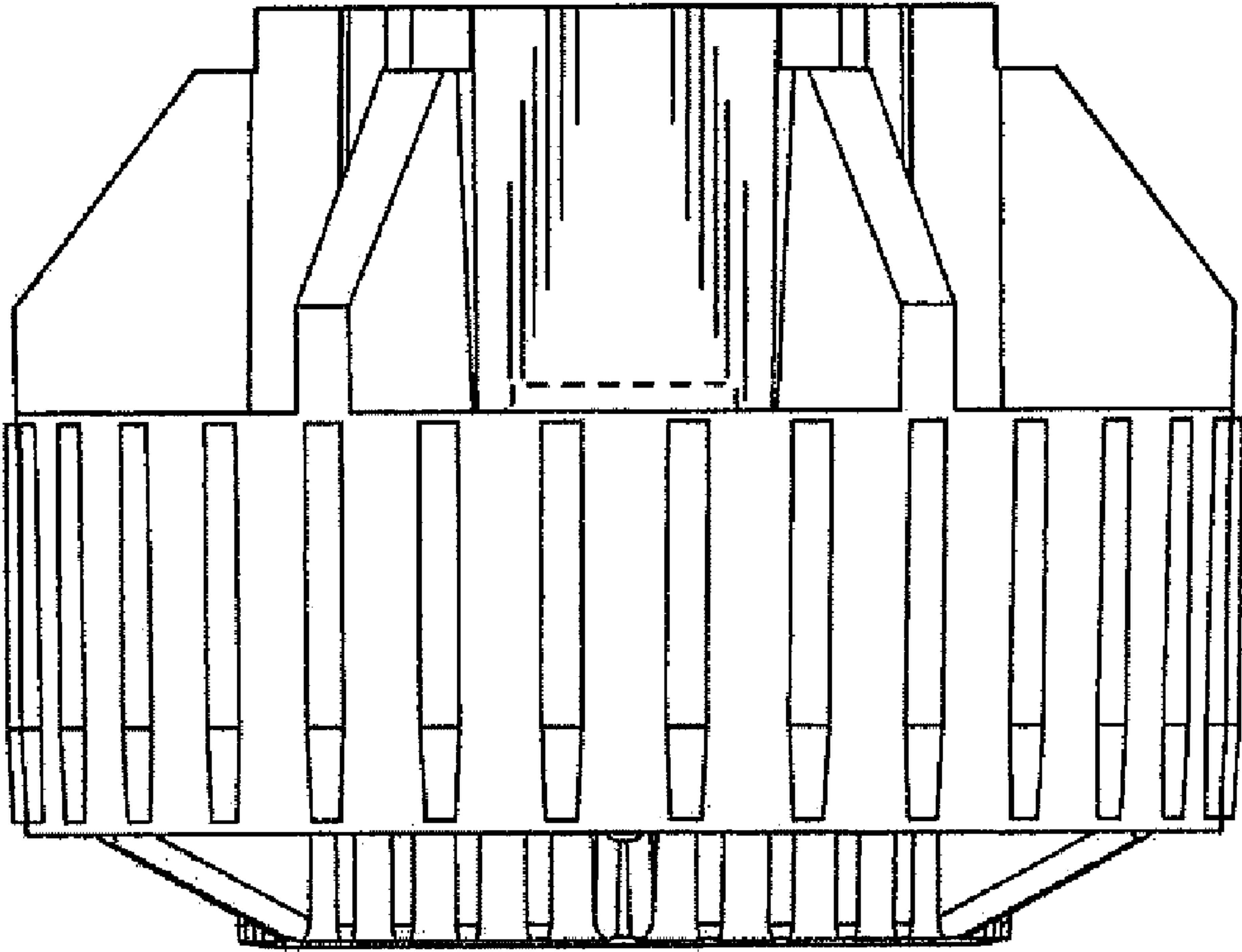


FIG.6

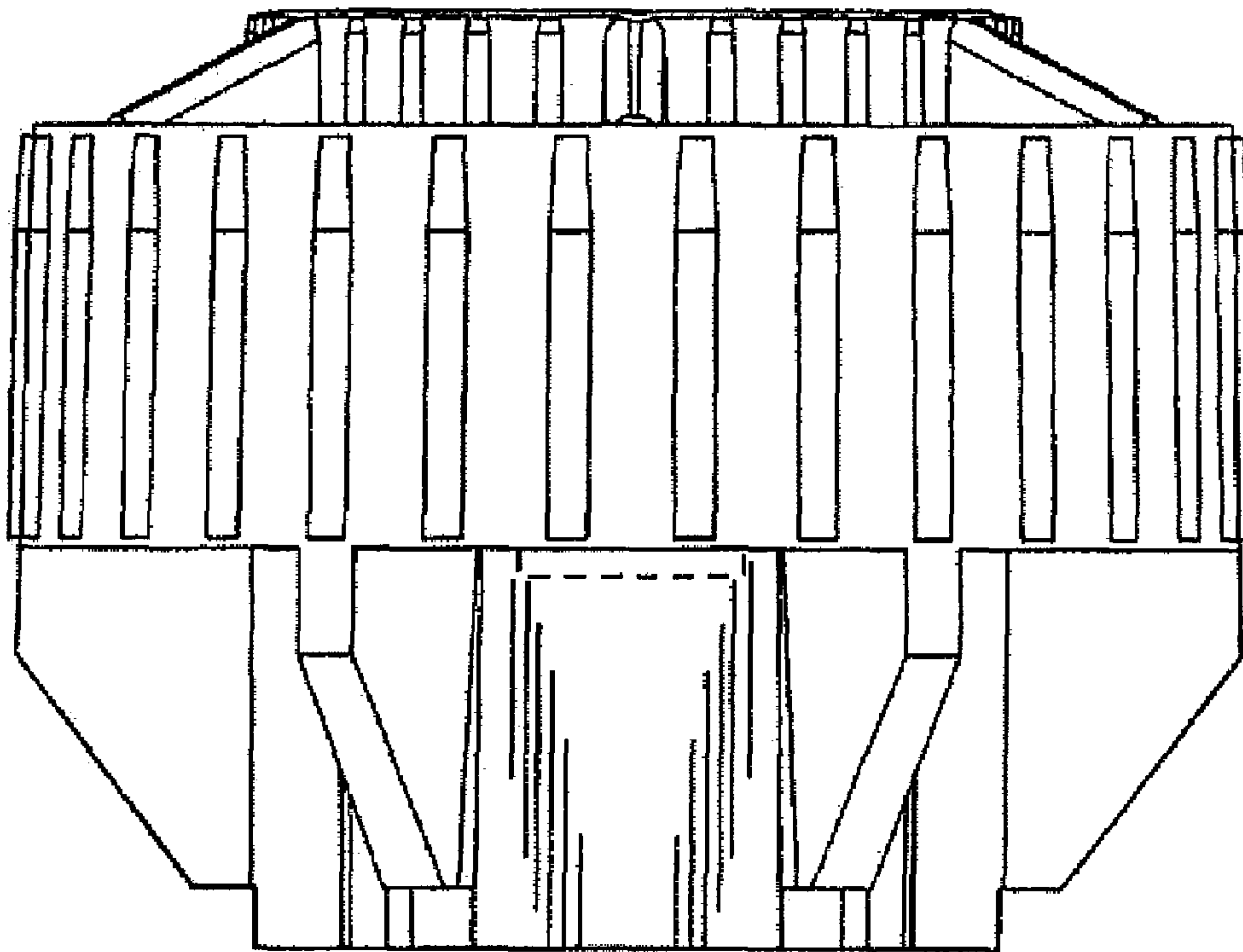


FIG. 7