



US00D606501S

(12) **United States Design Patent**
Plonski et al.

(10) **Patent No.:** **US D606,501 S**
(45) **Date of Patent:** **** Dec. 22, 2009**

- (54) **LIGHT FIXTURE HEAT SINK**
- (75) Inventors: **Eran Plonski**, Montreal (CA); **Sharath Kumar**, Laval (CA); **Eihab Baqui**, Brossard (CA)
- (73) Assignee: **4187318 Canada Inc.**, Ville St. Laurent, Quebec (CA)
- (**) Term: **14 Years**
- (21) Appl. No.: **29/318,268**
- (22) Filed: **May 16, 2008**

- (51) **LOC (9) Cl.** **13-03**
- (52) **U.S. Cl.** **D13/179**
- (58) **Field of Classification Search** D13/179;
165/80.3, 104.33, 151, 122, 185; 257/706,
257/707, 718-722; 361/687, 695, 697, 700,
361/702, 704, 709, 710, 711, 719; D26/76,
D26/118; D25/124, 125; 362/217, 218,
362/294

See application file for complete search history.

(56) **References Cited**

U.S. PATENT DOCUMENTS

D267,005 S *	11/1982	Dennis	D13/179
D278,140 S *	3/1985	Tatum	D13/179
D306,491 S *	3/1990	Hallengren	D25/124
D315,832 S *	4/1991	Rocheleau et al.	D13/179
D338,449 S *	8/1993	Sahyoun	D13/179
5,746,502 A *	5/1998	Huang	362/223
6,385,047 B1 *	5/2002	McCullough et al.	361/704
D500,883 S *	1/2005	Herst et al.	D26/118

D520,172 S *	5/2006	Engel	D26/76
D538,053 S *	3/2007	Fischer	D6/328
7,438,441 B2 *	10/2008	Sun et al.	362/294
2004/0037081 A1 *	2/2004	Blandford	362/283
2005/0243576 A1 *	11/2005	Park et al.	362/612
2008/0285264 A1 *	11/2008	Whitehouse et al.	362/217

* cited by examiner

Primary Examiner—Selina Sikder

(74) *Attorney, Agent, or Firm*—Ogilvy Renault LLP

(57) **CLAIM**

The ornamental design for a light fixture heat sink, as shown and described.

DESCRIPTION

FIG. 1 is a perspective view of a light fixture heat sink of the present design;

FIG. 2 is an end view of the light fixture heat sink of FIG. 1, the opposite end view being a mirror image thereof;

FIG. 3 is a bottom of the light fixture heat sink of FIG. 1;

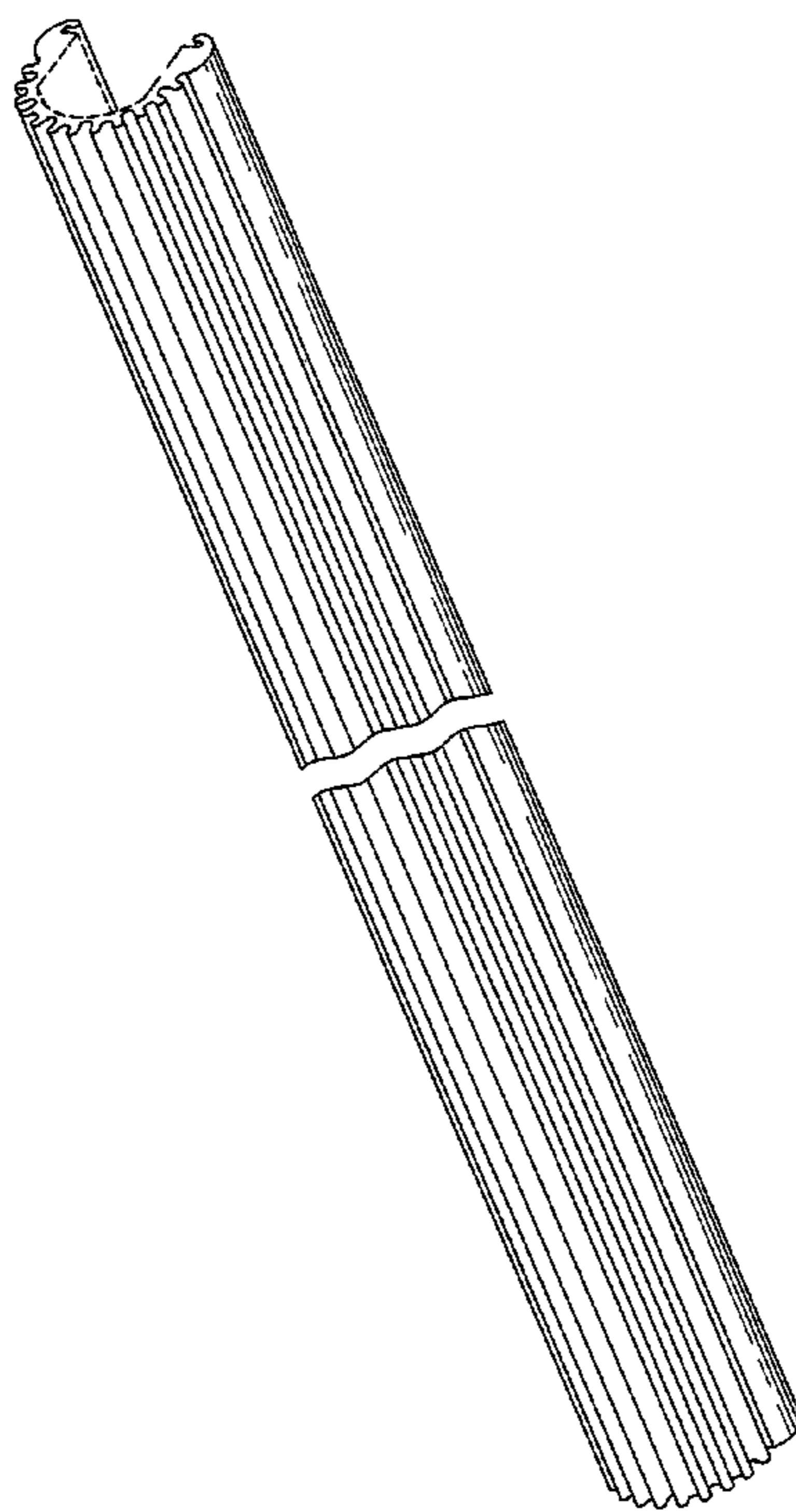
FIG. 4 is a top view of the light fixture heat sink of FIG. 1; and,

FIG. 5 is a front view of the light fixture heat sink of FIG. 1, the rear view of the heat sink of FIG. 1 being identical thereto.

The portions shown in broken lines in the drawings do not form part of the present design.

The light fixture heat sink is shown broken away in FIGS. 1-5 of the drawing to indicate indeterminate length, it being understood that it has a uniform shape and appearance through its length.

1 Claim, 2 Drawing Sheets



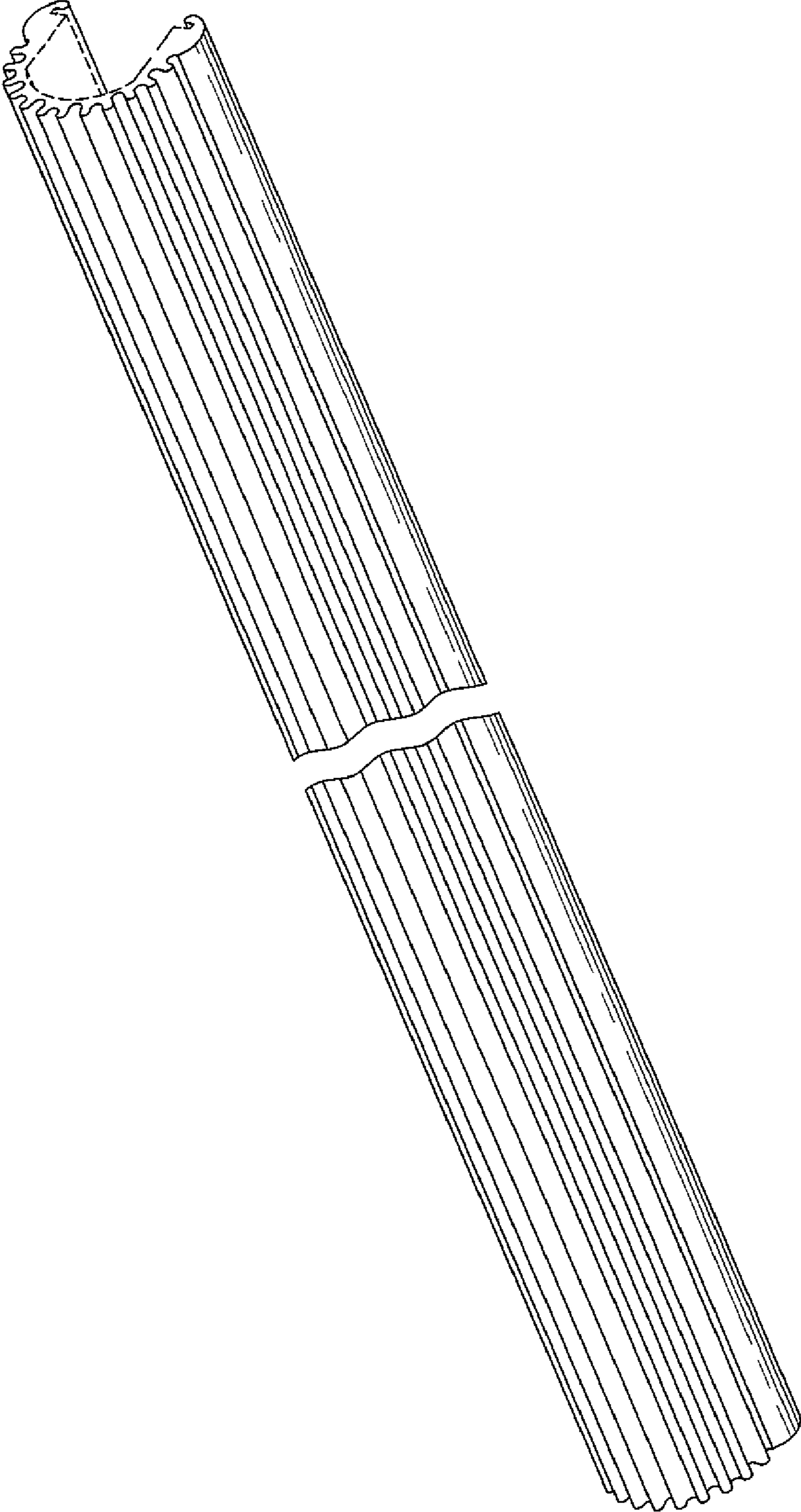


Fig-1

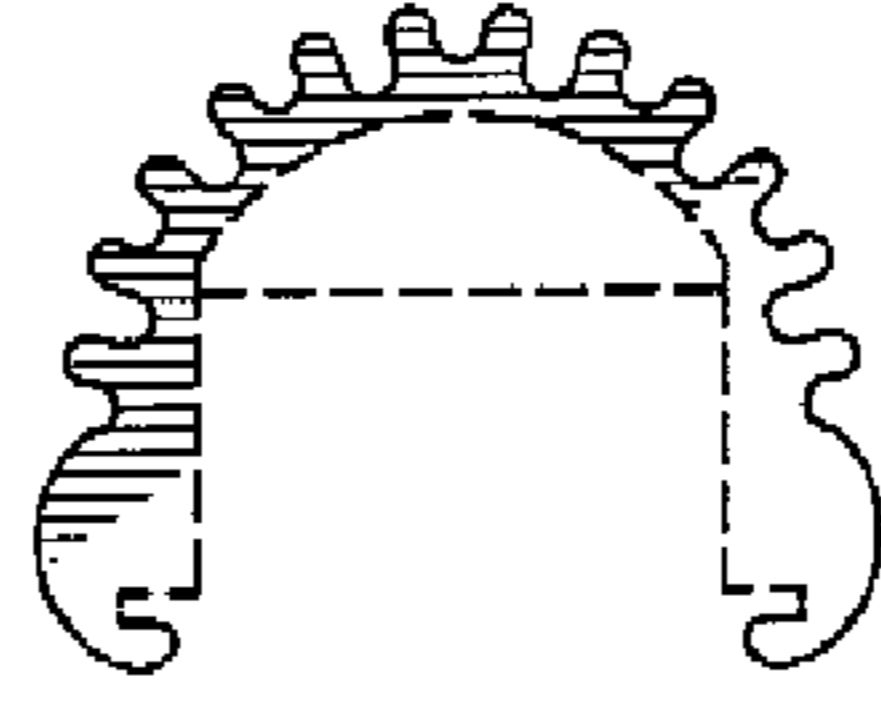


Fig-2

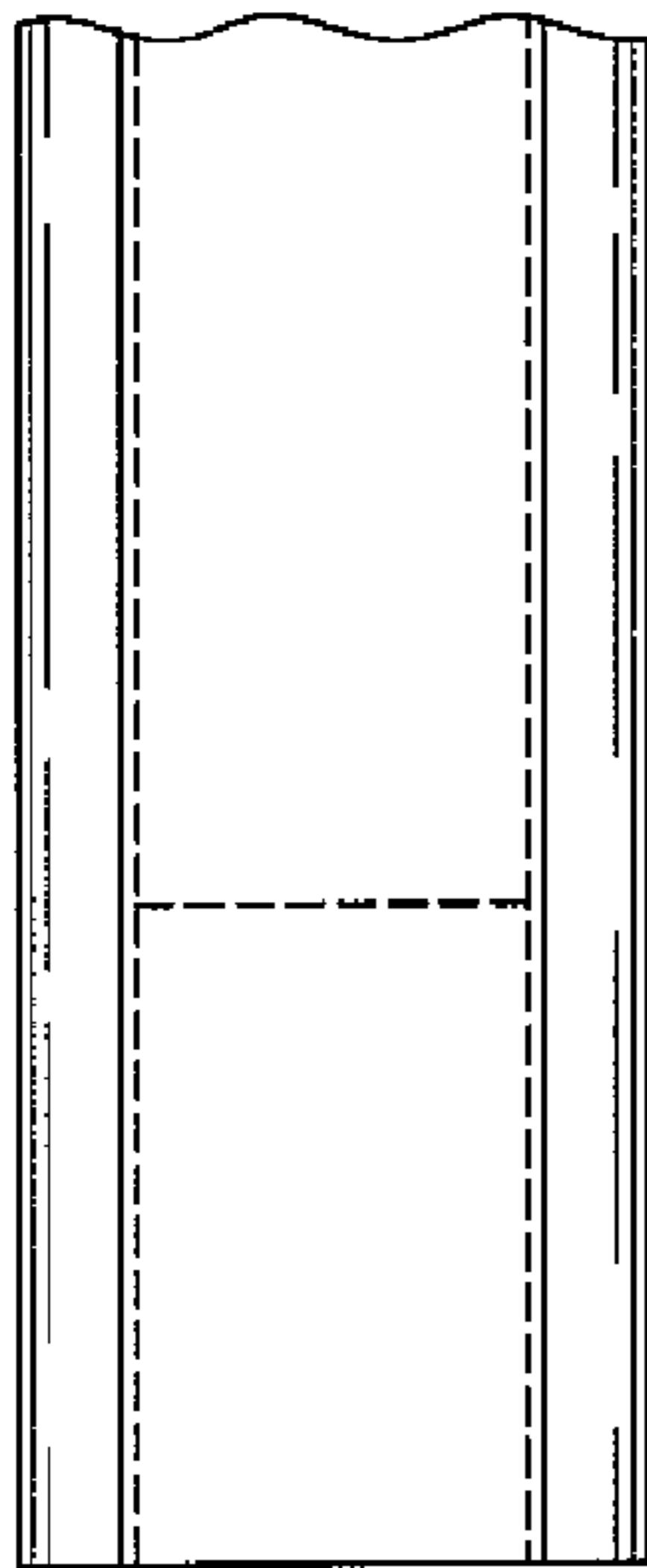
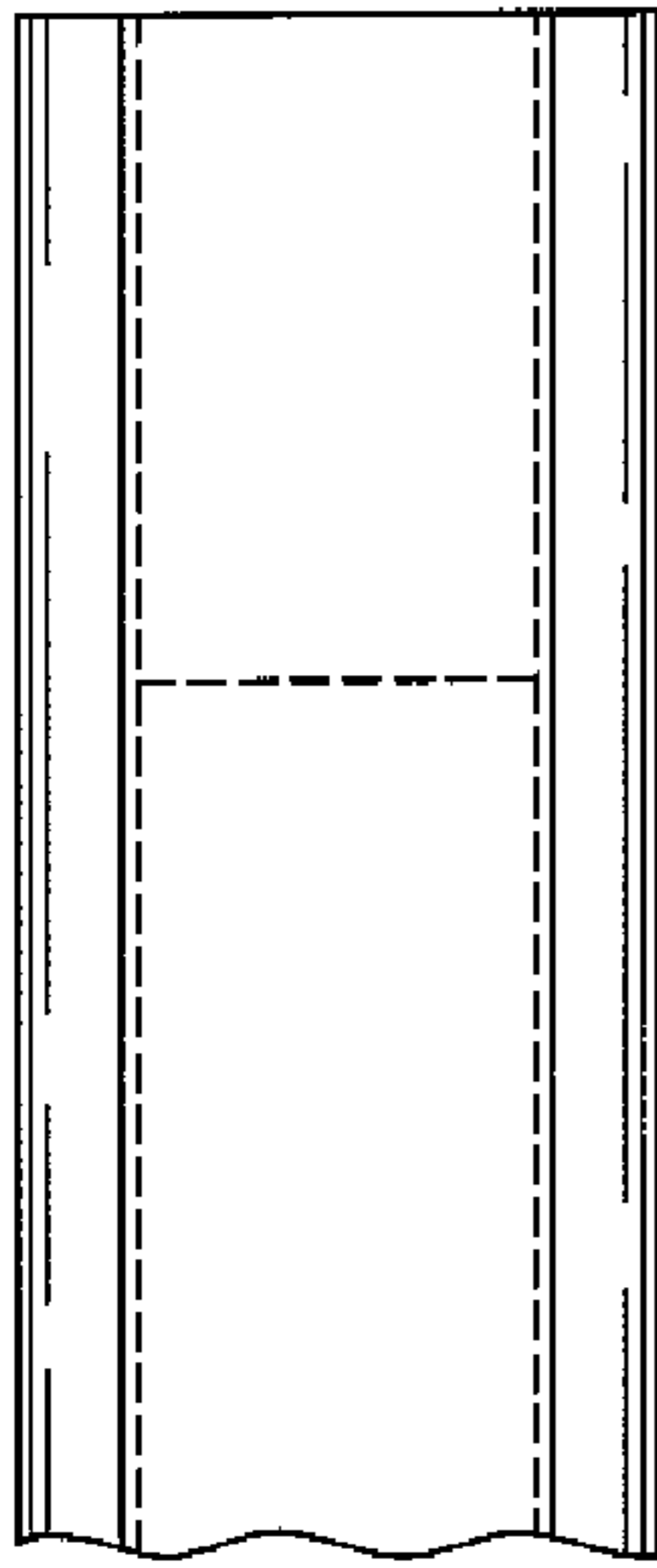


Fig-3

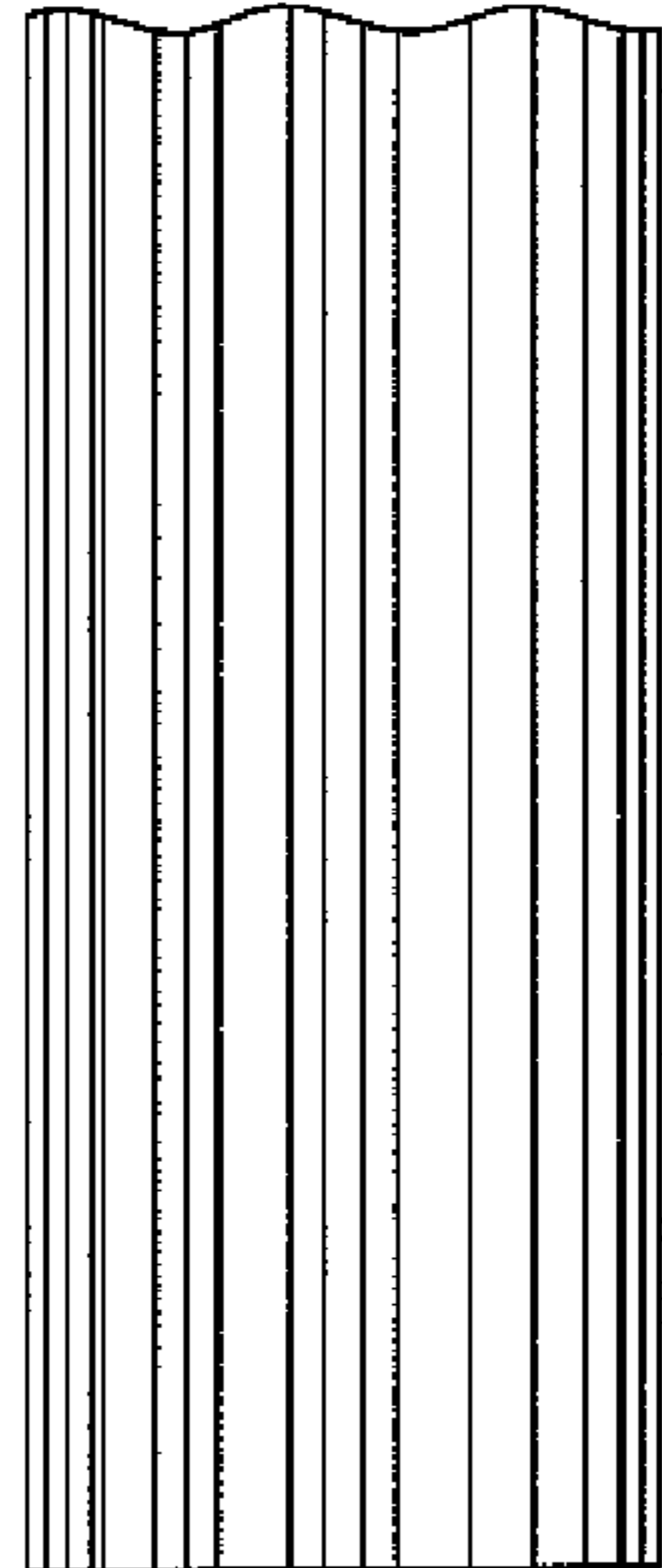
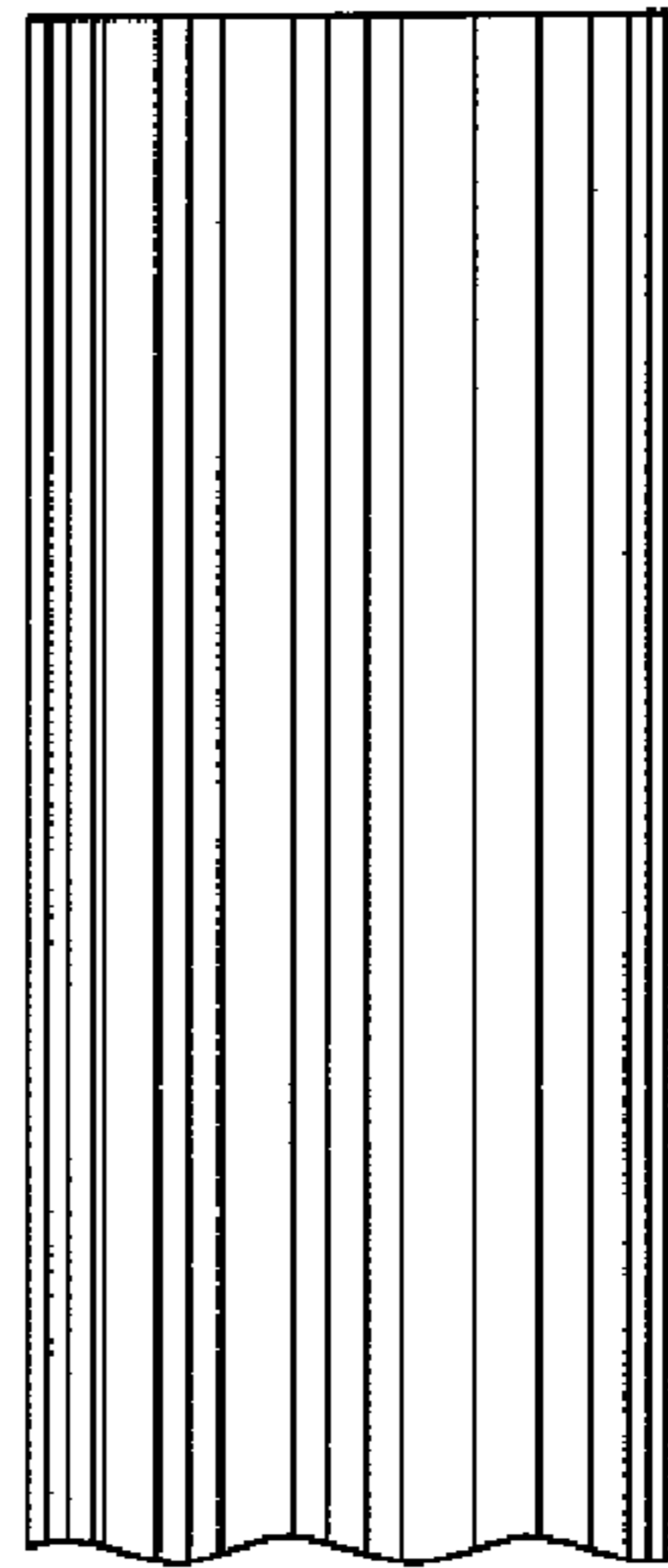


Fig-4

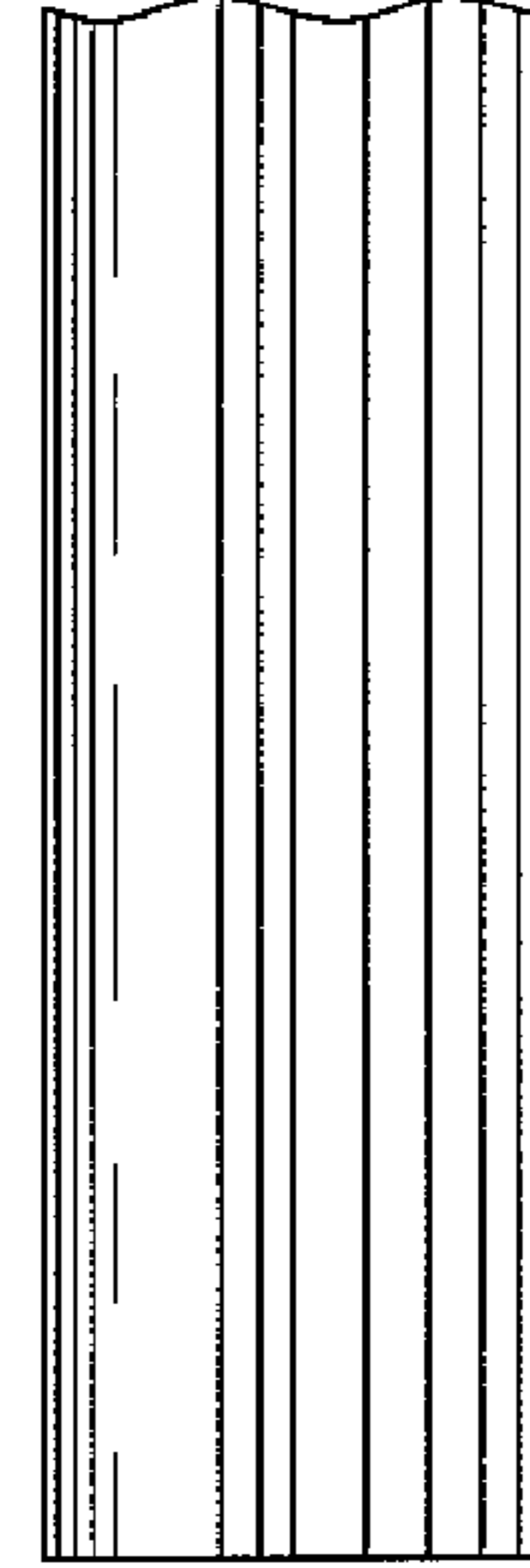
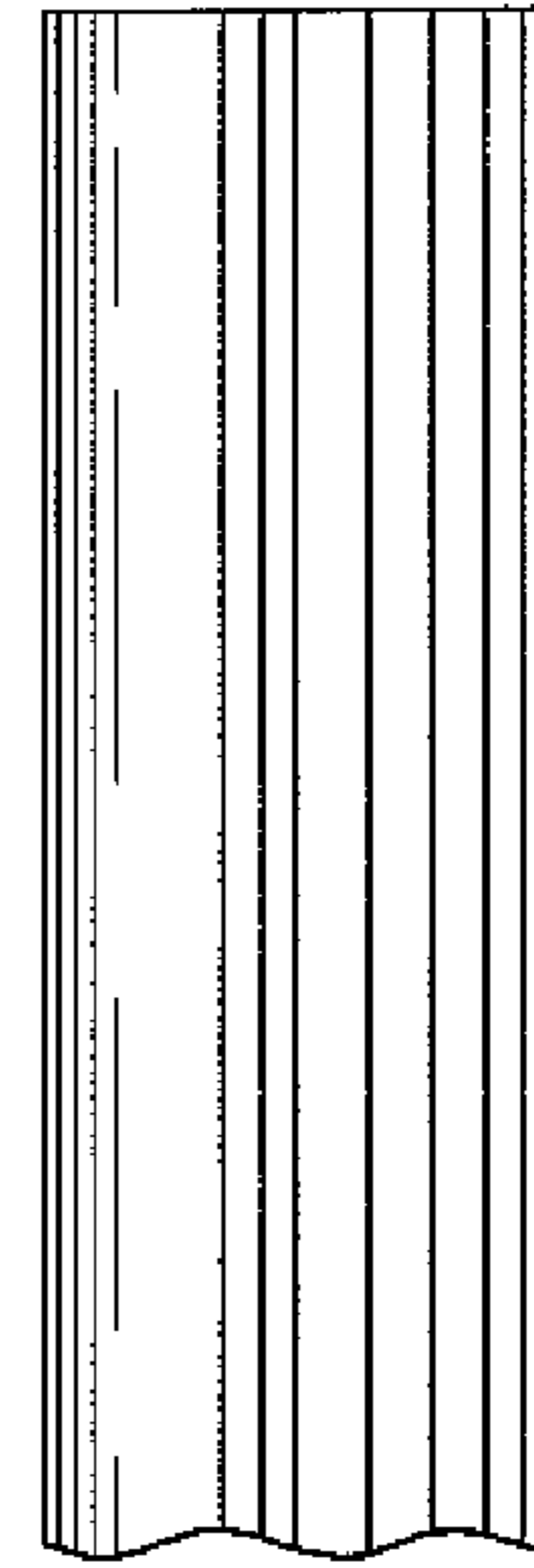


Fig-5