



US00D606495S

(12) **United States Design Patent**
Hamauchi

(10) **Patent No.:** **US D606,495 S**

(45) **Date of Patent:** **** Dec. 22, 2009**

(54) **ELECTRIC CONNECTOR**

JP 1277616 7/2006

* cited by examiner

(75) Inventor: **Norio Hamauchi**, Machida (JP)

Primary Examiner—Daniel D Bui

(73) Assignee: **I-Pex Co., Ltd.**, Machida-shi (JP)

(74) *Attorney, Agent, or Firm*—Oblon, Spivak, McClelland, Maier & Neustadt, L.L.P.

(**) Term: **14 Years**

(21) Appl. No.: **29/321,335**

(57) **CLAIM**

(22) Filed: **Jul. 15, 2008**

The ornamental design for an electric connector, as shown and described.

(30) **Foreign Application Priority Data**

DESCRIPTION

Apr. 4, 2008 (JP) 2008-008734

FIG. 1 is a front view of an electric connector showing my new design;

(51) **LOC (9) Cl.** **13-03**

FIG. 2 is a top view thereof;

(52) **U.S. Cl.** **D13/147**

FIG. 3 is a rear view thereof;

(58) **Field of Classification Search** D13/146–147,

FIG. 4 is a bottom view thereof;

D13/154, 184; 439/260, 329, 357, 422, 492–499, 439/660

FIG. 5 is a right side view thereof;

See application file for complete search history.

FIG. 6 is a left side view thereof;

(56) **References Cited**

FIG. 7 is a cross-sectional view thereof, on an enlarged scale, taken along line 7—7 in FIG. 1;

U.S. PATENT DOCUMENTS

FIG. 8 is an enlarged view of area 8 in FIG. 1;

D444,130 S * 6/2001 Hayashi et al. D13/147

FIG. 9 is a top, front and right side perspective view thereof; and,

D456,777 S * 5/2002 Igarashi D13/147

FIG. 10 is a top, front and right side perspective view thereof, in use condition.

D457,138 S * 5/2002 Igarashi D13/147

D541,750 S * 5/2007 Yoshikai D13/147

In the drawings, the dash-dot line represents the cut section lines, and the evenly-broken line represents unclaimed subject matter only and forms no part of the claimed design.

FOREIGN PATENT DOCUMENTS

JP 1078009 7/2000

JP 1234526 3/2005

1 Claim, 6 Drawing Sheets

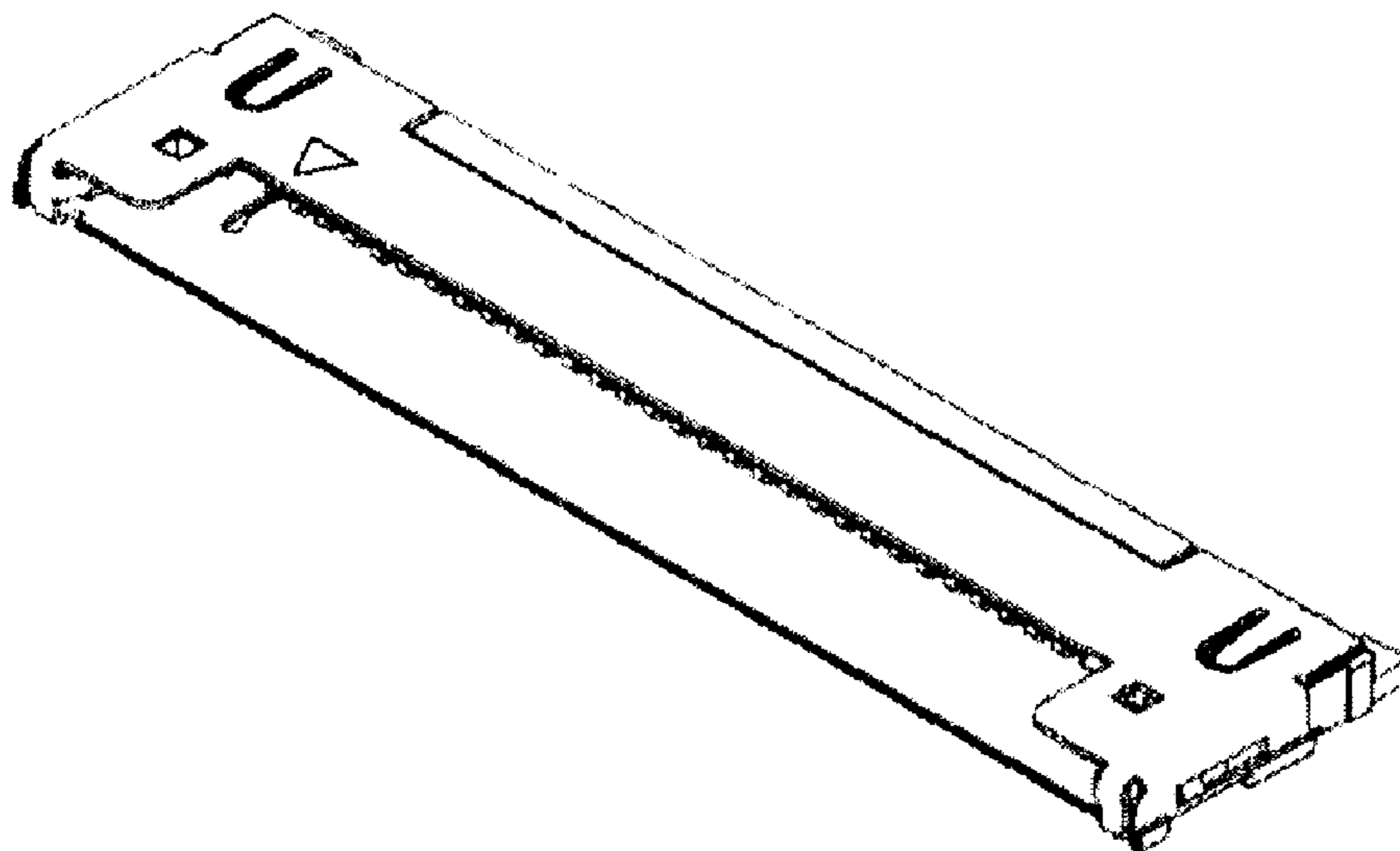


FIG. 1

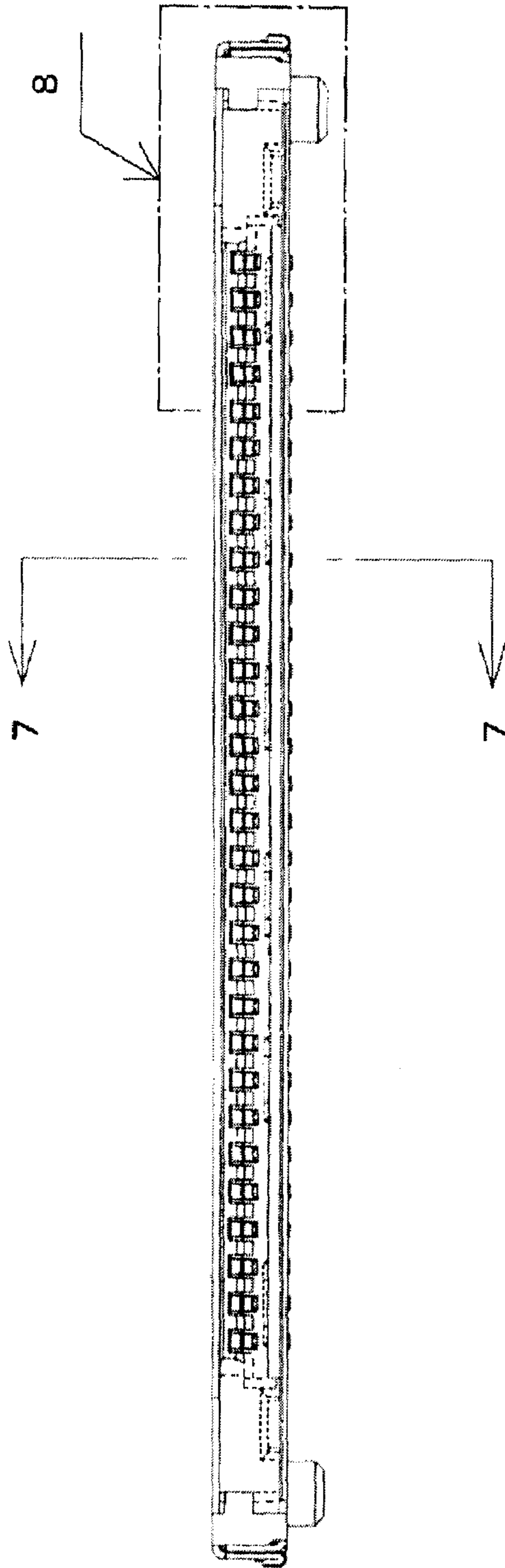


FIG. 2

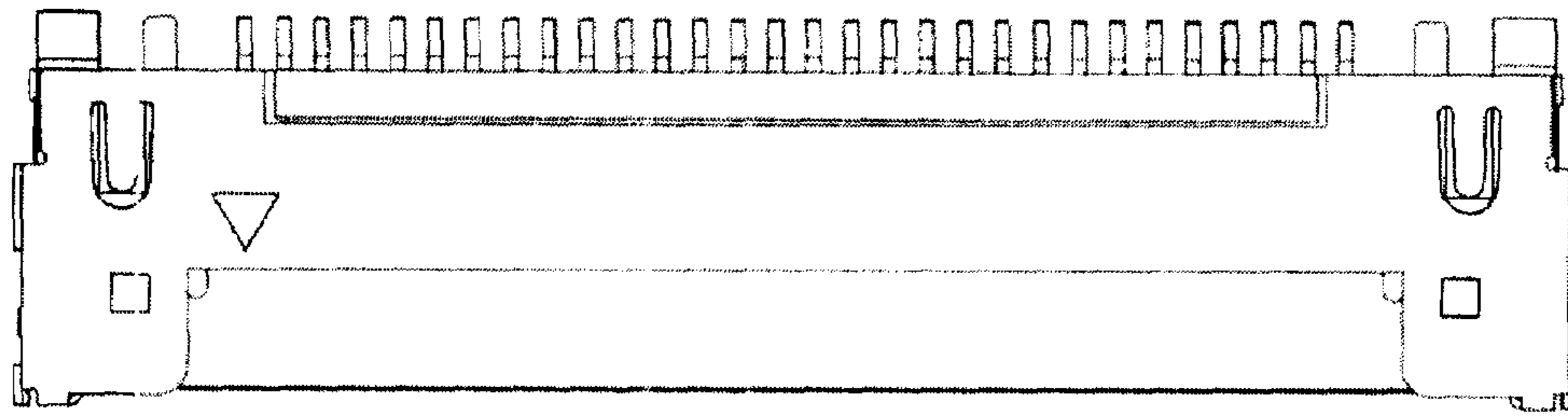


FIG. 3



FIG. 4

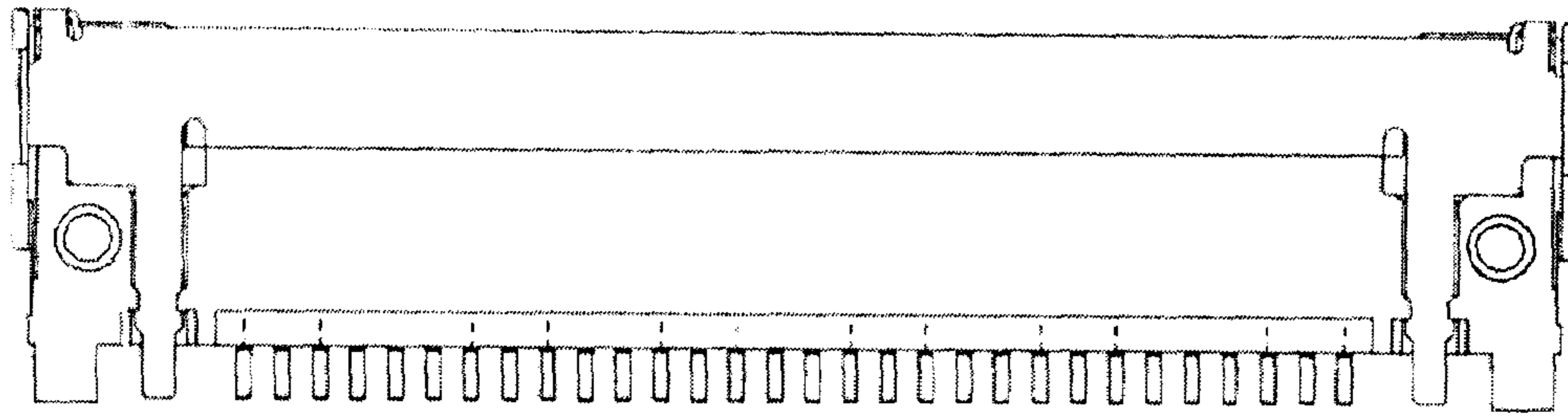


FIG. 5

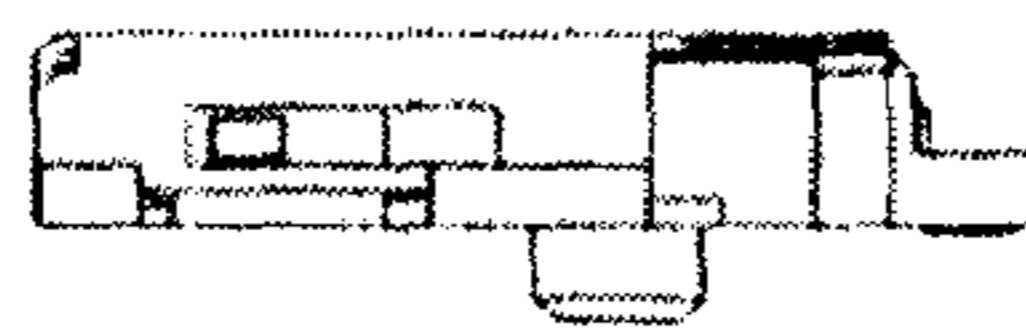


FIG. 6

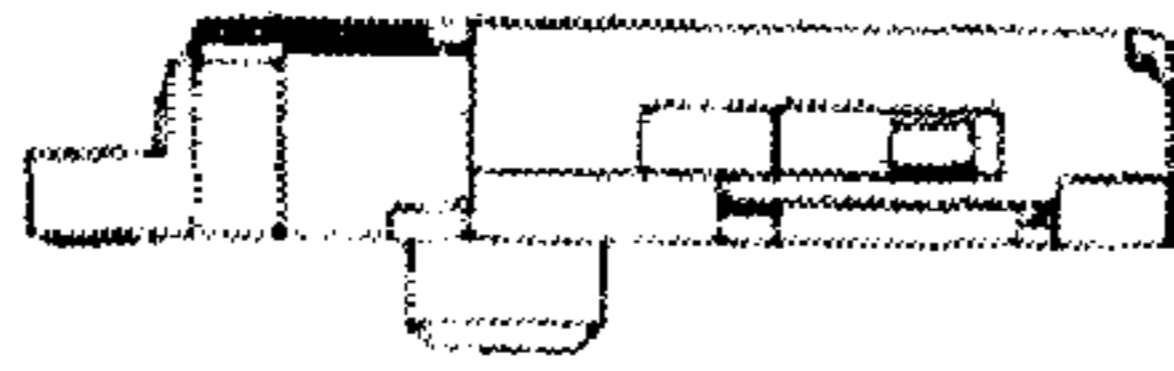


FIG. 7

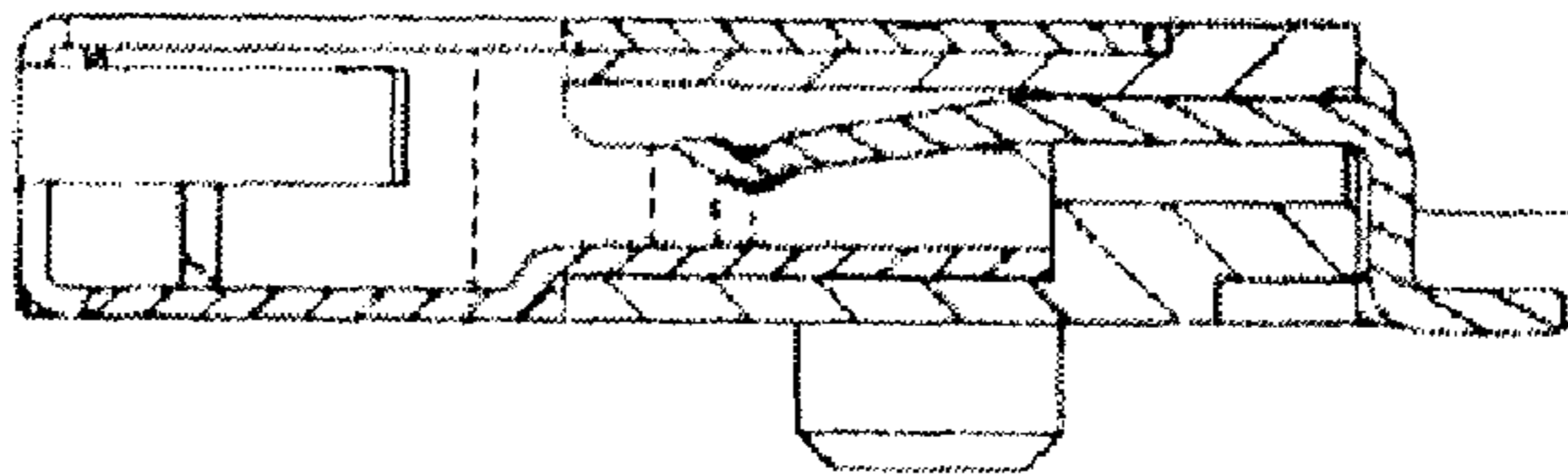


FIG. 8

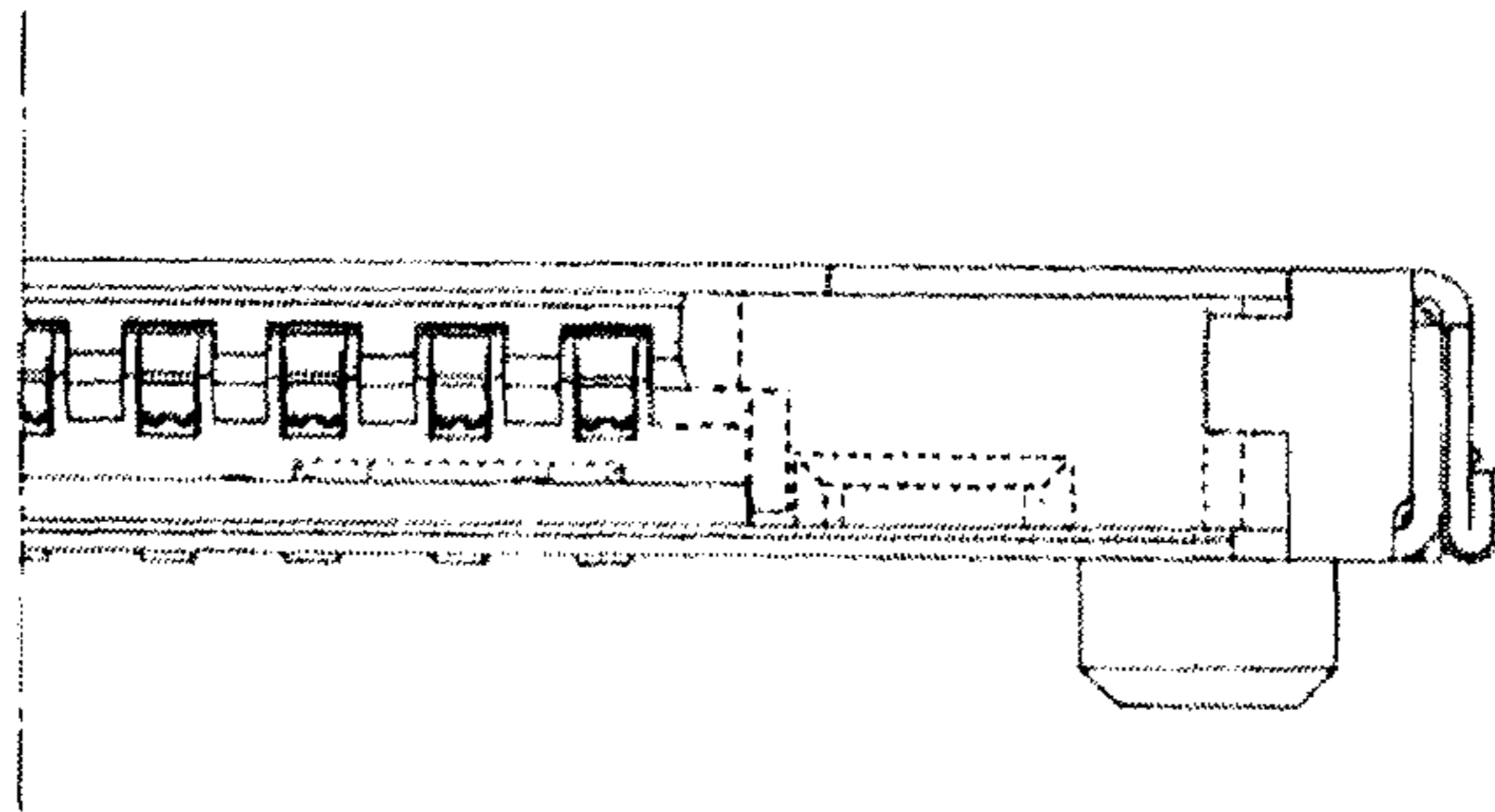


FIG. 9

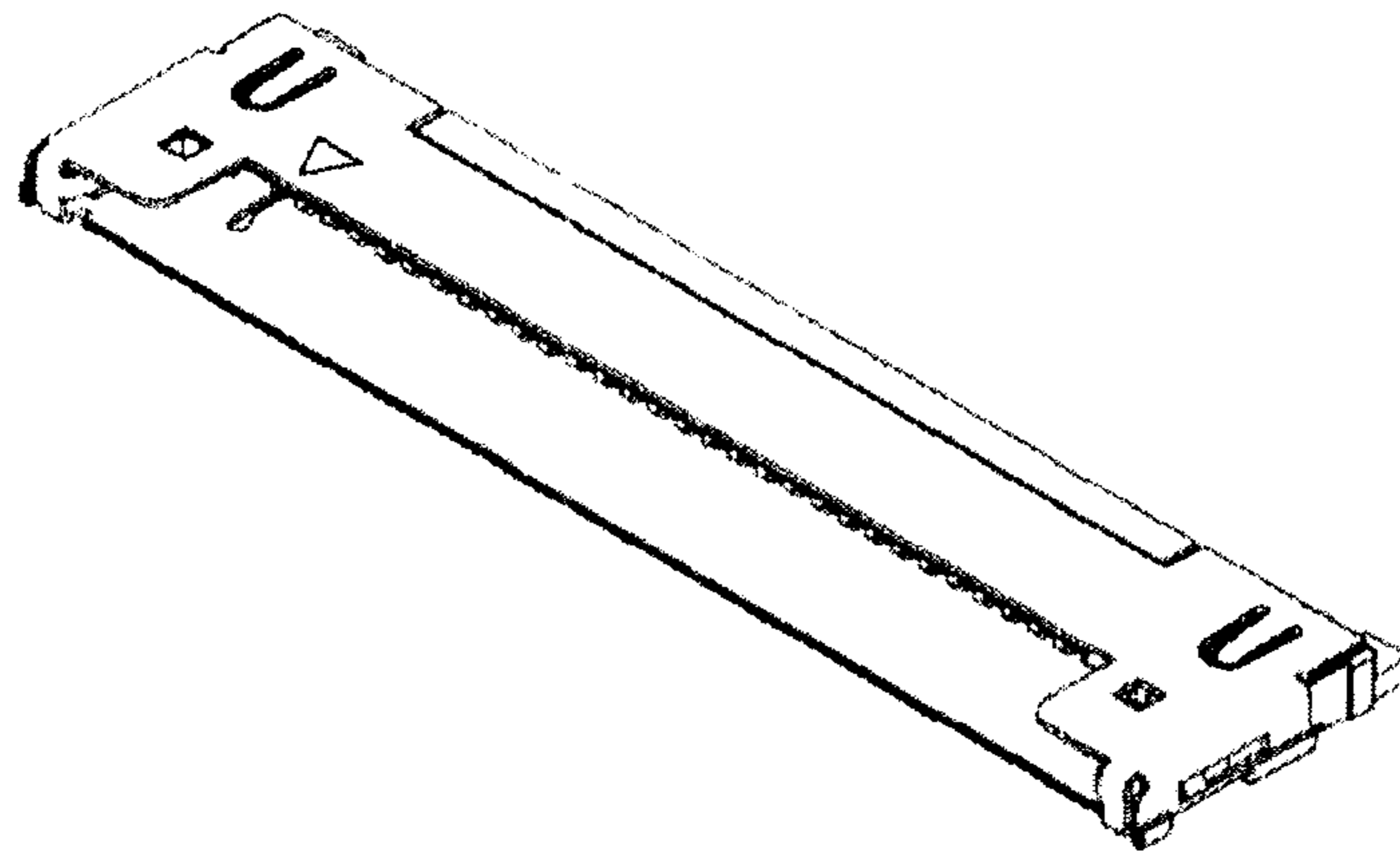
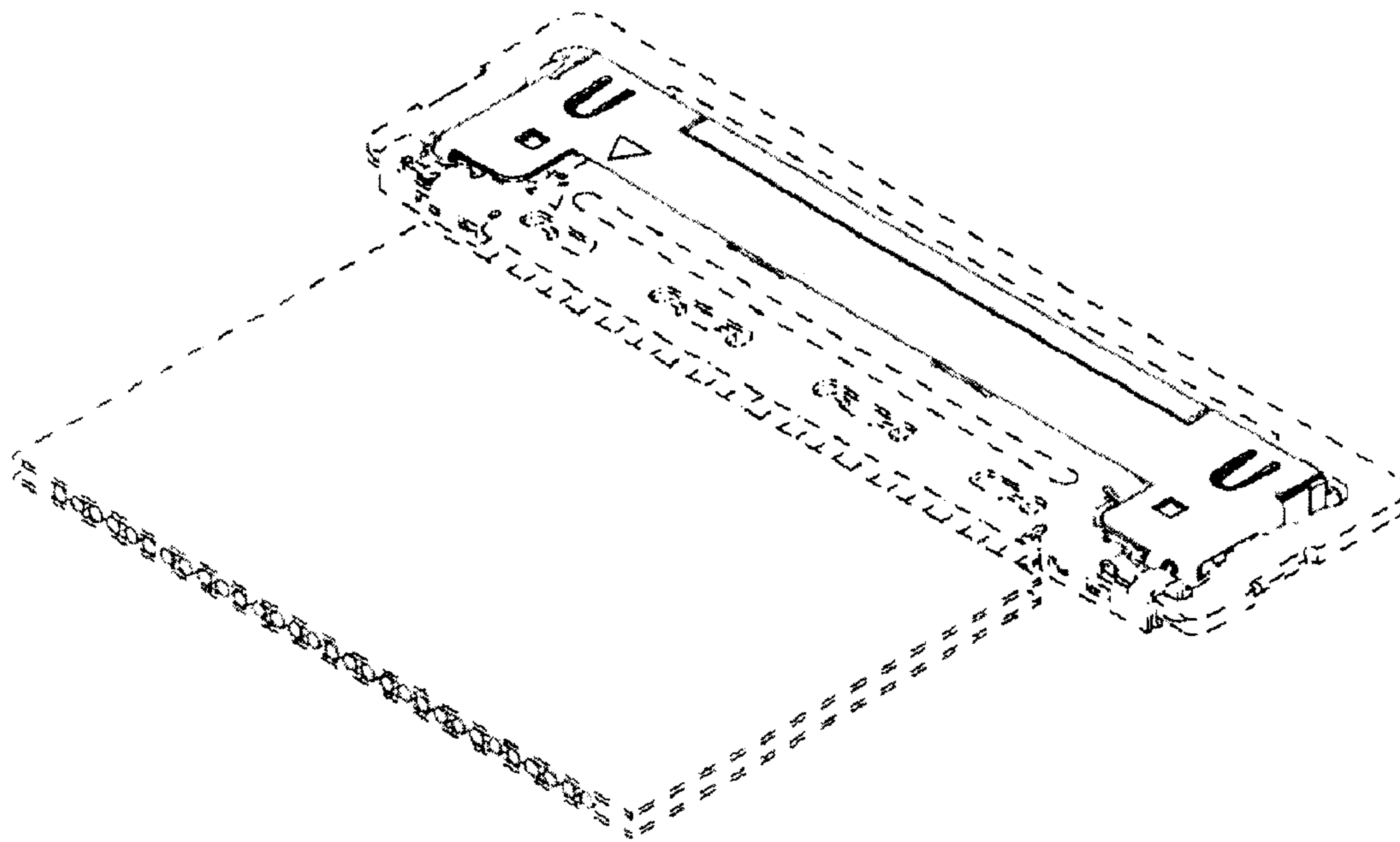


FIG. 10



UNITED STATES PATENT AND TRADEMARK OFFICE
CERTIFICATE OF CORRECTION

PATENT NO. : Des. 606,495 S
APPLICATION NO. : 29/321335
DATED : December 22, 2009
INVENTOR(S) : Norio Hamauchi

Page 1 of 8

It is certified that error appears in the above-identified patent and that said Letters Patent is hereby corrected as shown below:

The Title Page, showing an illustrative figure, should be deleted and substitute therefor the attached title page.

The low resolution drawings used in the Letters Patent should be replaced with the high resolution drawings submitted (a copy of which is submitted herewith), attached.

Signed and Sealed this

Fifteenth Day of June, 2010

A handwritten signature in black ink that reads "David J. Kappos". The signature is written in a cursive, flowing style.

David J. Kappos
Director of the United States Patent and Trademark Office

(12) **United States Design Patent**
Hamauchi

(10) **Patent No.:** **US D606,495 S**
(45) **Date of Patent:** **** Dec. 22, 2009**

(54) **ELECTRIC CONNECTOR**

JP 1277616 7/2006

* cited by examiner

(75) Inventor: **Norio Hamauchi, Machida (JP)**

Primary Examiner—Daniel D Bui

(73) Assignee: **I-Pex Co., Ltd., Machida-shi (JP)**

(74) *Attorney, Agent, or Firm*—Oblon, Spivak, McClelland, Maier & Neustadt, L.L.P.

(**) Term: **14 Years**

(21) Appl. No.: **29/321,335**

(22) Filed: **Jul. 15, 2008**

(30) **Foreign Application Priority Data**

Apr. 4, 2008 (JP) 2008-008734

(51) **LOC (9) Cl.** **13-03**

(52) **U.S. Cl.** **D13/147**

(58) **Field of Classification Search** **D13/146-147,**
D13/154, 184; 439/260, 329, 357, 422, 492-499,
439/660

See application file for complete search history.

(56) **References Cited**

U.S. PATENT DOCUMENTS

D444,130 S * 6/2001 Hayashi et al. D13/147
D456,777 S * 5/2002 Igarashi D13/147
D457,138 S * 5/2002 Igarashi D13/147
D541,750 S * 5/2007 Yoshikai D13/147

FOREIGN PATENT DOCUMENTS

JP 1078009 7/2000
JP 1234526 3/2005

(57) **CLAIM**

The ornamental design for an electric connector, as shown and described.

DESCRIPTION

FIG. 1 is a front view of an electric connector showing my new design;

FIG. 2 is a top view thereof;

FIG. 3 is a rear view thereof;

FIG. 4 is a bottom view thereof;

FIG. 5 is a right side view thereof;

FIG. 6 is a left side view thereof;

FIG. 7 is a cross-sectional view thereof, on an enlarged scale, taken along line 7—7 in FIG. 1;

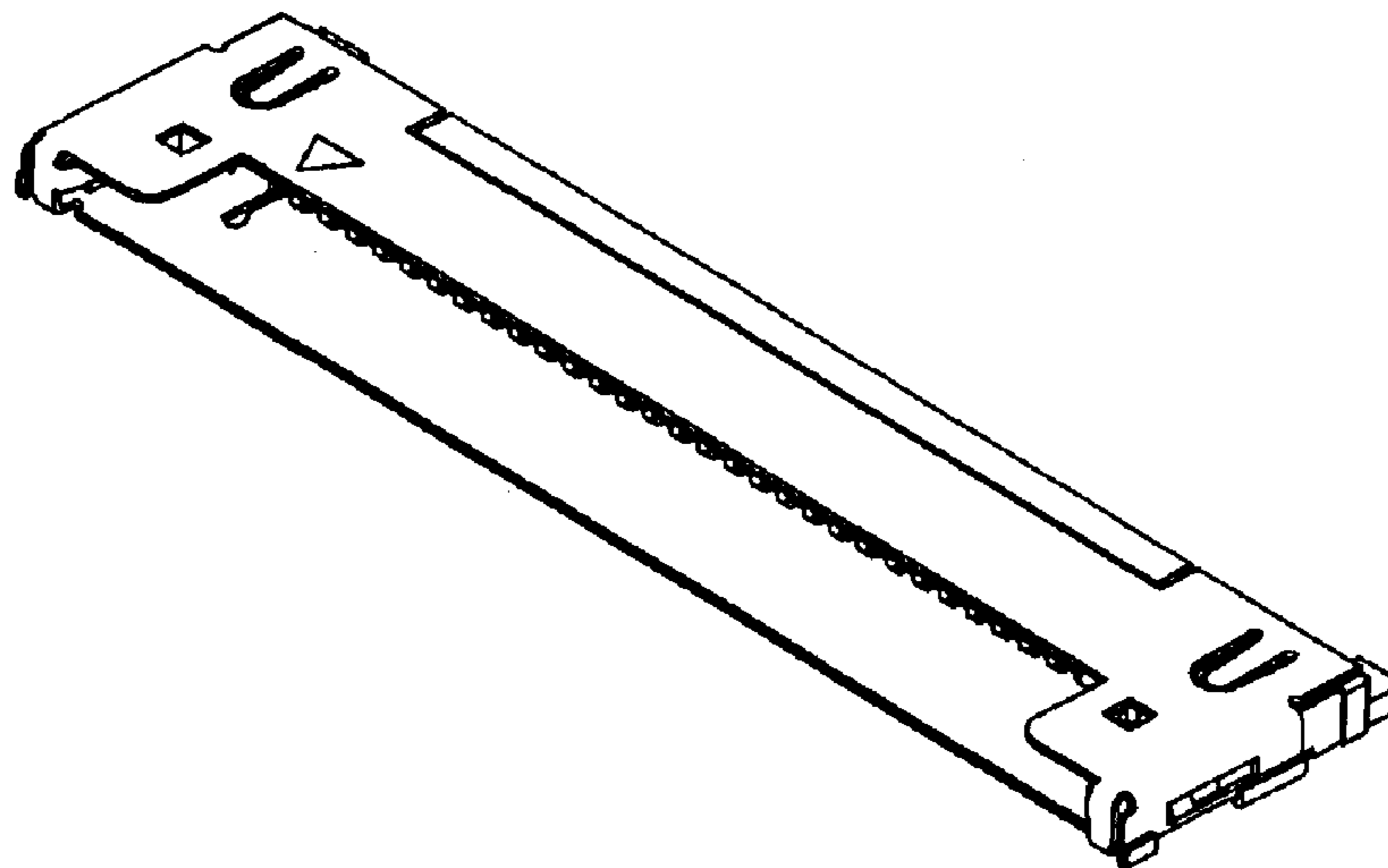
FIG. 8 is is an enlarged view of area 8 in FIG. 1;

FIG. 9 is a top, front and right side perspective view thereof; and,

FIG. 10 is a top, front and right side perspective view thereof, in use condition.

In the drawings, the dash-dot line represents the cut section lines, and the evenly-broken line represents unclaimed subject matter only and forms no part of the claimed design.

1 Claim, 6 Drawing Sheets



F I G . 1

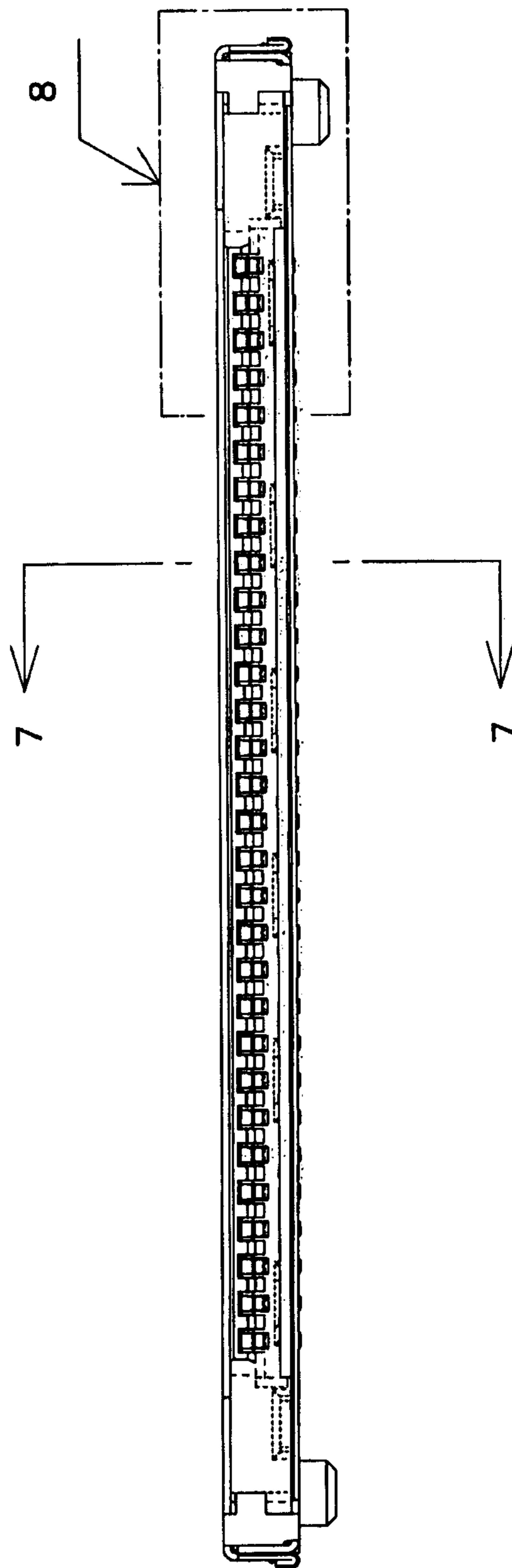


FIG. 2

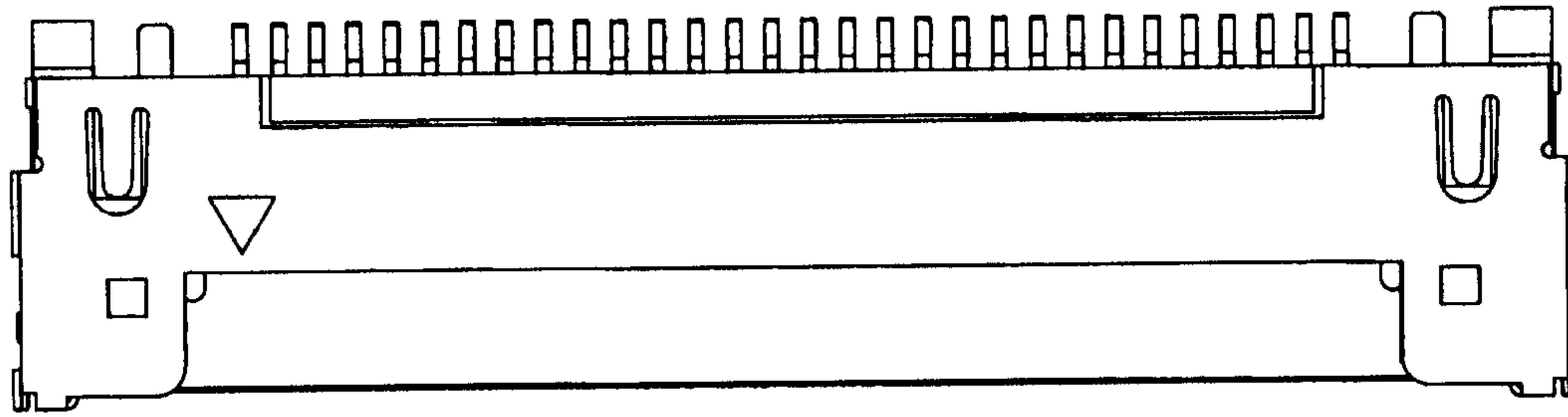


FIG. 3



FIG. 4

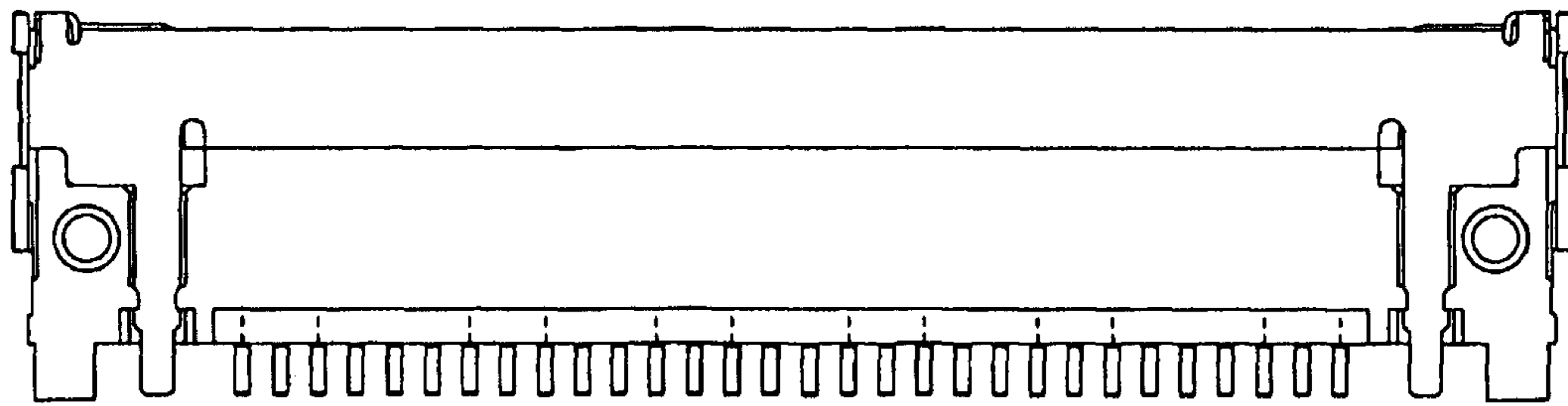


FIG. 5

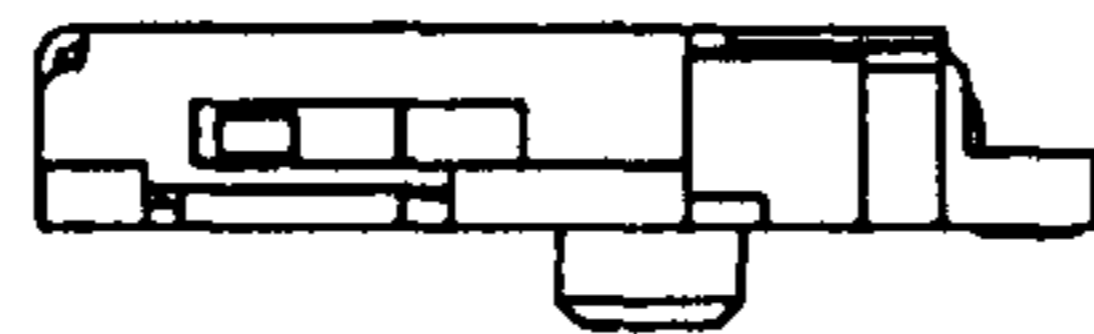


FIG. 6

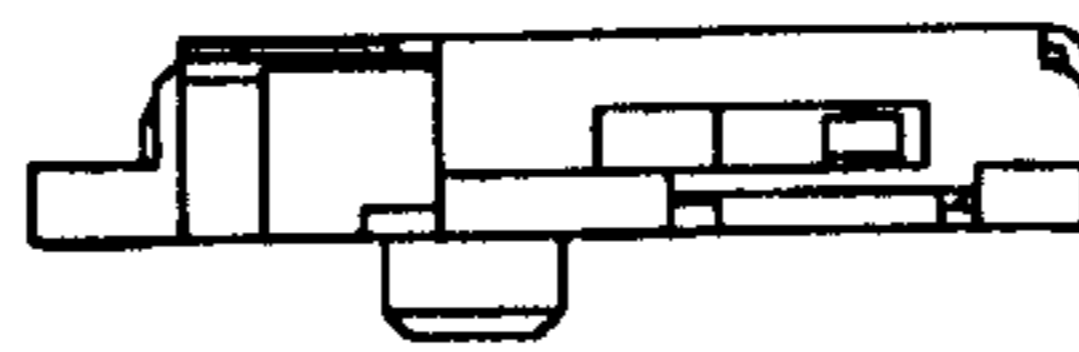


FIG. 7

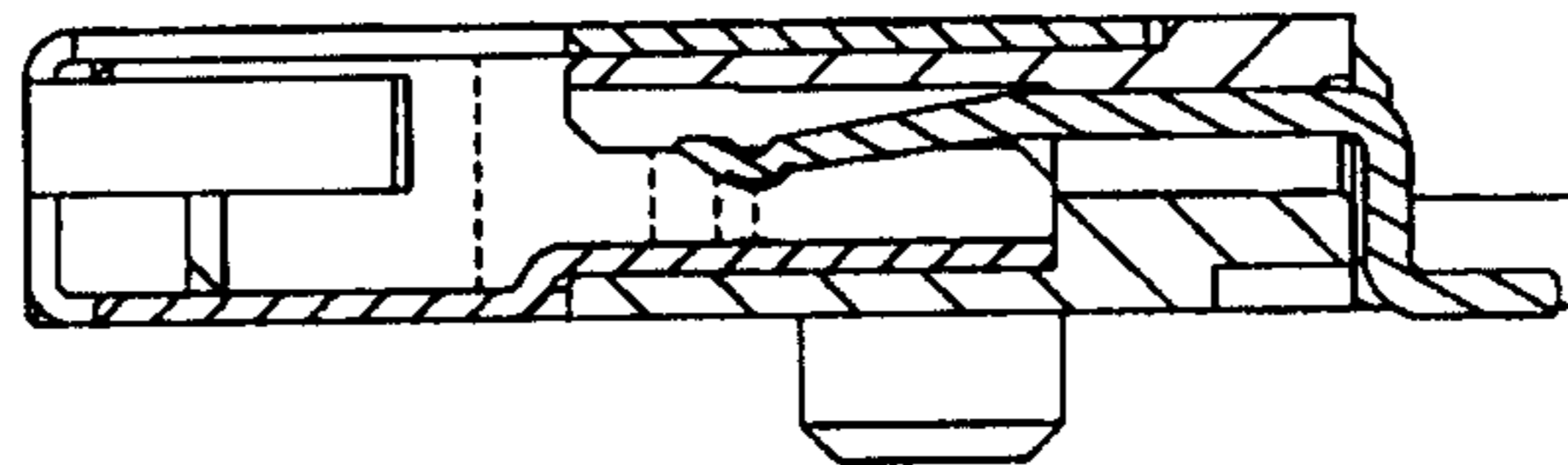


FIG. 8

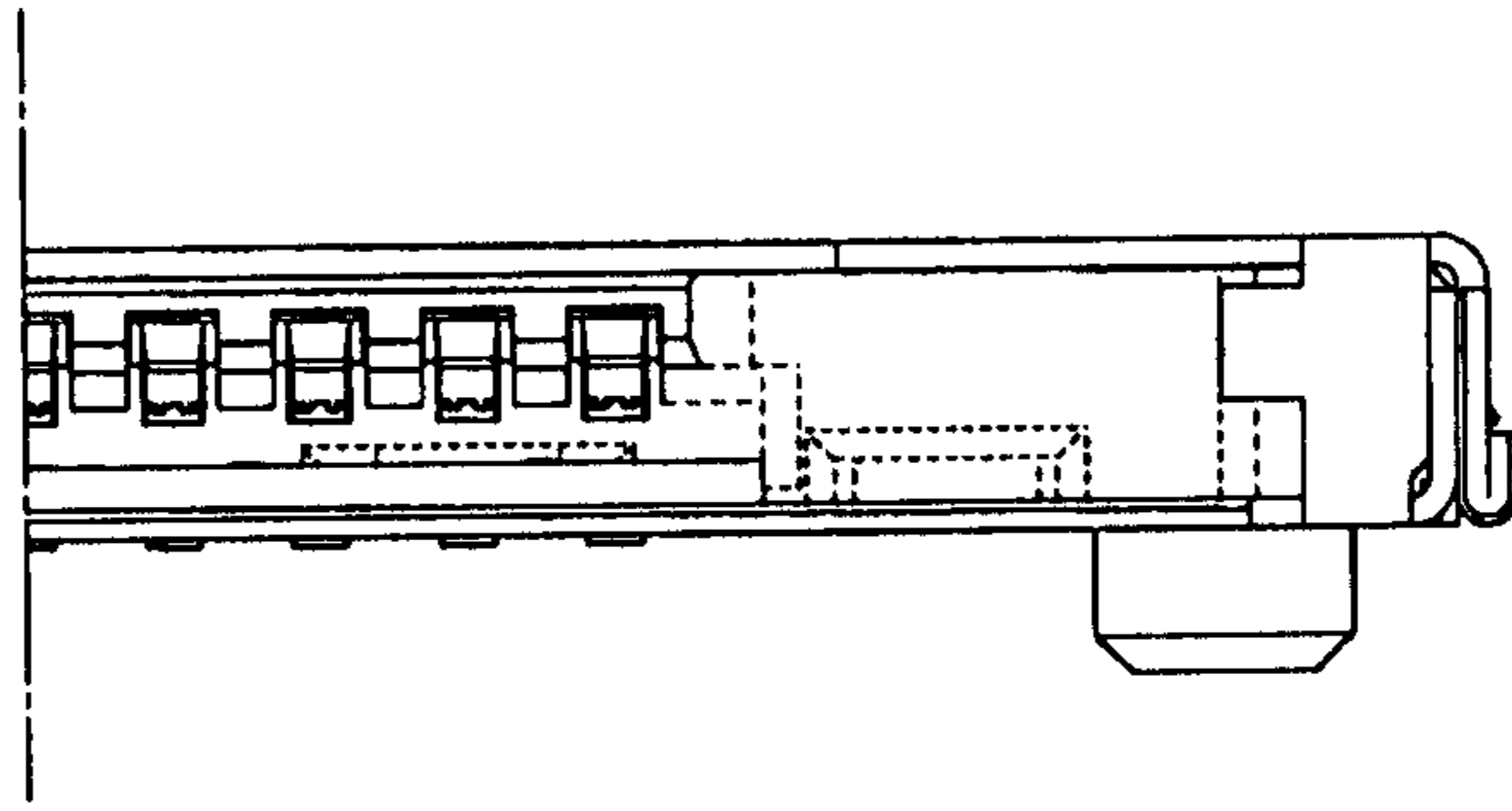


FIG. 9

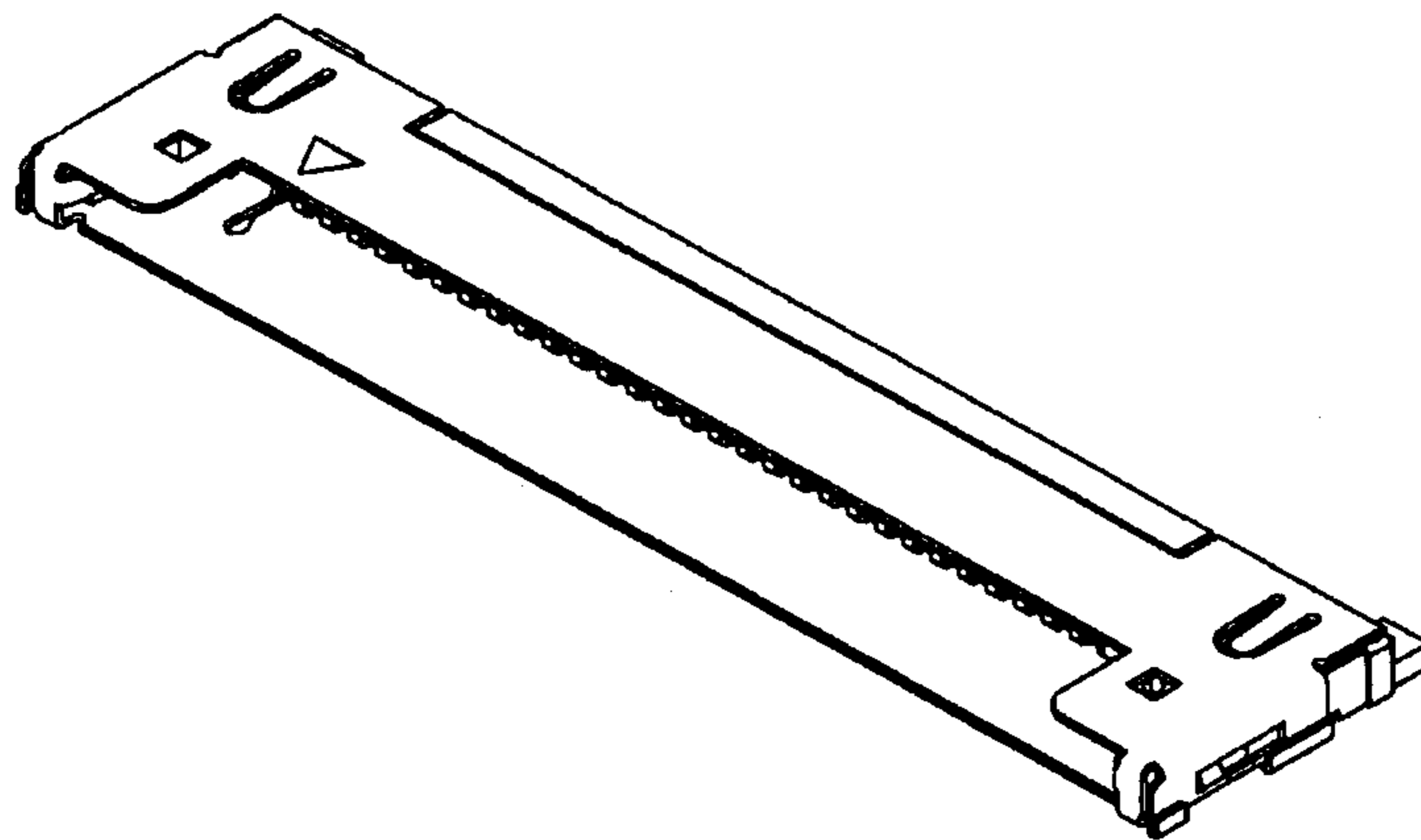


FIG. 10

