

US00D606494S

(12) **United States Design Patent**
Holliday

(10) **Patent No.:** **US D606,494 S**

(45) **Date of Patent:** **** Dec. 22, 2009**

(54) **BULGE-TYPE CABLE CONNECTOR ASSEMBLY**

(76) **Inventor:** **Randall A. Holliday**, 4360 Augusta Dr., Broomfield, CO (US) 80020

(**) **Term:** **14 Years**

(21) **Appl. No.:** **29/313,674**

(22) **Filed:** **Feb. 2, 2009**

Related U.S. Application Data

(63) Continuation-in-part of application No. 29/307,306, filed on Apr. 11, 2008, now Pat. No. Des. 588,991, which is a continuation of application No. 11/262,363, filed on Oct. 29, 2005, now Pat. No. 7,410,389, which is a continuation-in-part of application No. 10/927,884, filed on Aug. 24, 2004, now Pat. No. 7,188,507.

(51) **LOC (9) Cl.** **13-03**

(52) **U.S. Cl.** **D13/133**

(58) **Field of Classification Search** D13/133, D13/149, 151, 153, 154, 156, 199; 439/79, 439/248, 258, 274, 350, 352, 353, 358, 359, 439/362, 378, 445, 447, 578, 584, 585, 656, 439/660, 676, 677, 678, 679, 680, 681, 682, 439/686

See application file for complete search history.

(56) **References Cited**

U.S. PATENT DOCUMENTS

D476,957 S * 7/2003 Chudoba et al. D13/151
6,957,972 B2 * 10/2005 Starke et al. 439/320
D511,497 S * 11/2005 Murphy et al. D13/151

D517,496 S * 3/2006 Montena D13/151
7,309,255 B2 * 12/2007 Rodrigues 439/578
D569,800 S * 5/2008 Holliday D13/133
D588,991 S * 3/2009 Holliday D13/151
2006/0205272 A1 * 9/2006 Rodrigues 439/585

* cited by examiner

Primary Examiner—Daniel D Bui

Assistant Examiner—Thomas J Johannes

(74) *Attorney, Agent, or Firm*—The Reilly Intellectual Property Law Firm, P.C.; John E. Reilly

(57) **CLAIM**

The ornamental design for a bulge-type cable connector assembly, as shown and described.

DESCRIPTION

FIG. 1 is a perspective view of a first embodiment of a bulge-type cable connector assembly showing my new design;

FIG. 2 is a side elevation view thereof;

FIG. 3 is an end plan view thereof;

FIG. 4 is an opposite end plan view;

FIG. 5 is a front perspective view of a second embodiment of a bulge-type cable connector assembly showing my new design;

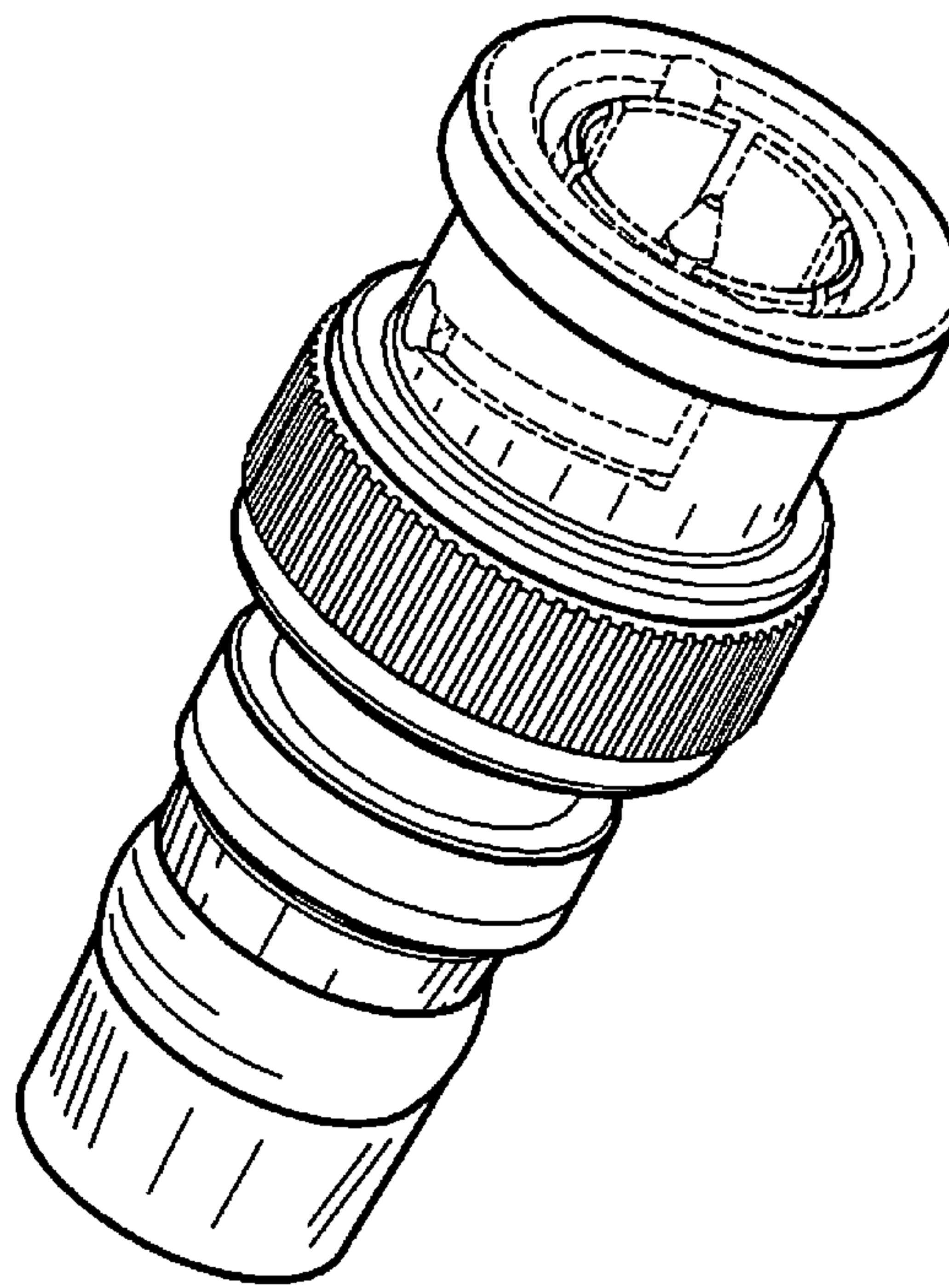
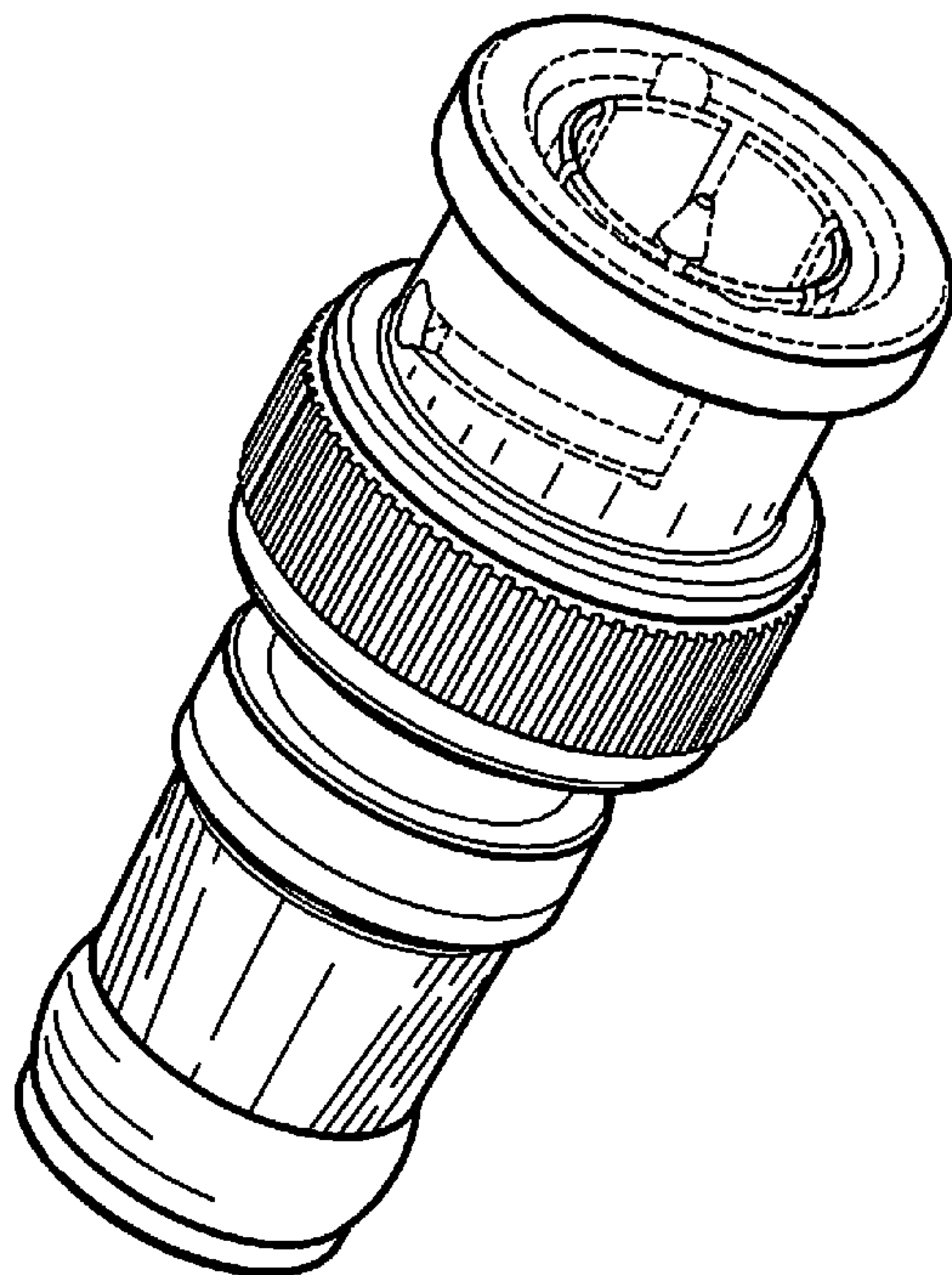
FIG. 6 is a side elevation thereof;

FIG. 7 is an end plan view thereof; and,

FIG. 8 is an opposite end plan view thereof.

The broken line showing of the environment is for illustrative purposes only and forms no part of the claimed design.

1 Claim, 2 Drawing Sheets



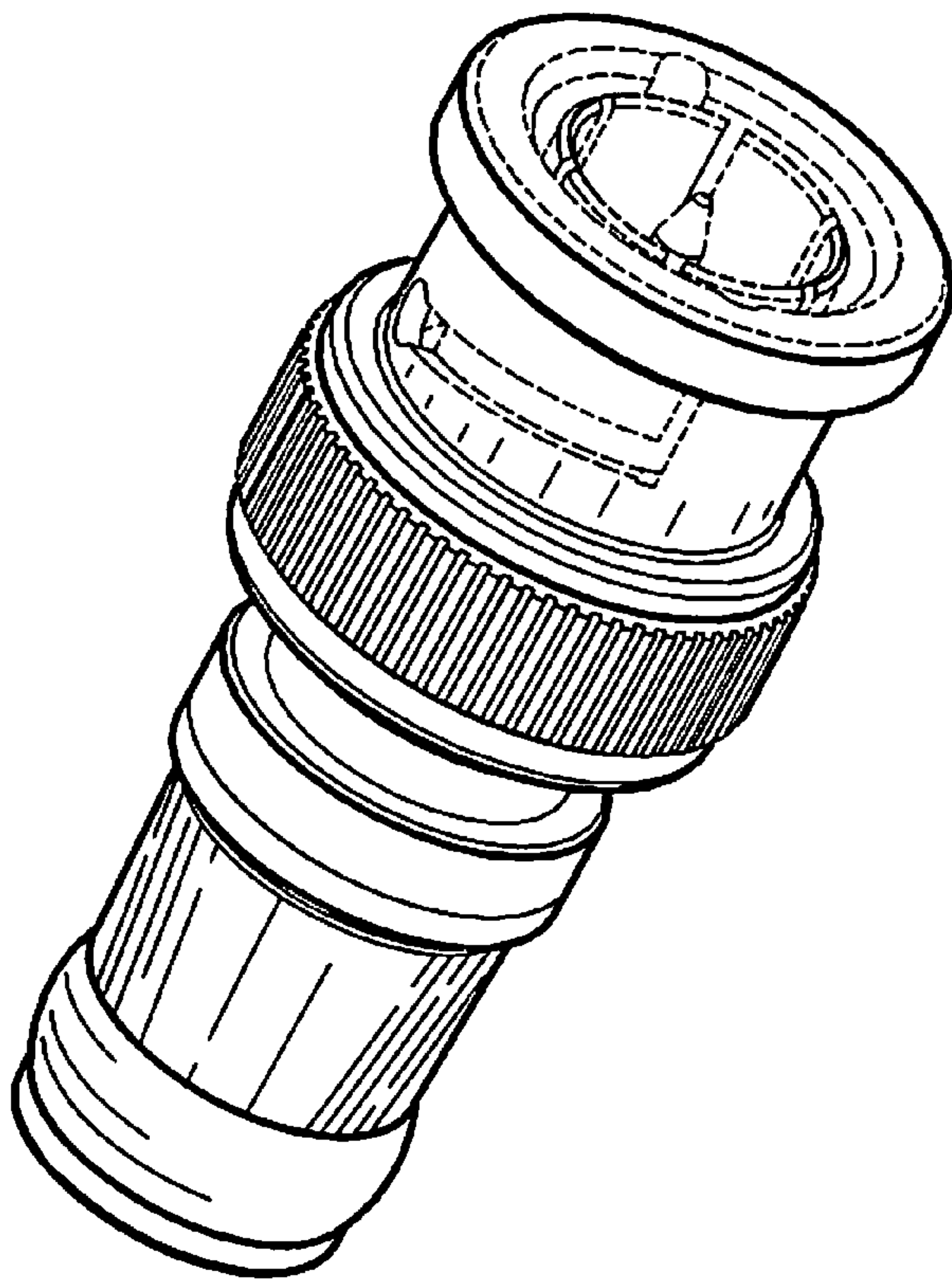


Fig. 1

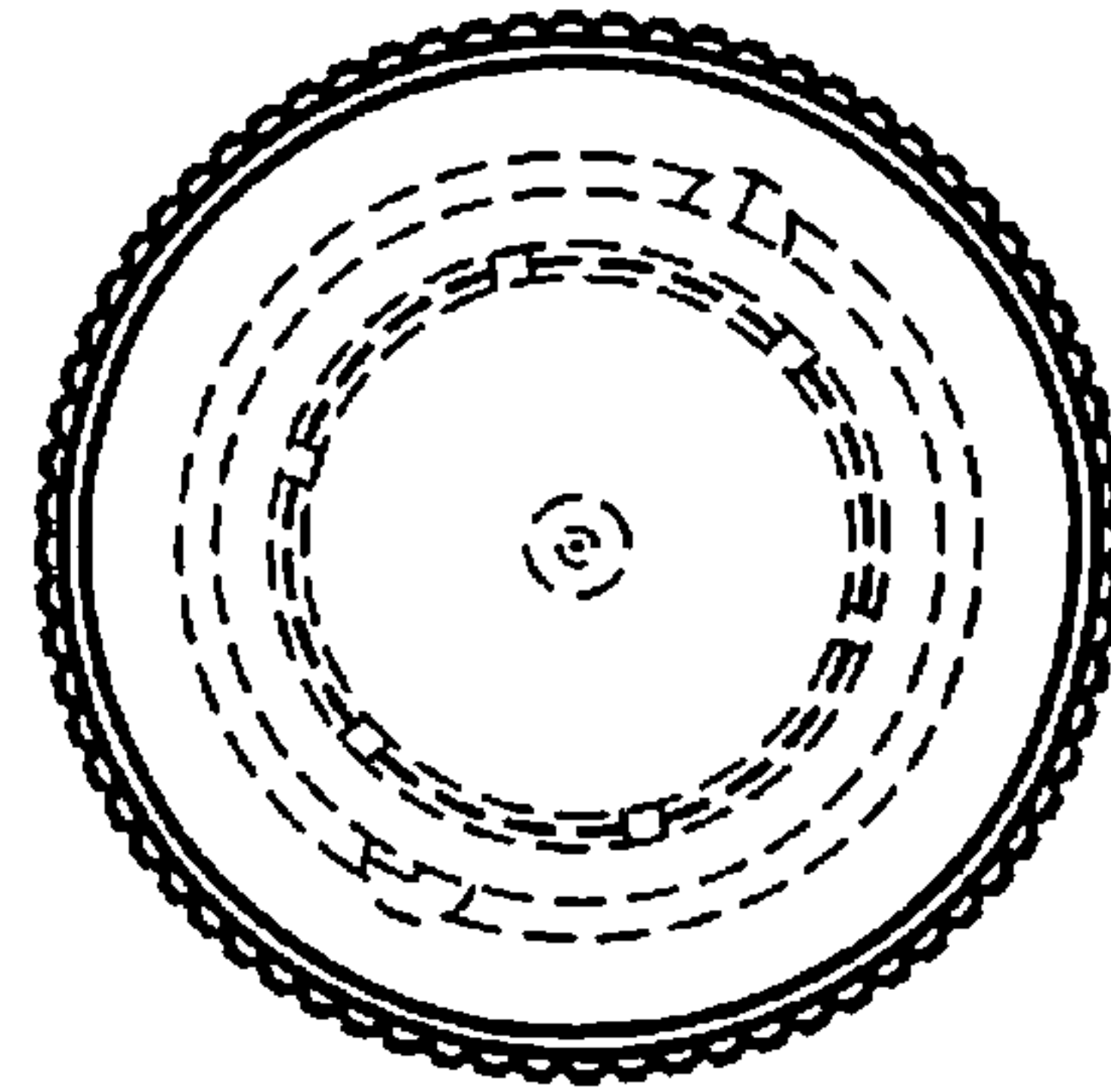


Fig. 4

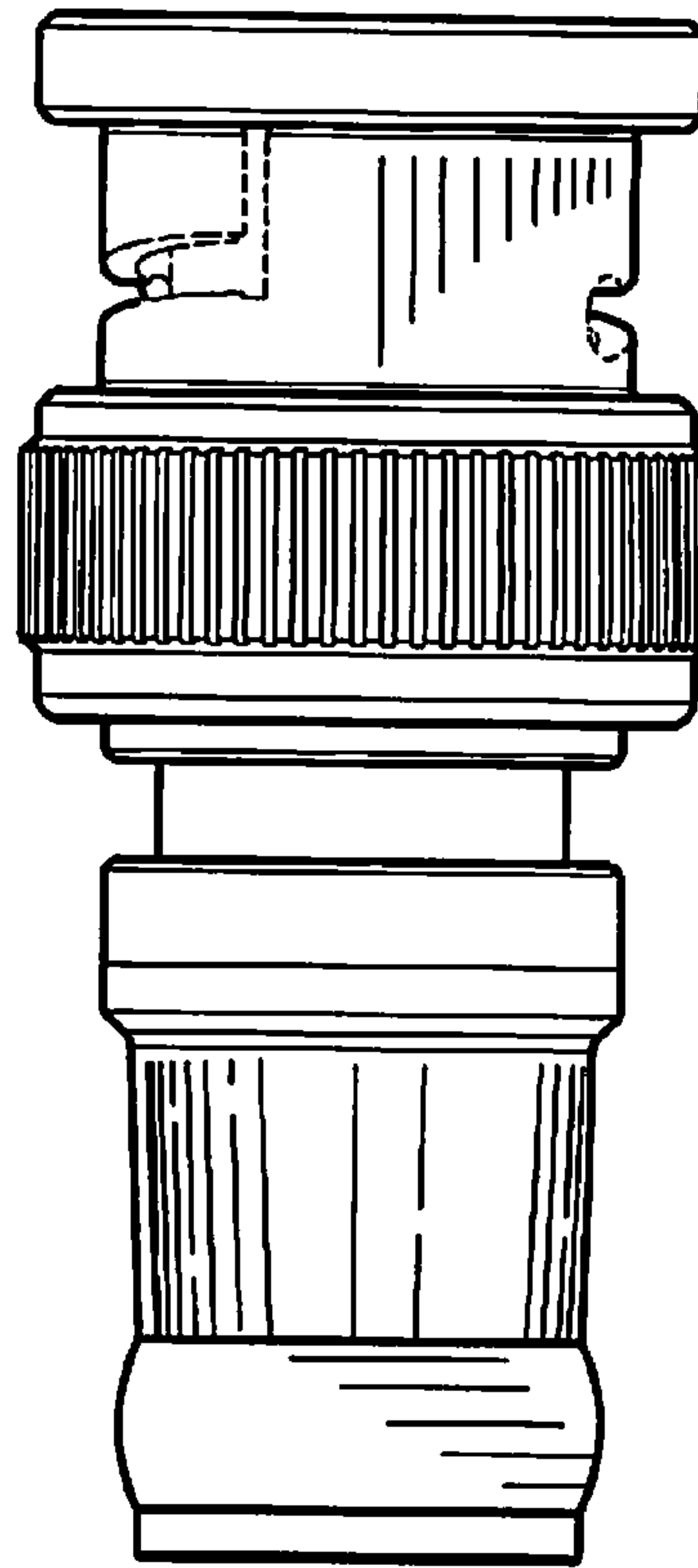


Fig. 2

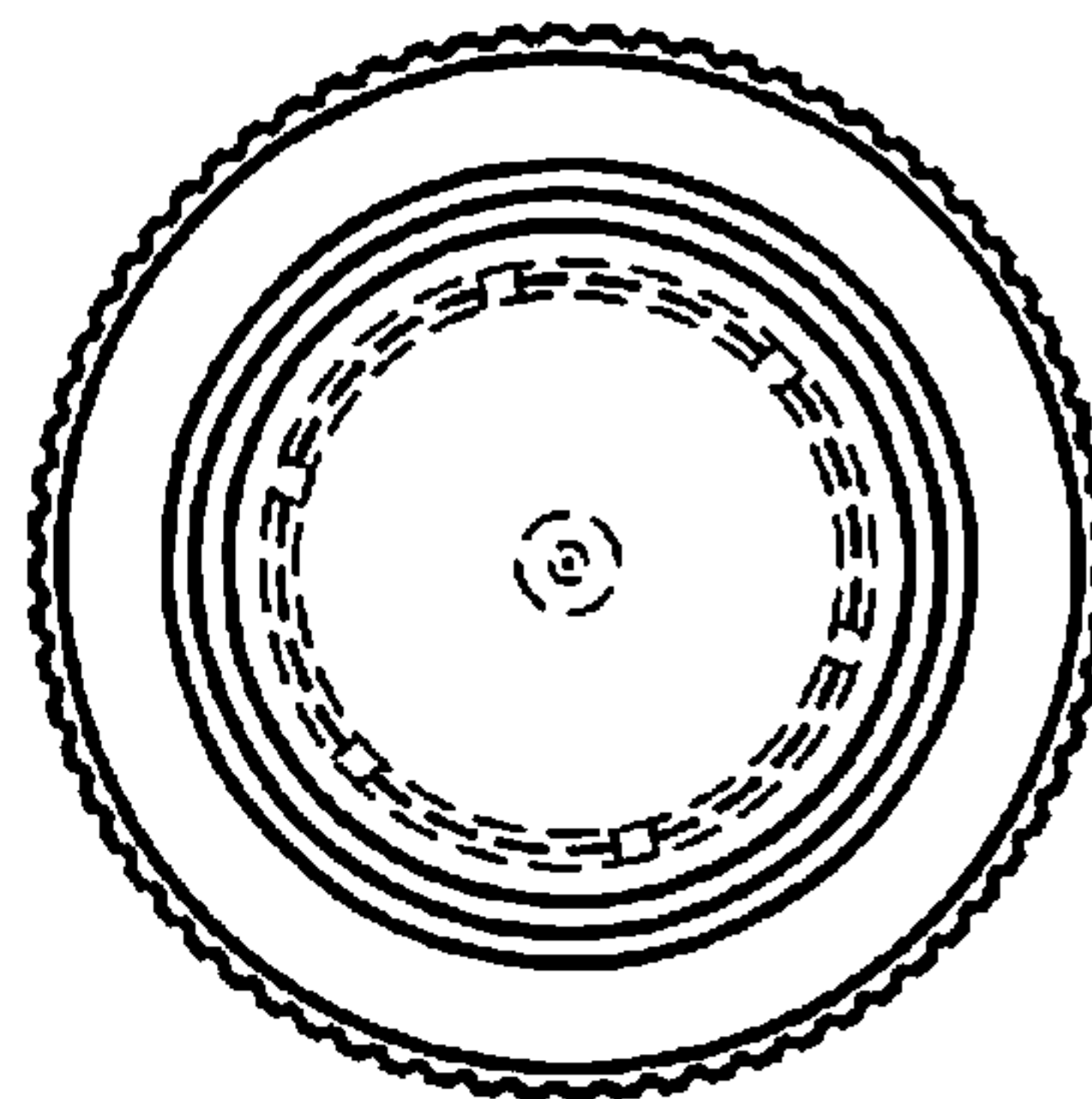


Fig. 3

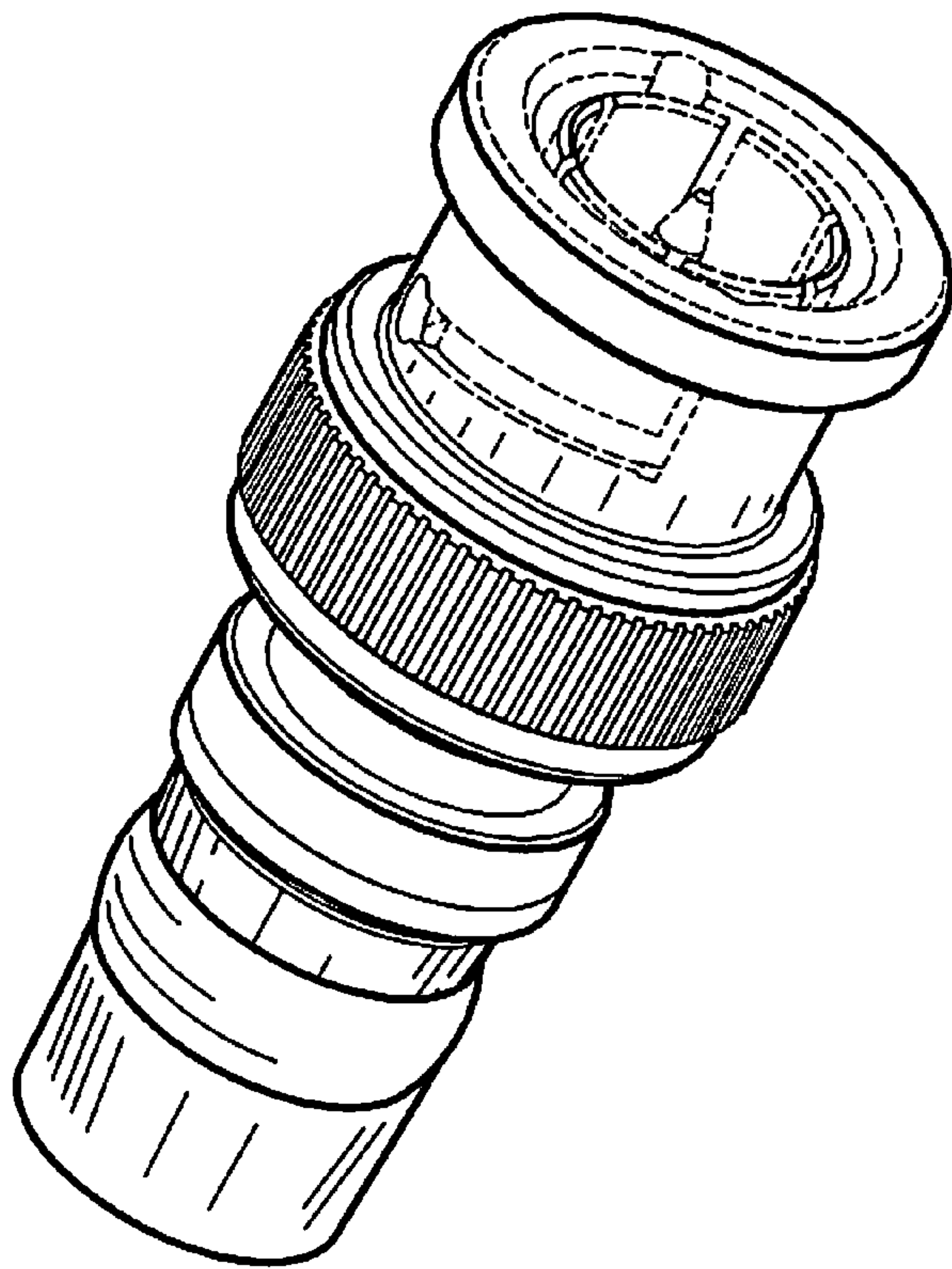


Fig. 5

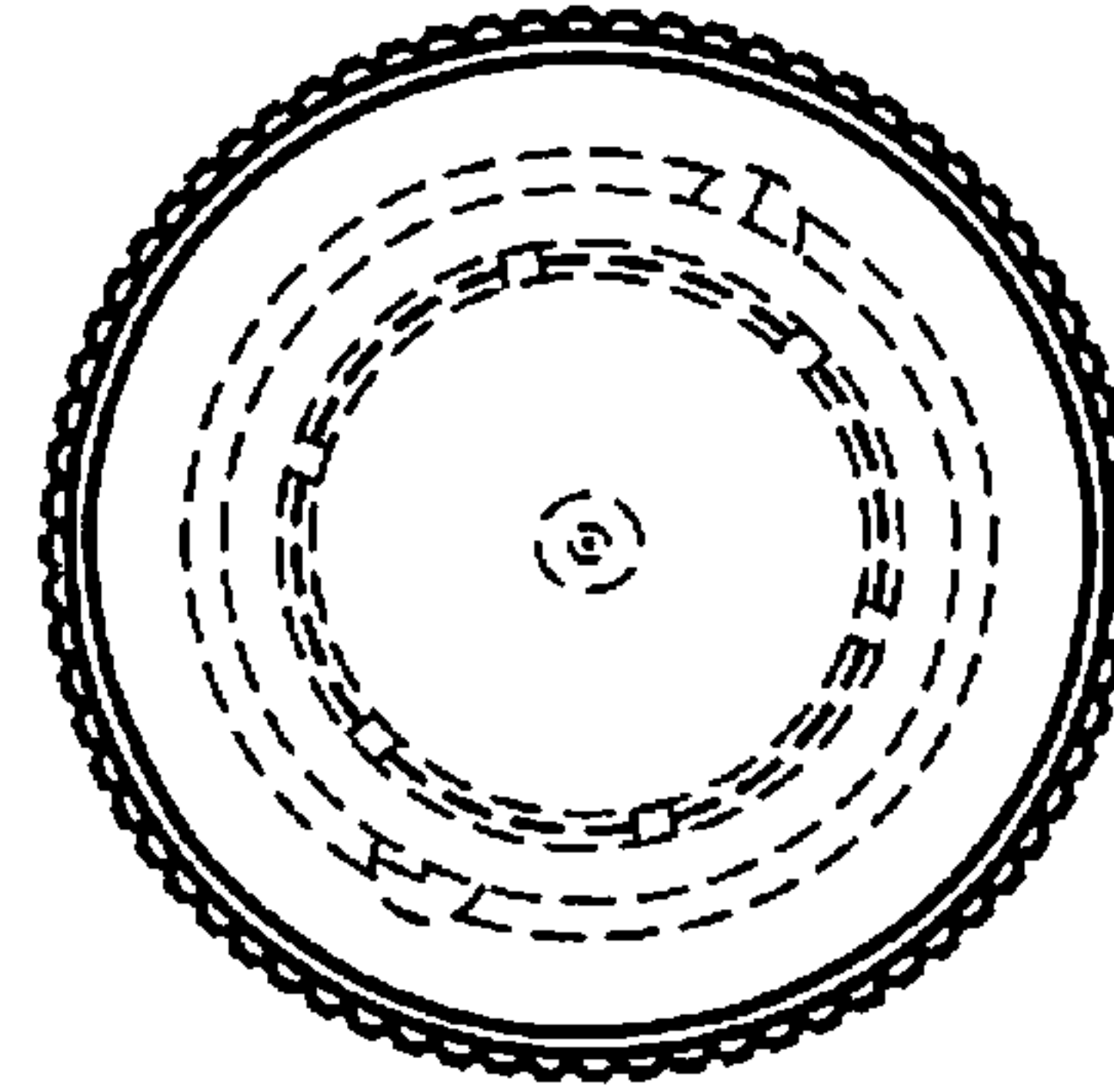


Fig. 8

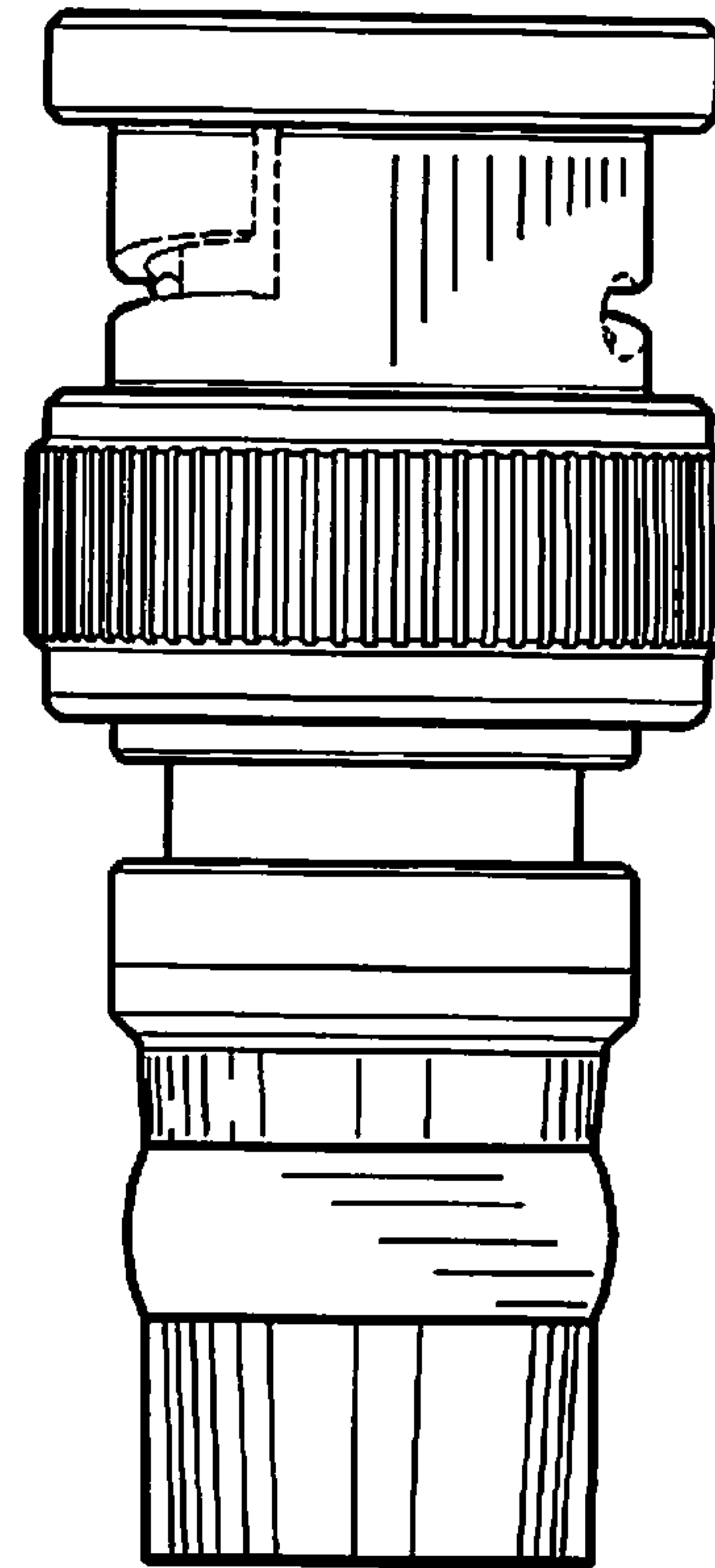


Fig. 6

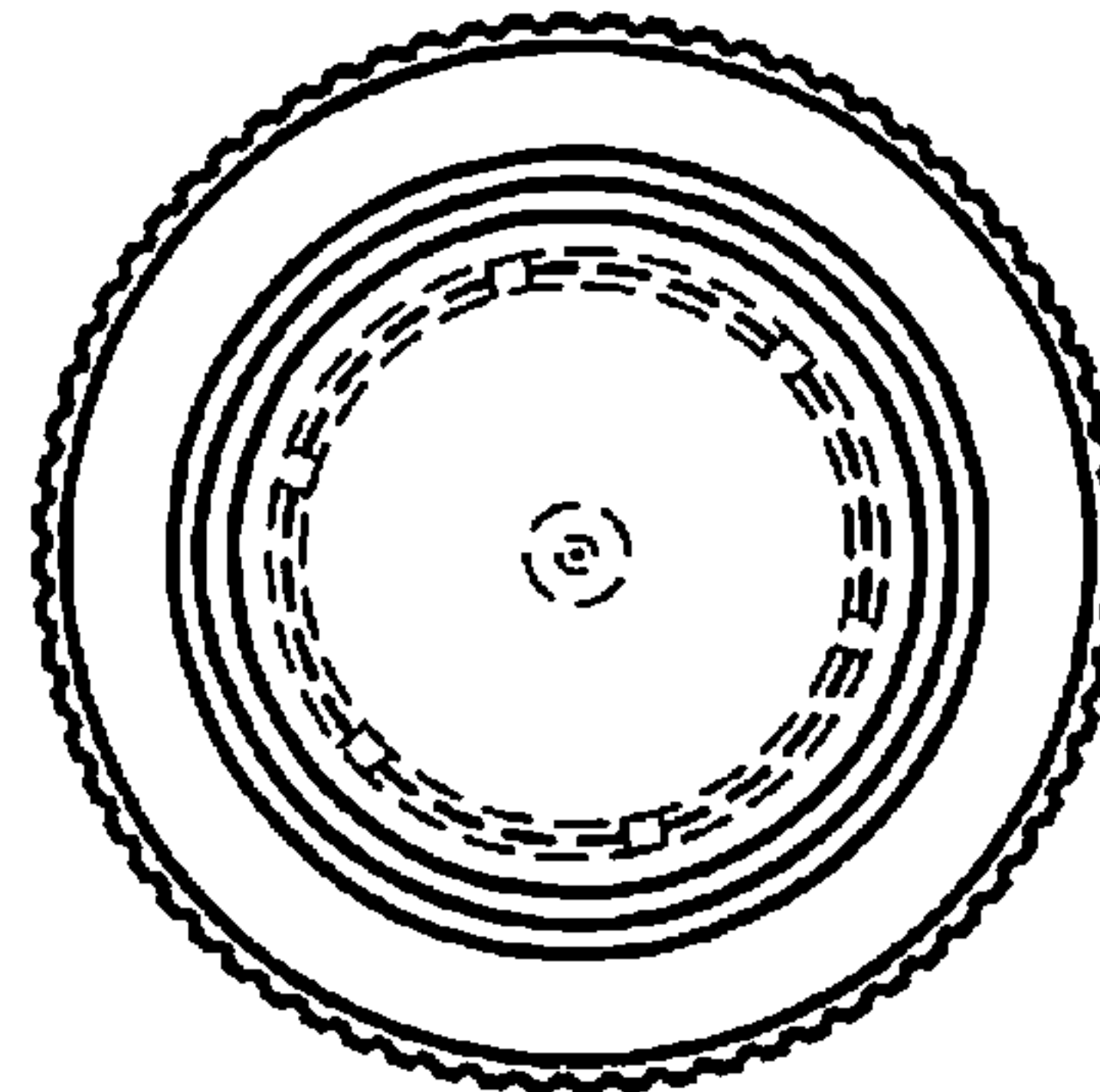


Fig. 7