



US00D606493S

(12) **United States Design Patent**  
**Yuan**

(10) **Patent No.:** **US D606,493 S**

(45) **Date of Patent:** **\*\* Dec. 22, 2009**

(54) **ELECTRICAL CONNECTOR**

(75) Inventor: **Wei Yuan**, ShenZhen (CN)

(73) Assignee: **Hon Hai Precision Ind. Co., Ltd.**,  
Taipei Hsien (TW)

(\*\*) Term: **14 Years**

(21) Appl. No.: **29/313,458**

(22) Filed: **Jan. 8, 2009**

(30) **Foreign Application Priority Data**

Jul. 8, 2008 (CN) ..... 208 3 0195628

(51) **LOC (9) Cl.** ..... **13-03**

(52) **U.S. Cl.** ..... **D13/133**

(58) **Field of Classification Search** ..... D13/133,  
D13/154, 146, 147, 151, 184, 199; 439/148,  
439/350, 352, 354, 357, 603, 607, 660, 677,  
439/680, 681, 682, 752

See application file for complete search history.

(56) **References Cited**

**U.S. PATENT DOCUMENTS**

5,194,016 A \* 3/1993 Hatagishi et al. .... 439/489  
D384,035 S \* 9/1997 Kuprewicz et al. .... D13/133  
D389,121 S \* 1/1998 Kuprewicz et al. .... D13/133  
D405,417 S \* 2/1999 Matthews ..... D13/147  
D413,101 S \* 8/1999 Avery et al. .... D13/147  
D457,500 S \* 5/2002 Blashewski et al. .... D13/162

D462,055 S \* 8/2002 Shi et al. .... D13/133  
D471,875 S \* 3/2003 Woelfle ..... D13/149  
D518,773 S \* 4/2006 Kurasaki ..... D13/133  
D561,101 S \* 2/2008 Sakamoto ..... D13/133  
2008/0220657 A1\* 9/2008 Rascon et al. .... 439/676

\* cited by examiner

*Primary Examiner*—Daniel D Bui

*Assistant Examiner*—Thomas J Johannes

(74) *Attorney, Agent, or Firm*—Wei Te Chung; Andrew C.  
Cheng; Ming Chieh Chang

(57) **CLAIM**

The ornamental design for an electrical connector, as shown  
and described.

**DESCRIPTION**

FIG. 1 is a front, top and left side perspective view of an  
electrical connector showing my new design;

FIG. 2 is a front elevational view thereof;

FIG. 3 is a rear elevational view thereof;

FIG. 4 is a left side elevational view thereof;

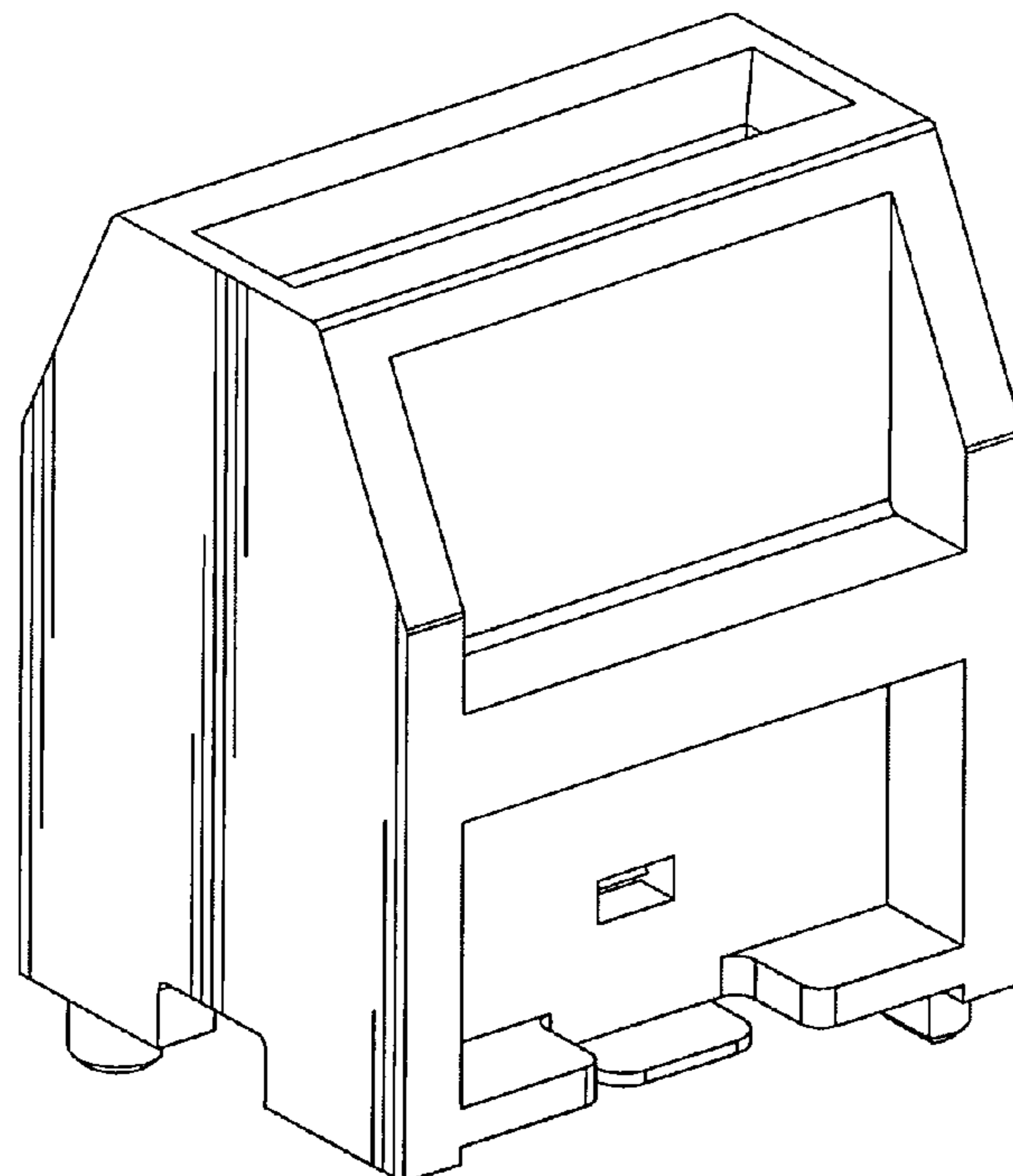
FIG. 5 is a right side elevational view thereof;

FIG. 6 is a top plan view thereof; and,

FIG. 7 is a bottom plan view thereof.

The broken line portion of the figure drawings is included to  
show unclaimed subject matter only and forms no part of the  
claimed design.

**1 Claim, 7 Drawing Sheets**



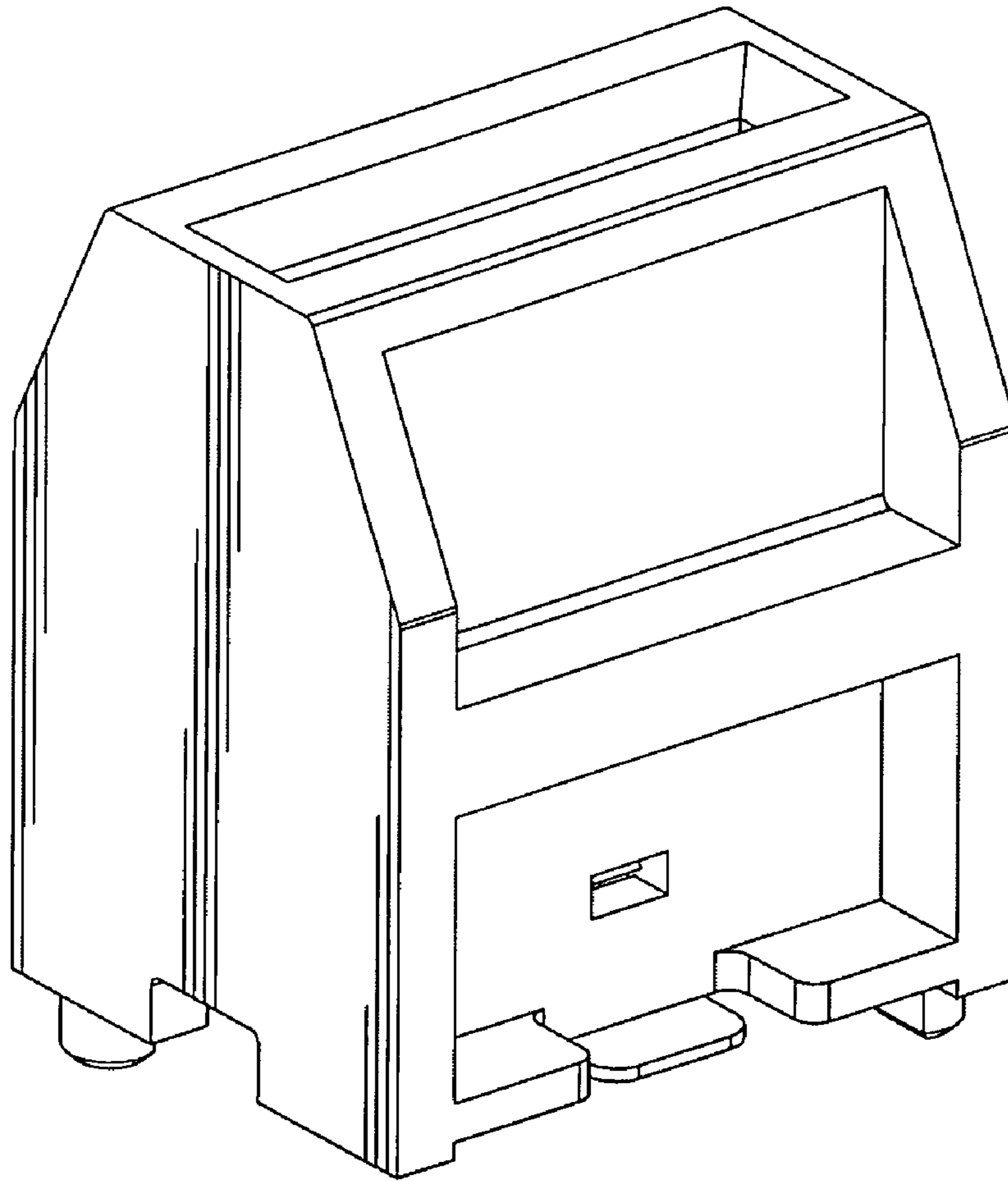


FIG. 1

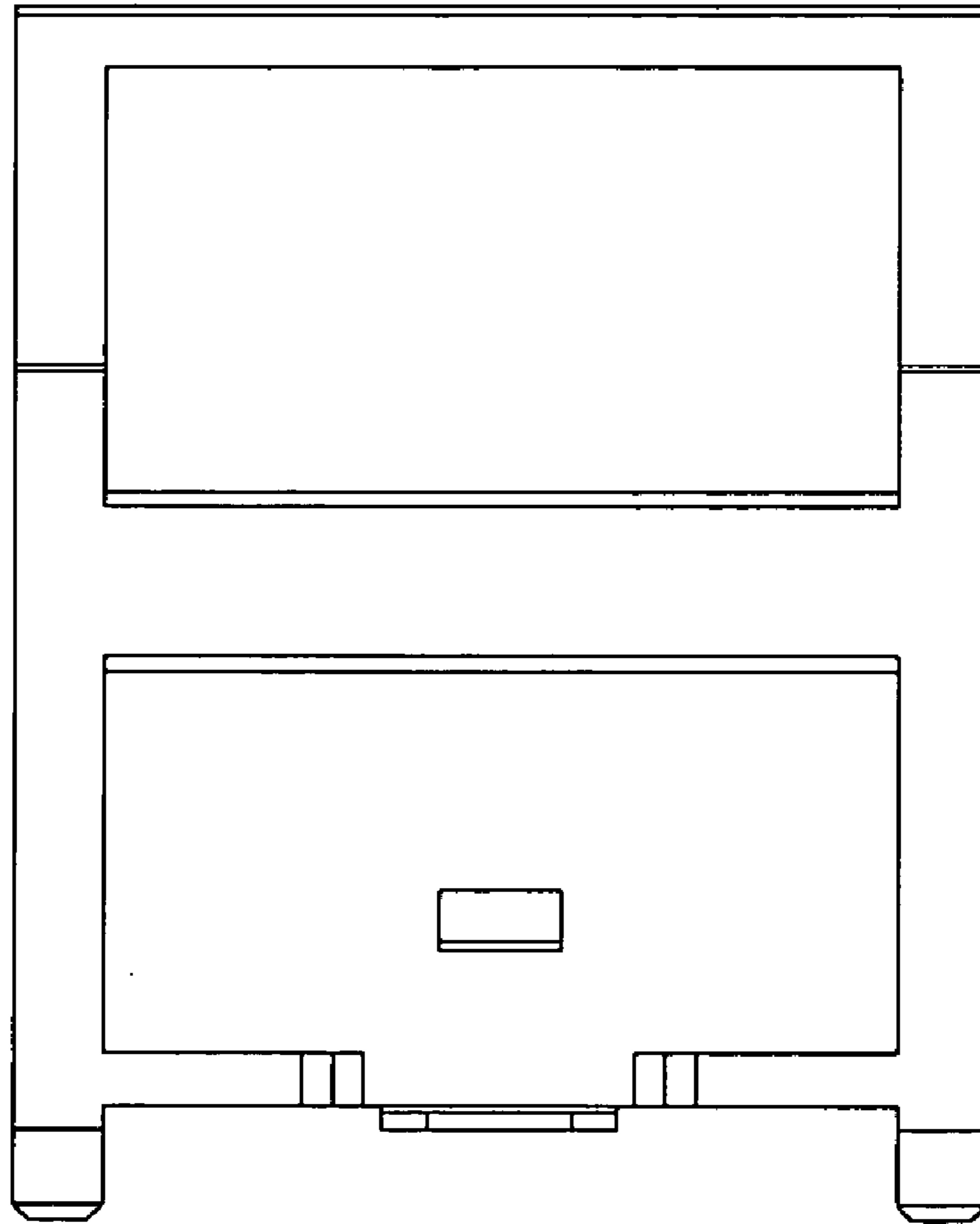


FIG. 2

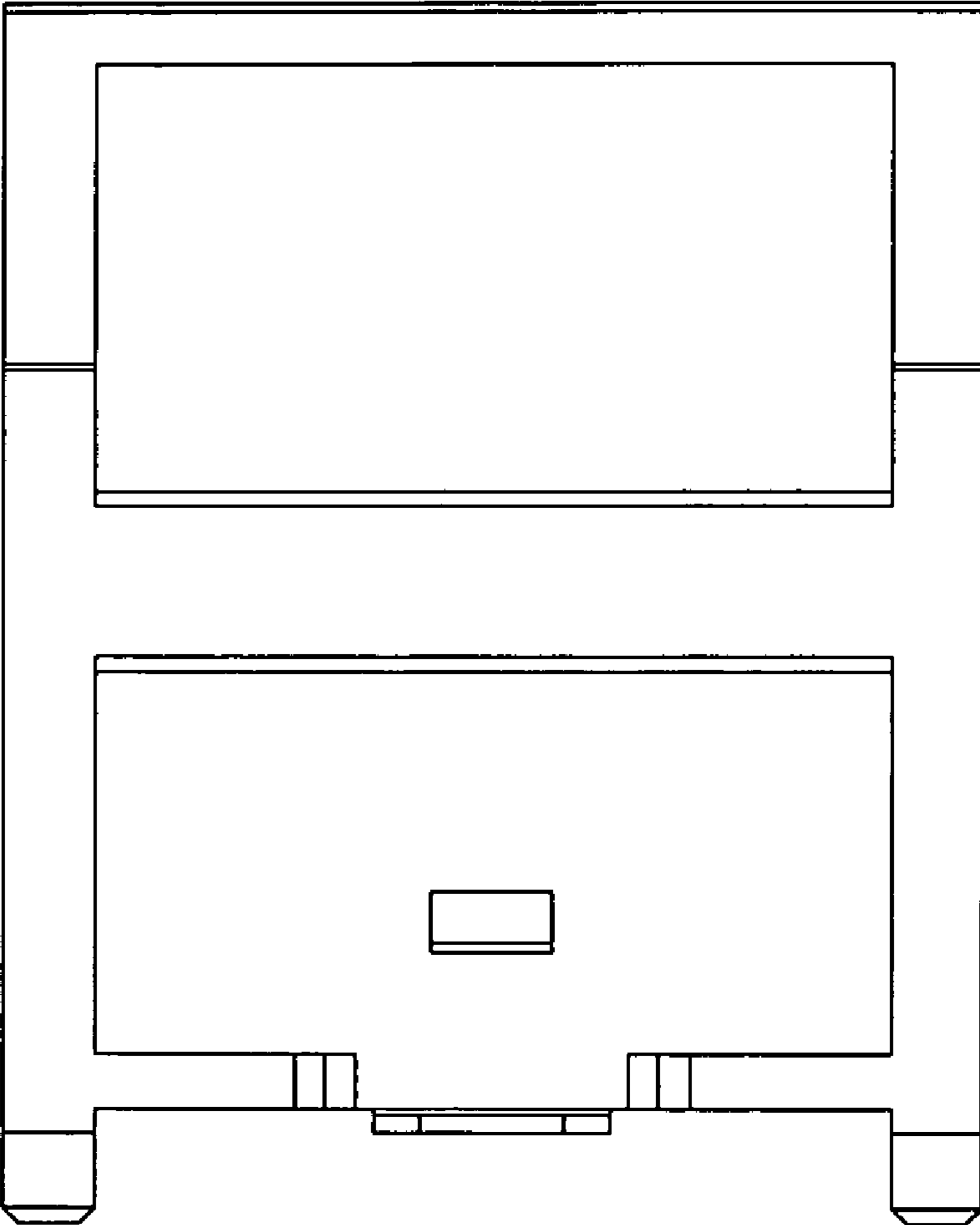


FIG. 3

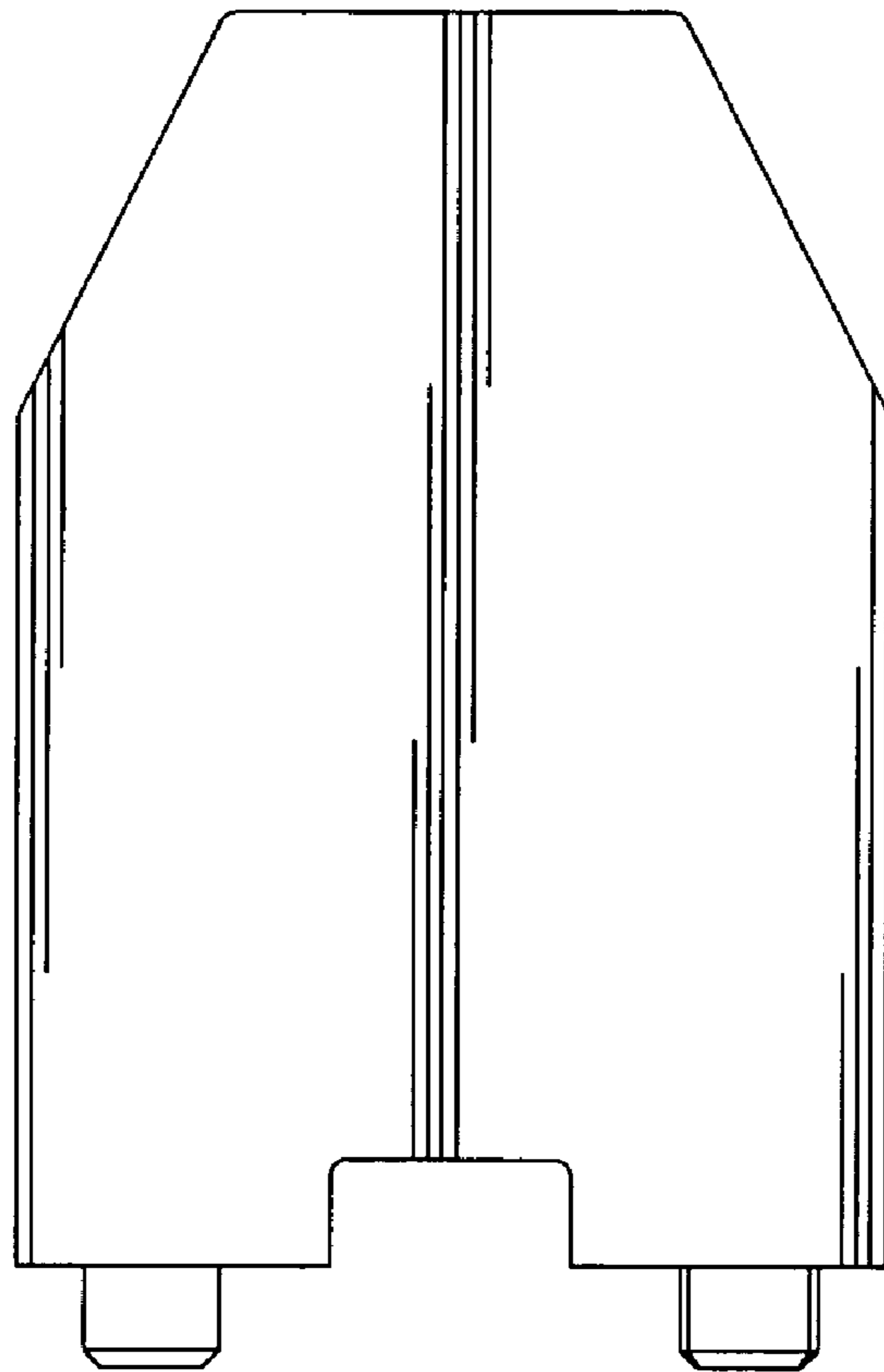


FIG. 4

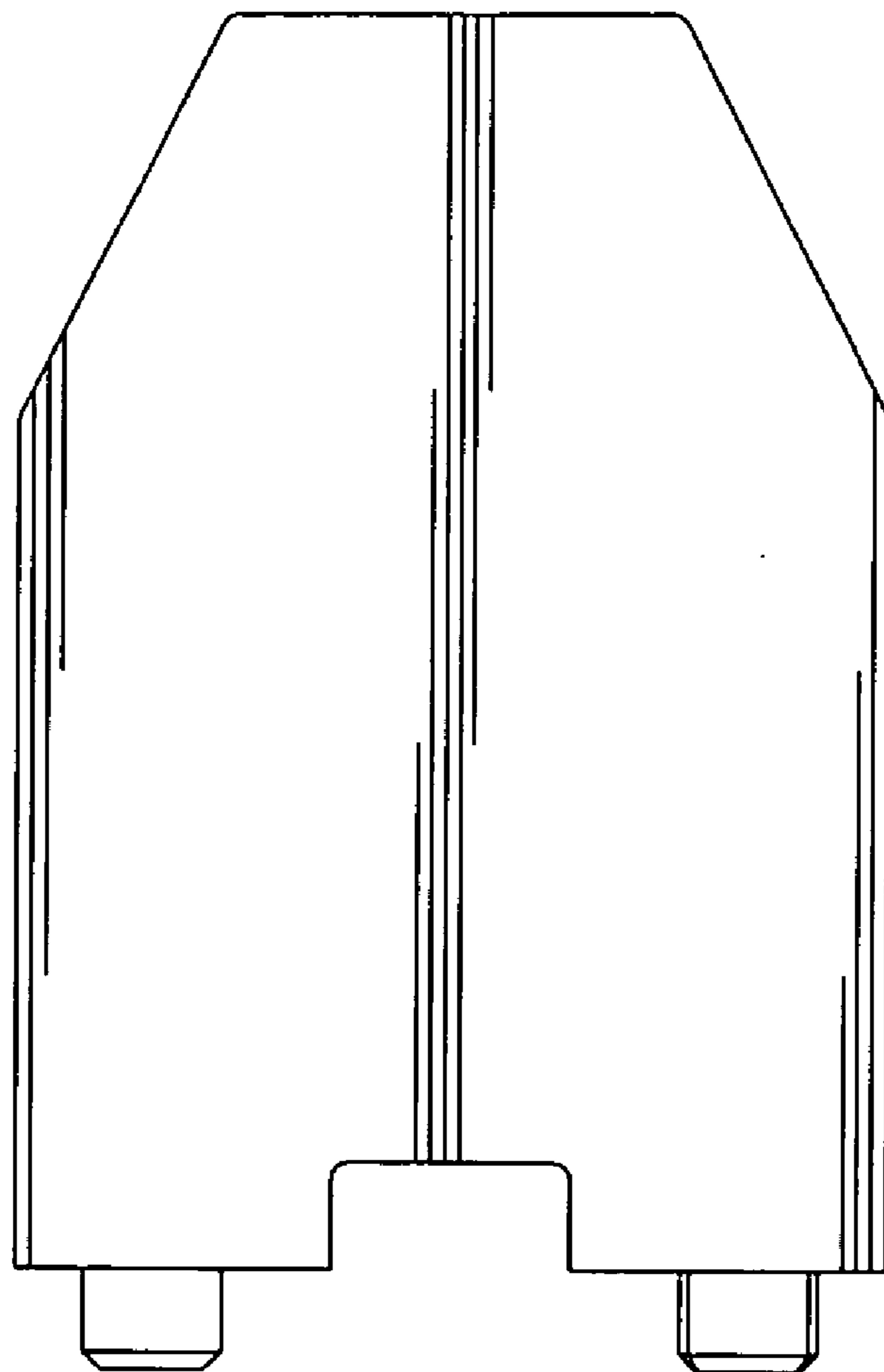


FIG. 5

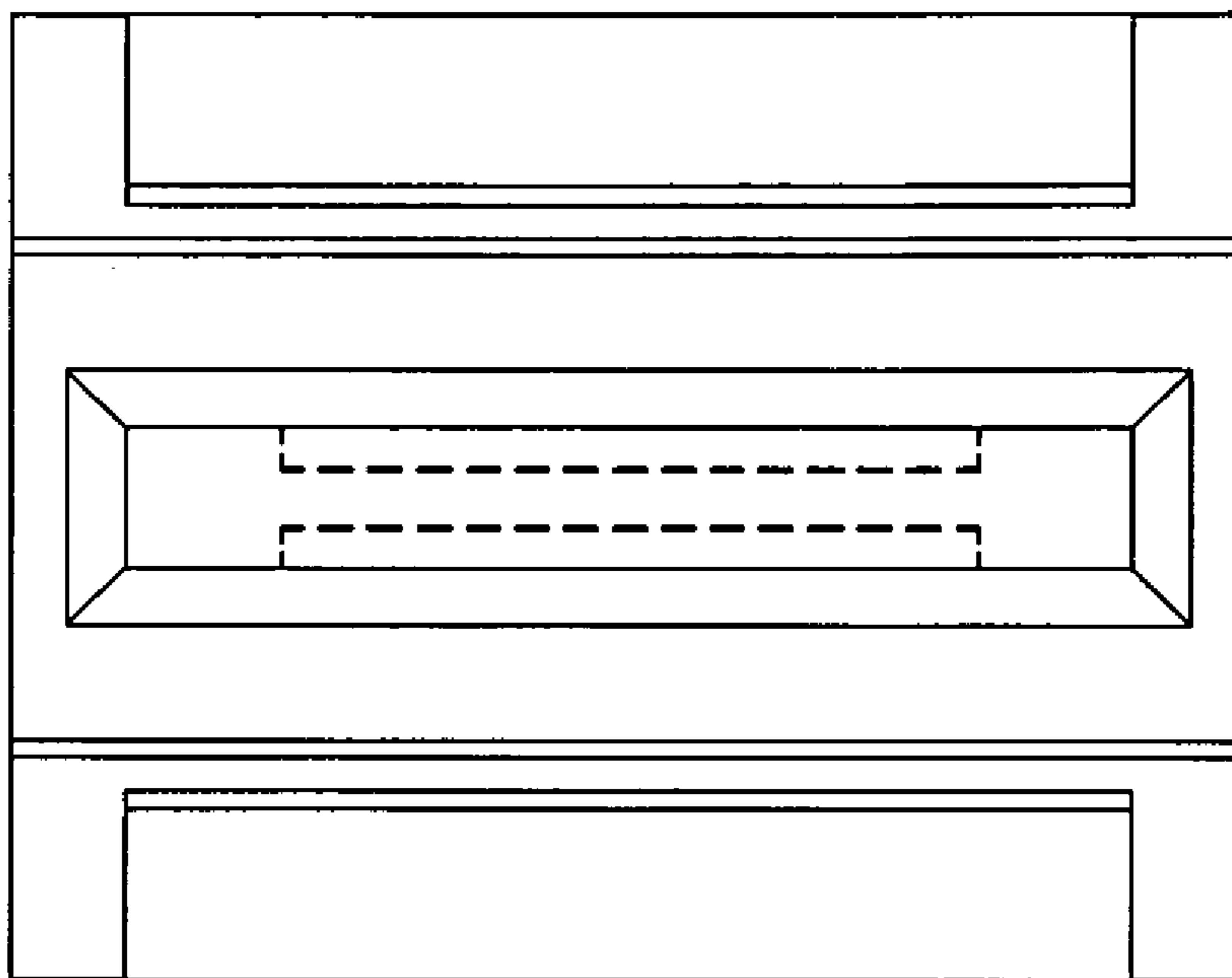


FIG. 6

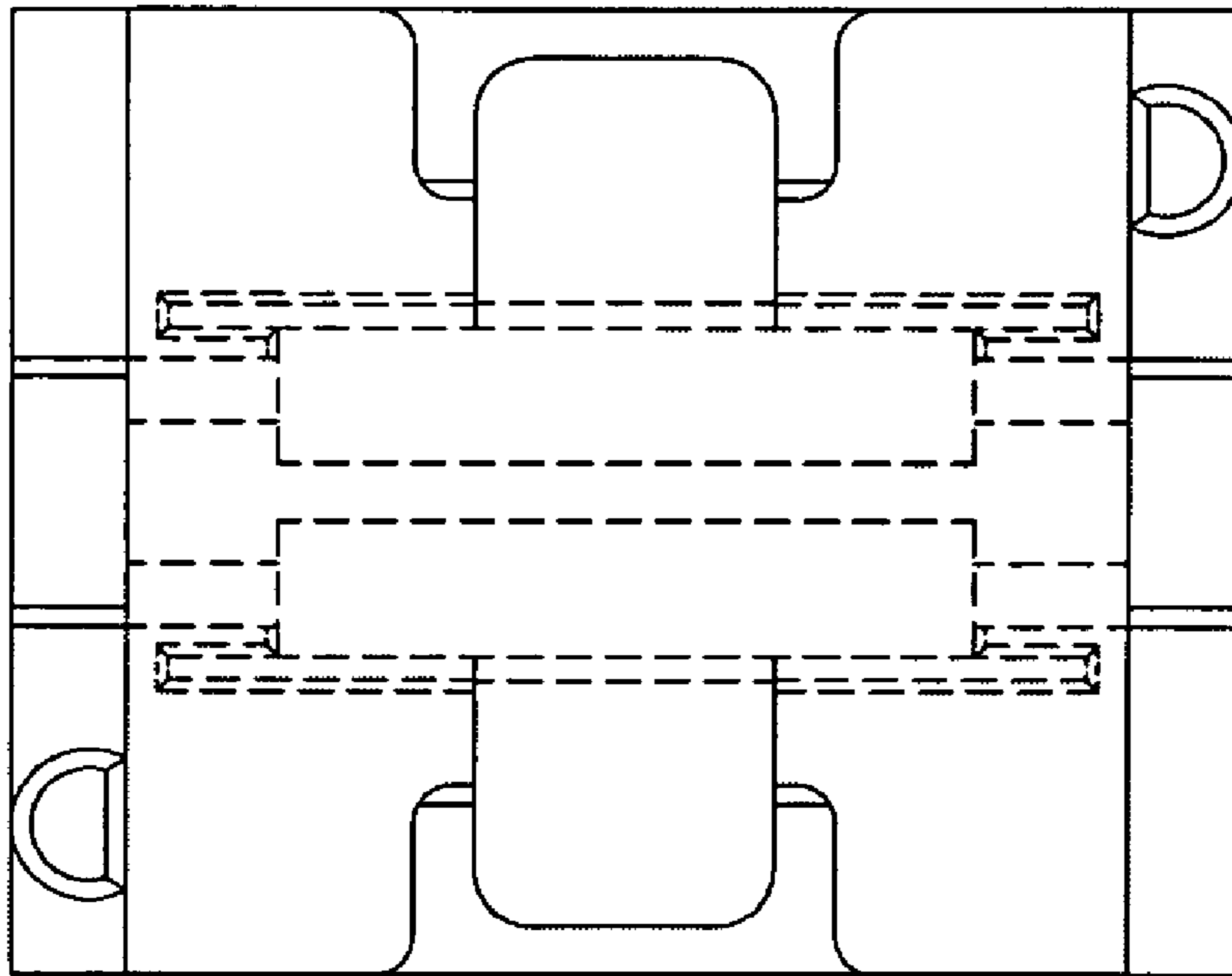


FIG. 7