



US00D606492S

(12) **United States Design Patent**
Steinfels

(10) **Patent No.:** **US D606,492 S**

(45) **Date of Patent:** **** Dec. 22, 2009**

(54) **HINGED BATTERY COVER**

(75) Inventor: **Craig Steinfels**, Jackson, TN (US)

(73) Assignee: **Black & Decker Inc.**, Newark, DE (US)

(**) Term: **14 Years**

(21) Appl. No.: **29/319,982**

(22) Filed: **Jun. 18, 2008**

(51) **LOC (9) Cl.** **13-02**

(52) **U.S. Cl.** **D13/119**

(58) **Field of Classification Search** D13/102–108,
D13/110, 118–119, 156, 184; 429/96–100,
429/163, 176

See application file for complete search history.

(56) **References Cited**

U.S. PATENT DOCUMENTS

D310,320 S *	9/1990	Domian	D8/350
D331,385 S *	12/1992	Oka	D13/110
D379,970 S *	6/1997	Chambers et al.	D13/156
D395,283 S *	6/1998	Monaco et al.	D13/156
D399,190 S *	10/1998	Dale et al.	D13/184
D411,826 S *	7/1999	Lamar et al.	D13/139.6
D462,939 S *	9/2002	Dinh	D13/156
D486,452 S *	2/2004	Dinh	D13/156
D506,065 S *	6/2005	Sugino et al.	D3/294
D529,447 S *	10/2006	Greenfield	D13/156

* cited by examiner

Primary Examiner—Rosemary K Tarca

(74) *Attorney, Agent, or Firm*—Wesley W. Muller

(57) **CLAIM**

The ornamental design for a hinged battery cover, as shown and described.

DESCRIPTION

FIG. 1 is a front perspective view of a hinged battery cover according to the present invention;

FIG. 2 is an alternate perspective view of the hinged battery cover in the open position of FIG. 1;

FIG. 3 is a right view of the hinged battery cover of FIG. 1;

FIG. 4 is a left view of the hinged battery cover of FIG. 1;

FIG. 5 is a top view of the hinged battery cover of FIG. 1;

FIG. 6 is a bottom view of the hinged battery cover of FIG. 1;

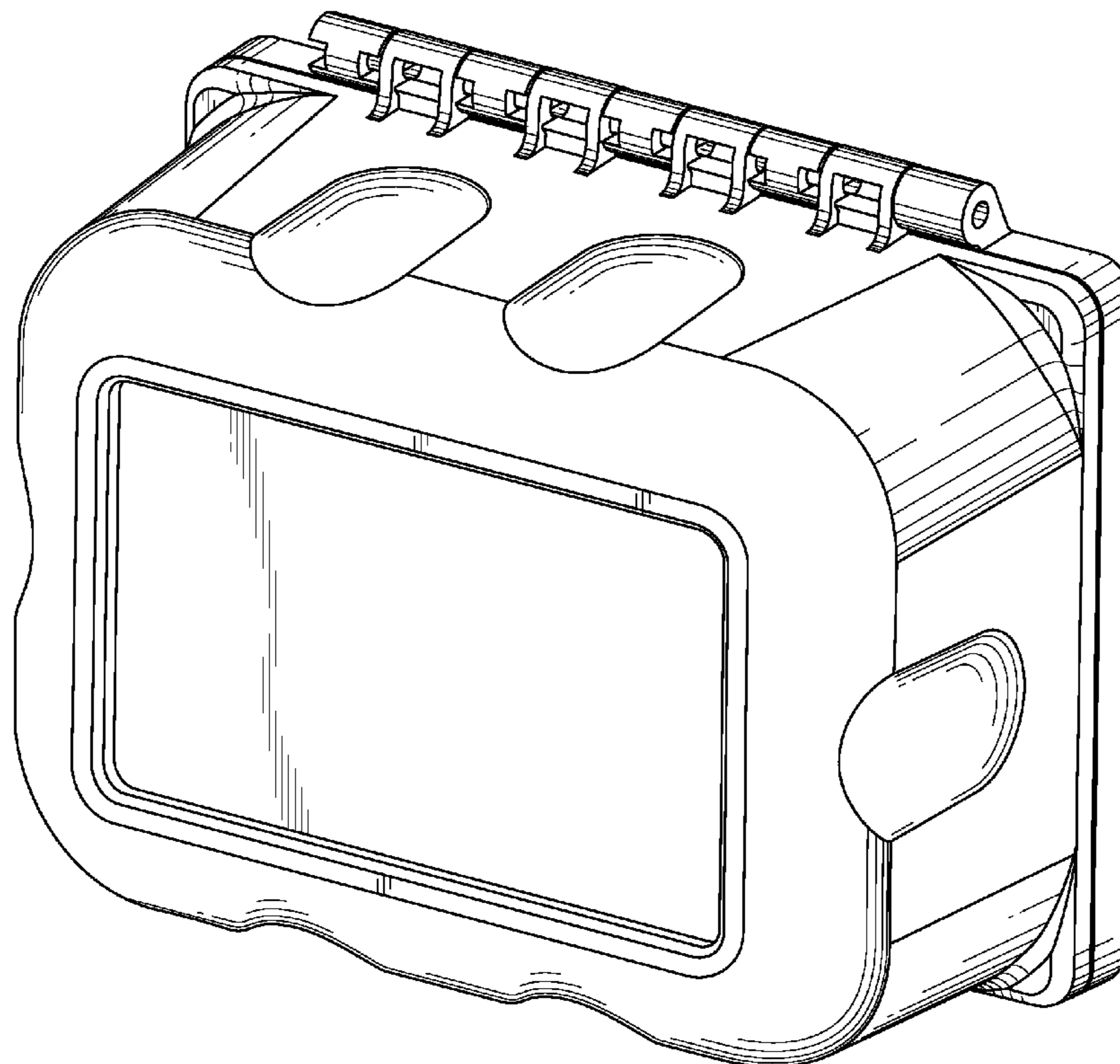
FIG. 7 is a front side view of the hinged battery cover of FIG. 1; and

FIG. 8 is a rear side view of the hinged battery cover of FIG. 1; and,

FIG. 9 is a perspective view of the hinged battery cover of FIG. 1, shown with its environment in phantom lines.

The broken lines shown in the drawings are included for the purpose of illustrating environmental structure and form no part of the claimed design.

1 Claim, 9 Drawing Sheets



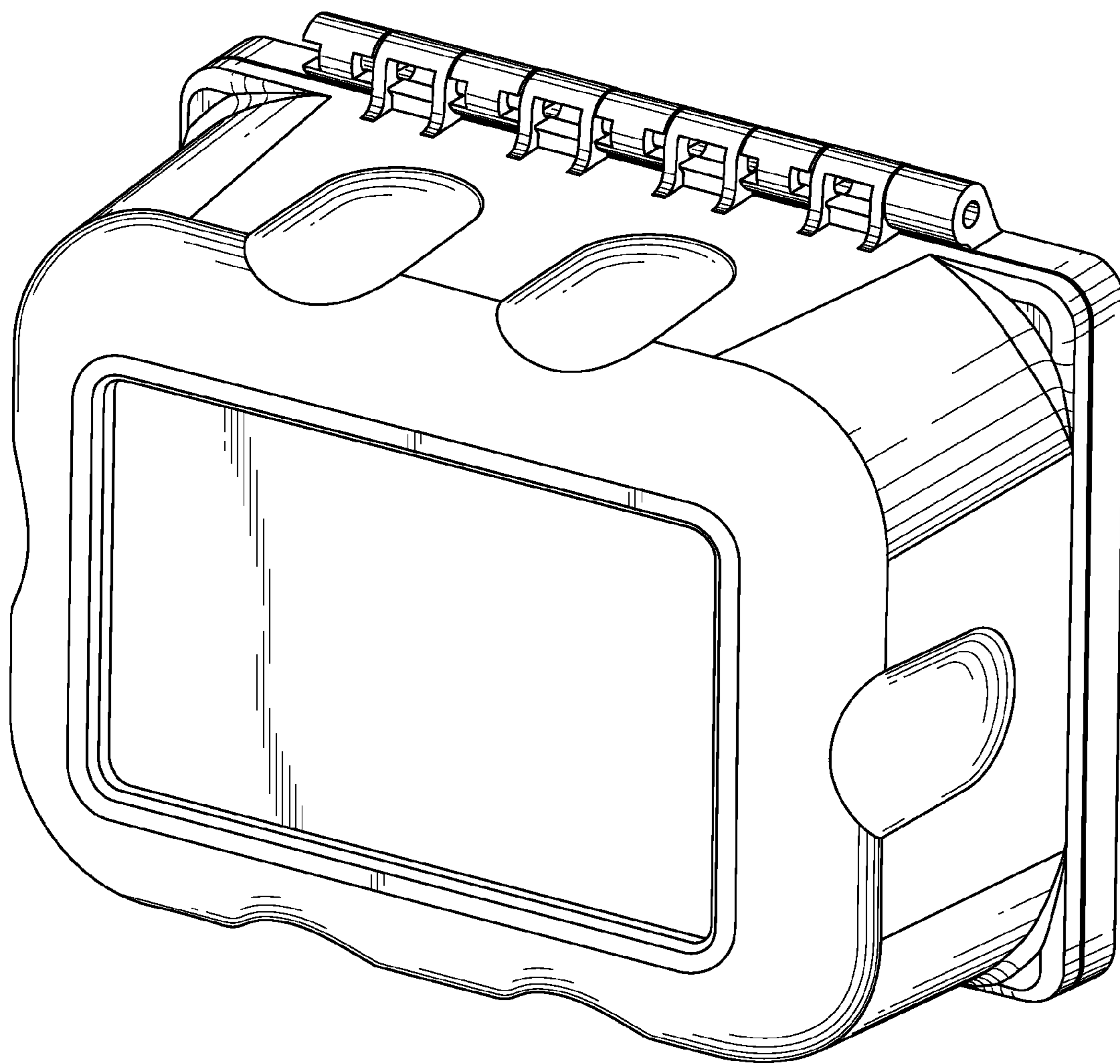


Fig. 1

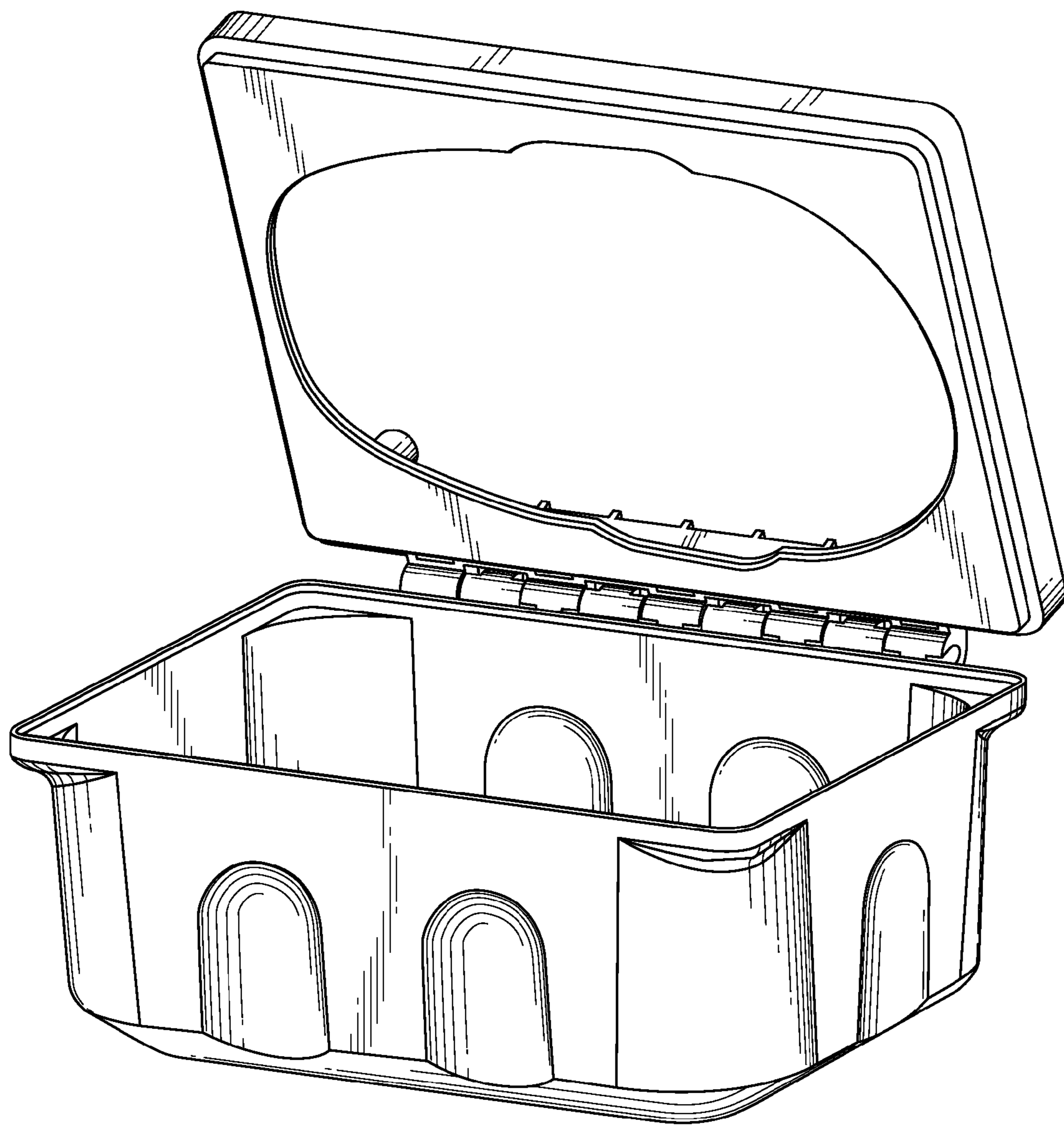


Fig. 2

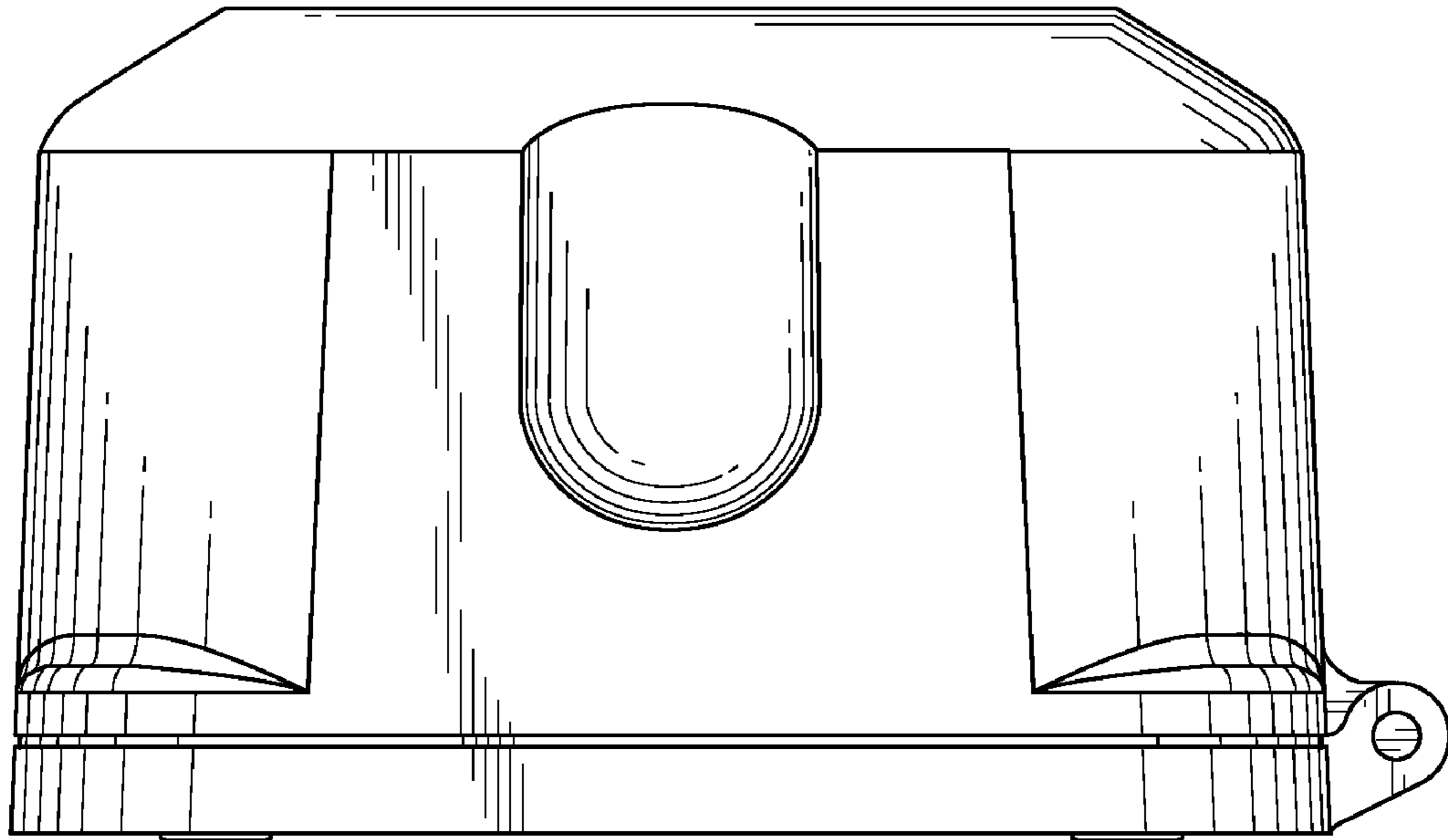


Fig. 3

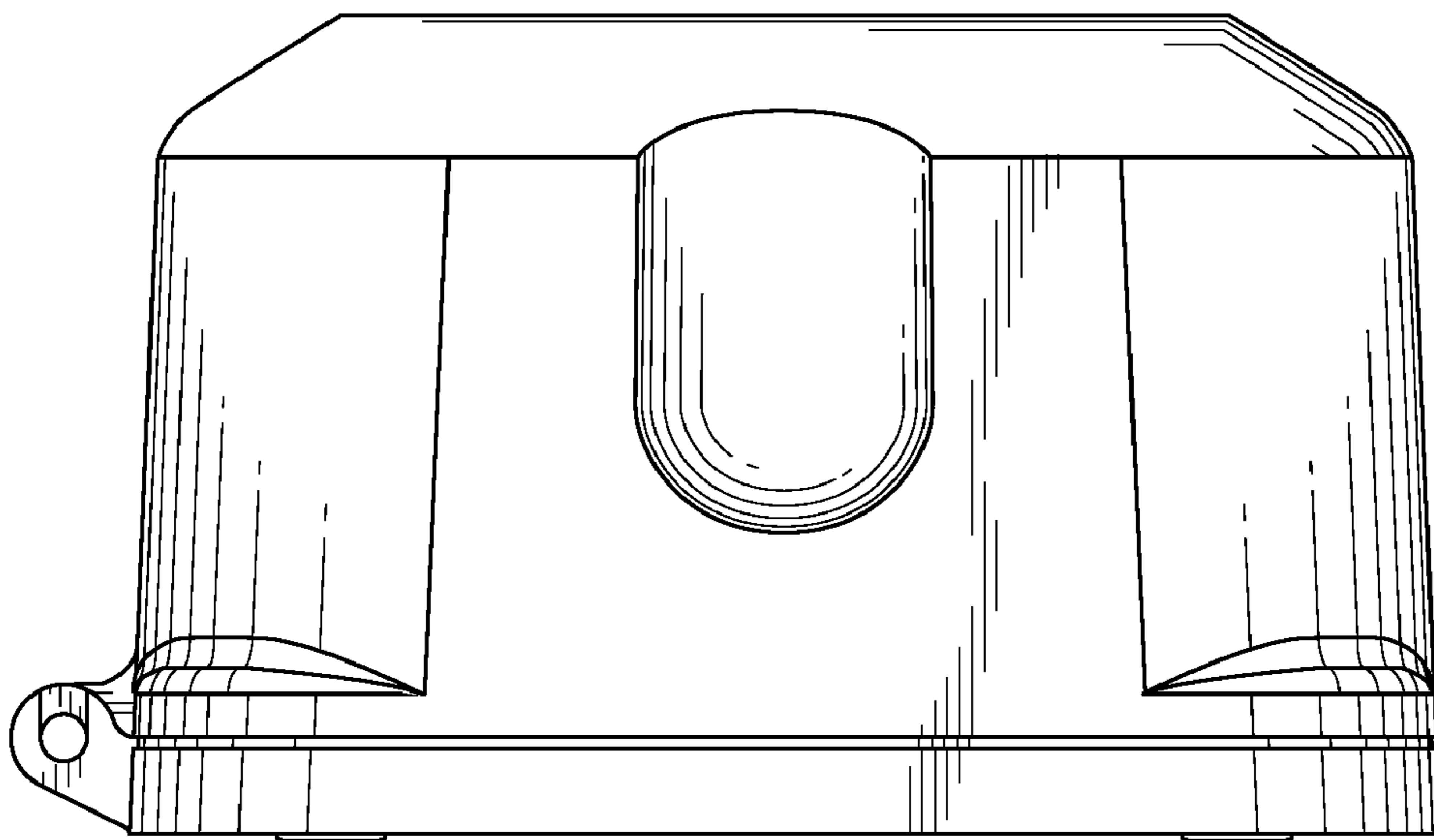


Fig. 4

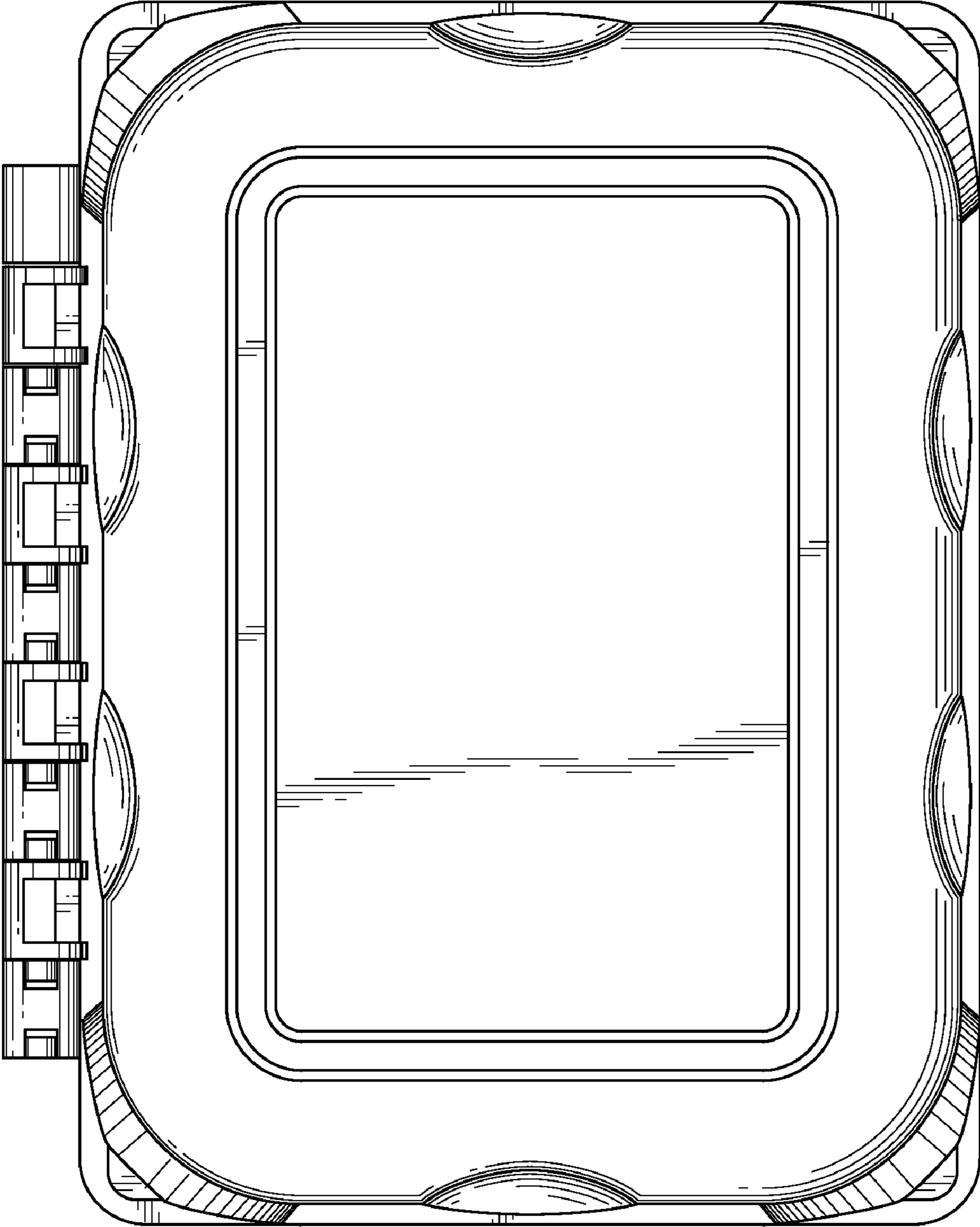


Fig. 5

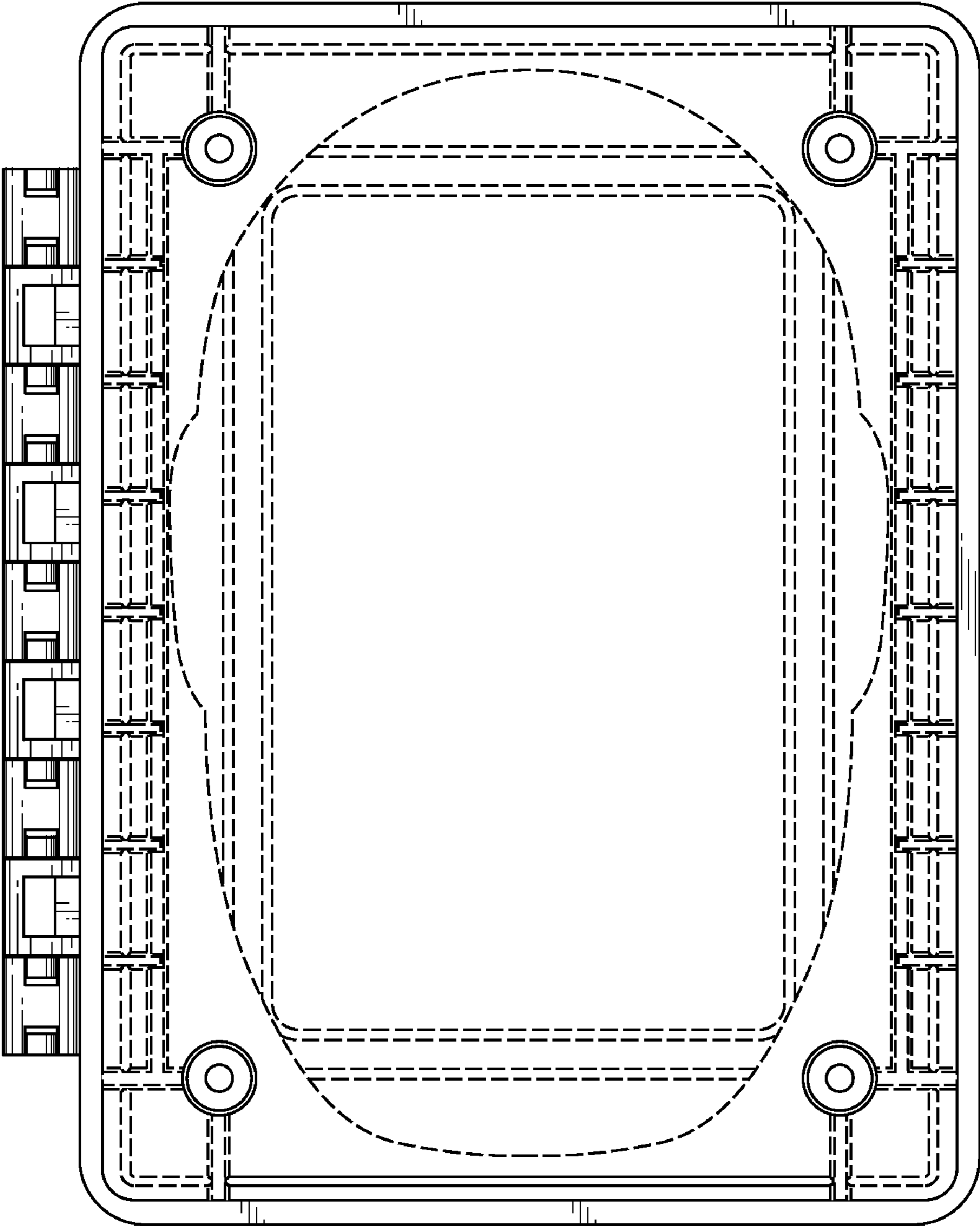


Fig. 6

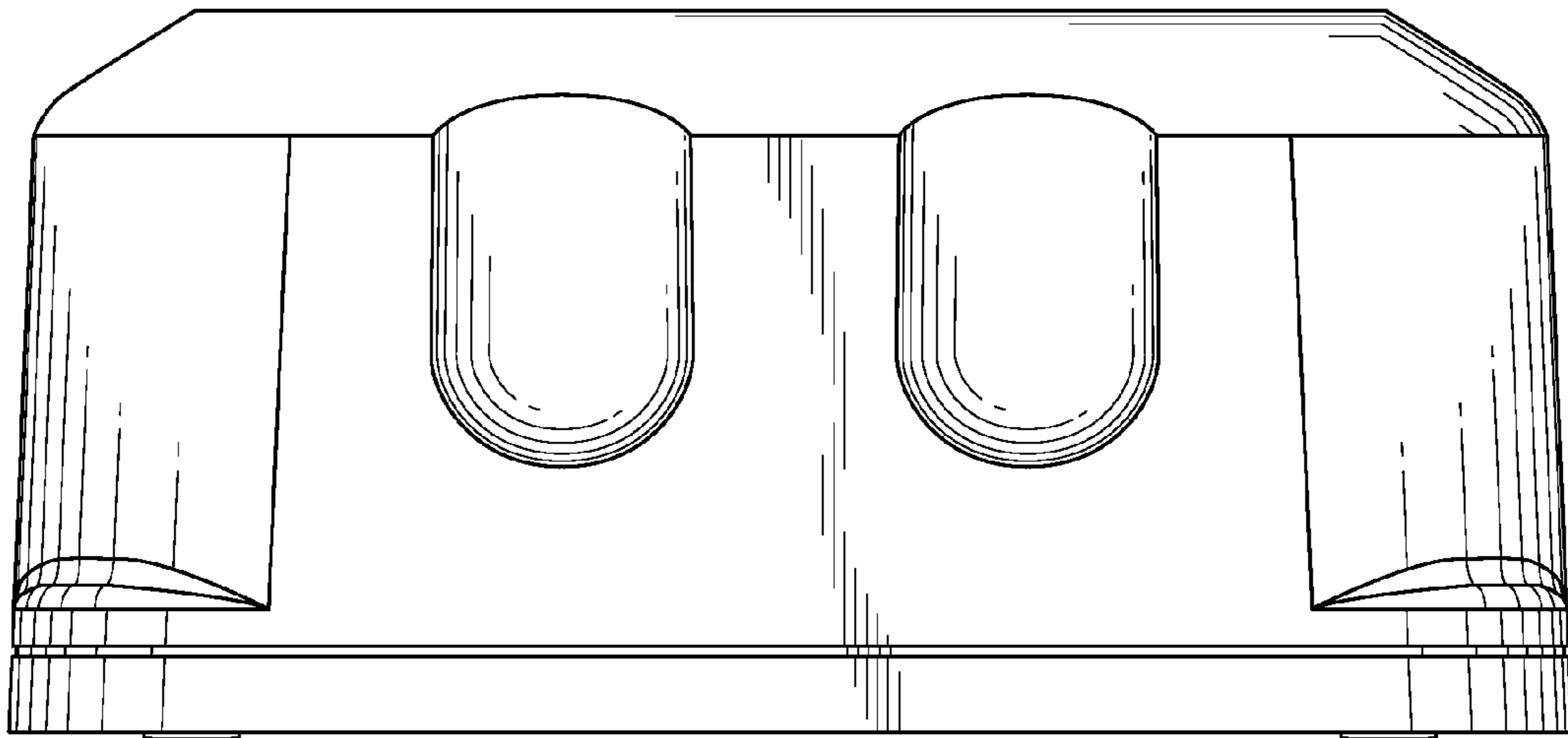


Fig. 7

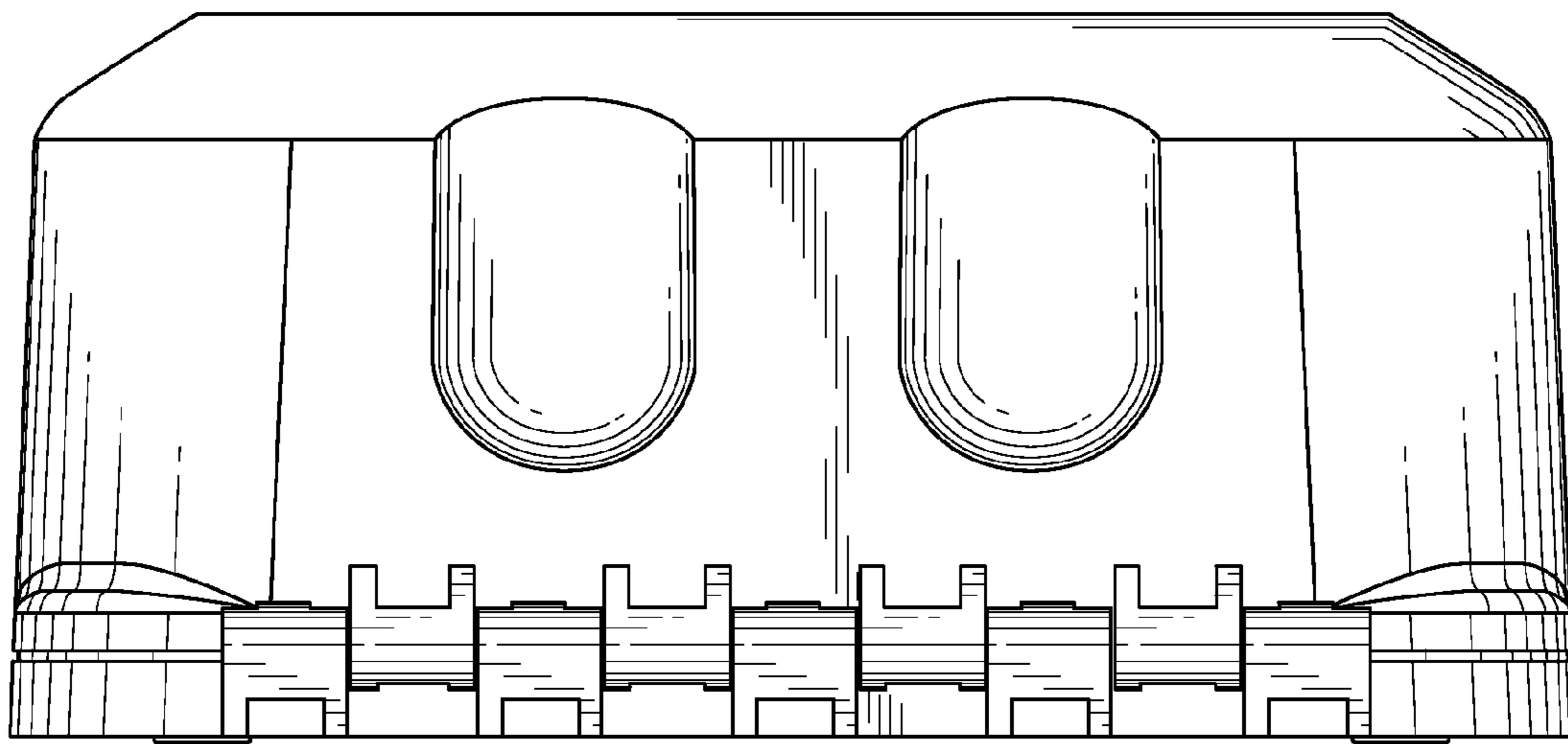


Fig. 8

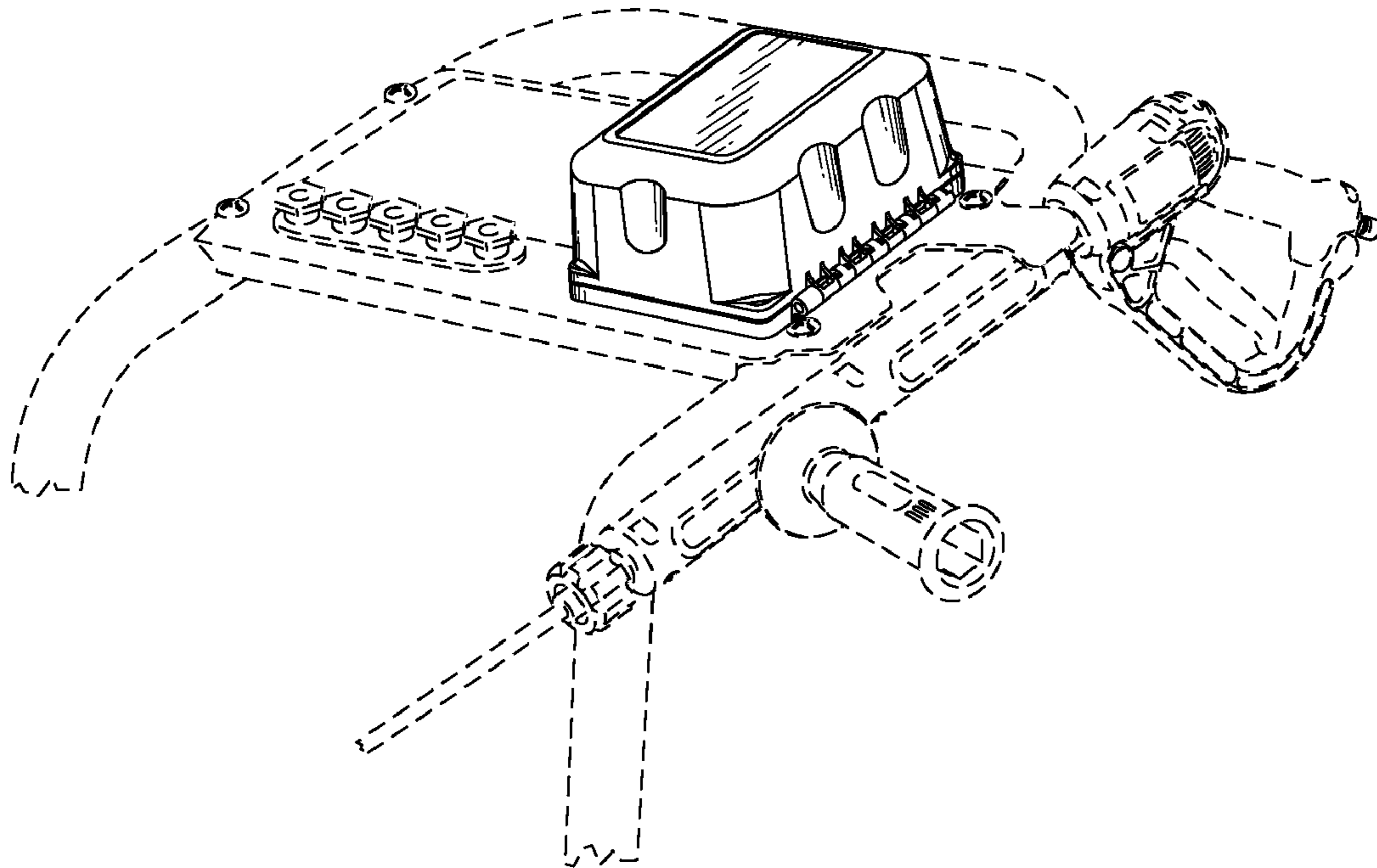


Fig. 9