



US00D606490S

(12) **United States Design Patent**
Sasada et al.

(10) **Patent No.:** **US D606,490 S**

(45) **Date of Patent:** **** Dec. 22, 2009**

(54) **BATTERY CHARGER**

(75) Inventors: **Motohiro Sasada**, Osaka (JP); **Shinji Oda**, Osaka (JP)

(73) Assignee: **Sanyo Electric Co., Ltd.**, Osaka (JP)

(**) Term: **14 Years**

(21) Appl. No.: **29/311,634**

(22) Filed: **May 11, 2009**

(30) **Foreign Application Priority Data**

Nov. 20, 2008 (JP) 2008-029849

(51) **LOC (9) Cl.** **13-02**

(52) **U.S. Cl.** **D13/107; D13/102**

(58) **Field of Classification Search** D13/101–103,
D13/107–110, 118–119, 133, 144, 184; D14/251,
D14/253, 432, 434; 320/101–102, 107–115
See application file for complete search history.

(56) **References Cited**

U.S. PATENT DOCUMENTS

6,396,239	B1 *	5/2002	Benn et al.	320/101
D479,240	S *	9/2003	Bradley	D14/434
D543,500	S *	5/2007	Parness et al.	D13/102
7,492,120	B2 *	2/2009	Benn et al.	320/101
D598,372	S *	8/2009	Sasada	D13/102
D600,201	S *	9/2009	Dallaire	D13/102
2002/0180404	A1 *	12/2002	Benn et al.	320/101
2008/0278110	A1 *	11/2008	Lin et al.	320/101

2009/0183405 A1* 7/2009 Wilkes 40/543

* cited by examiner

Primary Examiner—Rosemary K Tarcza

(74) *Attorney, Agent, or Firm*—Rabin & Berdo, PC

(57) **CLAIM**

The ornamental design for a battery charger, as shown and described.

DESCRIPTION

FIG. 1 is a perspective view of a battery charger showing our new design;

FIG. 2 is a front elevation view thereof; the rear elevation view being identical;

FIG. 3 is a right side view thereof, the left side view being identical;

FIG. 4 is a top plan view thereof;

FIG. 5 is a bottom plan view thereof;

FIG. 6 is a sectional view thereof taken on line 6—6 of FIG. 2 showing no illustration of inside mechanism;

FIG. 7 is a sectional view thereof taken on line 7—7 of FIG. 4 showing no illustration of inside mechanism; and,

FIG. 8 is a referential view showing a usage state, the solar-cells and other parts fitted to the present article are shown in broken lines forming no part of the claimed design.

The broken line showing is for illustrative purposes only and forms no part of the claimed design.

1 Claim, 5 Drawing Sheets

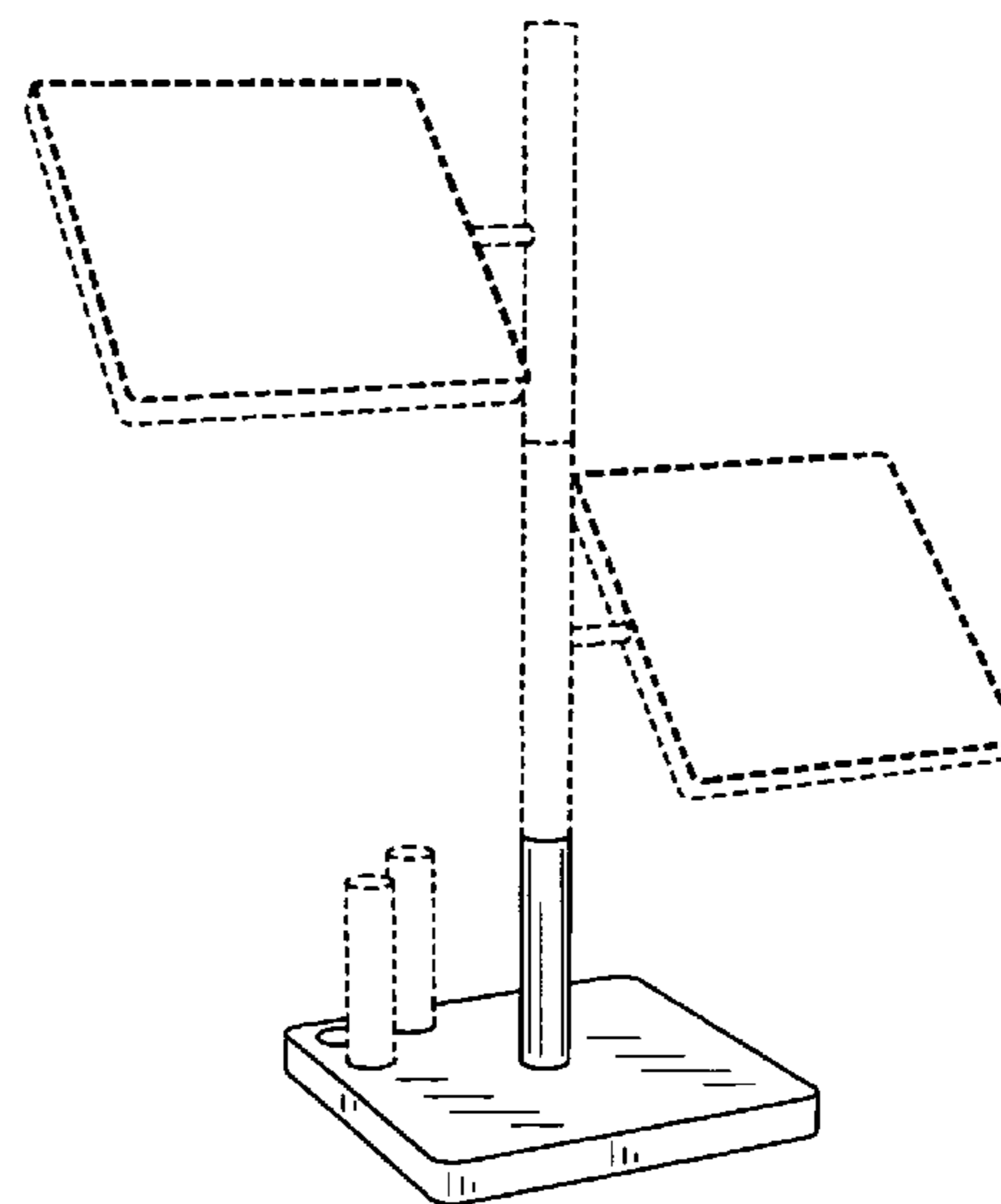
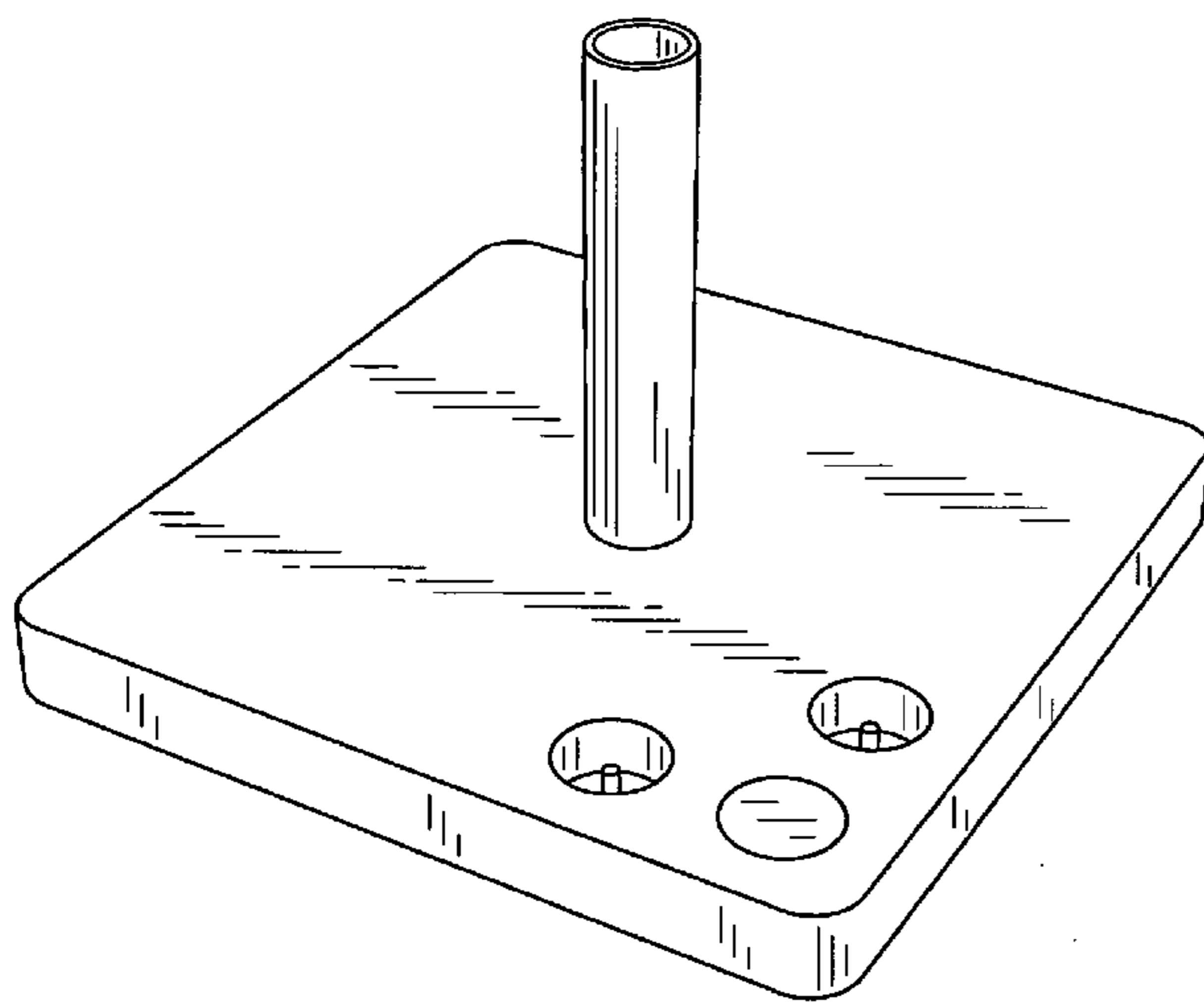


FIG. 1

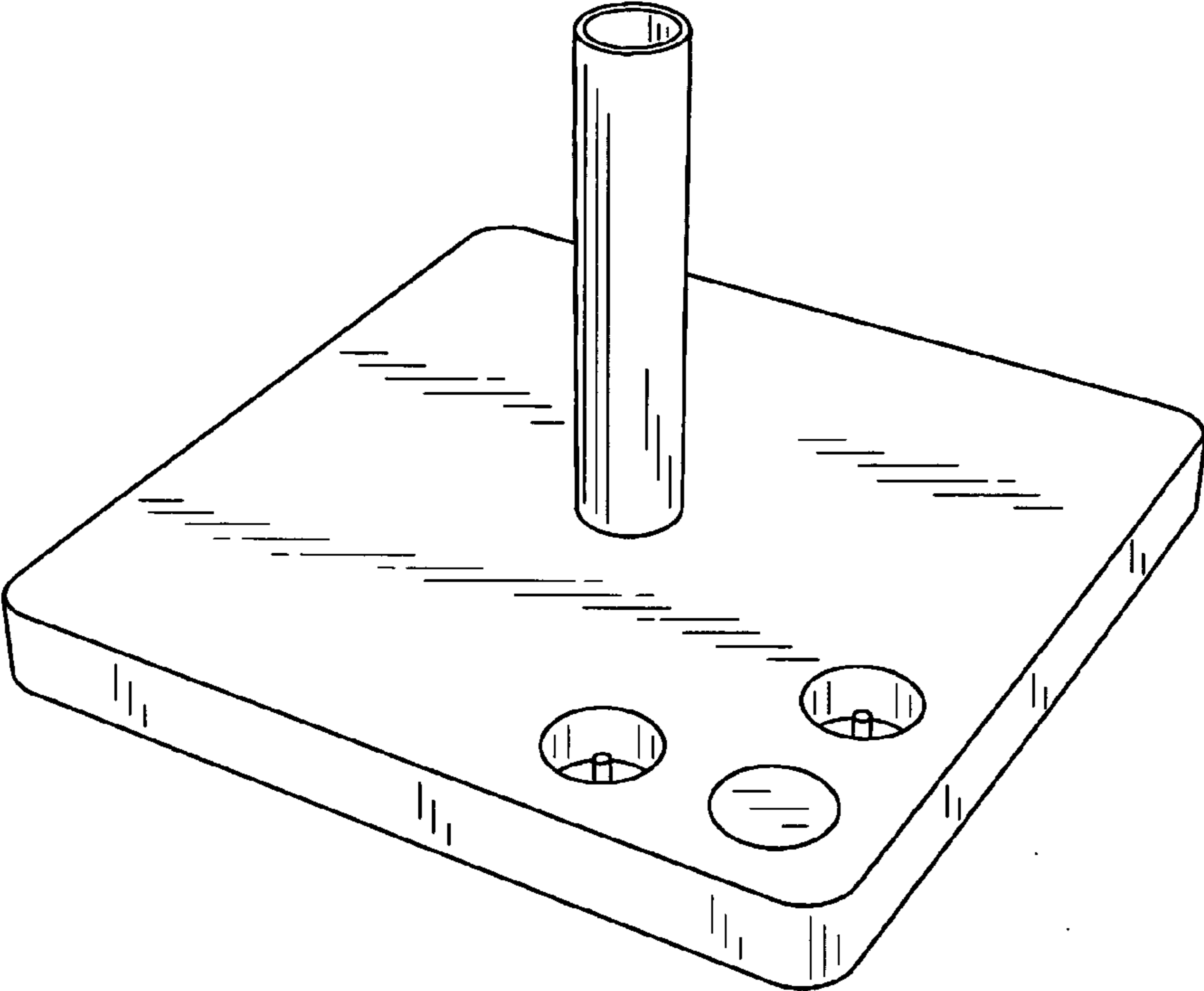


FIG. 2

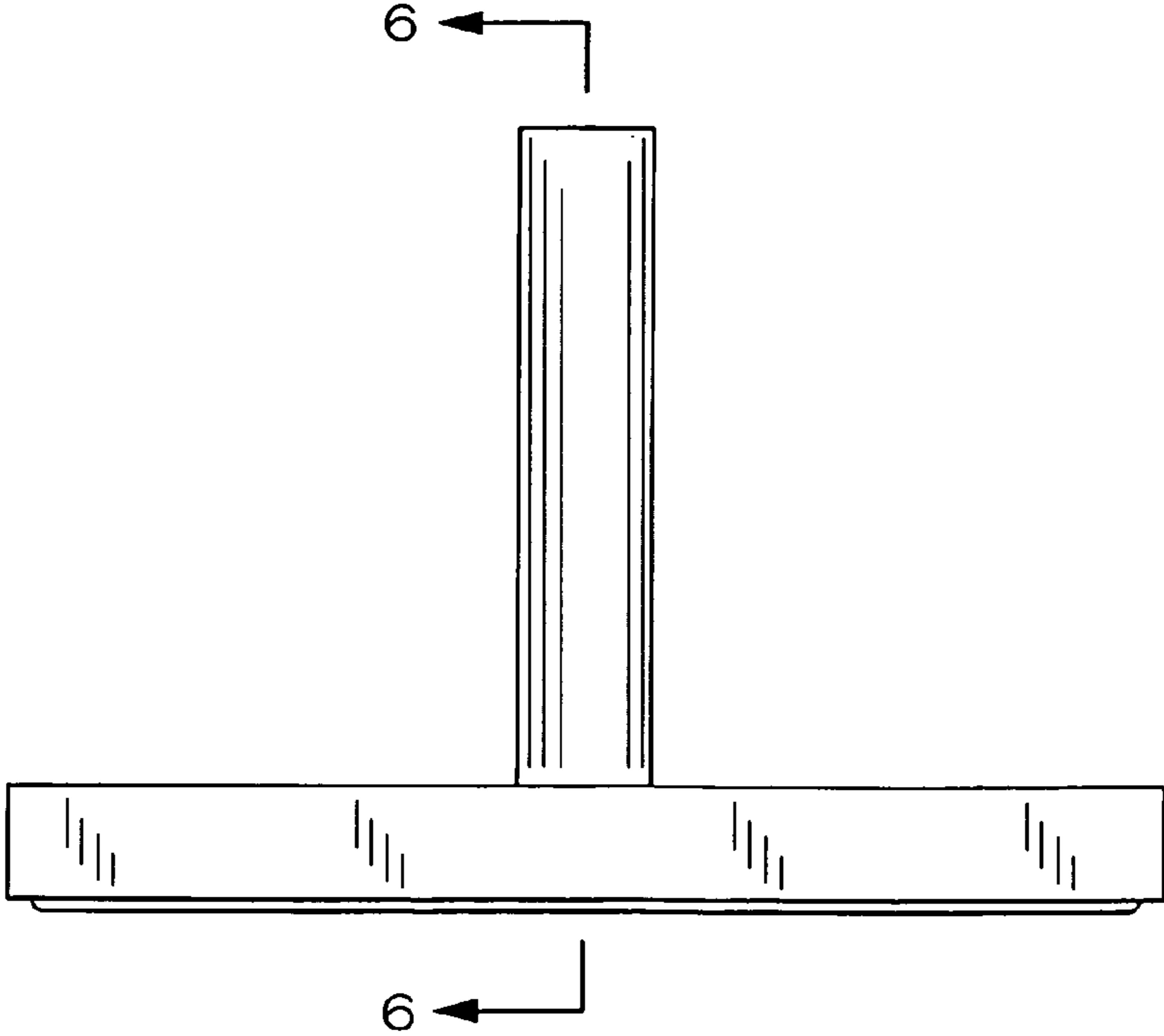


FIG. 3

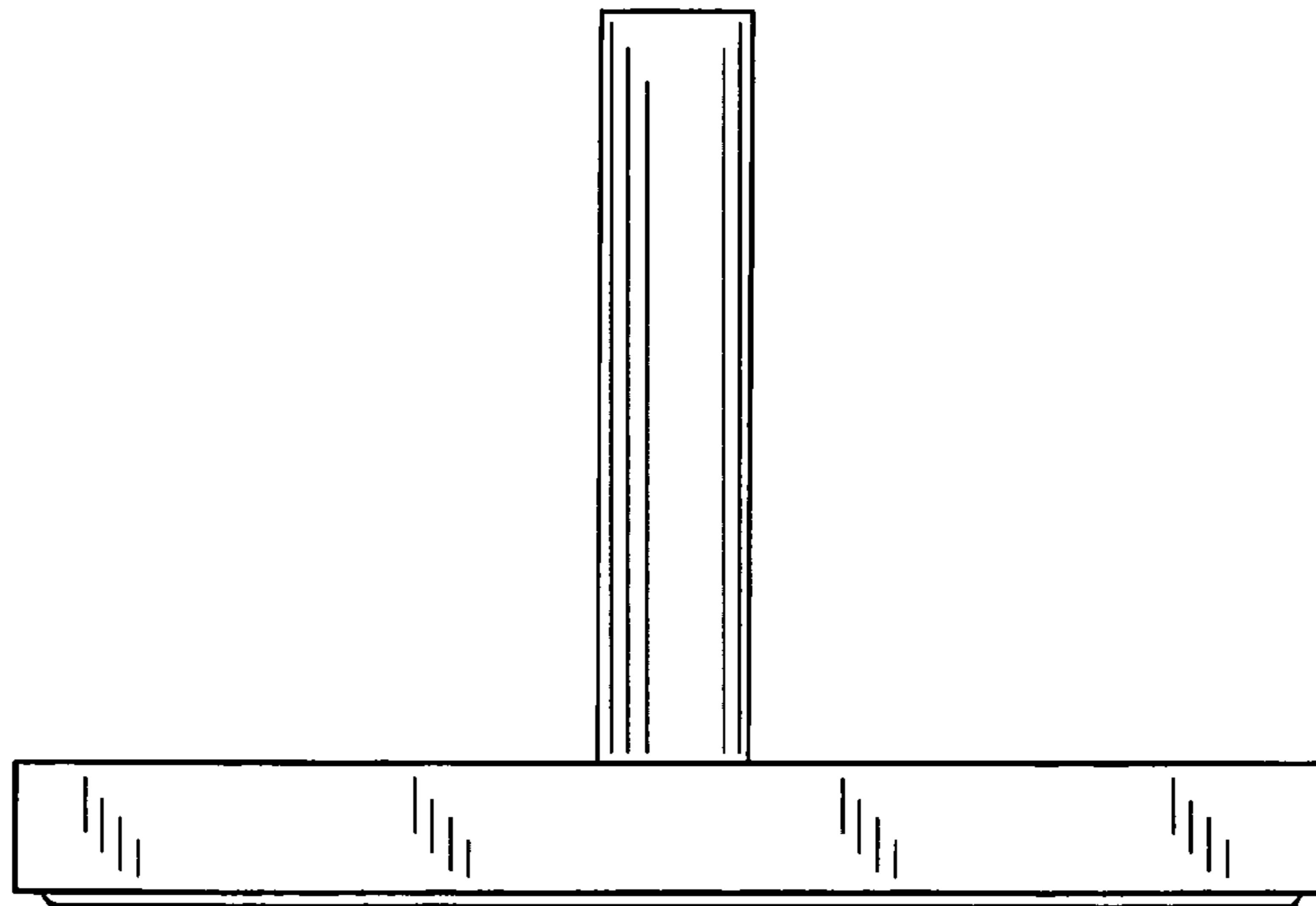


FIG. 4

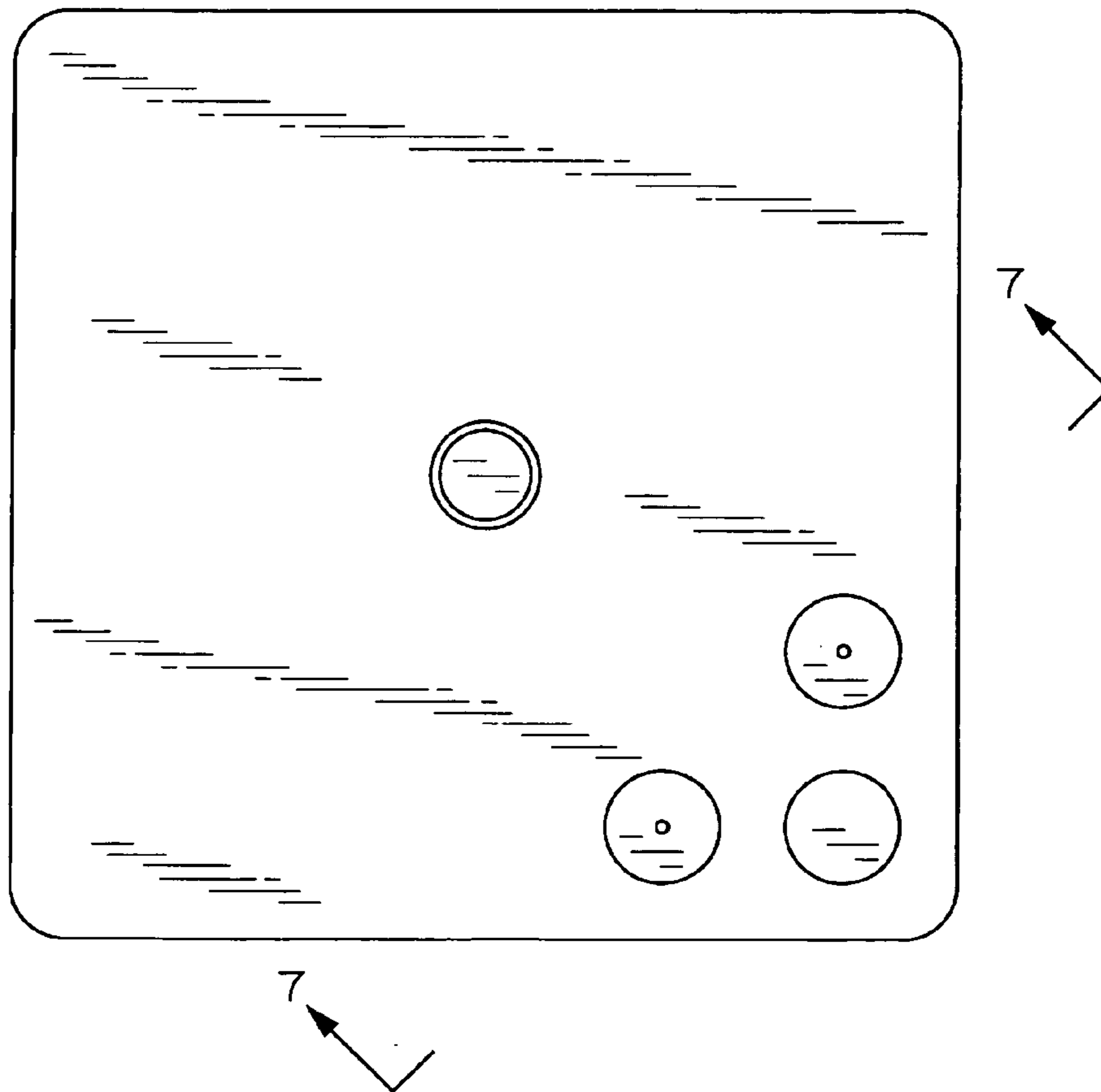
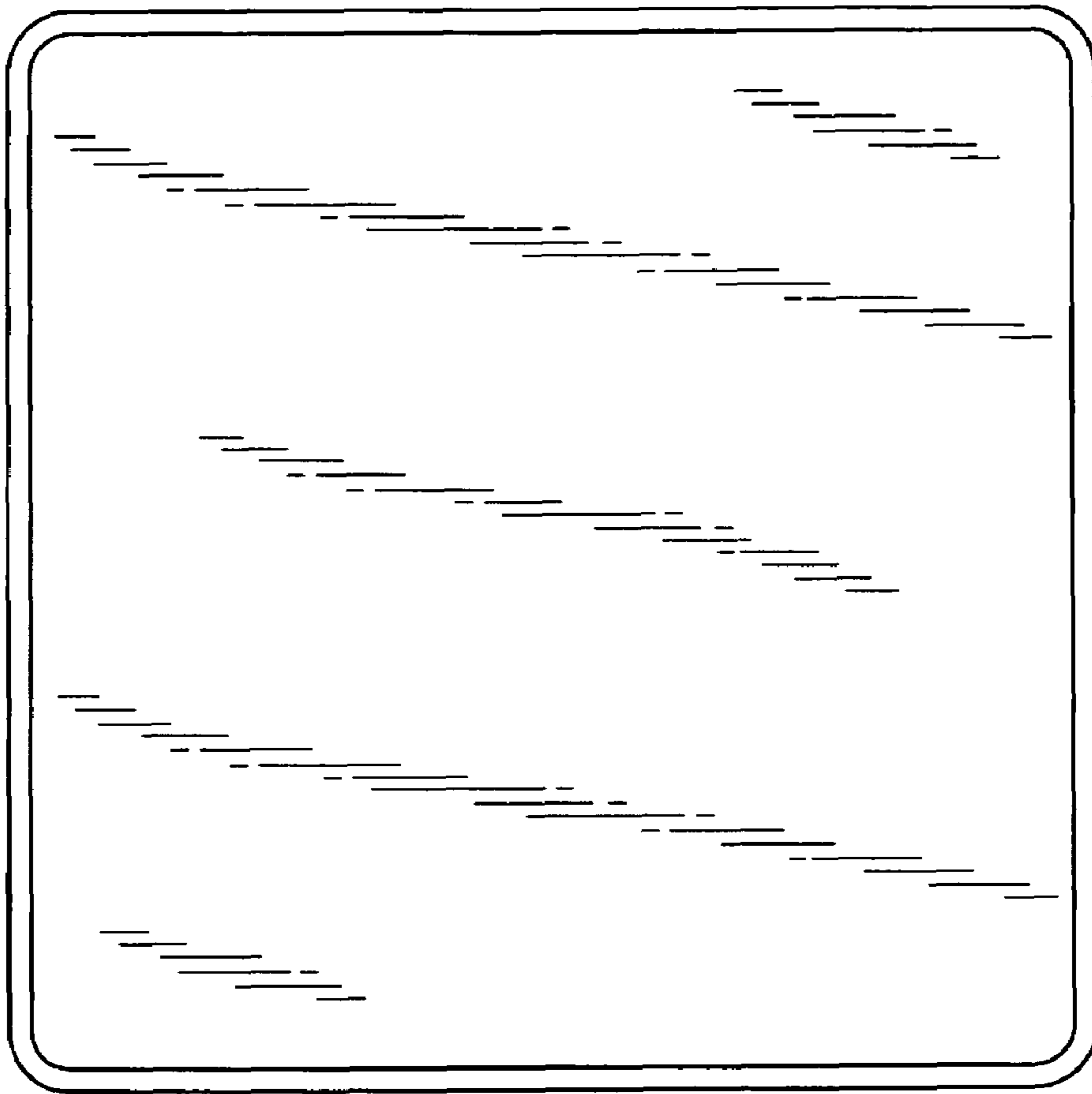


FIG. 5



FI

FIG. 6

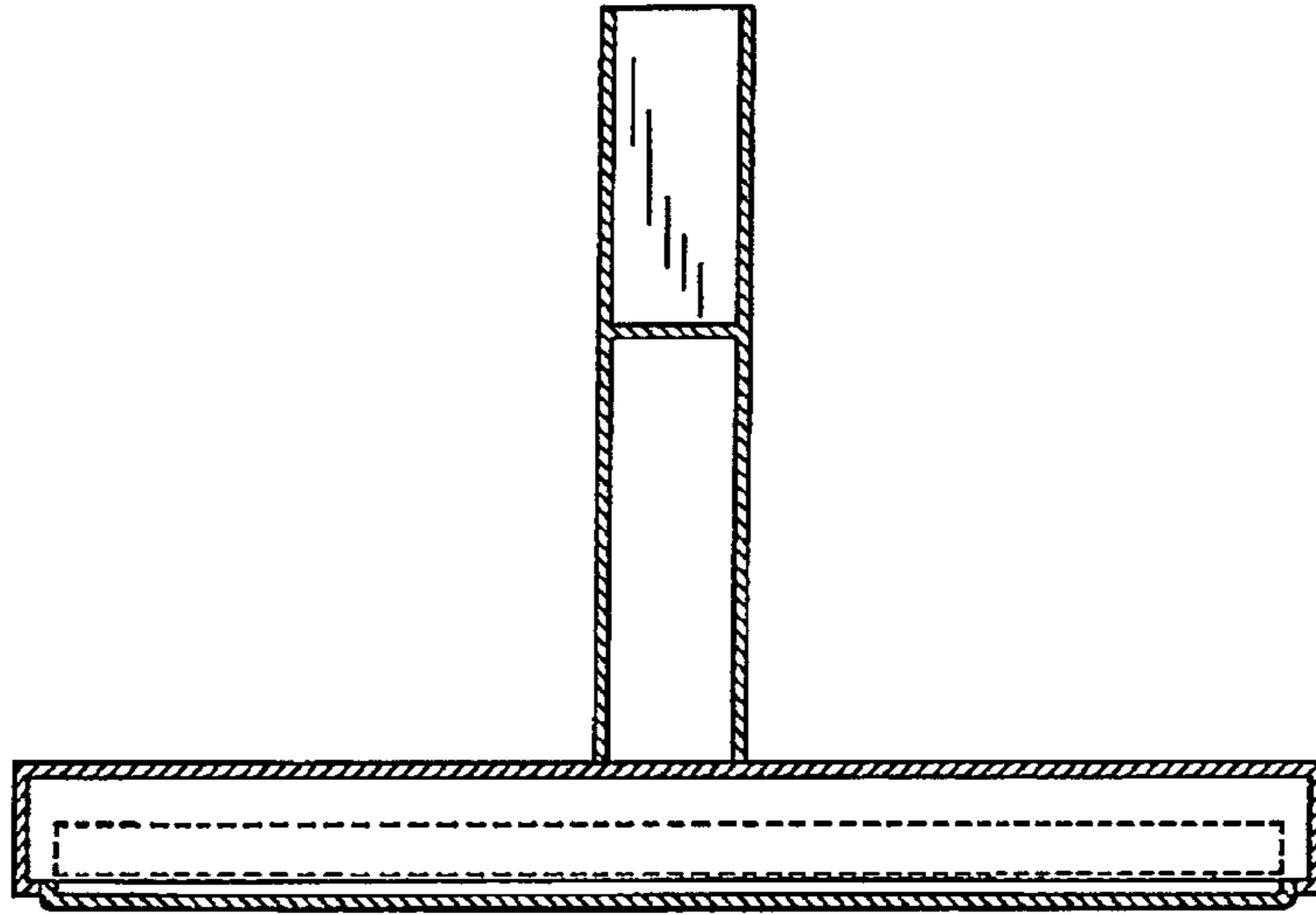


FIG. 7

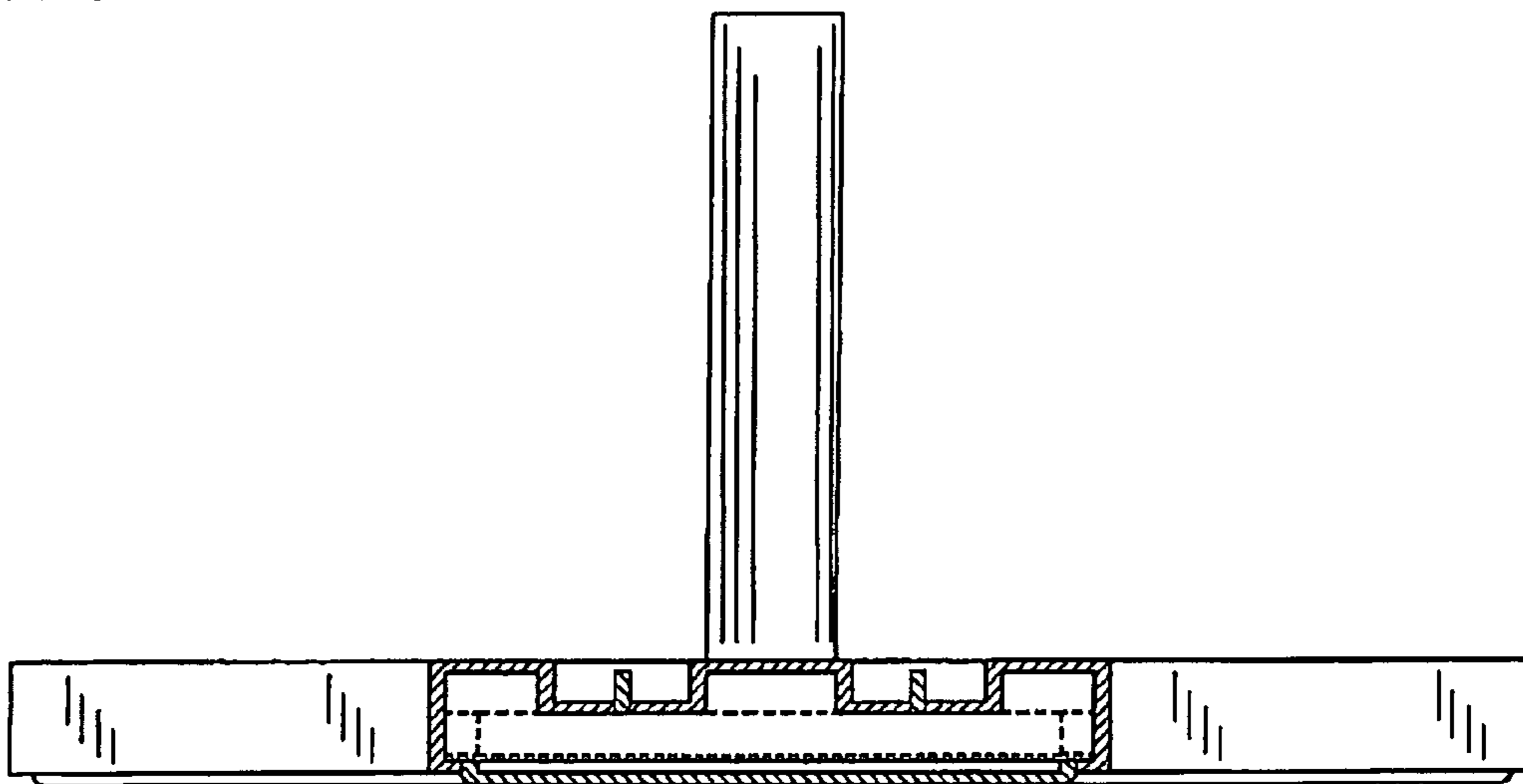


FIG. 8

