



US00D606485S

(12) **United States Design Patent**
Williamson et al.

(10) **Patent No.:** **US D606,485 S**
(45) **Date of Patent:** **** Dec. 22, 2009**

(54) **TIRE TREAD**

D472,204 S 3/2003 Kemp, Jr. et al.
D499,376 S * 12/2004 Nonaka D12/590

(75) Inventors: **Lawrence O. Williamson**, Simpsonville, SC (US); **William R. Hudek**, Greenville, SC (US); **Lee A. Montgomery**, Piedmont, SC (US)

* cited by examiner

Primary Examiner—Caron Veynar
Assistant Examiner—George D Kirschbaum
(74) *Attorney, Agent, or Firm*—Frank J. Campigotto; E. Martin Remick; Carolyn G. Uldrick

(73) Assignee: **Michelin Recherche et Technique SA**, Granges-Paccot (CH)

(**) Term: **14 Years**

(57) **CLAIM**

(21) Appl. No.: **29/304,159**

The ornamental design for a tire tread, as shown and described.

(22) Filed: **Feb. 26, 2008**

DESCRIPTION

(51) **LOC (9) Cl.** **12-15**

(52) **U.S. Cl.** **D12/588**

(58) **Field of Classification Search** D12/568–603;
152/209.1, 209.8, 209.9, 209.12, 209.18,
152/209.25

FIG. 1 is a perspective view of a tire tread showing my new design, it being understood that the tread pattern repeats circumferentially throughout the outer circumference and shoulder of a tire, the opposite side perspective view being identical thereto;

See application file for complete search history.

FIG. 2 is a full front elevation view of the tire tread of FIG. 1;

(56) **References Cited**

U.S. PATENT DOCUMENTS

D294,812 S	3/1988	Takeuchi	
D304,558 S	* 11/1989	Fukumoto D12/588
D380,995 S	7/1997	Grosskopf	
D390,510 S	2/1998	Stone et al.	
D414,725 S	10/1999	Kemp	
D451,860 S	* 12/2001	Schuster et al. D12/600
D460,407 S	7/2002	Moore	
D461,446 S	8/2002	Janjareh et al.	
D461,750 S	8/2002	Janajreh	

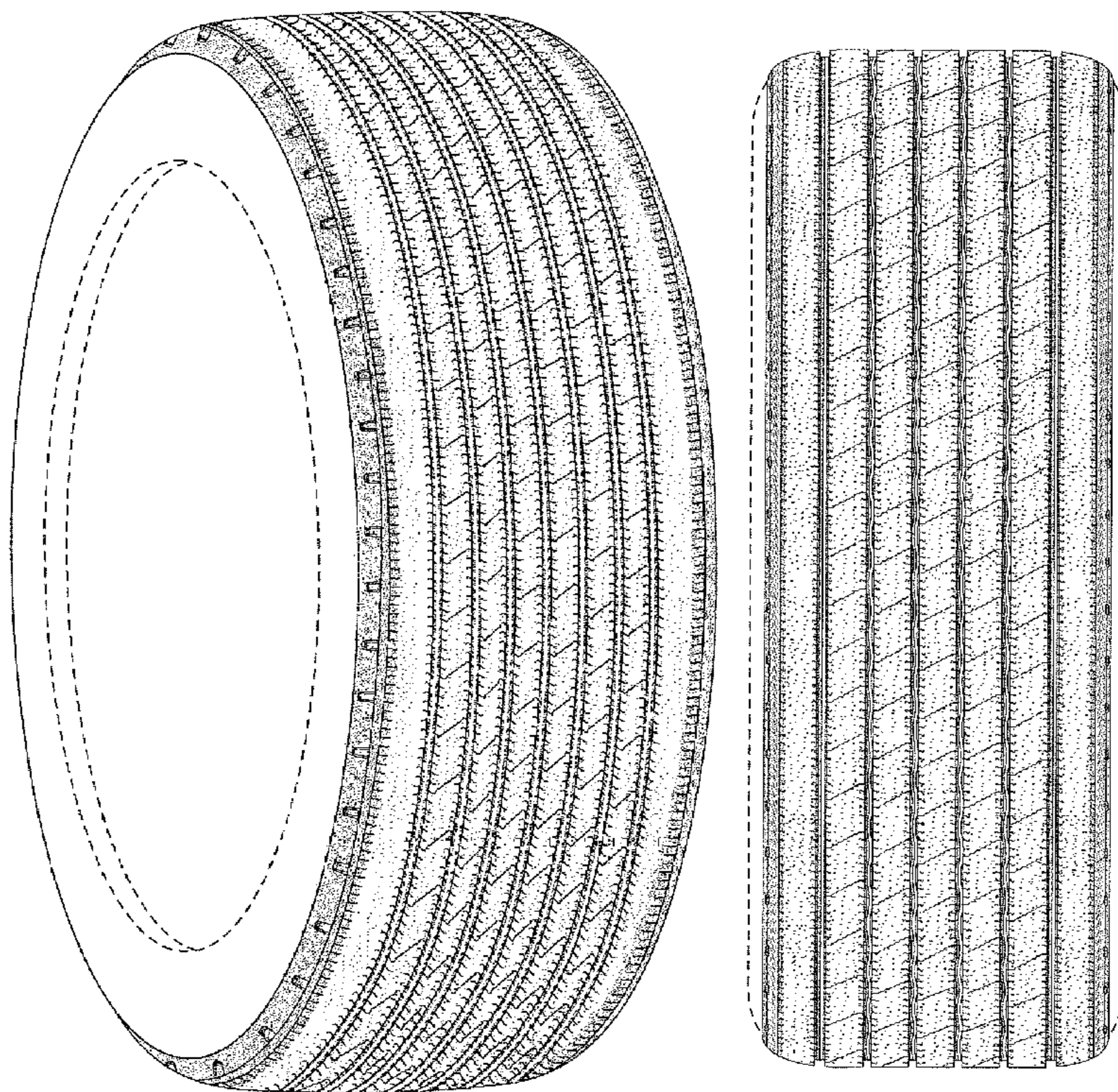
FIG. 3 is a side view of the tire tread of FIG. 1;

FIG. 4 is second embodiment of FIG. 1, the only difference being one less circumferential rib; and,

FIG. 5 is a full front elevation view of the tire tread of FIG. 4.

In the drawings, the broken lines defining the sidewall, inner bead and the peripheral boundary between the claimed tire tread and the unclaimed sidewall depict environmental subject matter that forms no part of the claimed design.

1 Claim, 5 Drawing Sheets



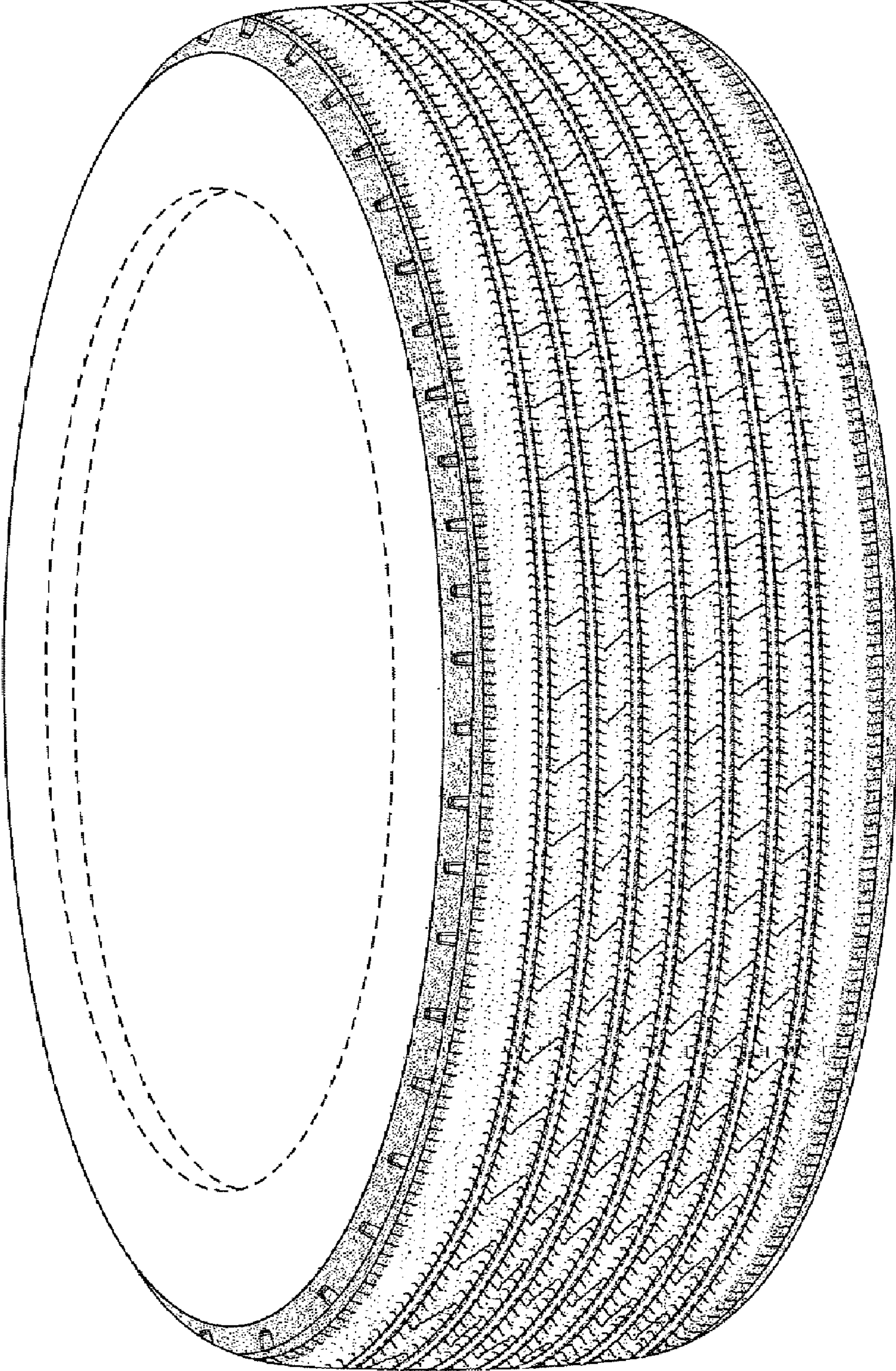


FIG. 1

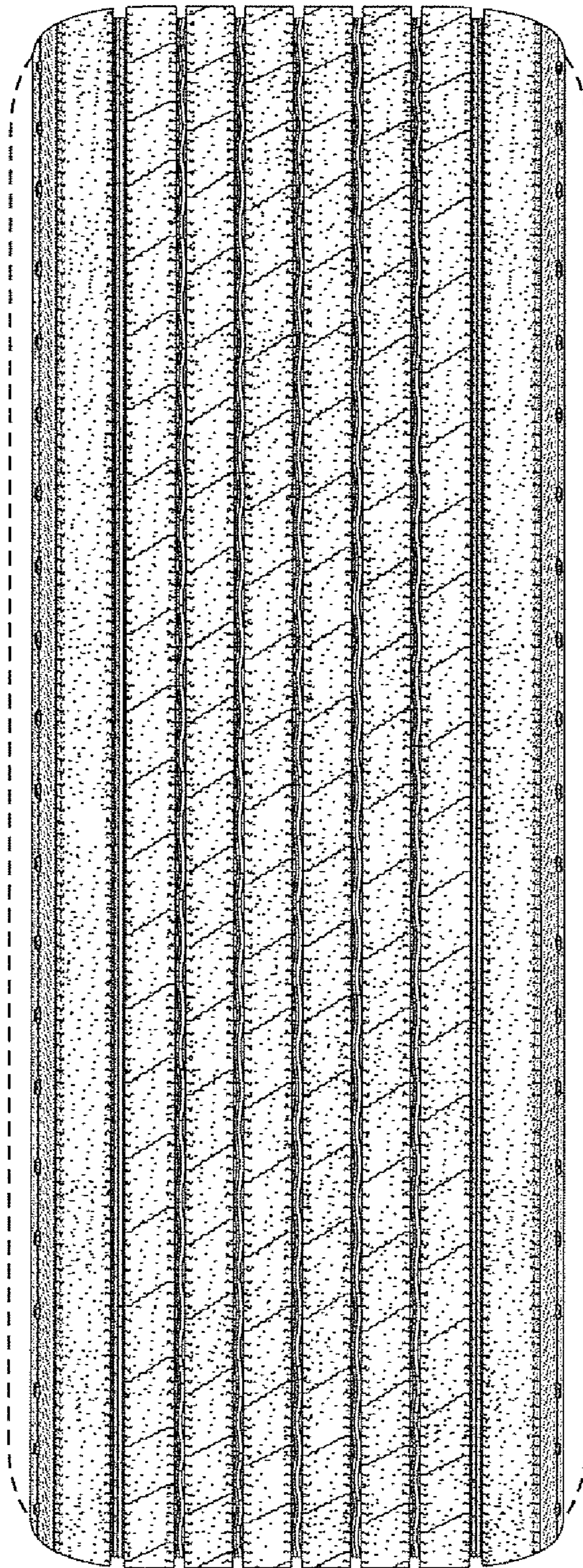


FIG. 2

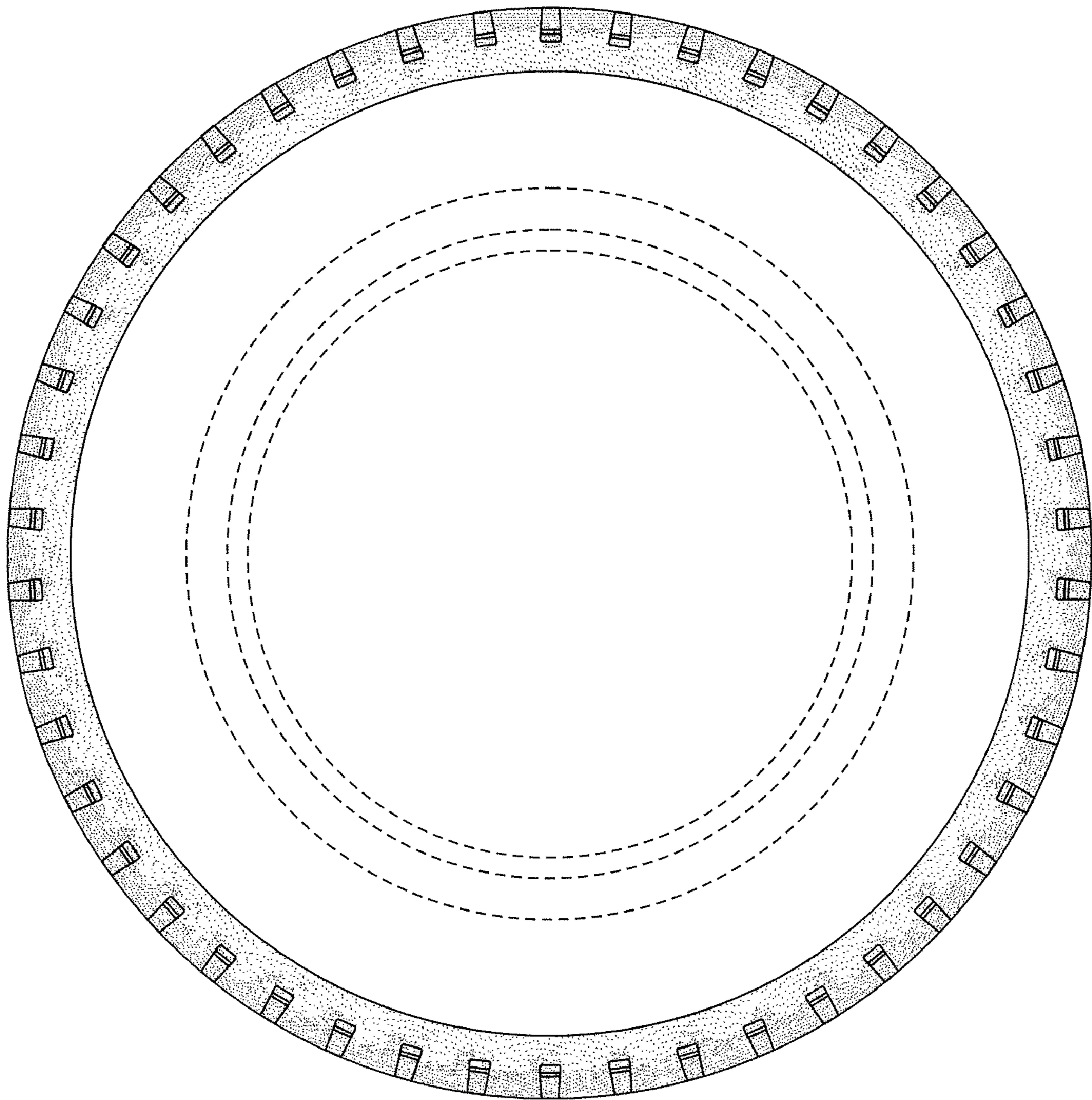


FIG. 3

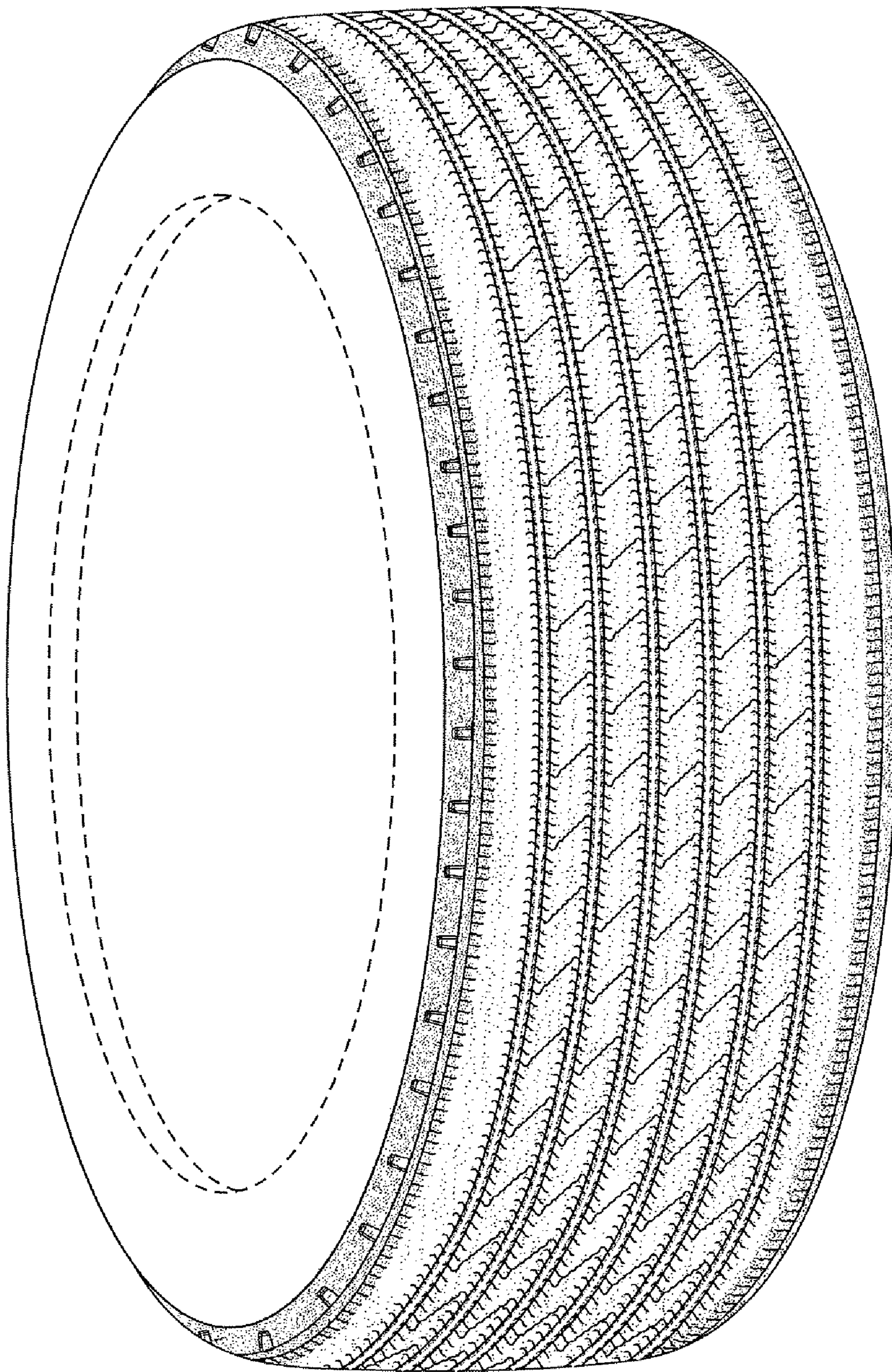


FIG. 4

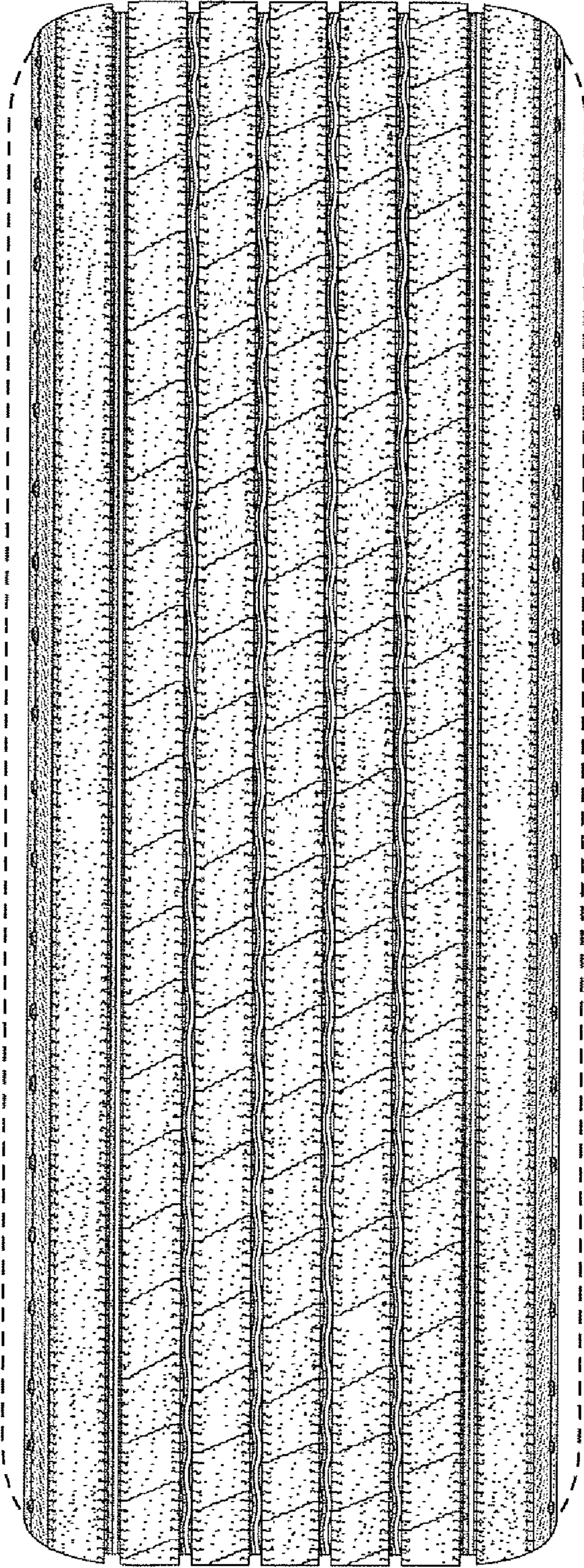


FIG. 5