



US00D606480S

(12) **United States Design Patent**
Kim

(10) **Patent No.:** **US D606,480 S**

(45) **Date of Patent:** **** Dec. 22, 2009**

(54) **WIPER FOR AUTOMOBILES**

(75) Inventor: **In-Kyu Kim**, Kyunggi-do (KR)

(73) Assignee: **ADM21 Co., Ltd.**, Gyeonggi-do (KR)

(**) Term: **14 Years**

(21) Appl. No.: **29/327,167**

(22) Filed: **Oct. 31, 2008**

(51) **LOC (9) Cl.** **12-16**

(52) **U.S. Cl.** **D12/219**

(58) **Field of Classification Search** D12/219-220;
15/250.001, 250.4, 250.361, 250.19, 250.48,
15/250.03, 250.31-250.33, 250.351, 250.38,
15/250.201, 250.451, 250.458, 250.04, 250.07,
15/250.44

See application file for complete search history.

(56) **References Cited**

U.S. PATENT DOCUMENTS

3,084,372	A	*	4/1963	Kroh	15/250.48
D443,854	S	*	6/2001	De Block	D12/219
D524,223	S	*	7/2006	Nakano et al.	D12/219
D552,025	S	*	10/2007	Kim	D12/219
D556,115	S	*	11/2007	Kim	D12/219
D562,216	S	*	2/2008	Park	D12/219
D565,493	S	*	4/2008	Kim	D12/219
D587,186	S	*	2/2009	Herinckx et al.	D12/220

* cited by examiner

Primary Examiner—Caron Veynar
Assistant Examiner—Katrina A Kile

(74) *Attorney, Agent, or Firm*—Woodcock Washburn LLP

(57) **CLAIM**

The ornamental design for a wiper for automobiles, as shown and described.

DESCRIPTION

FIG. 1 is a perspective view of the wiper for automobiles.

FIG. 2 is a front elevational view thereof.

FIG. 3 is a rear elevational view thereof.

FIG. 4 is a left side elevational view thereof.

FIG. 5 is a right side elevational view thereof.

FIG. 6 is a top plan view thereof.

FIG. 7 is a bottom plan view thereof.

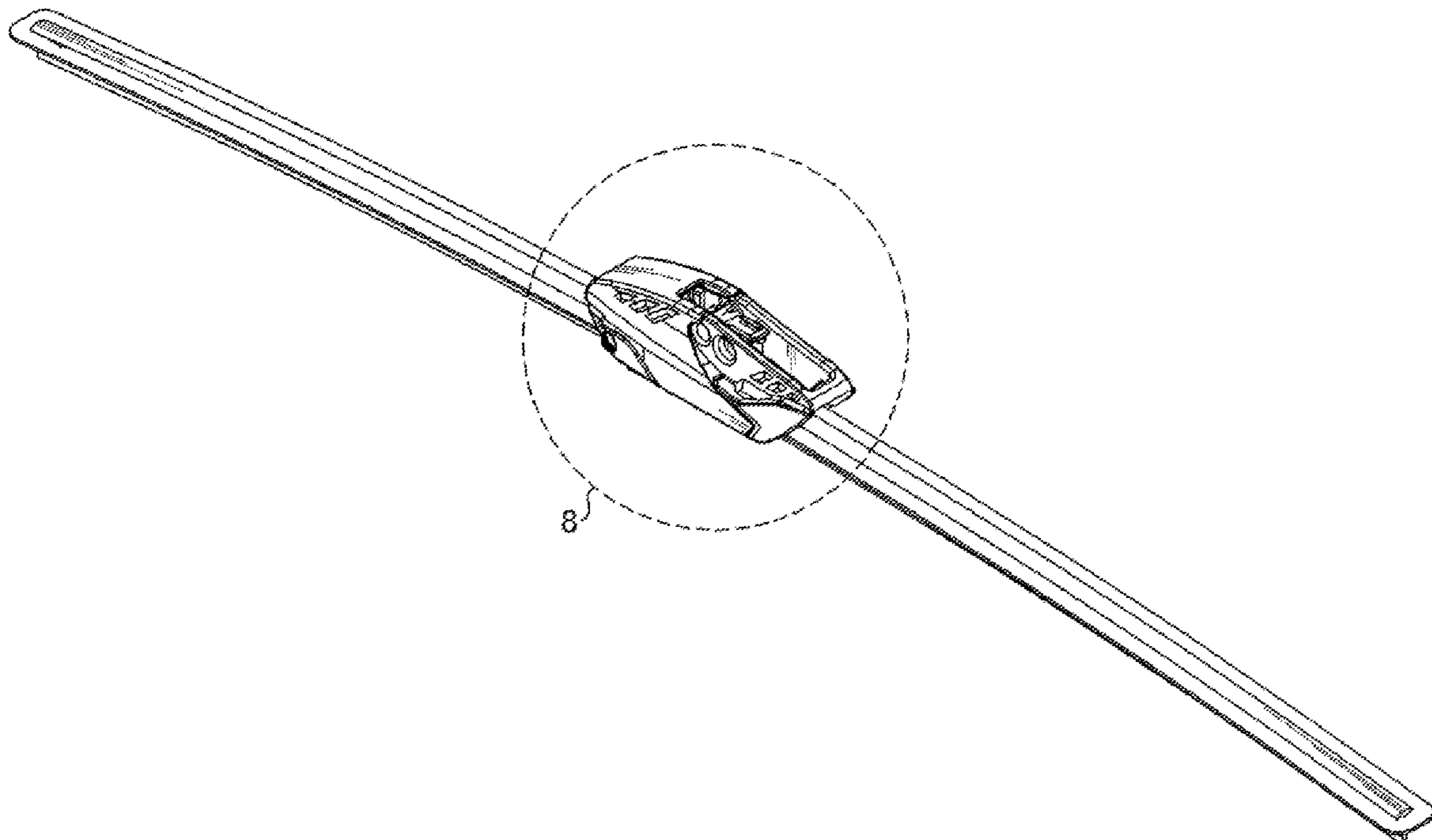
FIG. 8 is an enlarged fragmentary view of the encircled portion labeled as "8" in FIG. 1.

FIG. 9 is an enlarged fragmentary view of the encircled portion labeled as "9" in FIG. 2.

FIG. 10 is an enlarged fragmentary view of the encircled portion labeled as "10" in FIG. 6; and,

FIG. 11 is an enlarged fragmentary view of the encircled portion labeled as "11" in FIG. 7.

1 Claim, 11 Drawing Sheets



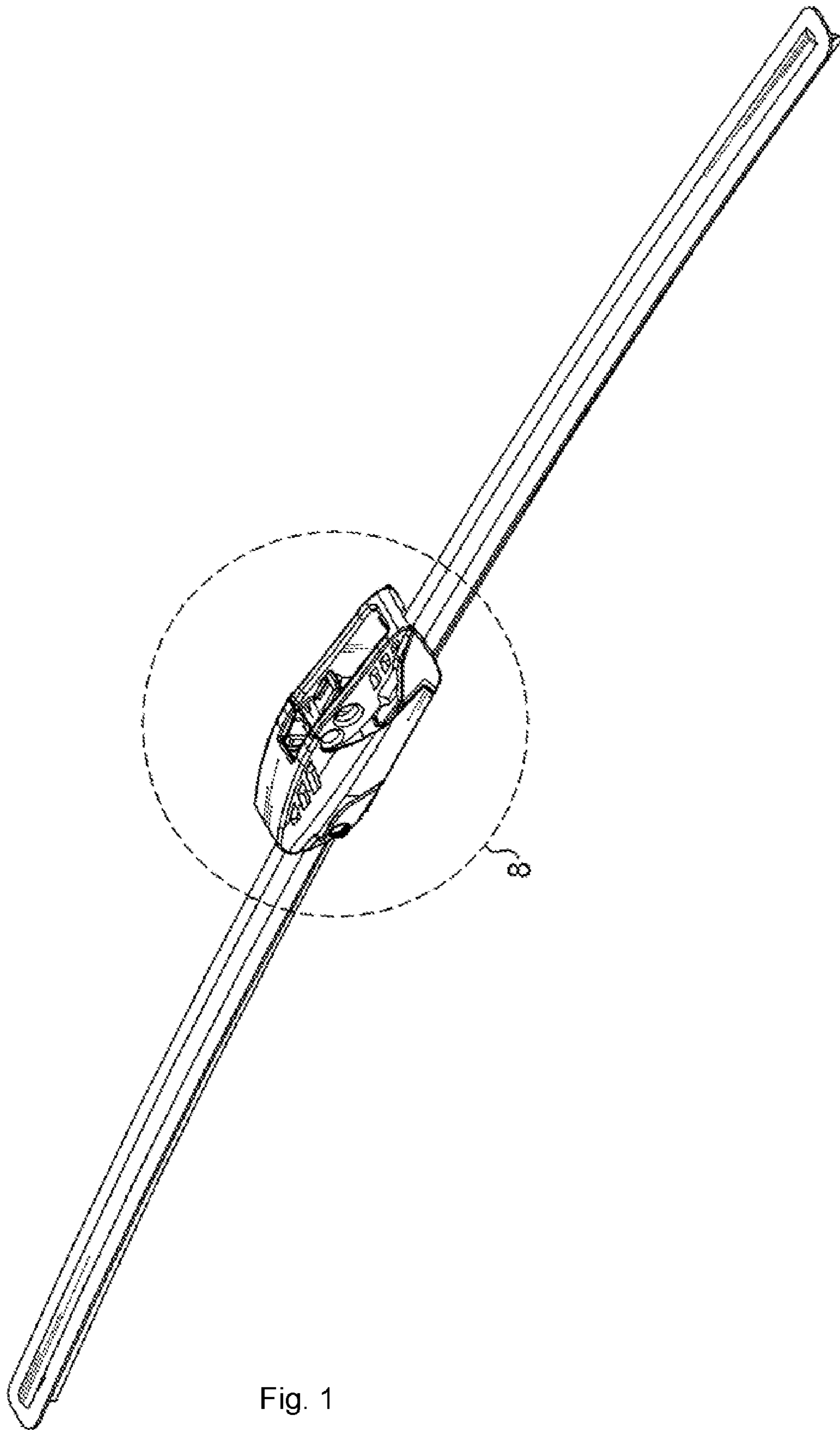


Fig. 1

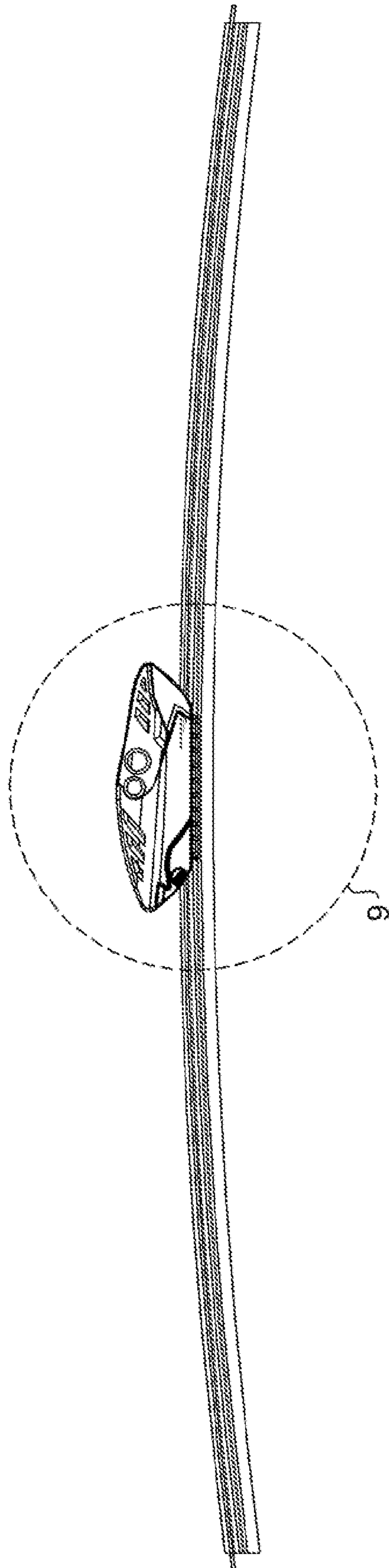


Fig. 2

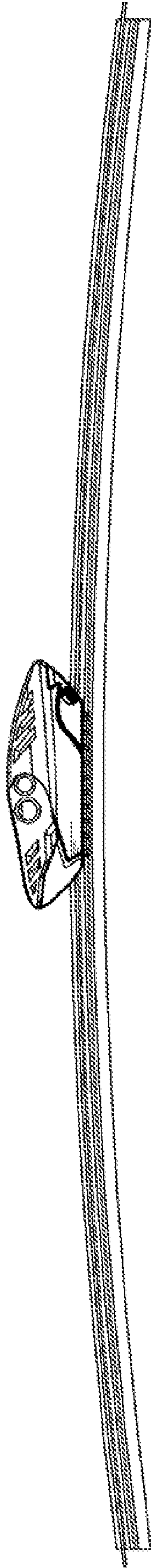


Fig. 3

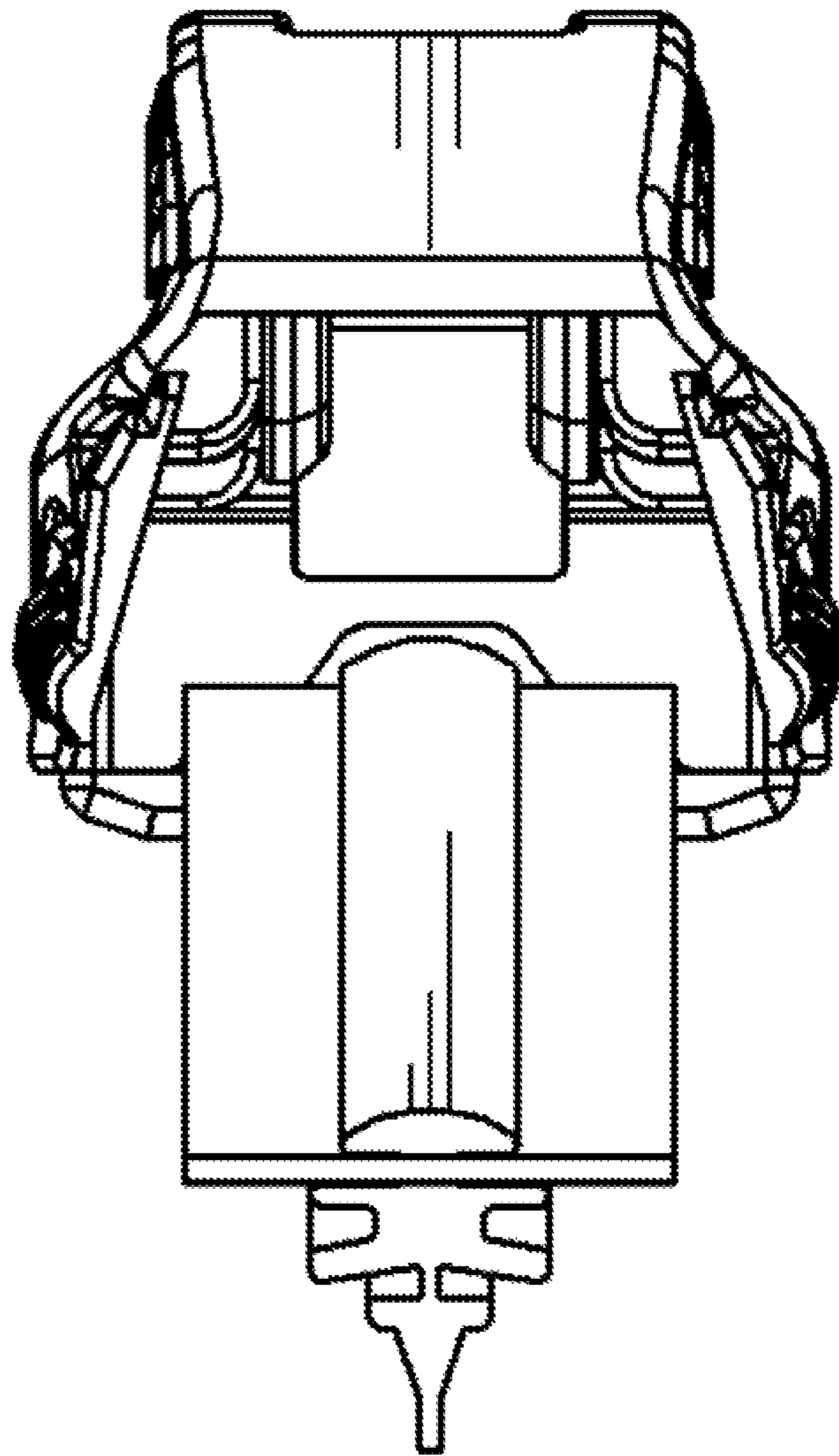


Fig. 4

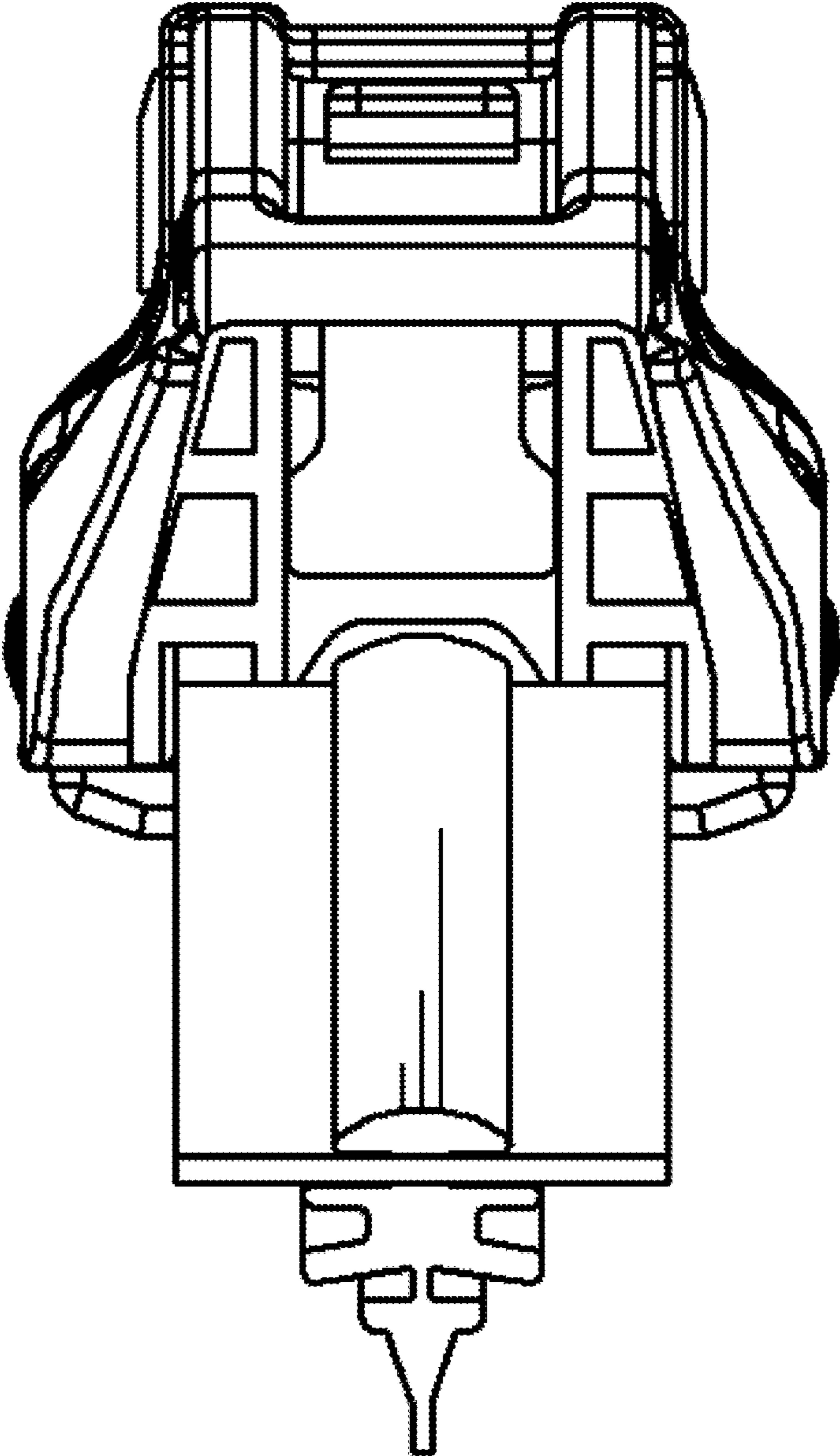


Fig. 5

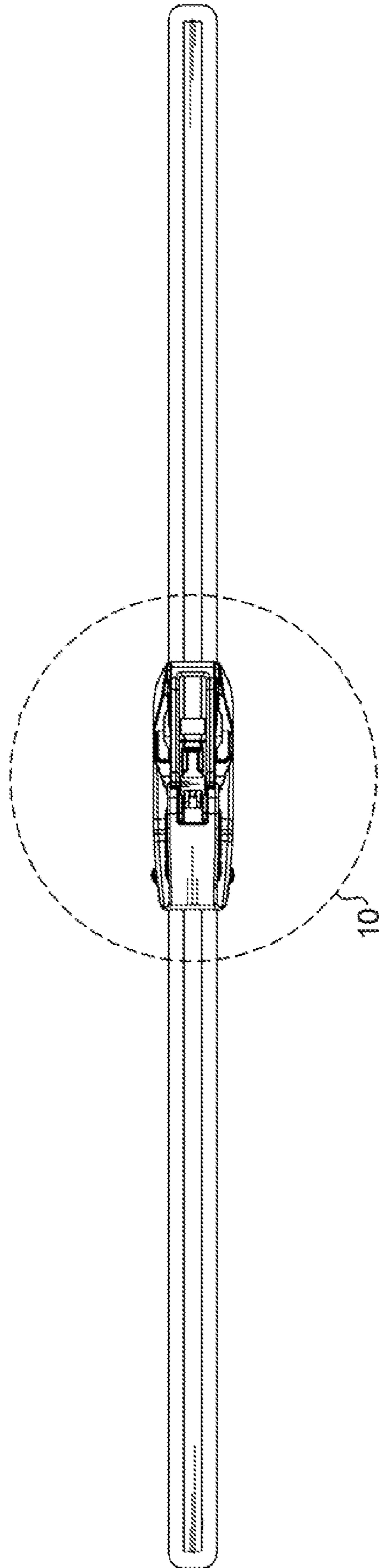


Fig. 6

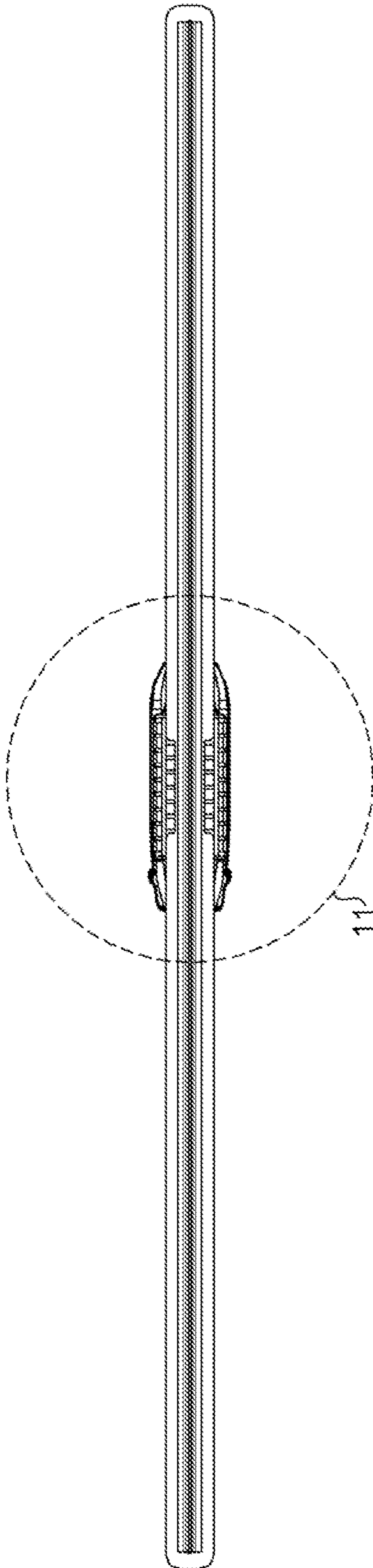


Fig. 7

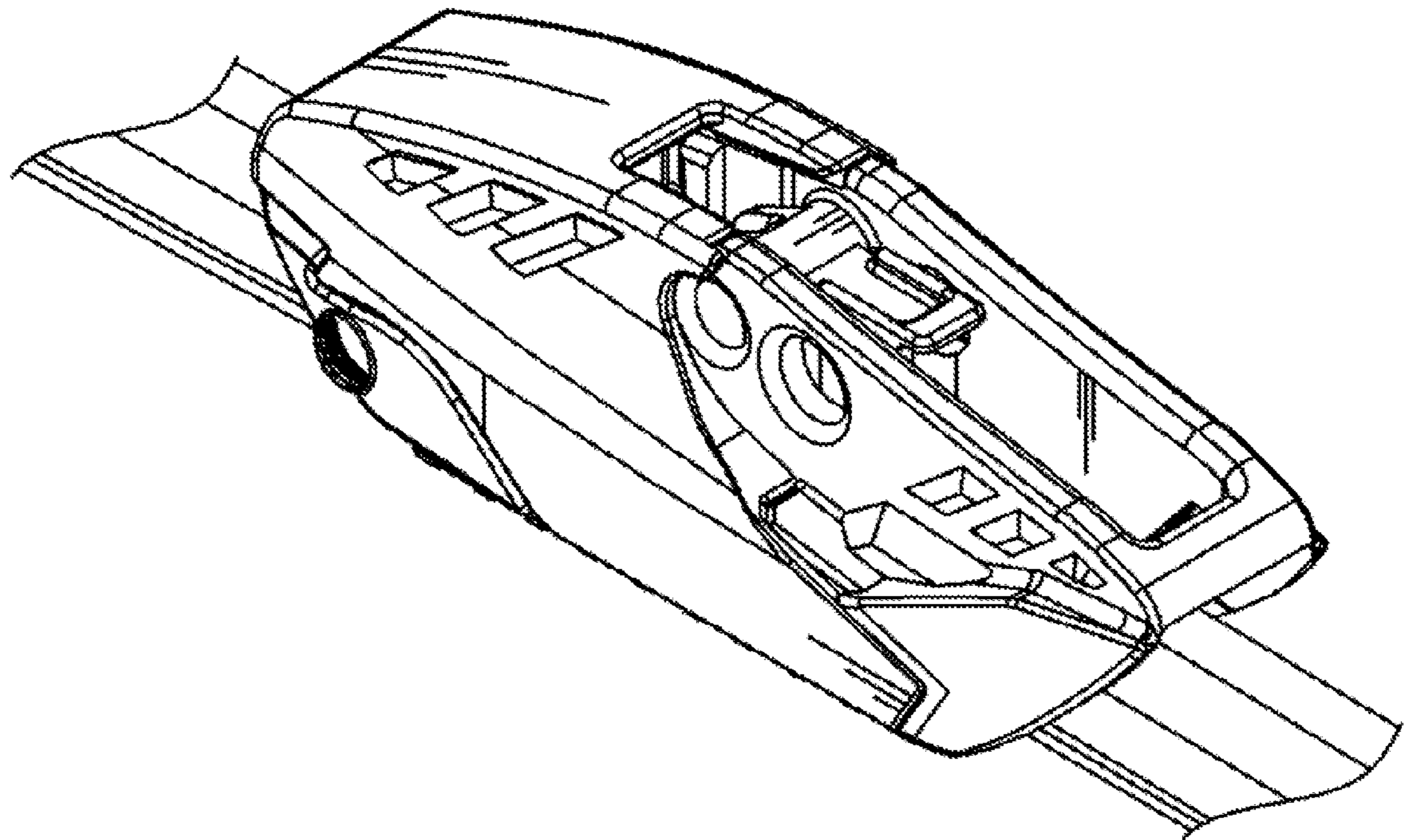


Fig. 8

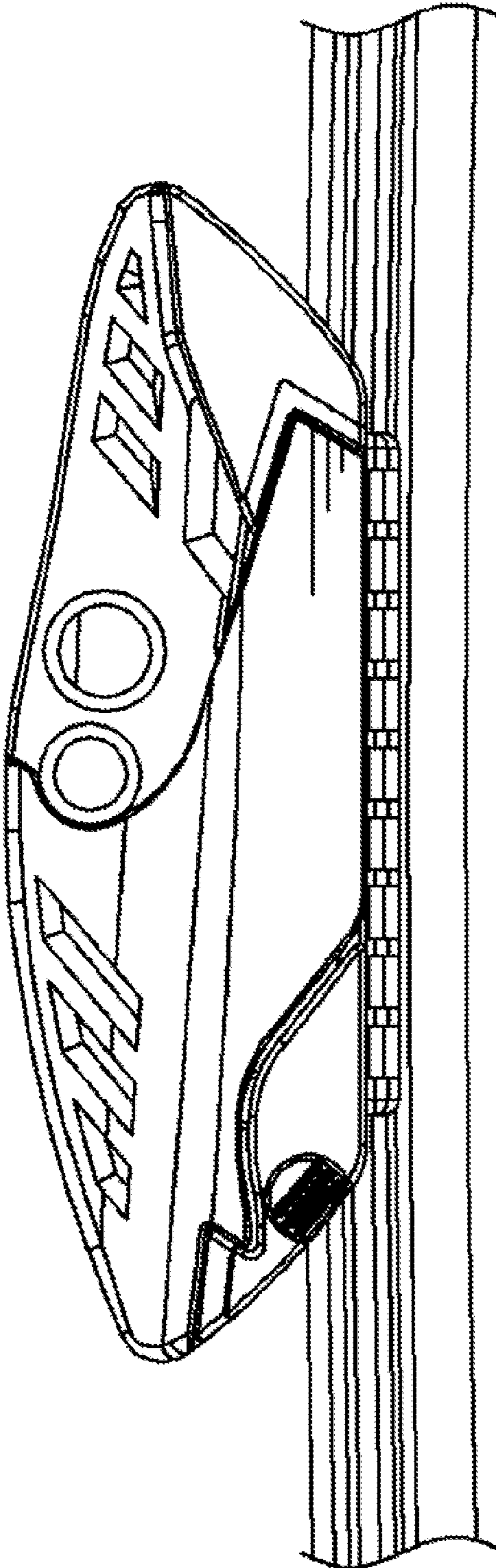


Fig. 9

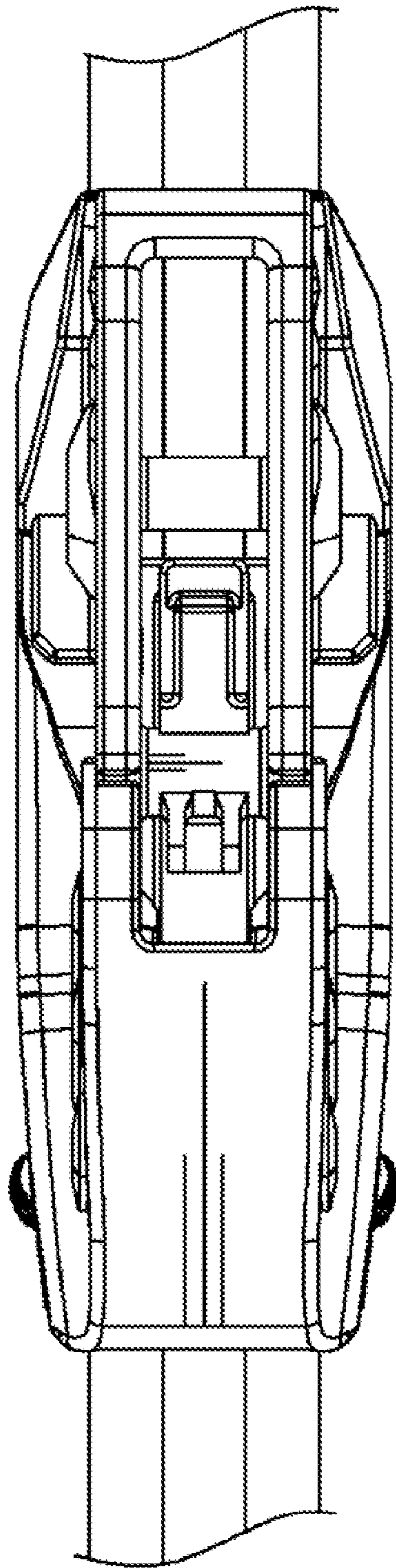


Fig. 10

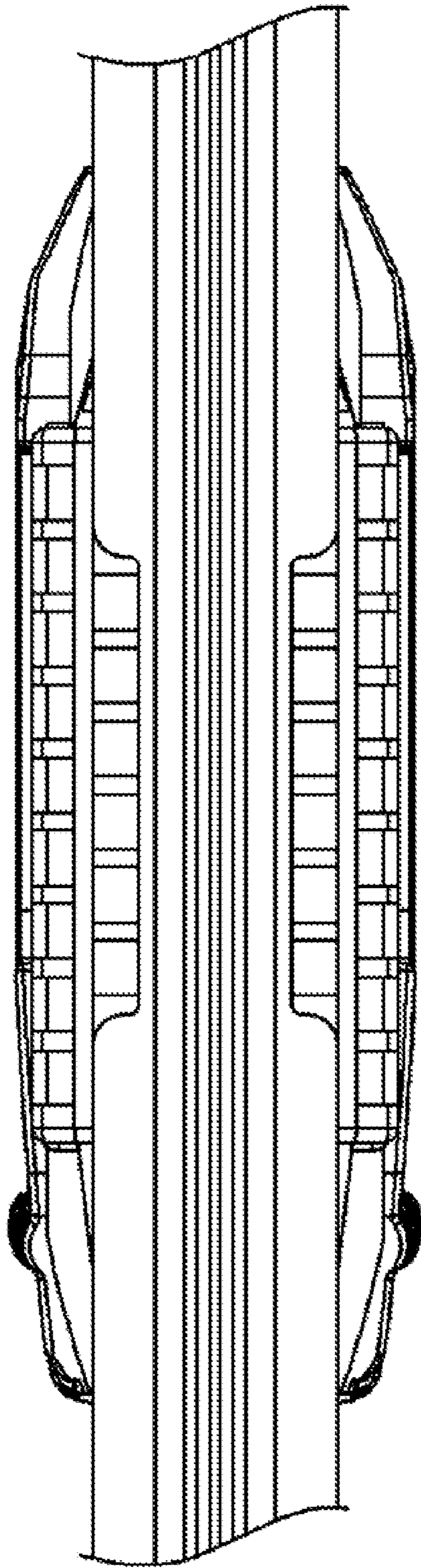


Fig. 11