



US00D606479S

(12) **United States Design Patent**
Kim

(10) **Patent No.:** **US D606,479 S**

(45) **Date of Patent:** **** Dec. 22, 2009**

(54) **WIPER FOR AUTOMOBILES**

2009/0100626 A1* 4/2009 Kim 15/250.05

(75) Inventor: **In-Kyu Kim**, Ansan-si (KR)

* cited by examiner

(73) Assignee: **ADM21 Co., Ltd.**, Gyeonggi-do (KR)

Primary Examiner—Caron Veynar
Assistant Examiner—Katrina A Kile

(**) Term: **14 Years**

(74) *Attorney, Agent, or Firm*—Woodcock Washburn LLP

(21) Appl. No.: **29/302,380**

(57) **CLAIM**

(22) Filed: **Jan. 15, 2008**

The ornamental design for a wiper for automobiles, as shown and described.

(51) **LOC (9) Cl.** **12-16**

(52) **U.S. Cl.** **D12/219**

(58) **Field of Classification Search** D12/219–220;
15/246, 247, 250.001, 250.41, 250.4, 250.361,
15/250.19, 250.48, 250.03, 250.31–250.33,
15/250.351, 250.38, 250.201, 250.451–458,
15/250.04, 250.07, 250.44

See application file for complete search history.

DESCRIPTION

FIG. 1 is a perspective view of the wiper for automobiles.

FIG. 2 is a front view thereof.

FIG. 3 is a rear view thereof.

FIG. 4 is a left side view thereof.

FIG. 5 is a right side view thereof.

FIG. 6 is a top plan view thereof.

FIG. 7 is a bottom plan view thereof.

FIG. 8 is an enlarged fragmentary view of the right half of the wiper for automobiles shown in FIG. 1; and,

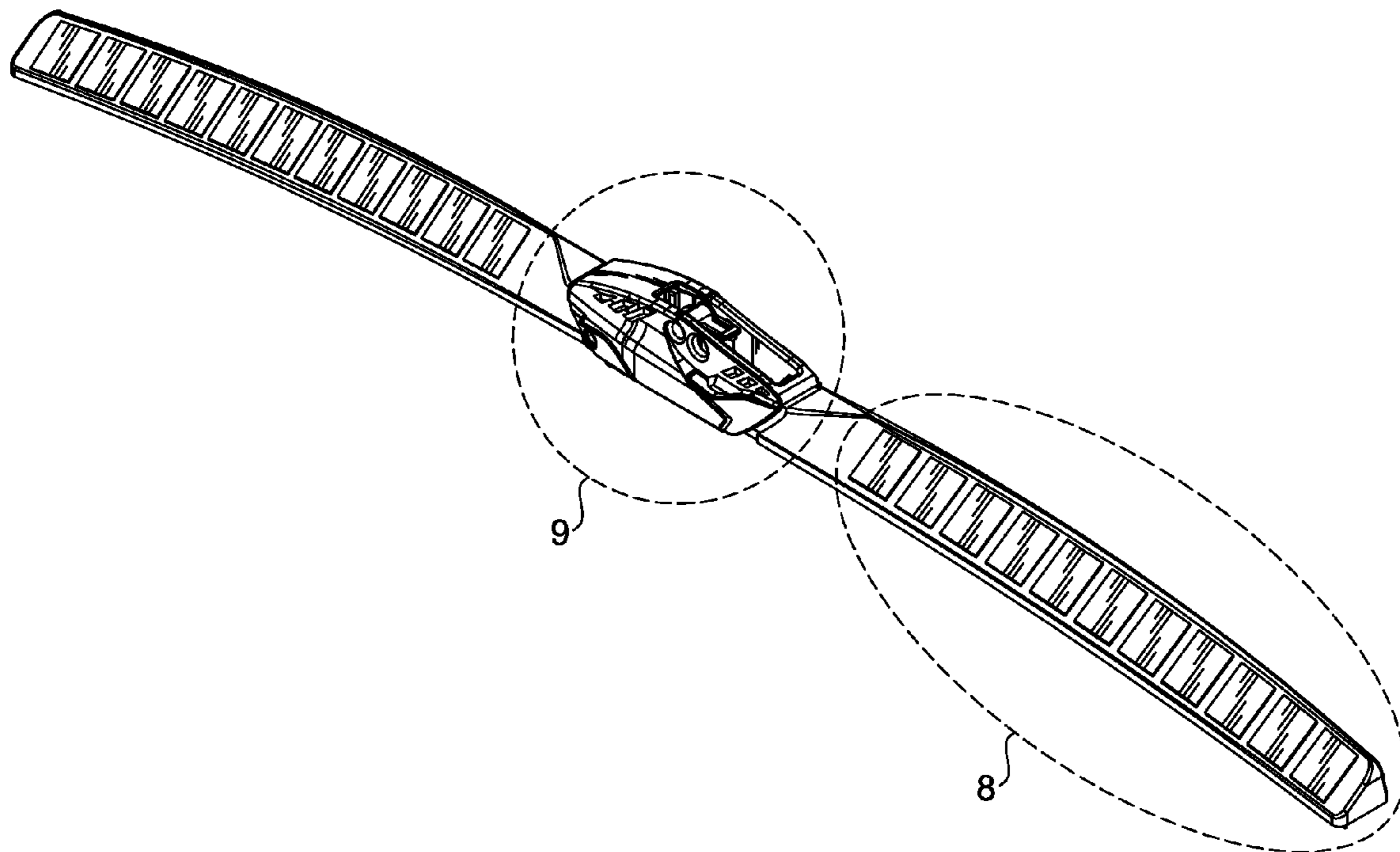
FIG. 9 is an enlarged fragmentary view of the center portion of the wiper for automobiles shown in FIG. 1.

(56) **References Cited**

U.S. PATENT DOCUMENTS

3,088,155	A *	5/1963	Smithers	15/250.201
3,104,412	A *	9/1963	Hinder	15/250.43
5,223,976	A *	6/1993	Fujie et al.	359/507
2002/0053113	A1 *	5/2002	Boland et al.	15/250.48
2006/0026786	A1 *	2/2006	Ku	15/250.32
2008/0028564	A1 *	2/2008	Ku	15/250.43
2008/0052865	A1 *	3/2008	Chiang	15/250.43

1 Claim, 5 Drawing Sheets



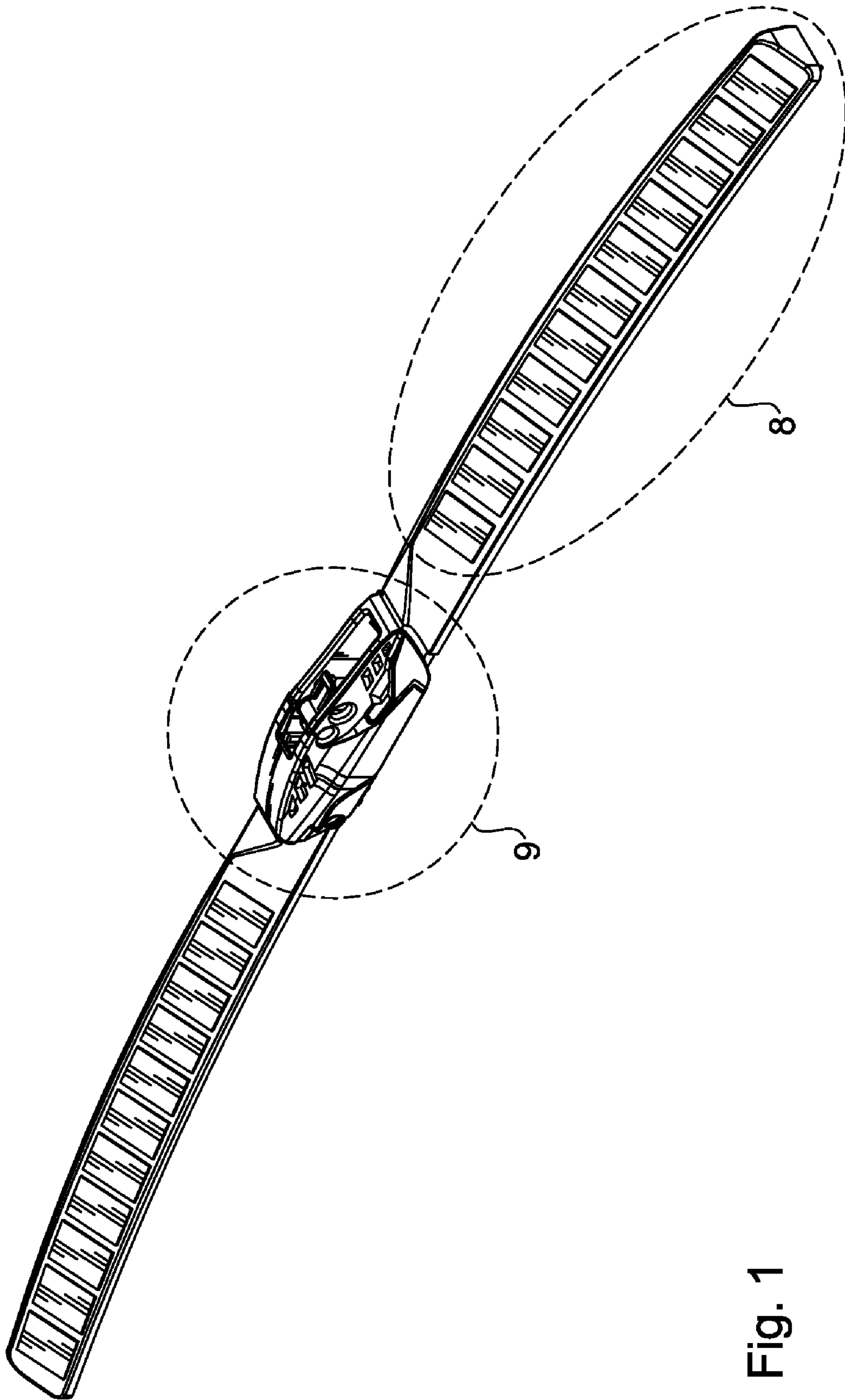


Fig. 1

Fig. 2

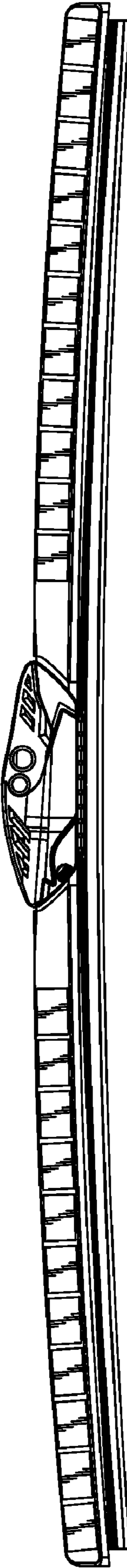


Fig. 3

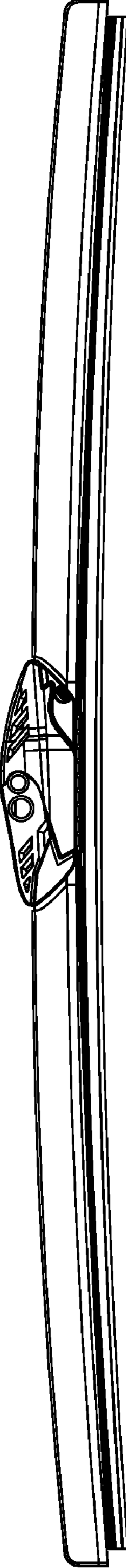


Fig. 5

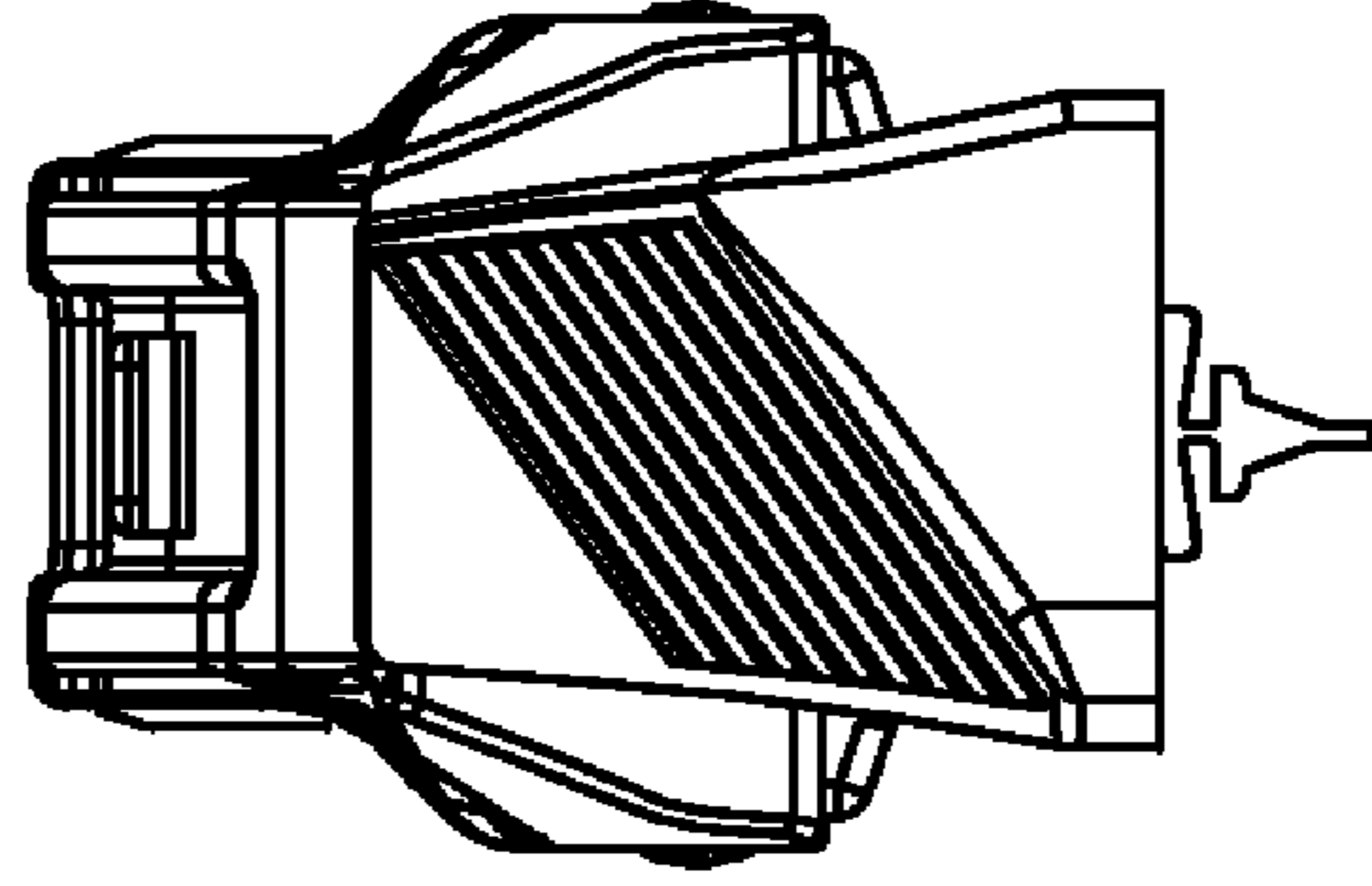


Fig. 4

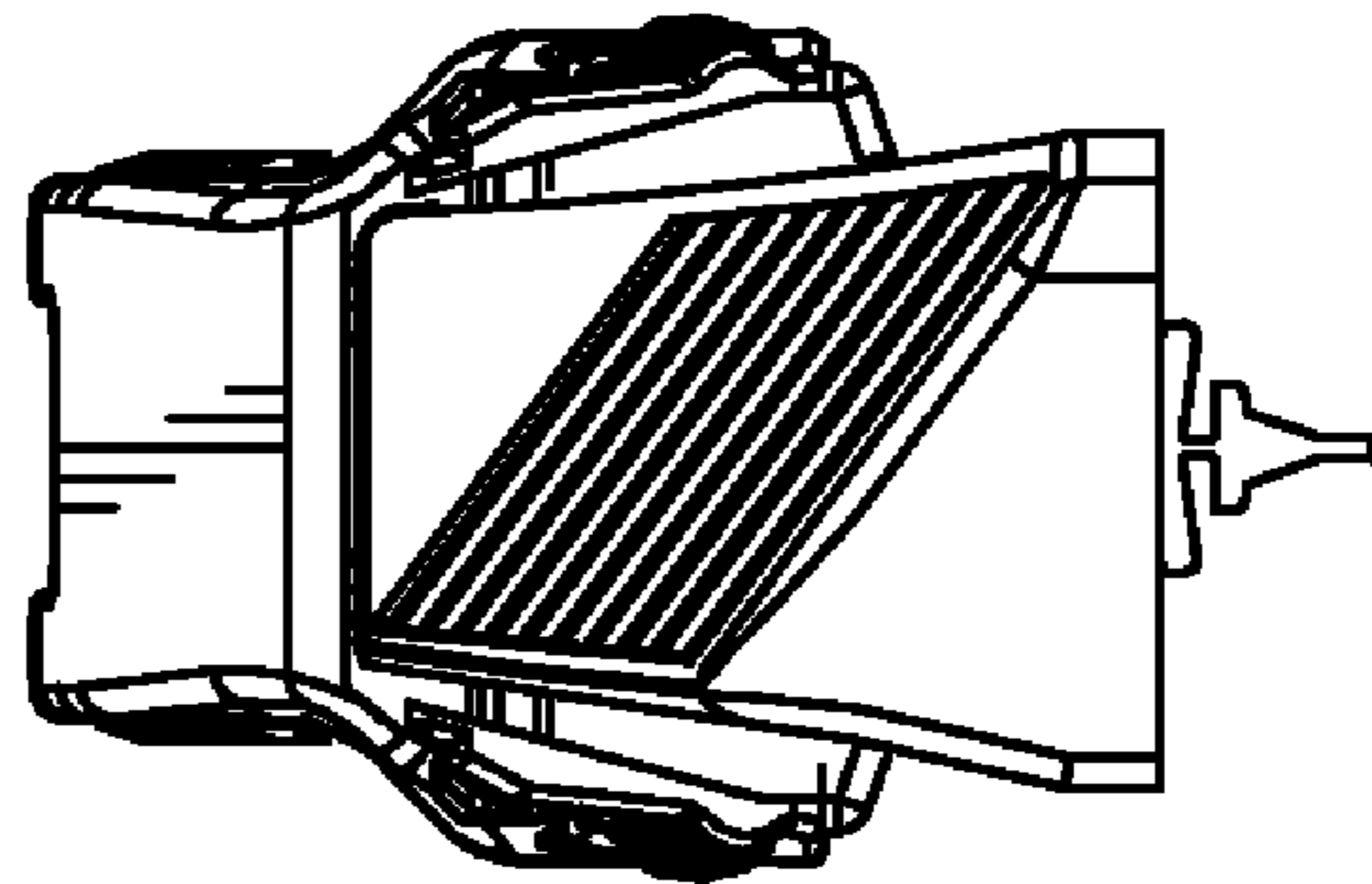


Fig. 6

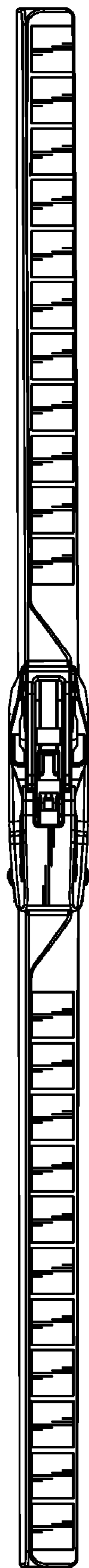


Fig. 7

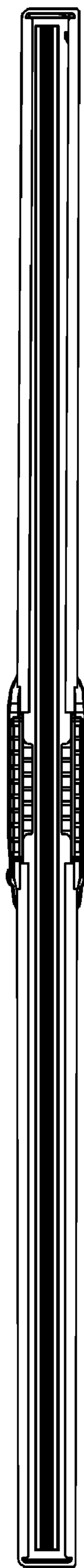


Fig. 8

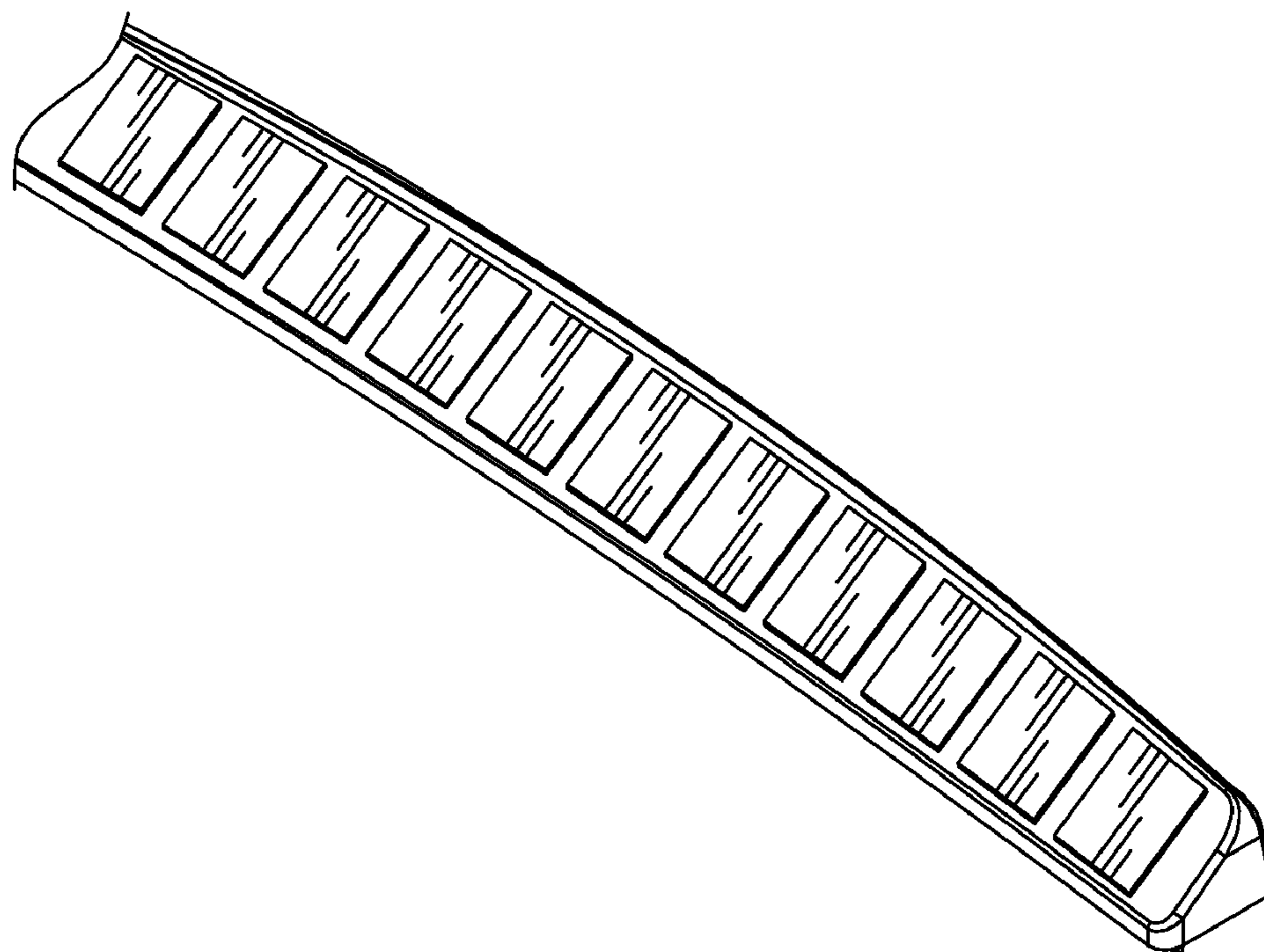


Fig. 9

