



US00D606478S

(12) **United States Design Patent**  
**Bourgeois**

(10) **Patent No.:** **US D606,478 S**

(45) **Date of Patent:** **\*\* Dec. 22, 2009**

(54) **WHEEL RIM**

(75) Inventor: **Luc Bourgeois**, Ste-Therese (CA)

(73) Assignee: **Bombardier Recreational Products, Inc.**, Valcourt (CA)

(\*\*) Term: **14 Years**

(21) Appl. No.: **29/340,124**

(22) Filed: **Jul. 14, 2009**

(51) **LOC (9) Cl.** ..... **12-16**

(52) **U.S. Cl.** ..... **D12/211**

(58) **Field of Classification Search** ..... D12/204–213;  
301/37.101, 64.101, 65, 64.201

See application file for complete search history.

(56) **References Cited**

U.S. PATENT DOCUMENTS

D415,094 S *	10/1999	Neeper	.....	D12/211
D436,573 S *	1/2001	Neeper	.....	D12/211
D437,279 S *	2/2001	O'Connell	.....	D12/211
D506,174 S *	6/2005	Chen	.....	D12/211
D518,766 S *	4/2006	Burns	.....	D12/211
D524,219 S *	7/2006	Scheu	.....	D12/211
D541,205 S *	4/2007	Plumer	.....	D12/211
D582,334 S *	12/2008	Fournier	.....	D12/211
D586,285 S *	2/2009	Fridie	.....	D12/211
D594,804 S *	6/2009	Laengerer	.....	D12/211

\* cited by examiner

Primary Examiner—Stacia Cadmus

(74) *Attorney, Agent, or Firm*—Osler, Hoskin & Harcourt LLP

(57) **CLAIM**

The ornamental design for a wheel rim, as shown and described.

**DESCRIPTION**

FIG. 1 is a perspective view, taken from a top, front, left side, showing a wheel rim according to my design;

FIG. 2 is a front elevation view thereof;

FIG. 3 is a right side elevation view thereof, the left side elevation view being a mirror image thereof;

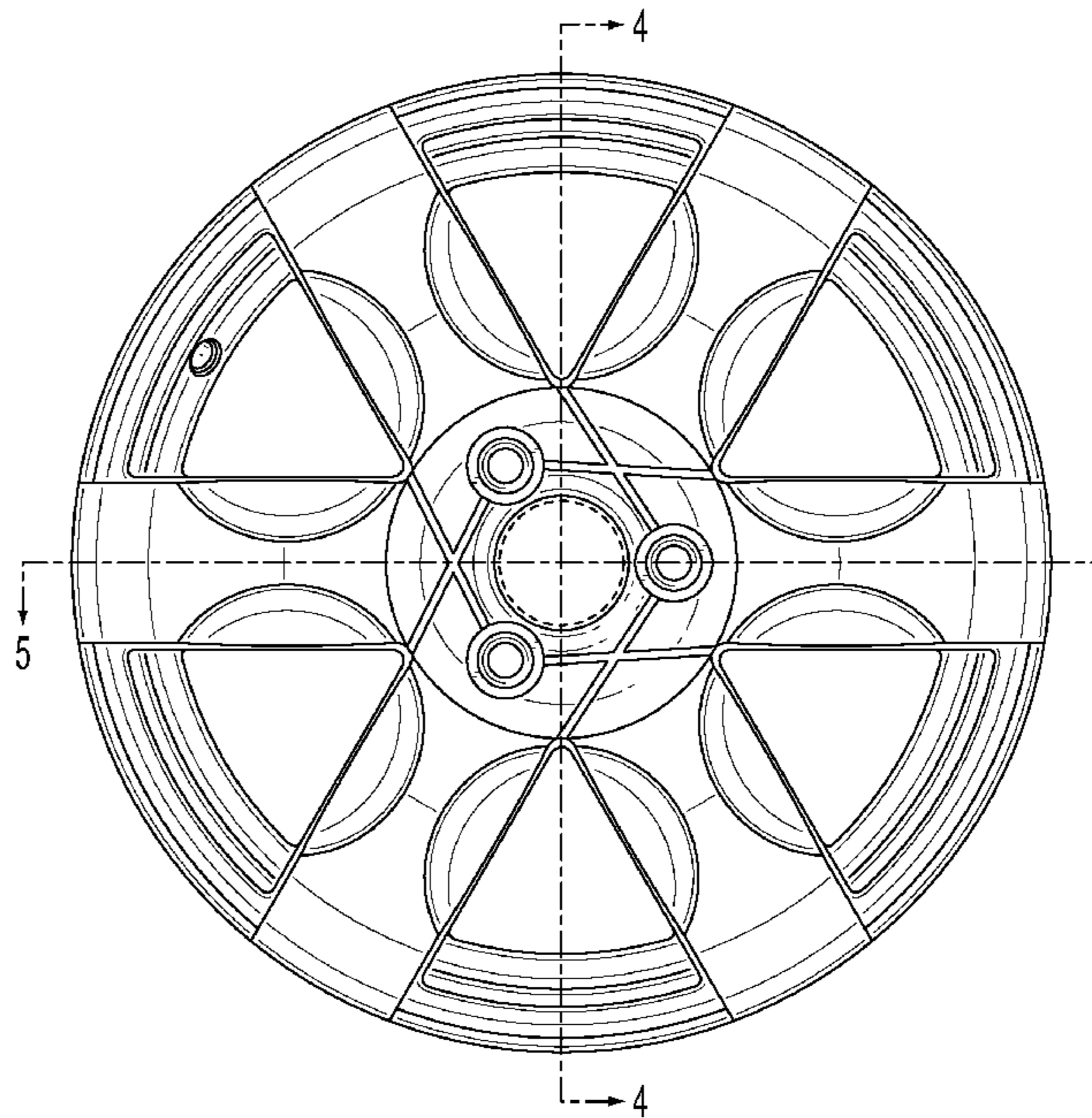
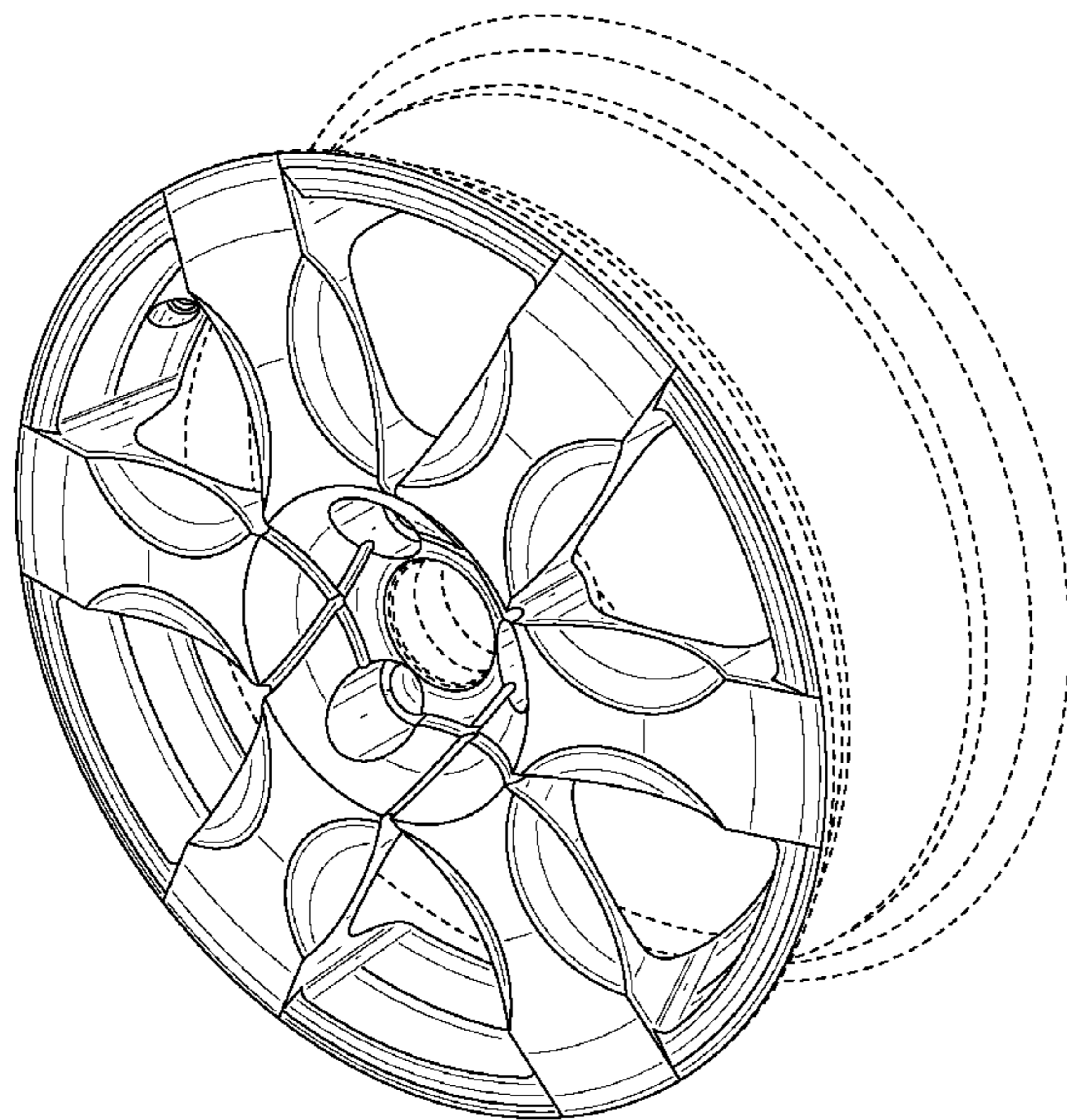
FIG. 4 is a cross-sectional view thereof, taken through line 4—4 in FIG. 2;

FIG. 5 is a cross-sectional view thereof, taken through line 5—5 in FIG. 2; and,

FIG. 6 is a front elevation view thereof, shown on a three-wheeled road vehicle, with the vehicle shown in broken lines.

Throughout the figures, the dashed broken lines show unclaimed structure or environment, and form no part of the claimed design.

**1 Claim, 6 Drawing Sheets**



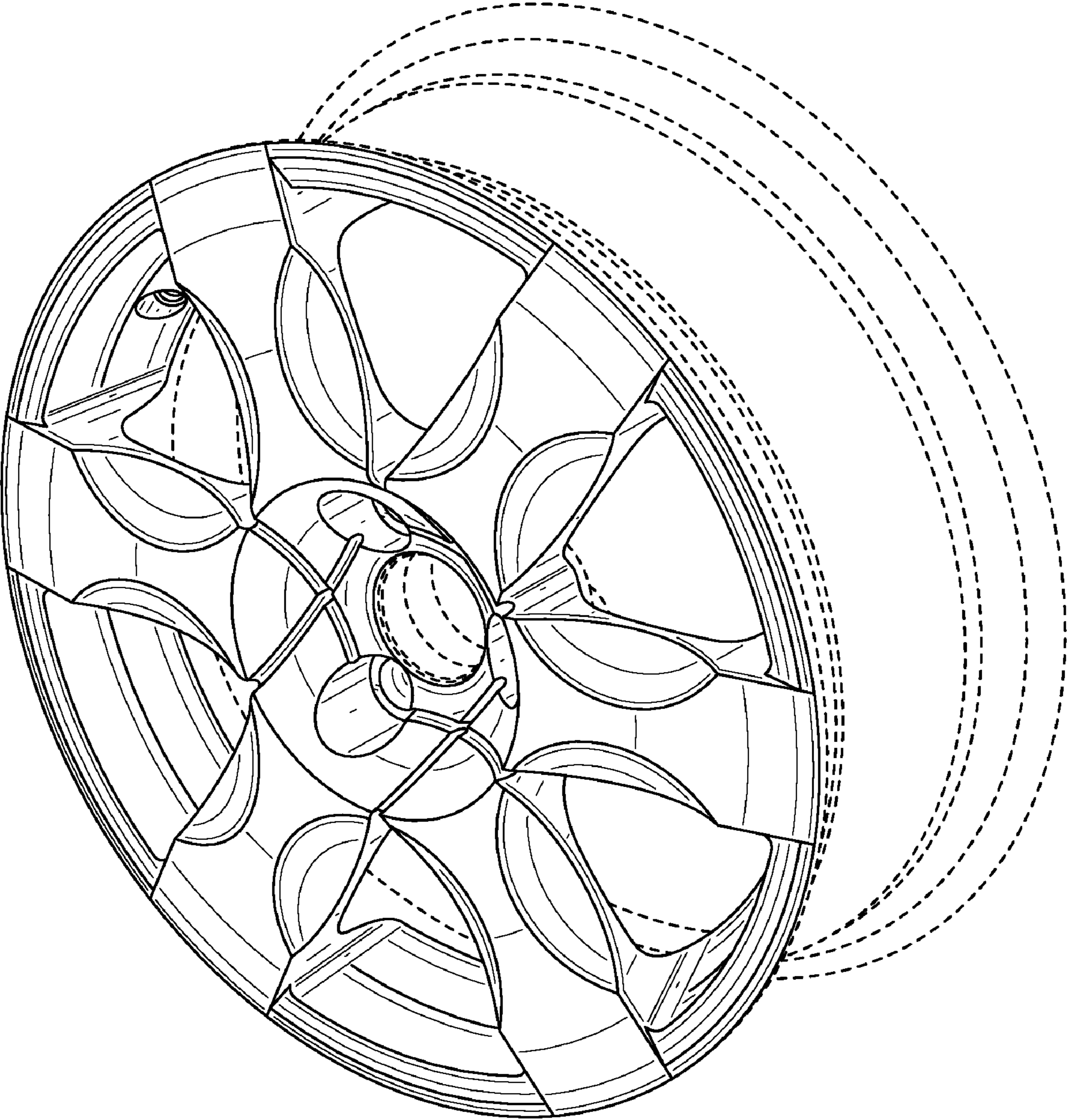


FIG. 1

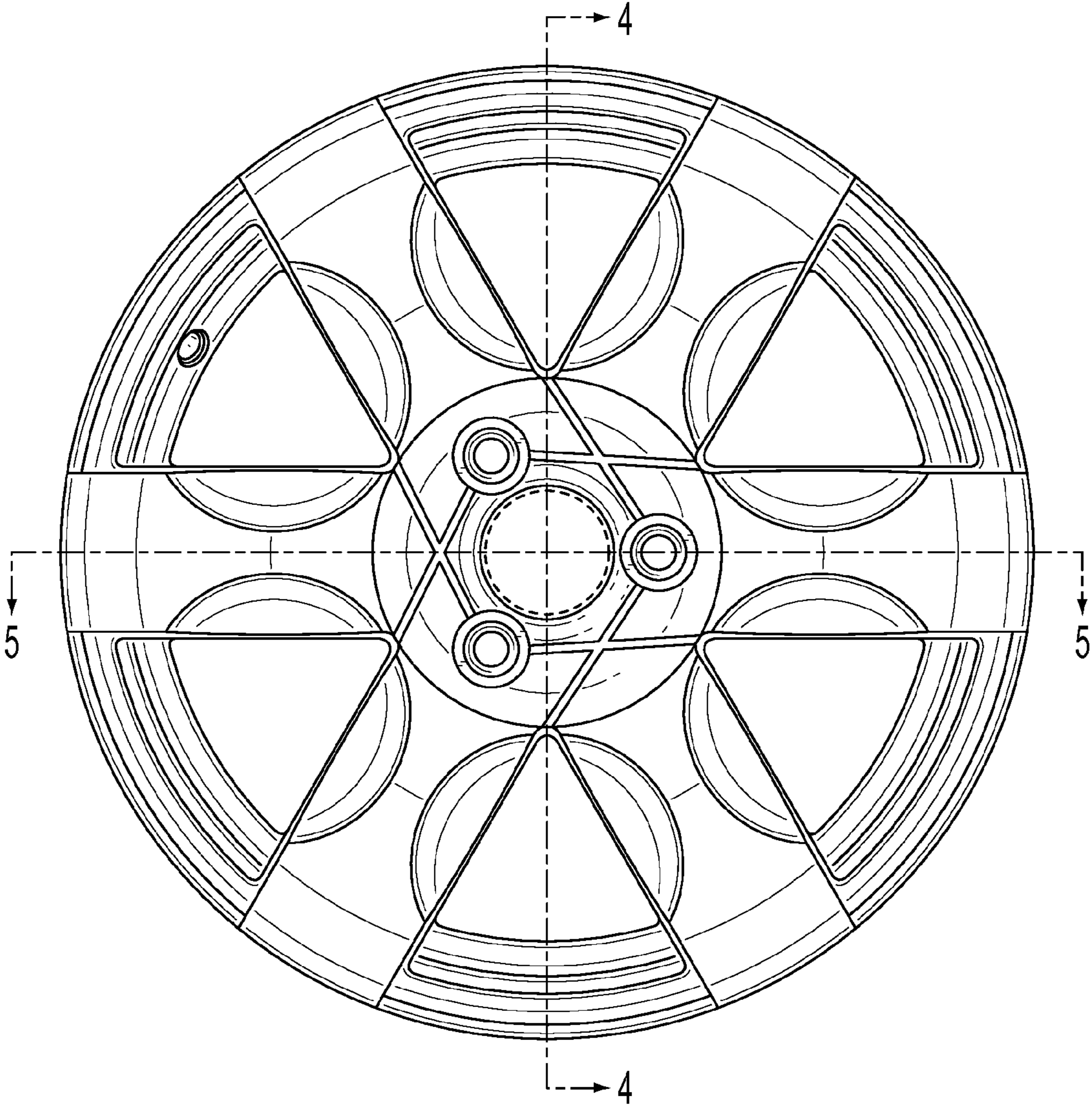


FIG. 2

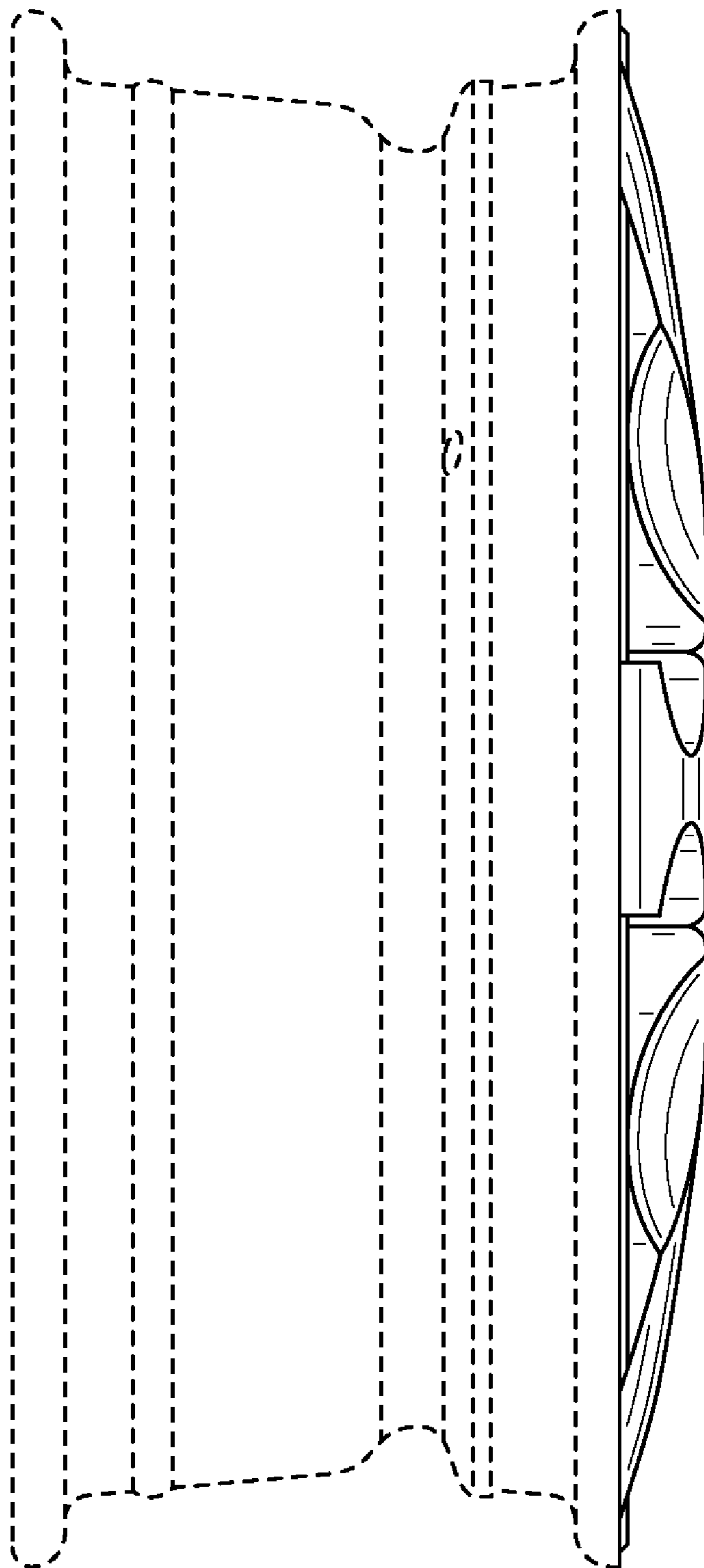


FIG. 3

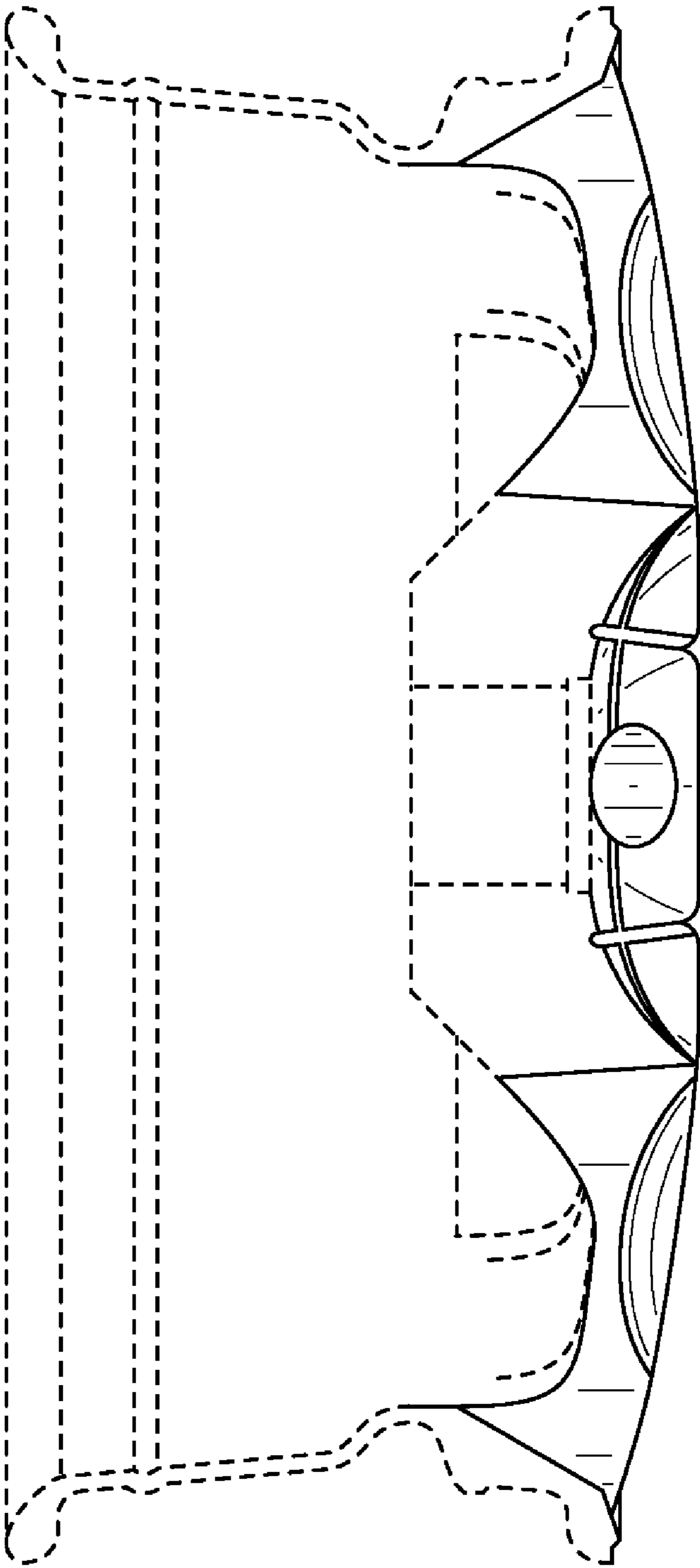


FIG. 4

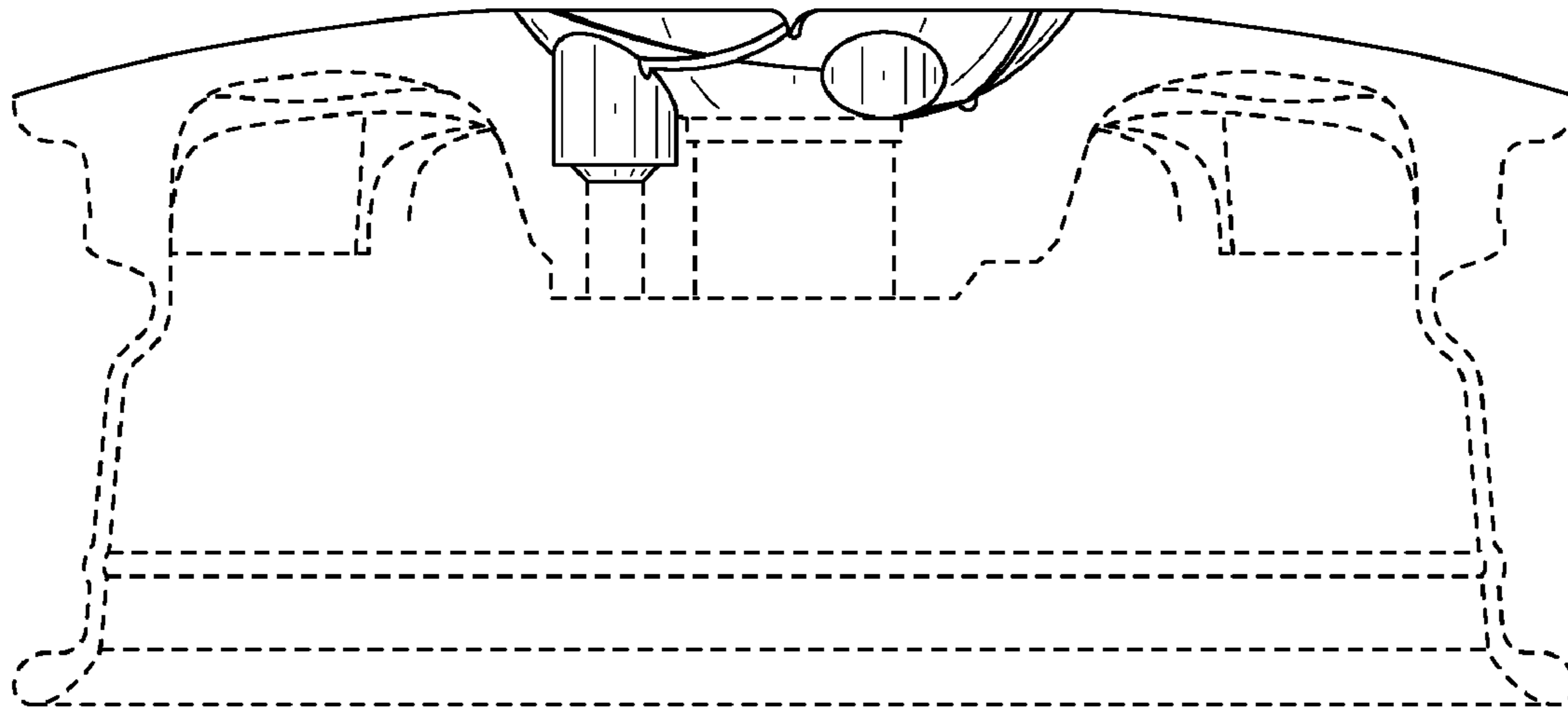


FIG. 5

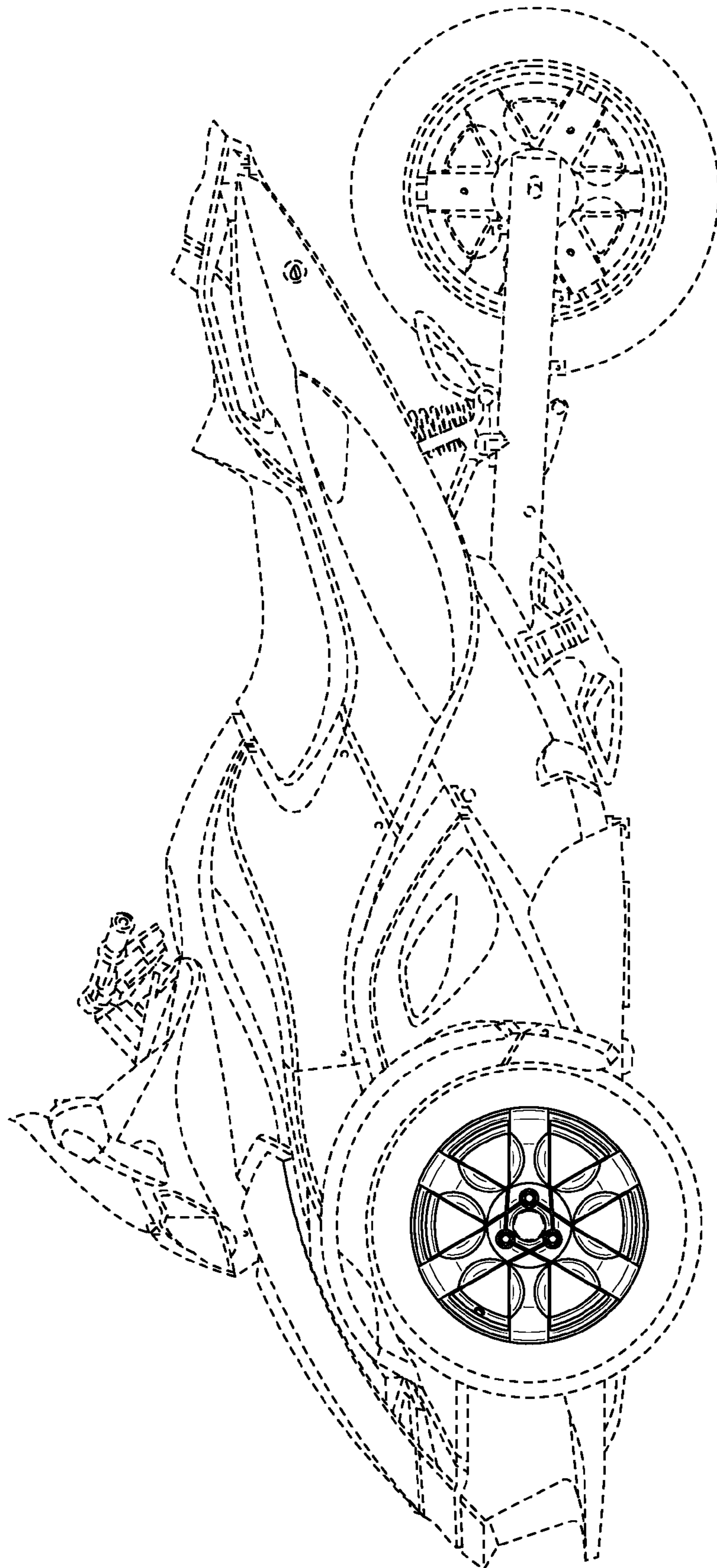


FIG. 6