



US00D606475S

(12) **United States Design Patent**
Larson et al.

(10) **Patent No.:** **US D606,475 S**

(45) **Date of Patent:** **** Dec. 22, 2009**

(54) **REAR PORTION OF AN AUTOMOBILE**

(75) Inventors: **Grant Larson**, Ludwigsburg (DE);
Hakan Saracoglu, Stuttgart (DE)

(73) Assignee: **Dr. Ing. h.c. F. Porsche**
Aktiengesellschaft, Weissach (DE)

(**) Term: **14 Years**

(21) Appl. No.: **29/320,005**

(22) Filed: **Jun. 18, 2008**

(30) **Foreign Application Priority Data**

Dec. 18, 2007 (DE) 4 07 06 225

(51) **LOC (9) Cl.** **12-16**

(52) **U.S. Cl.** **D12/196**

(58) **Field of Classification Search** D12/196,
D12/90-92, 86, 88; 296/181.1, 181.5
See application file for complete search history.

(56) **References Cited**

U.S. PATENT DOCUMENTS

D526,945 S * 8/2006 Lai D12/196

D551,120 S * 9/2007 De Bruijn D12/92
D576,523 S * 9/2008 Battams et al. D12/88
D581,336 S * 11/2008 Gabath et al. D12/196
D590,301 S * 4/2009 Saracoglu D12/92
D592,553 S * 5/2009 Larson et al. D12/92

* cited by examiner

Primary Examiner—Melody N Brown

(57) **CLAIM**

The ornamental design for the rear portion of an automobile part, as shown and described.

DESCRIPTION

FIG. 1 is a top, side-perspective view of the rear portion of an automobile part showing my new design;

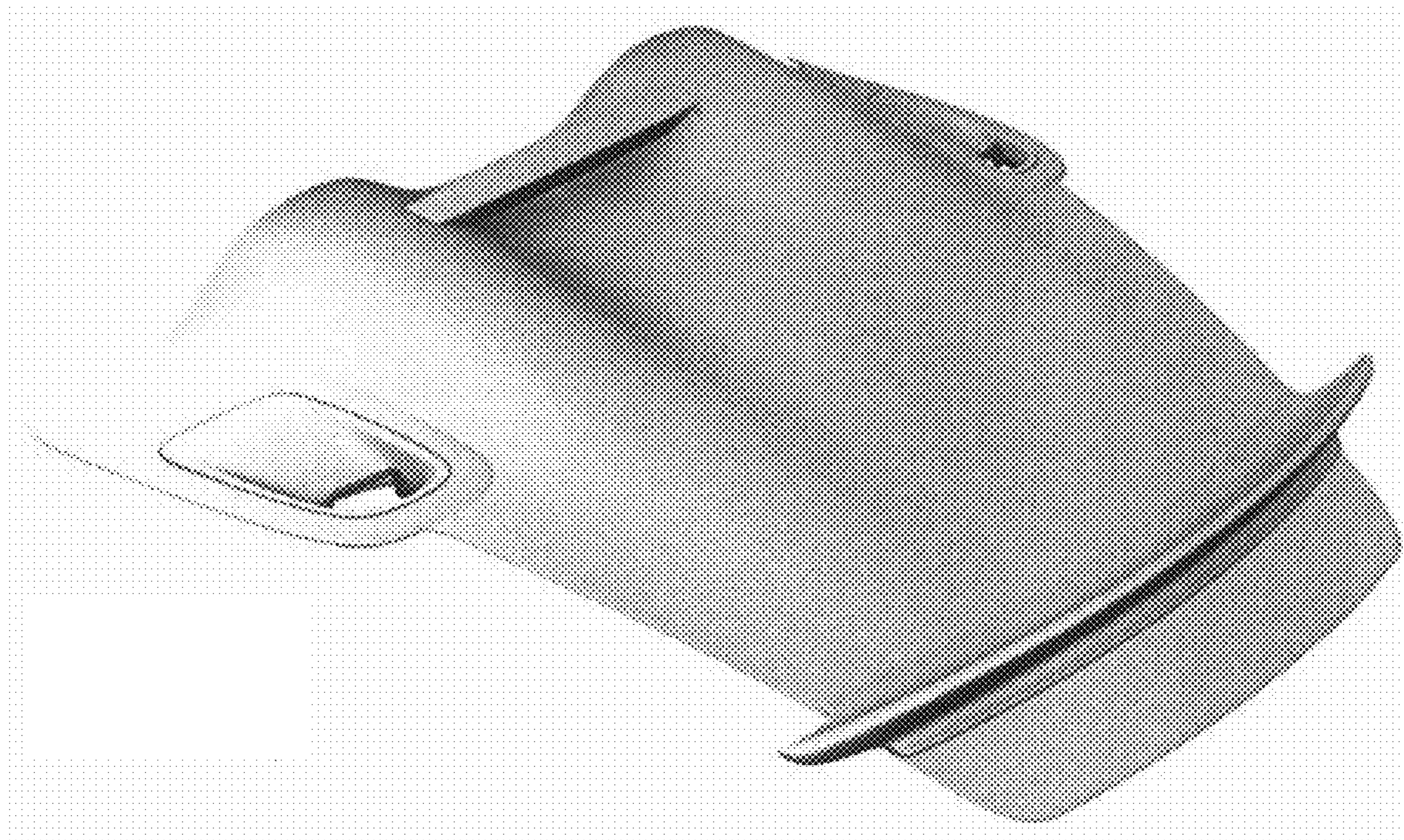
FIG. 2 is a top plan view thereof;

FIG. 3 is a left-side view thereof;

FIG. 4 is right-side view thereof; and,

FIG. 5 is front view thereof.

1 Claim, 2 Drawing Sheets



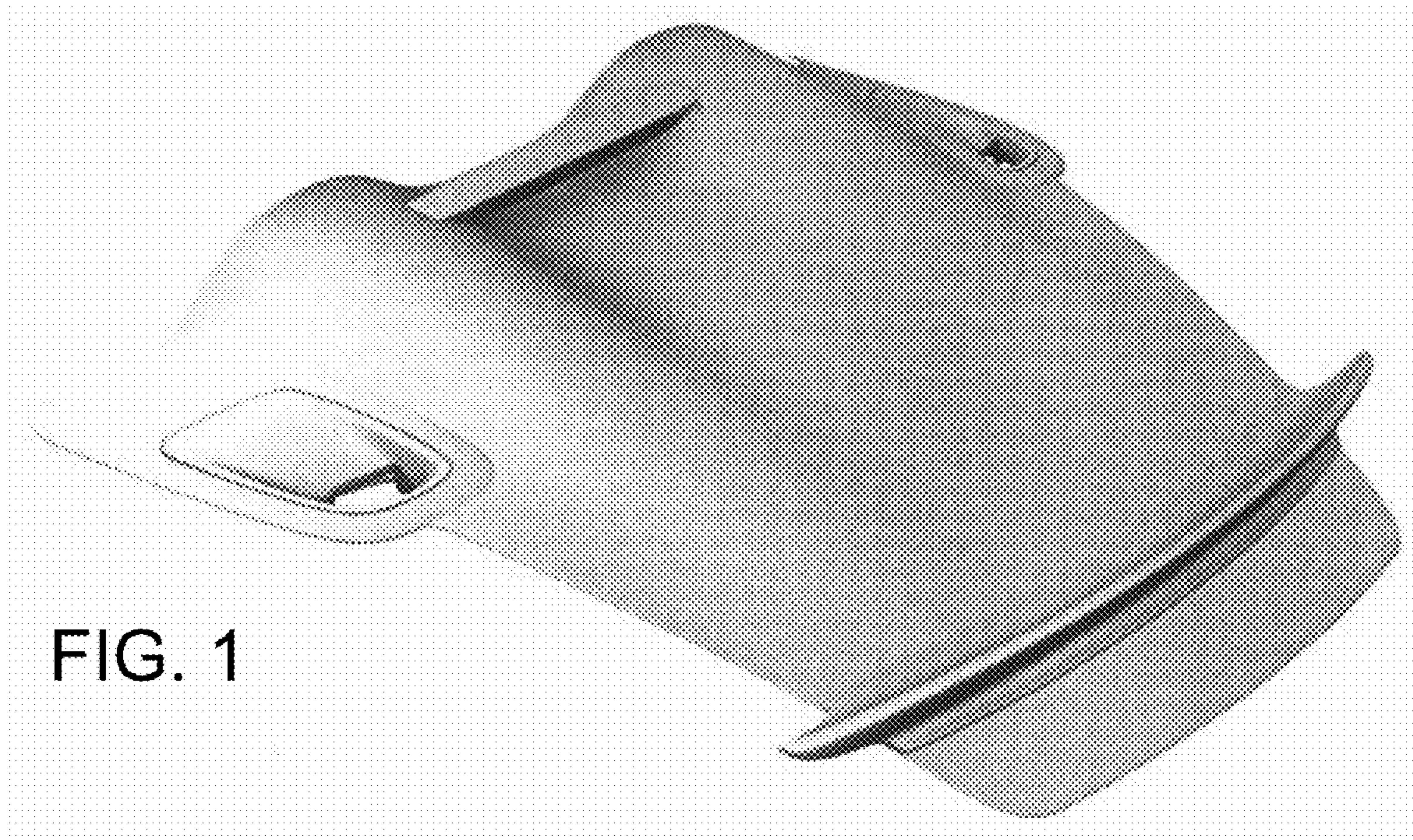


FIG. 1

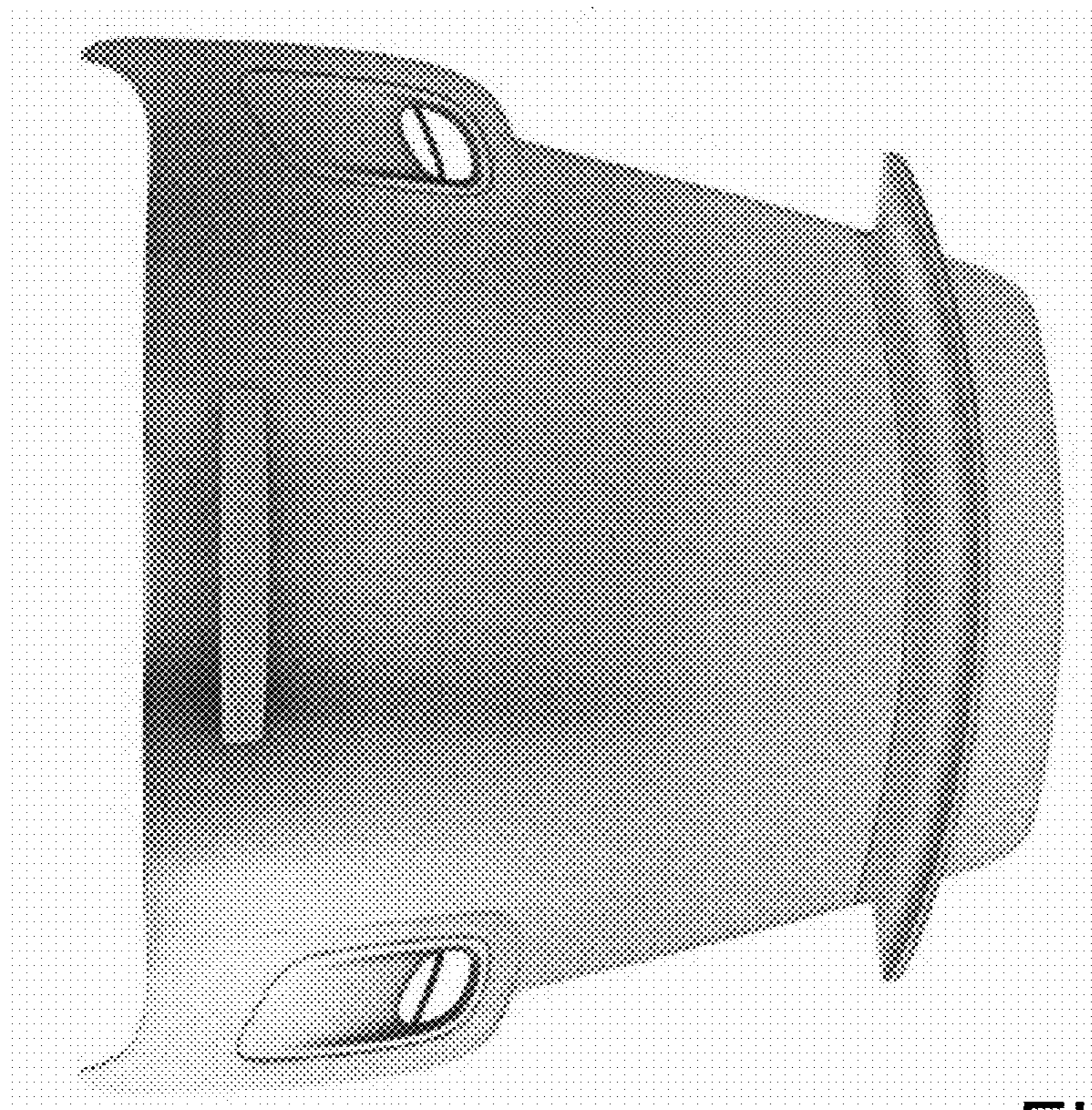


FIG. 2

FIG. 3

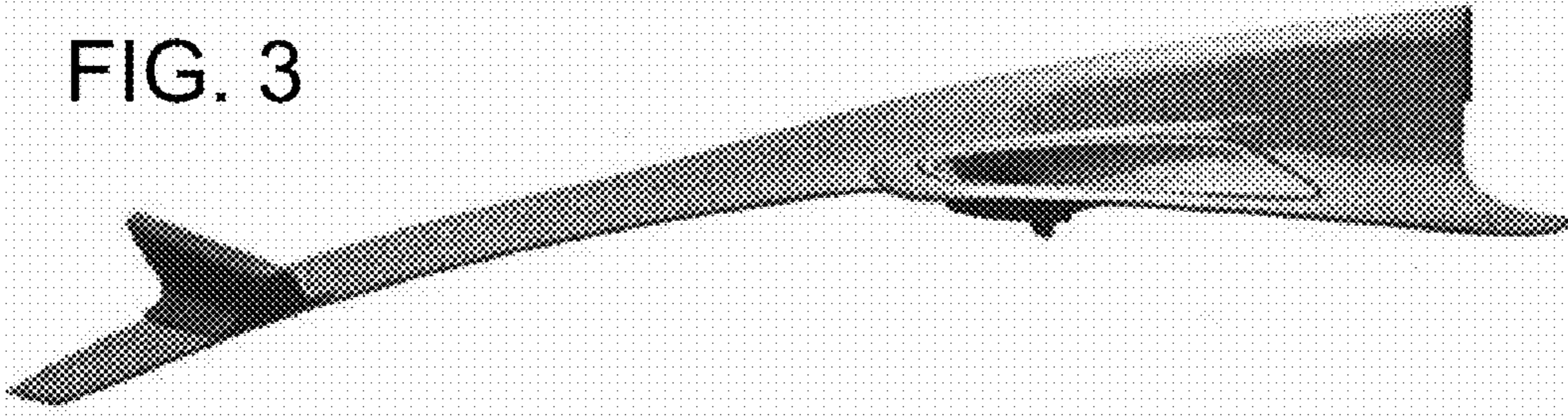


FIG. 4

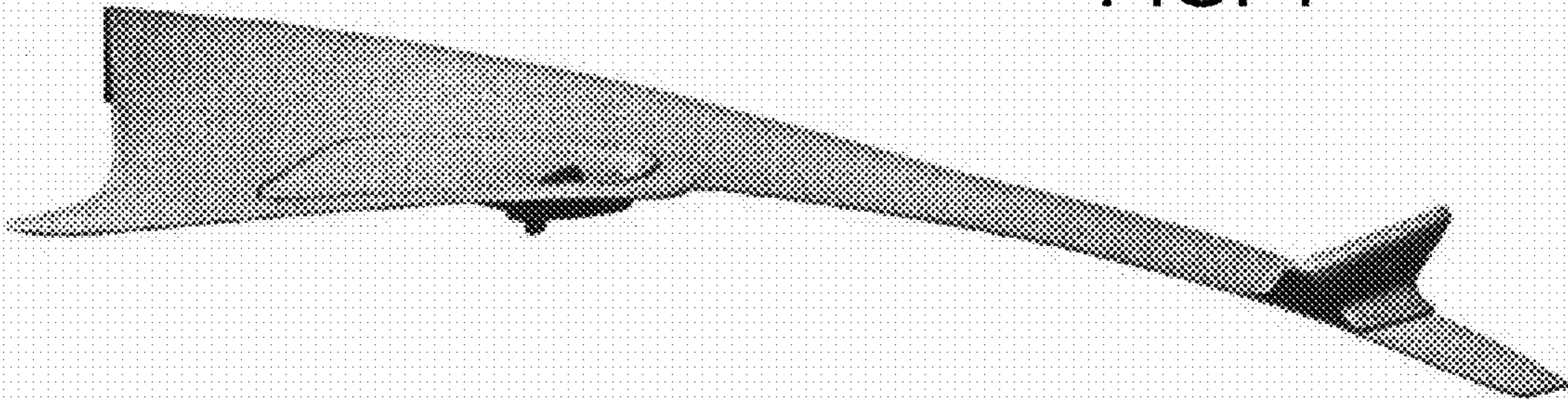


FIG. 5

