



US00D606474S

(12) **United States Design Patent**  
**Schlater**

(10) **Patent No.:** **US D606,474 S**

(45) **Date of Patent:** **\*\* Dec. 22, 2009**

(54) **MOLDING FOR SEALING A MOTOR  
VEHICLE WINDSHIELD WITH A COWL  
PANEL**

D597,909	S	*	8/2009	Schlater et al.	.....	D12/190
2007/0257449	A1	*	11/2007	Pelchat et al.	.....	277/650
2009/0071077	A1	*	3/2009	Takase et al.	.....	49/489.1
2009/0137716	A1	*	5/2009	Furukawa et al.	.....	524/426
2009/0158630	A1	*	6/2009	Calderwood	.....	40/591

(75) Inventor: **Timothy J. Schlater**, Dayton, OH (US)

(73) Assignee: **Creative Extruded Products, Inc.**, Tipp  
City, OH (US)

(\*\*) Term: **14 Years**

(21) Appl. No.: **29/314,804**

(22) Filed: **May 4, 2009**

(51) **LOC (9) Cl.** ..... **12-08**

(52) **U.S. Cl.** ..... **D12/190**

(58) **Field of Classification Search** ..... D12/190,  
D12/181, 196, 400, 114, 119-125, 197, 199,  
D12/86, 171, 172, 173, 169, 163; D11/211,  
D11/115; 293/1.07, 1.08; D20/11, 23, 24,  
D20/25; 40/760, 591-594

See application file for complete search history.

(56) **References Cited**

**U.S. PATENT DOCUMENTS**

4,975,306	A	*	12/1990	Jackson	.....	428/31
5,348,364	A	*	9/1994	Yada	.....	296/93
5,864,996	A	*	2/1999	Veldman et al.	.....	52/204.597

\* cited by examiner

*Primary Examiner*—Caron Veynar

*Assistant Examiner*—Katrina A Kile

(74) *Attorney, Agent, or Firm*—Jacox, Meckstroth & Jenkins

(57) **CLAIM**

The ornamental design for a molding for sealing a motor vehicle windshield with a cowl panel, as shown and described.

**DESCRIPTION**

FIG. 1 is a perspective view of a molding for sealing a motor vehicle windshield with a cowl panel, showing my new design; and,

FIG. 2 is an end view thereof.

The middle portion of the molding is broken away in FIG. 1 to indicate no particular length. The broken lines in FIG. 2 show a window edge portion and foam tape and form no part of the claimed design.

**1 Claim, 1 Drawing Sheet**

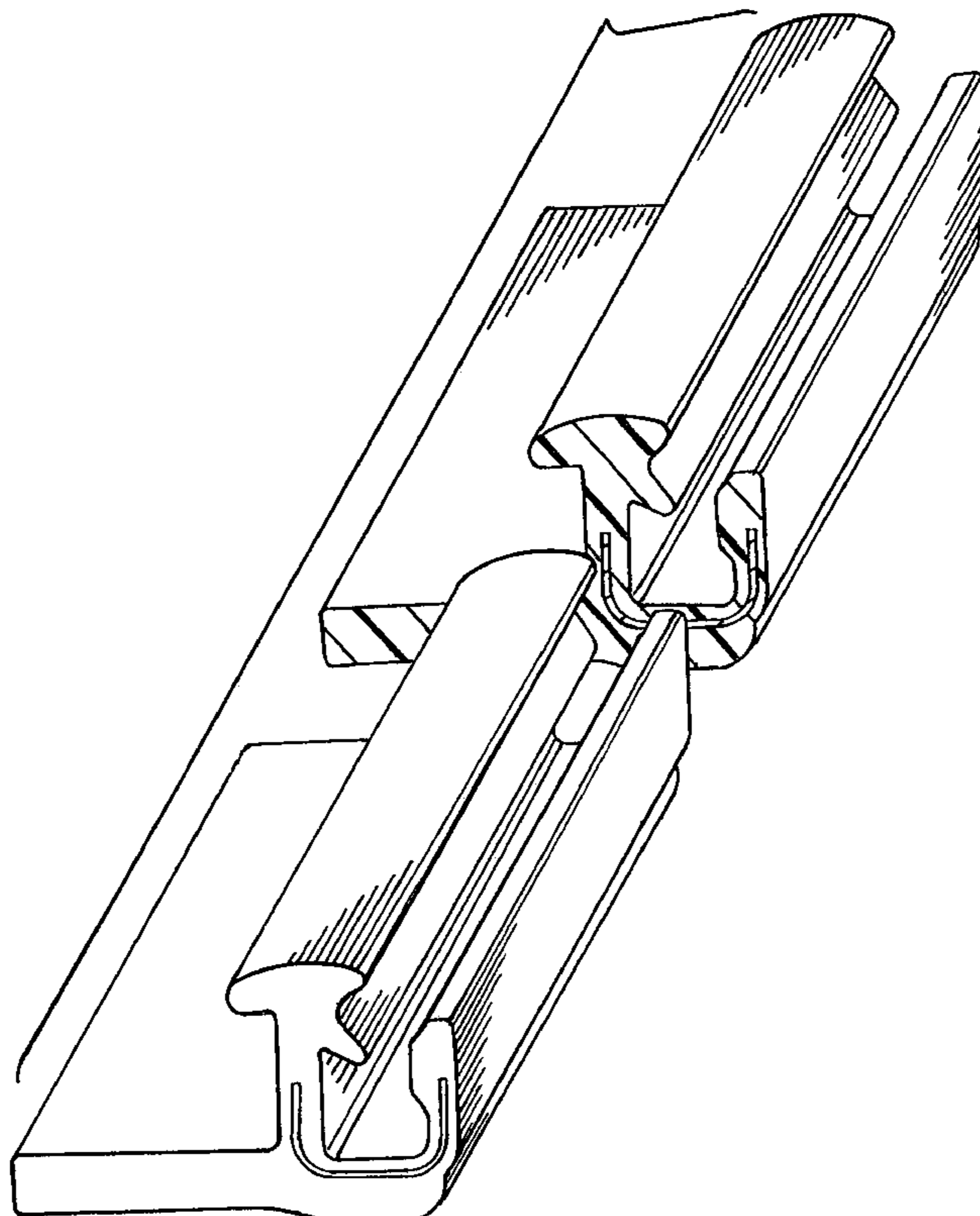


FIG-1

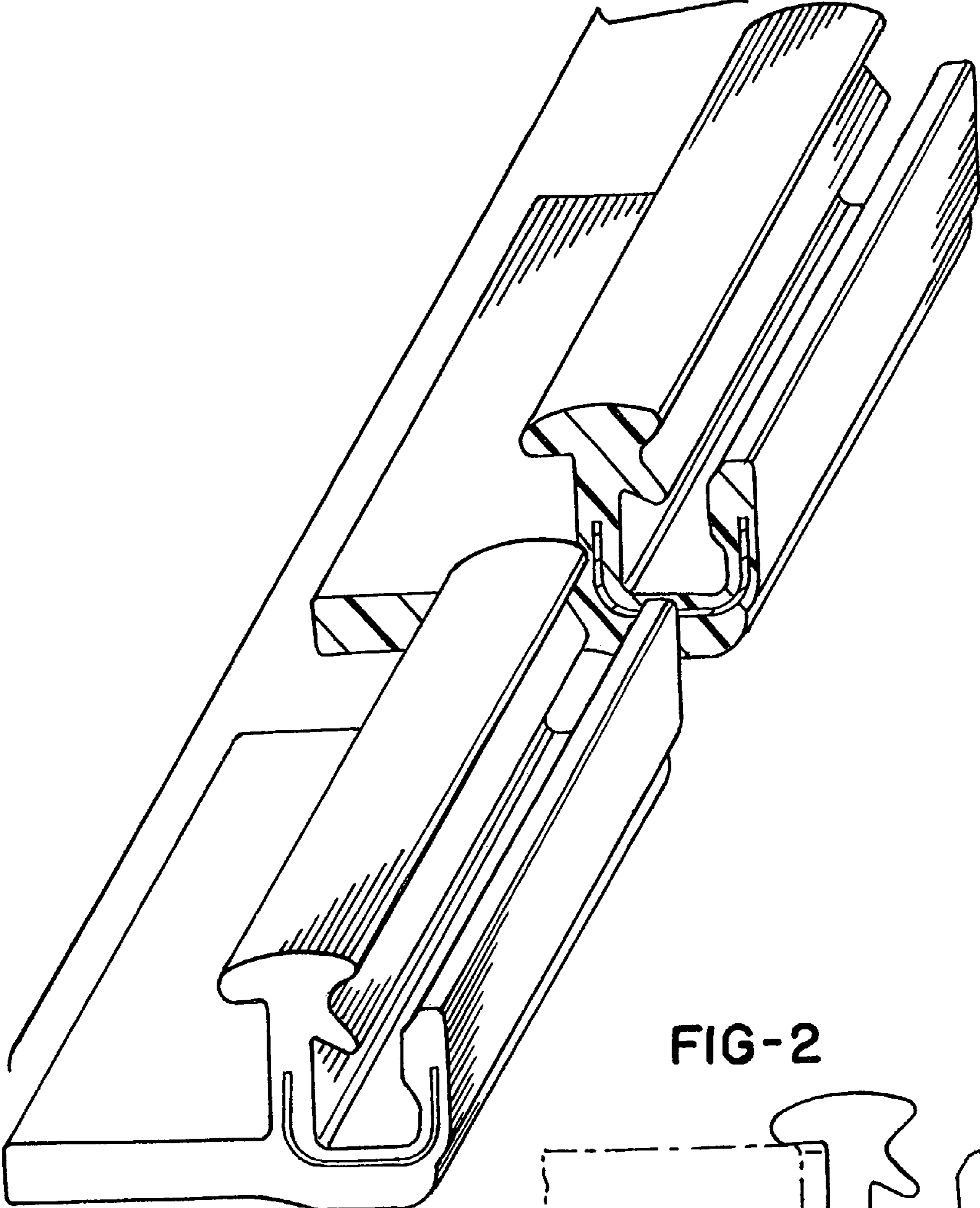


FIG-2

