



US00D606460S

(12) **United States Design Patent**
Richards et al.

(10) **Patent No.:** **US D606,460 S**

(45) **Date of Patent:** **** Dec. 22, 2009**

(54) **VEHICLE UPPER GRILLE**

D561,655 S * 2/2008 Ellis et al. D12/163
D561,656 S * 2/2008 Ellis et al. D12/163
D573,067 S * 7/2008 Ho D12/163

(75) Inventors: **Bradley Alan Richards**, Bloomfield Hills, MI (US); **Steven Gilmore**, Redford, MI (US); **Patrick J. Schiavone**, Bloomfield, MI (US)

* cited by examiner

Primary Examiner—Melody N Brown

(74) *Attorney, Agent, or Firm*—Damian Porcari

(73) Assignee: **Ford Motor Company**, Dearborn, MI (US)

(57) **CLAIM**

(**) Term: **14 Years**

The ornamental design for a vehicle upper grille, as shown and described

(21) Appl. No.: **29/333,632**

(22) Filed: **Mar. 12, 2009**

DESCRIPTION

(51) **LOC (9) Cl.** **12-16**

FIG. 1 is a front elevational view of a right vehicle upper grille (as viewed from the front of the vehicle);

(52) **U.S. Cl.** **D12/163**

FIG. 2 is a right side elevational view of the vehicle upper grille;

(58) **Field of Classification Search** D12/163,
D12/196, 171, 169, 216, 90-92, 86; 180/68.1,
180/68.6; 296/193.11

FIG. 3 is a left side elevational view of the vehicle upper grille;

See application file for complete search history.

FIG. 4 is a top plan view of the vehicle upper grille;

(56) **References Cited**

FIG. 5 is a bottom plan view of the vehicle upper grille; and,

U.S. PATENT DOCUMENTS

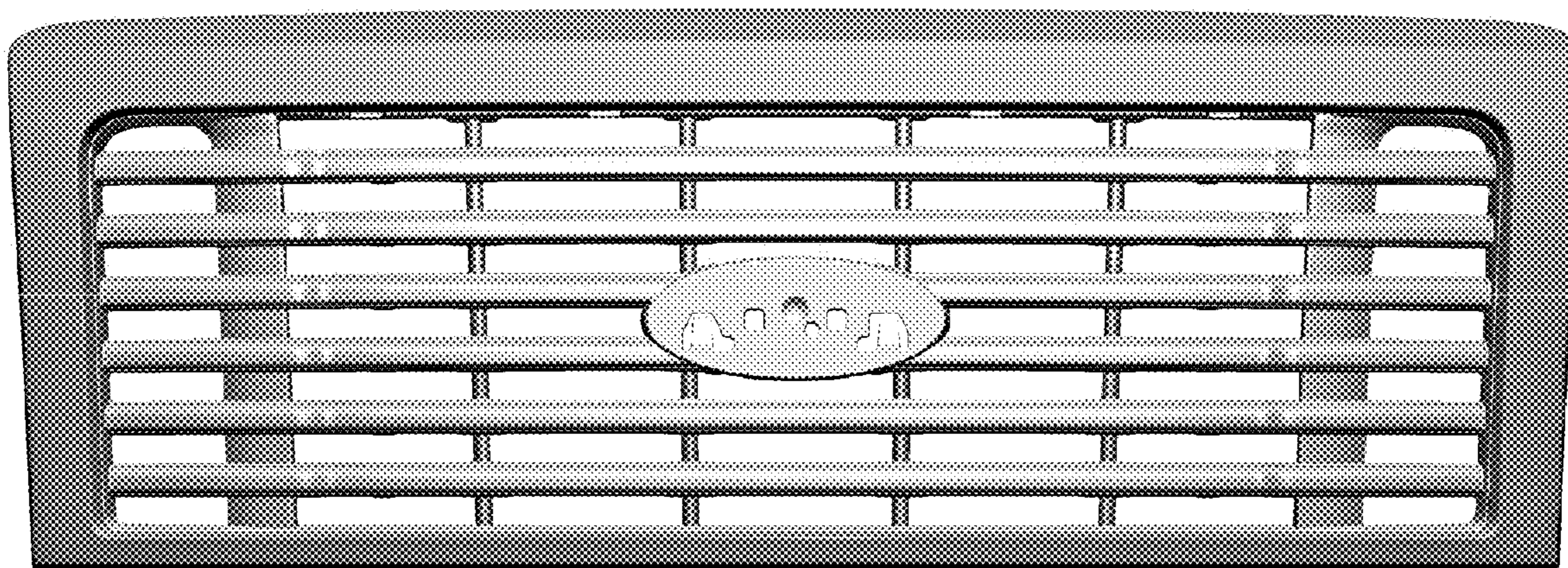
FIG. 6 is an elevational view of the vehicle upper grille (as viewed from the rear of the vehicle).

D526,605 S * 8/2006 Chung D12/163

D527,694 S * 9/2006 Chung D12/163

D560,568 S * 1/2008 Tant et al. D12/163

1 Claim, 4 Drawing Sheets



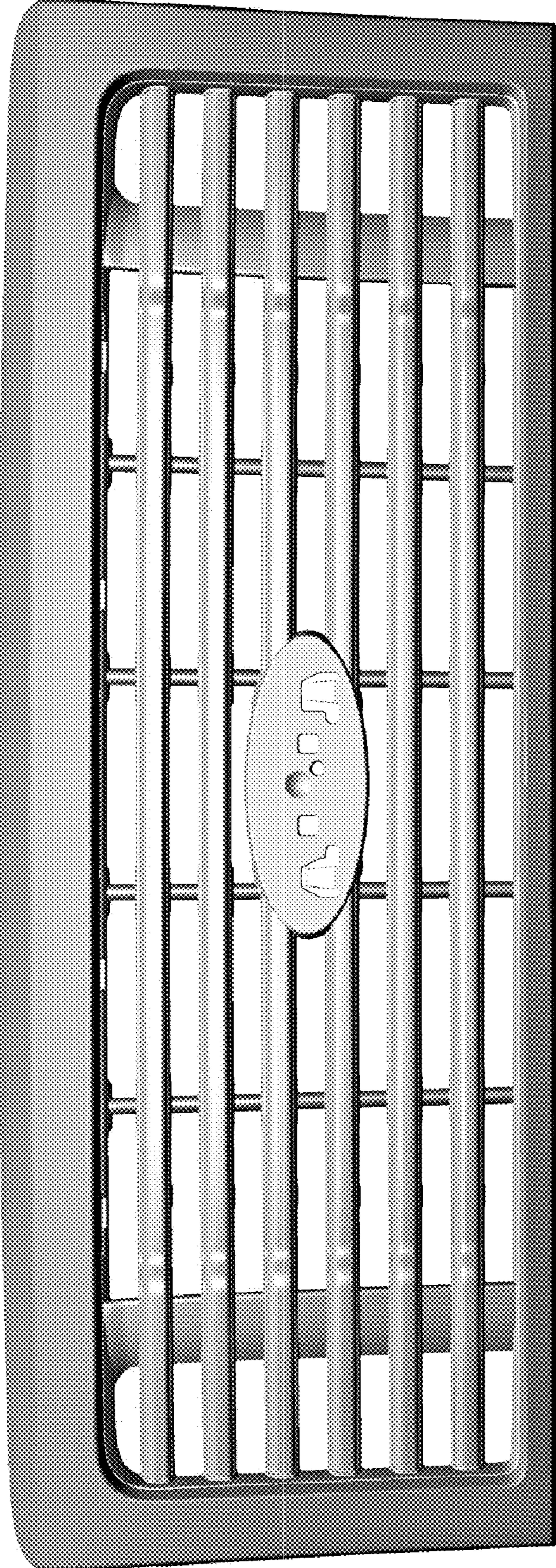


Figure 1

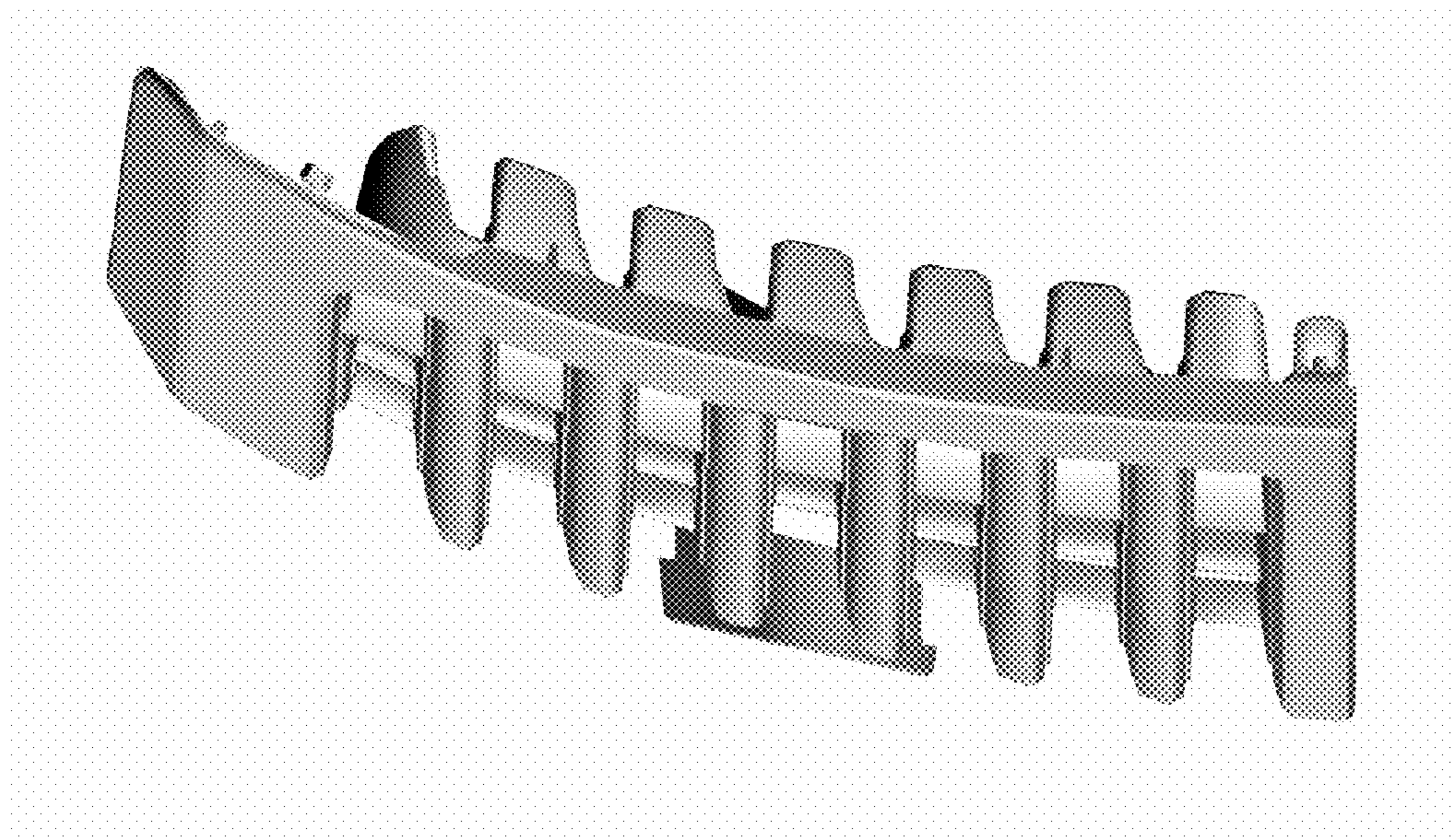


Figure 3

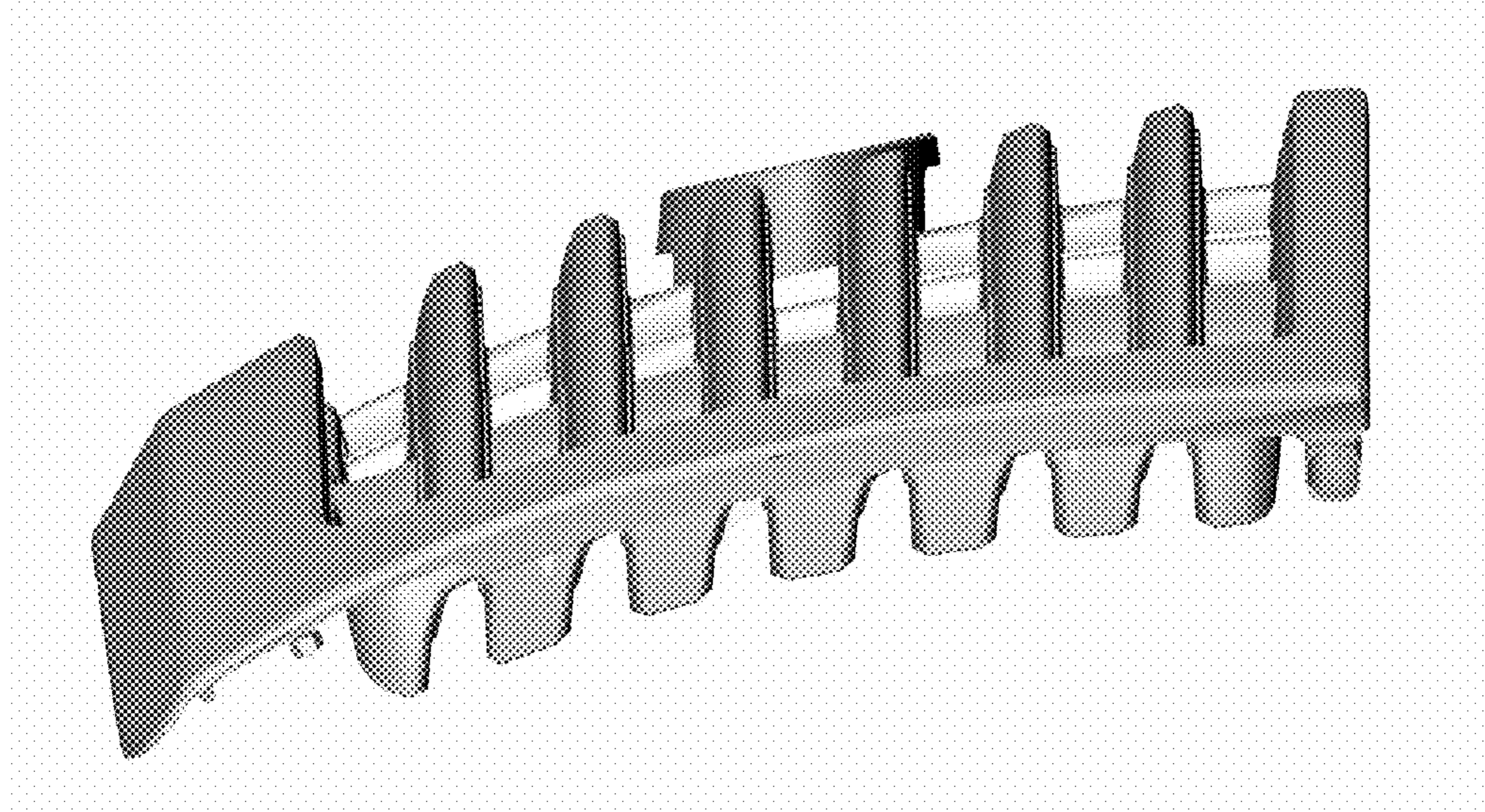


Figure 2

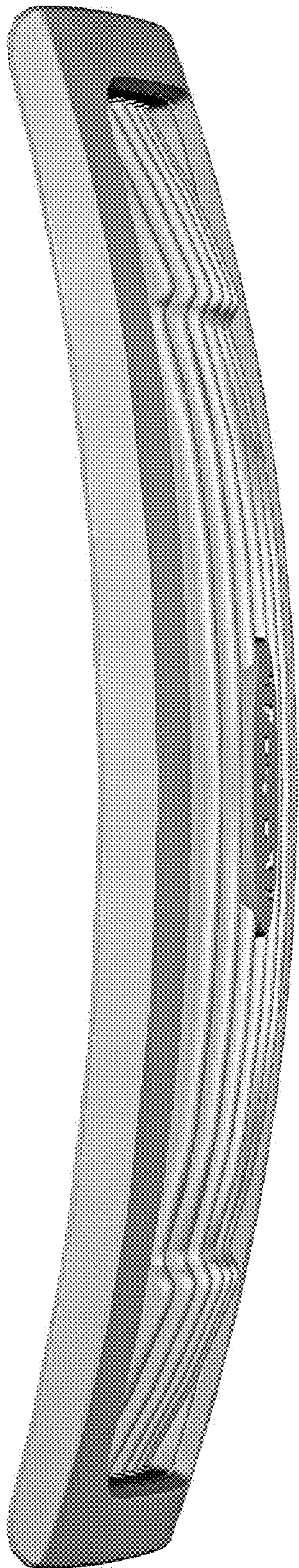


Figure 4

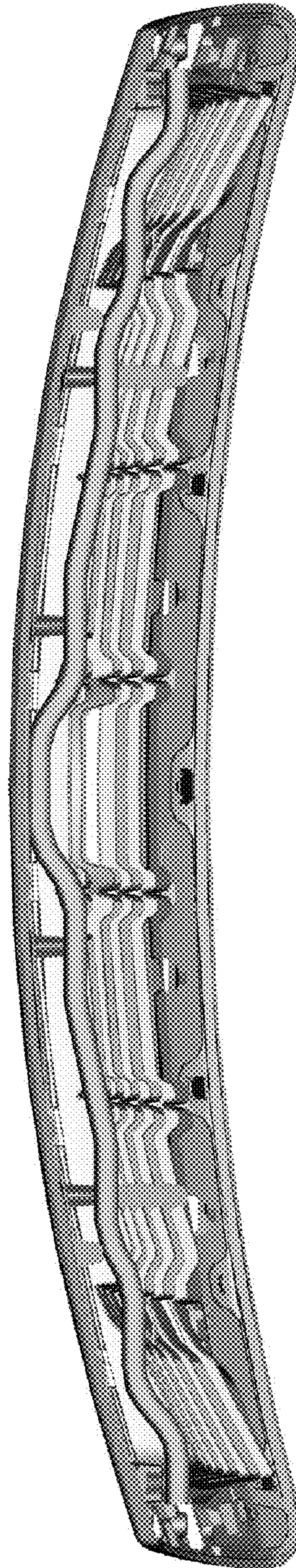


Figure 5

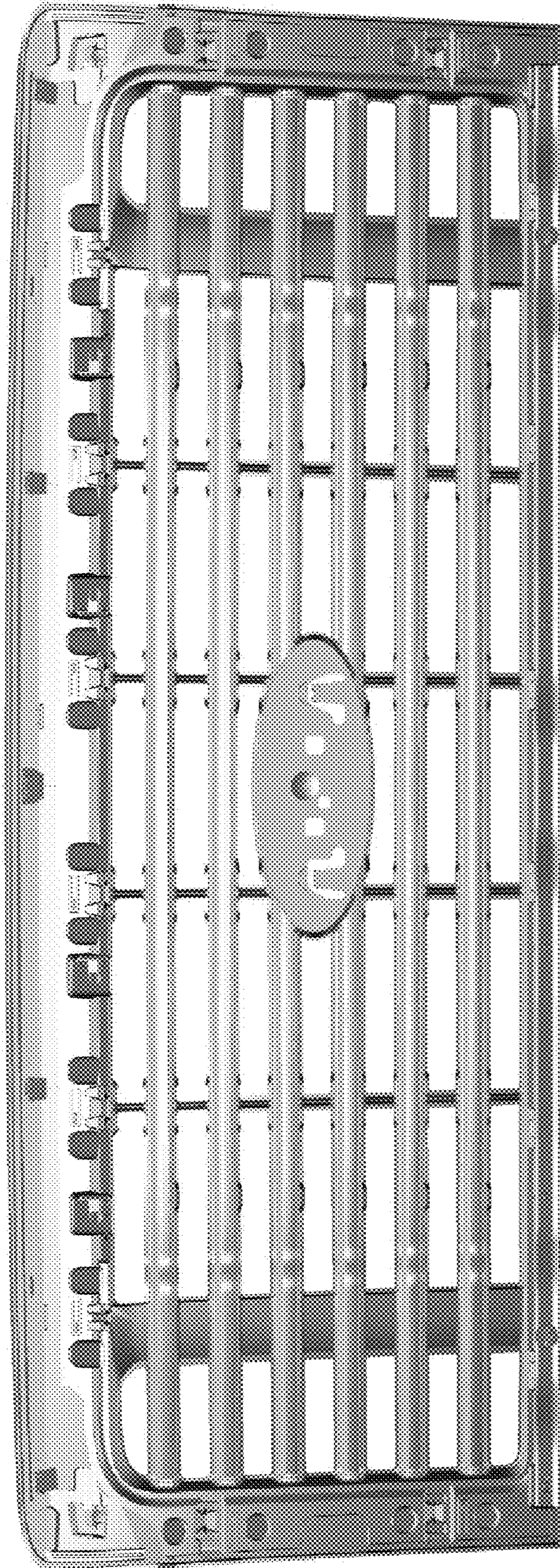


Figure 6