



US00D606458S

(12) **United States Design Patent**
Chen

(10) **Patent No.:** **US D606,458 S**

(45) **Date of Patent:** **** Dec. 22, 2009**

(54) **PEDAL**

(76) Inventor: **Chung-I Chen**, No. 3, Kung Chi Rd.,
Youth Ind. Park, Tachia, Taichung Hsien
(TW)

(**) Term: **14 Years**

(21) Appl. No.: **29/330,469**

(22) Filed: **Jan. 8, 2009**

(51) **LOC (9) Cl.** **12-11**

(52) **U.S. Cl.** **D12/125**

(58) **Field of Classification Search** D12/125,
D12/122, 111; 74/591.1-594.3, 594.4-594.7
See application file for complete search history.

(56) **References Cited**

U.S. PATENT DOCUMENTS

5,586,472 A * 12/1996 Lin 74/594.1
2009/0100961 A1* 4/2009 Hu 74/560

OTHER PUBLICATIONS

Performance Bicycle Summer 2000 catalog, Performance® ATB
Comp Pedal on p. 66.*

Bike nashbar 2002 Summer catalog No. 169, Nashbar ATB Pedal on
p. 37.*

Excel Catalog #61, © 2002, Dimension Flats pedal on p. 37.*

* cited by examiner

Primary Examiner—Robin V Webster
Assistant Examiner—Linda G. Brooks

(57) **CLAIM**

The ornamental design for a pedal, as shown and described.

DESCRIPTION

FIG. 1 is a perspective view of a pedal showing my new design;

FIG. 2 is a front elevational view thereof;

FIG. 3 is a rear elevational view thereof;

FIG. 4 is a right side elevational view thereof, wherein the broken lines illustrate environmental structure that forms no part of the claimed design.

FIG. 5 is a left side view thereof;

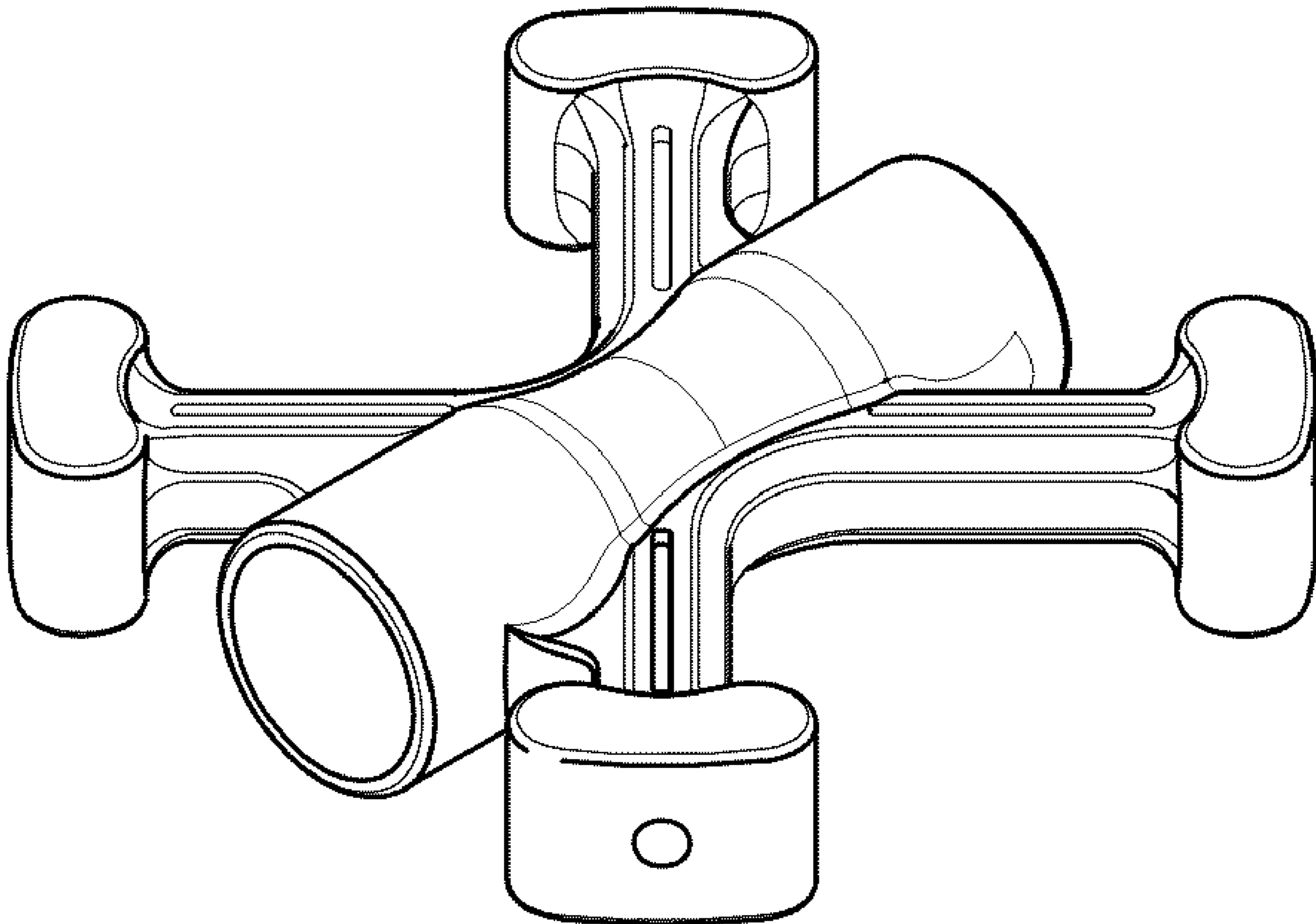
FIG. 6 is a top plan view thereof;

FIG. 7 is a bottom plan view thereof;

FIG. 8 is a view showing the pedal in a position of use, wherein the broken lines illustrate environmental structure that forms no part of the claimed design; and,

FIG. 9 is another view showing the pedal in a position of use, wherein the broken lines illustrate different environmental structure that forms no part of the claimed design.

1 Claim, 6 Drawing Sheets



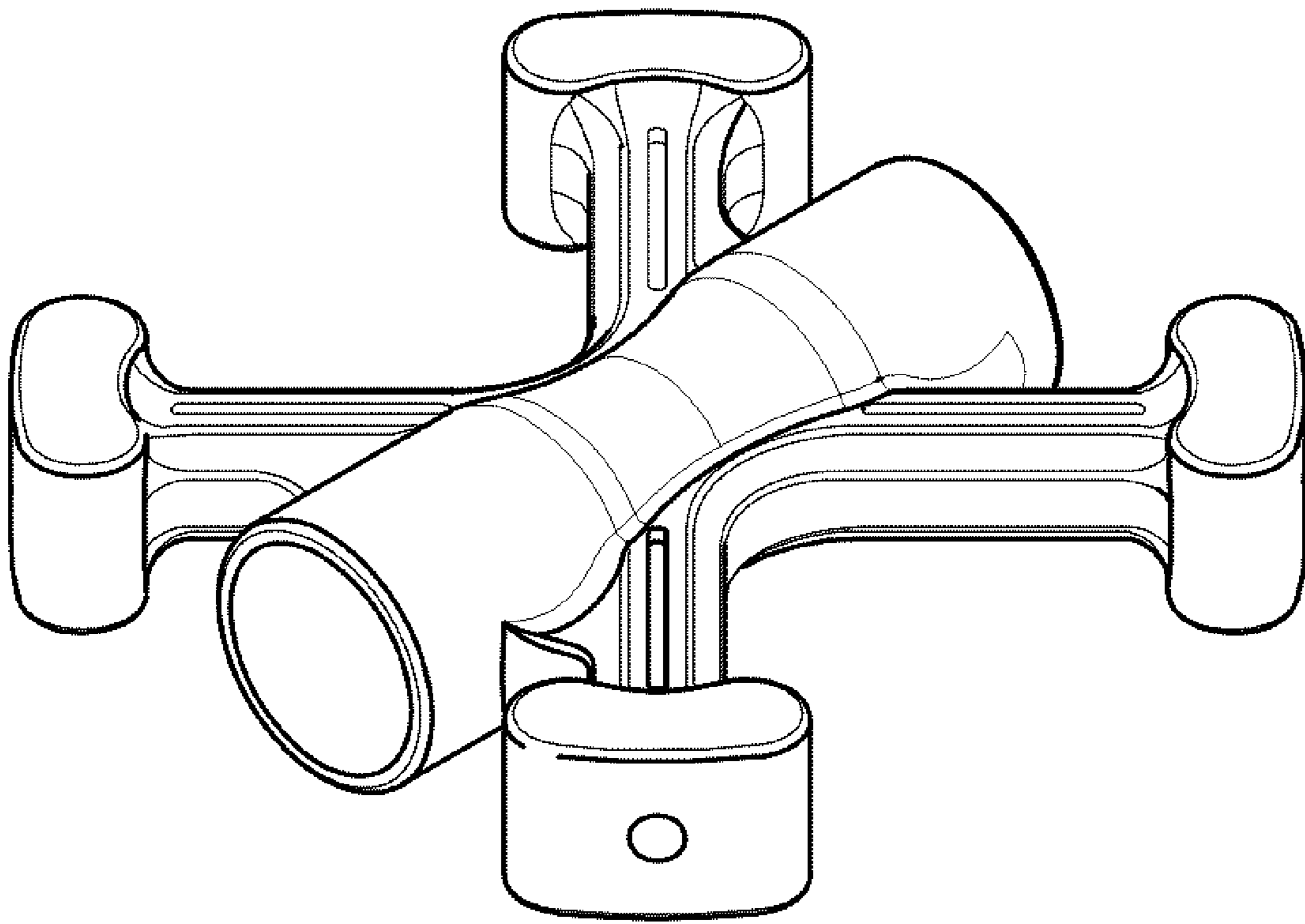


FIG. 1

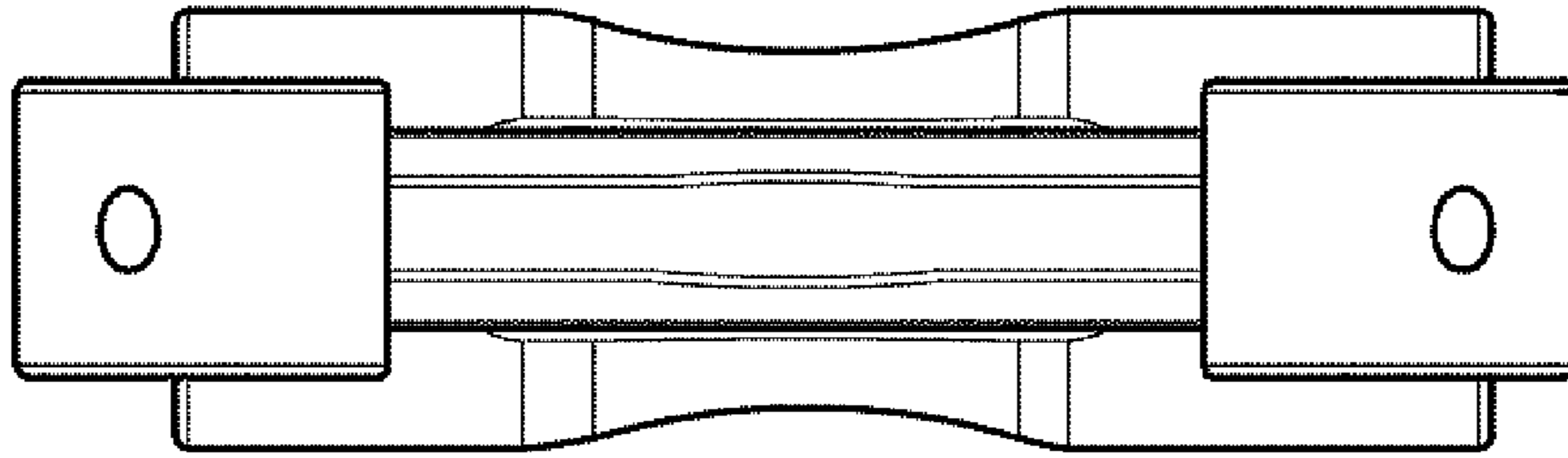


FIG. 2

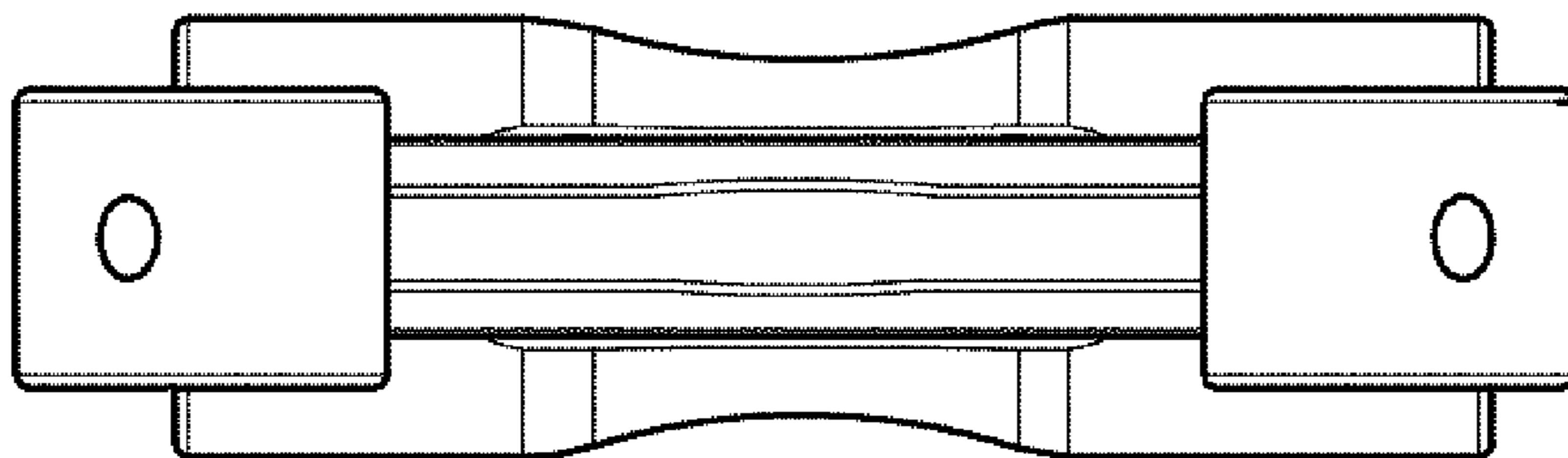


FIG. 3

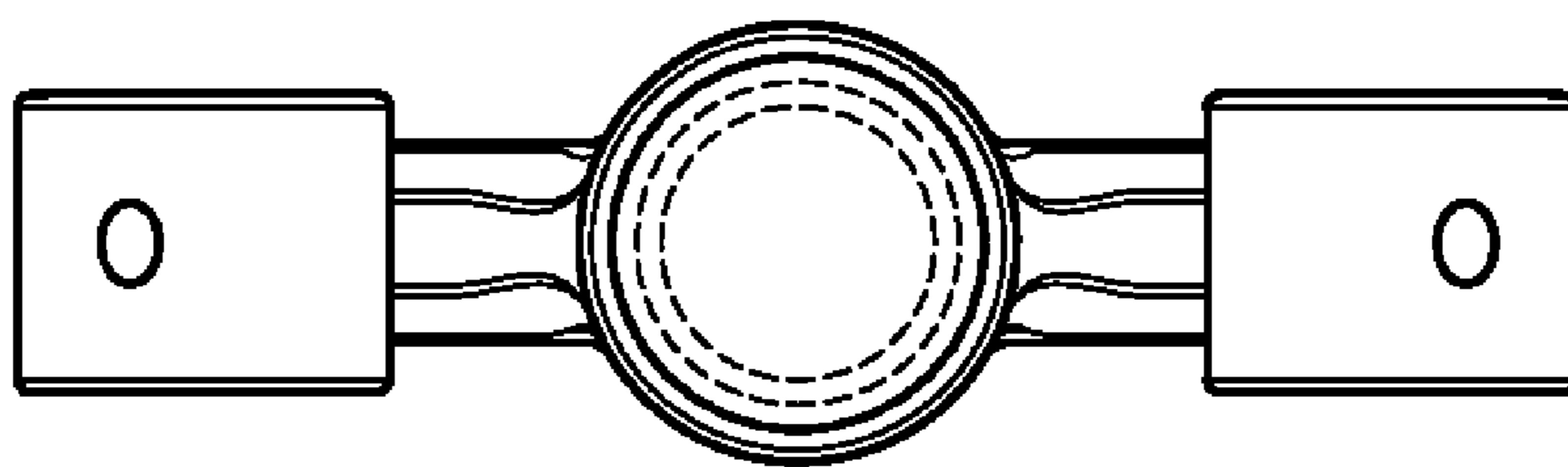


FIG. 4

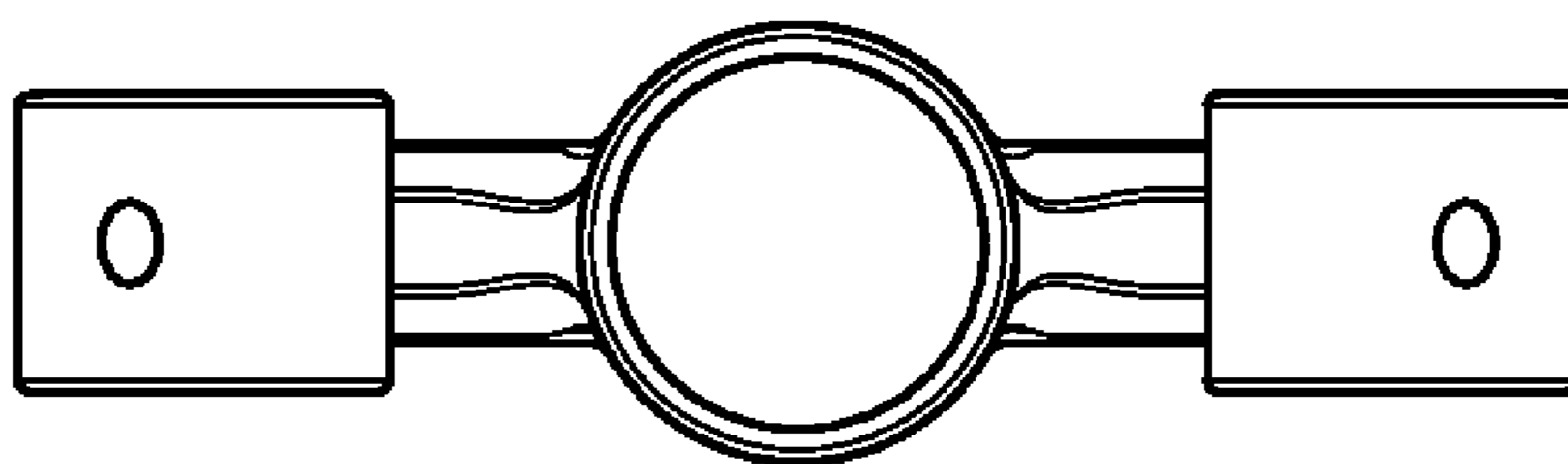


FIG. 5

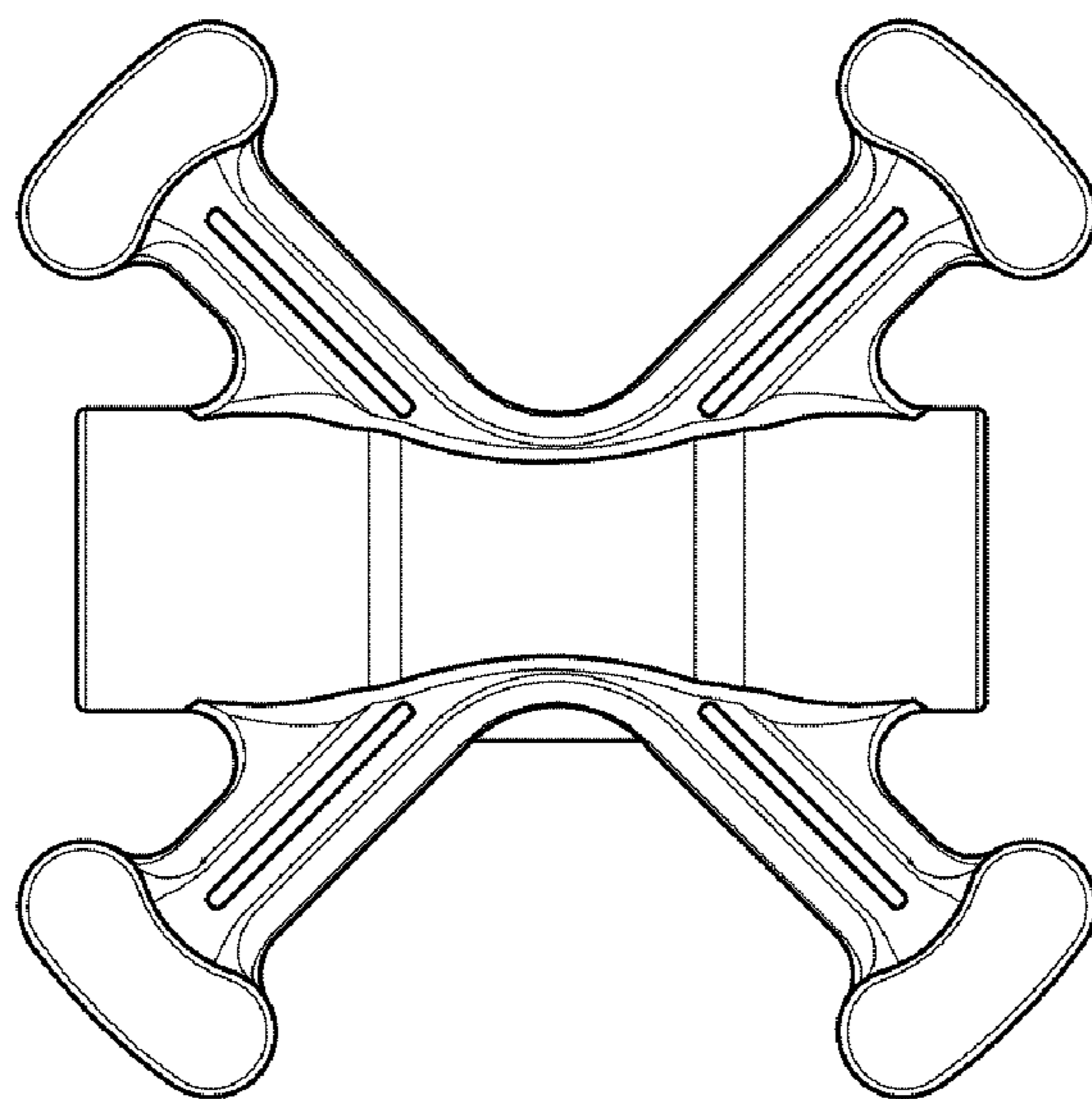


FIG. 6

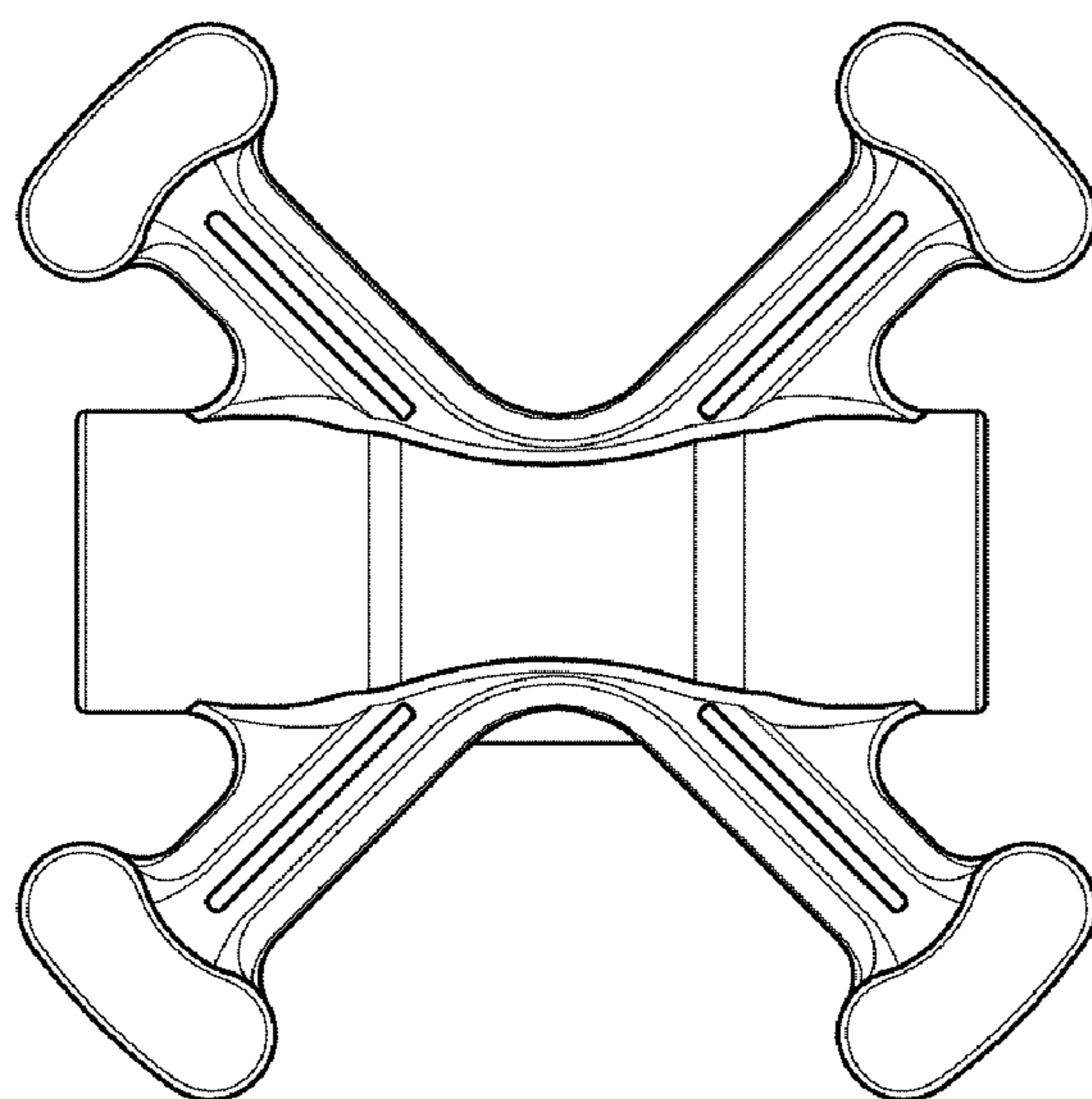


FIG. 7

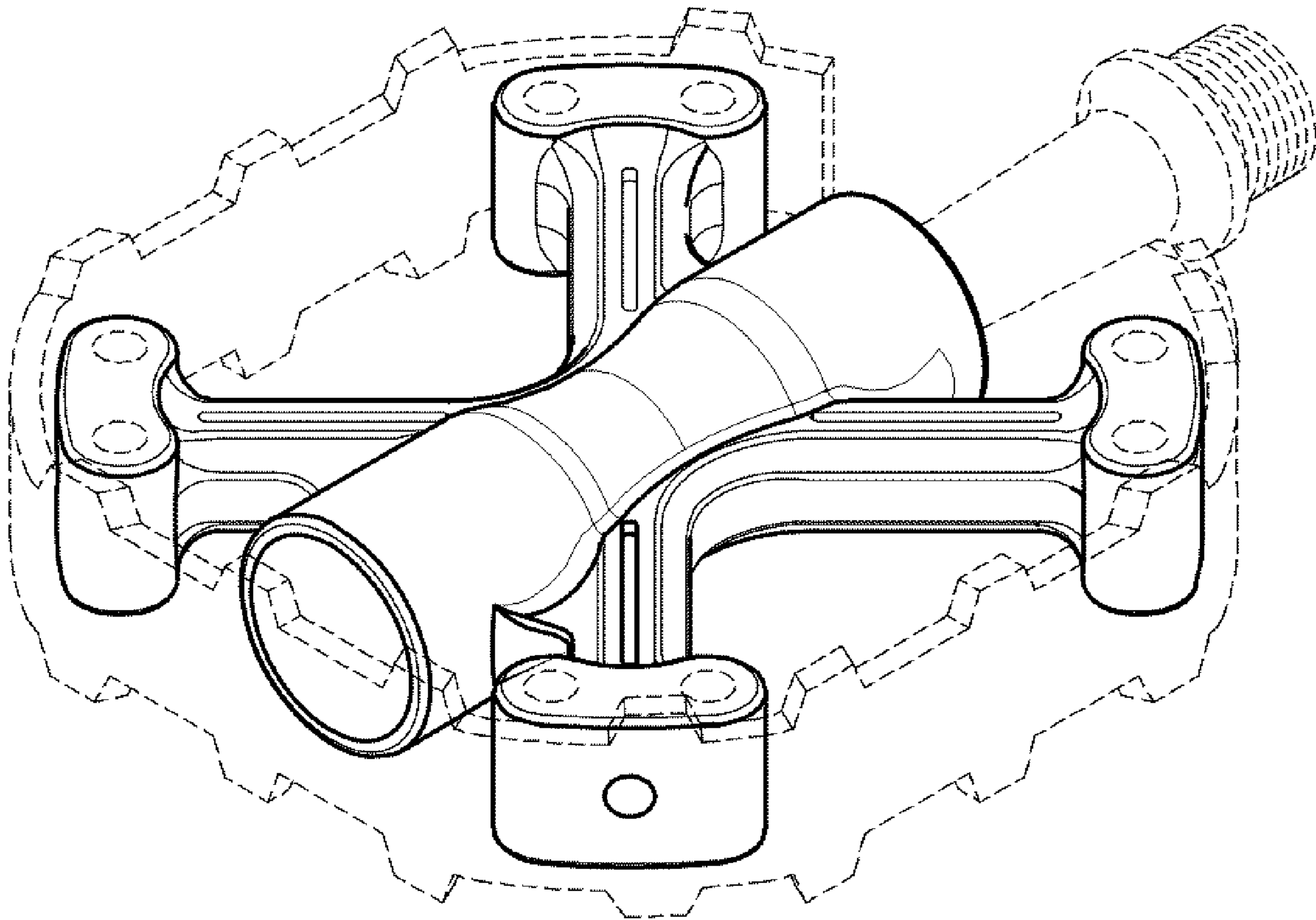


FIG. 8

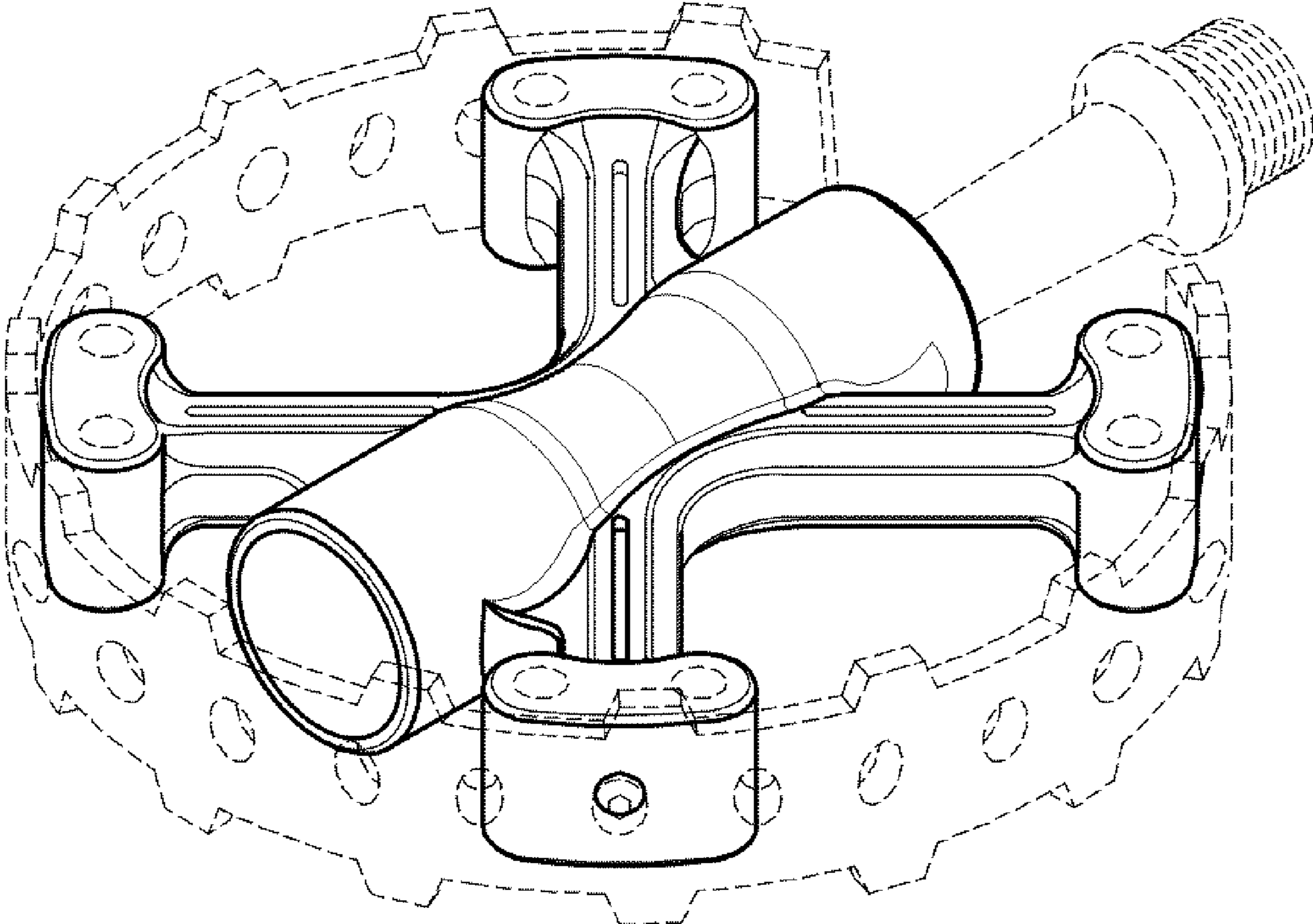


FIG. 9