



US00D606453S

(12) **United States Design Patent**  
**White**

(10) **Patent No.:** **US D606,453 S**

(45) **Date of Patent:** **\*\* Dec. 22, 2009**

(54) **PLANTER**

(76) **Inventor:** **Scott White**, 83 Durie Street, Toronto,  
Ontario (CA) M6S 3E7

(\*\*) **Term:** **14 Years**

(21) **Appl. No.:** **29/311,557**

(22) **Filed:** **Apr. 20, 2009**

(51) **LOC (9) Cl.** ..... **11-02**

(52) **U.S. Cl.** ..... **D11/153**

(58) **Field of Classification Search** ..... D6/556-558;  
D8/1; D11/143-156; D19/77, 80, 81; D26/9,  
D26/16; D34/1, 2, 4-6; D99/5, 19; 47/33,  
47/41.01, 41.1, 41.11-41.15, 65.5, 66.6,  
47/66.7, 67, 71

See application file for complete search history.

(56) **References Cited**

**U.S. PATENT DOCUMENTS**

|           |     |         |         |       |         |
|-----------|-----|---------|---------|-------|---------|
| 3,229,886 | A * | 1/1966  | Grogel  | ..... | 220/608 |
| D307,395  | S * | 4/1990  | Borst   | ..... | D7/587  |
| D352,479  | S * | 11/1994 | Carlson | ..... | D11/153 |
| D393,817  | S * | 4/1998  | Folley  | ..... | D11/153 |
| D461,742  | S * | 8/2002  | Carlson | ..... | D11/152 |

|          |     |         |               |       |         |
|----------|-----|---------|---------------|-------|---------|
| D571,688 | S * | 6/2008  | White         | ..... | D11/155 |
| D572,168 | S * | 7/2008  | Kurtz         | ..... | D11/152 |
| D578,929 | S * | 10/2008 | White         | ..... | D11/155 |
| D591,591 | S * | 5/2009  | Moecks et al. | ..... | D9/428  |

\* cited by examiner

*Primary Examiner*—Caron Veynar

*Assistant Examiner*—Garth Rademaker

(74) *Attorney, Agent, or Firm*—Riches, McKenzie & Herbe  
LLP

(57) **CLAIM**

The ornamental design for a planter, as shown.

**DESCRIPTION**

FIG. 1—is a perspective view of a planter showing my new design;

FIG. 2—is a top plan view thereof;

FIG. 3—is a bottom plan view thereof;

FIG. 4—is a front elevation view thereof; and,

FIG. 5—is a right side elevation view thereof.

The broken lines depict environmental subject matter only and form no part of the claimed design.

**1 Claim, 3 Drawing Sheets**

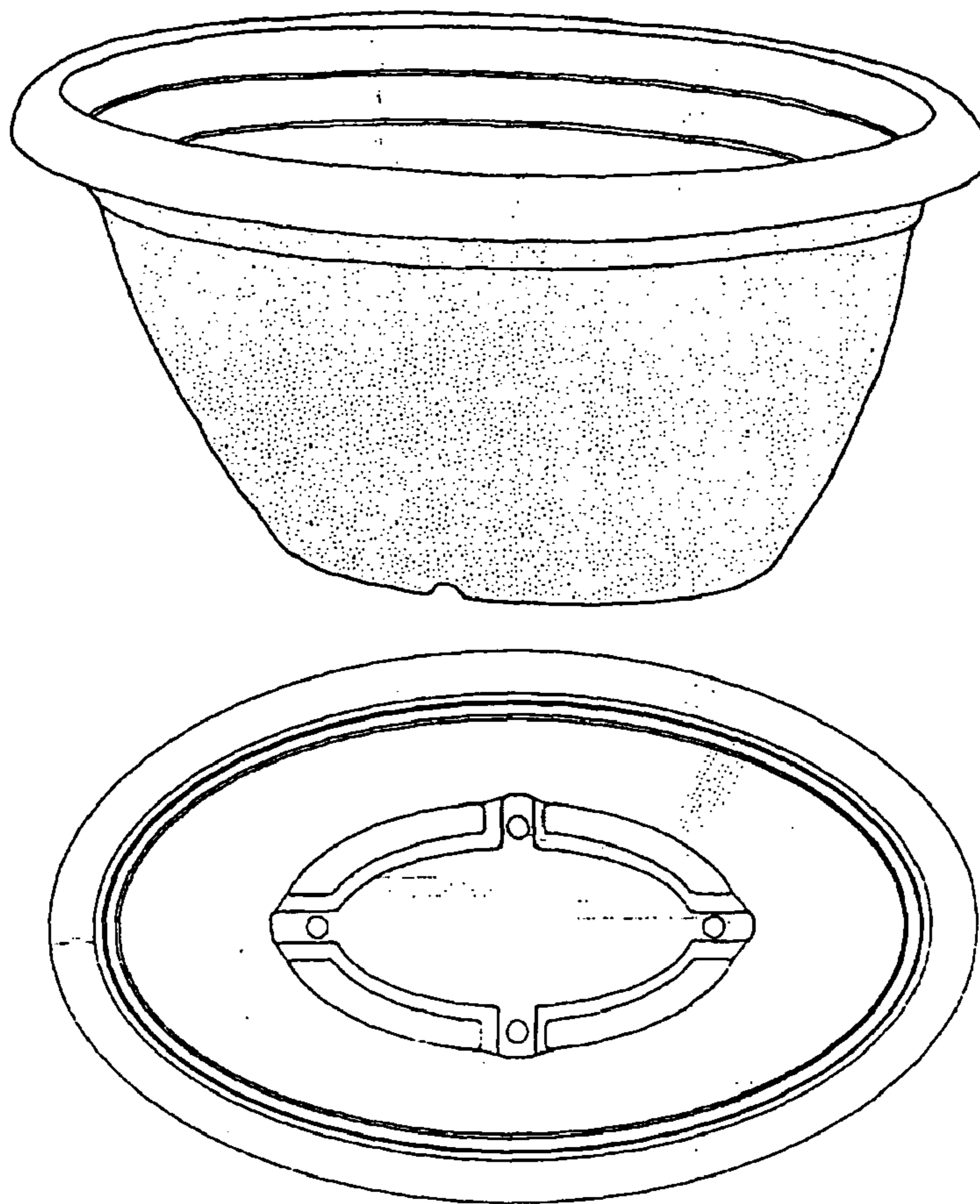


FIGURE 1

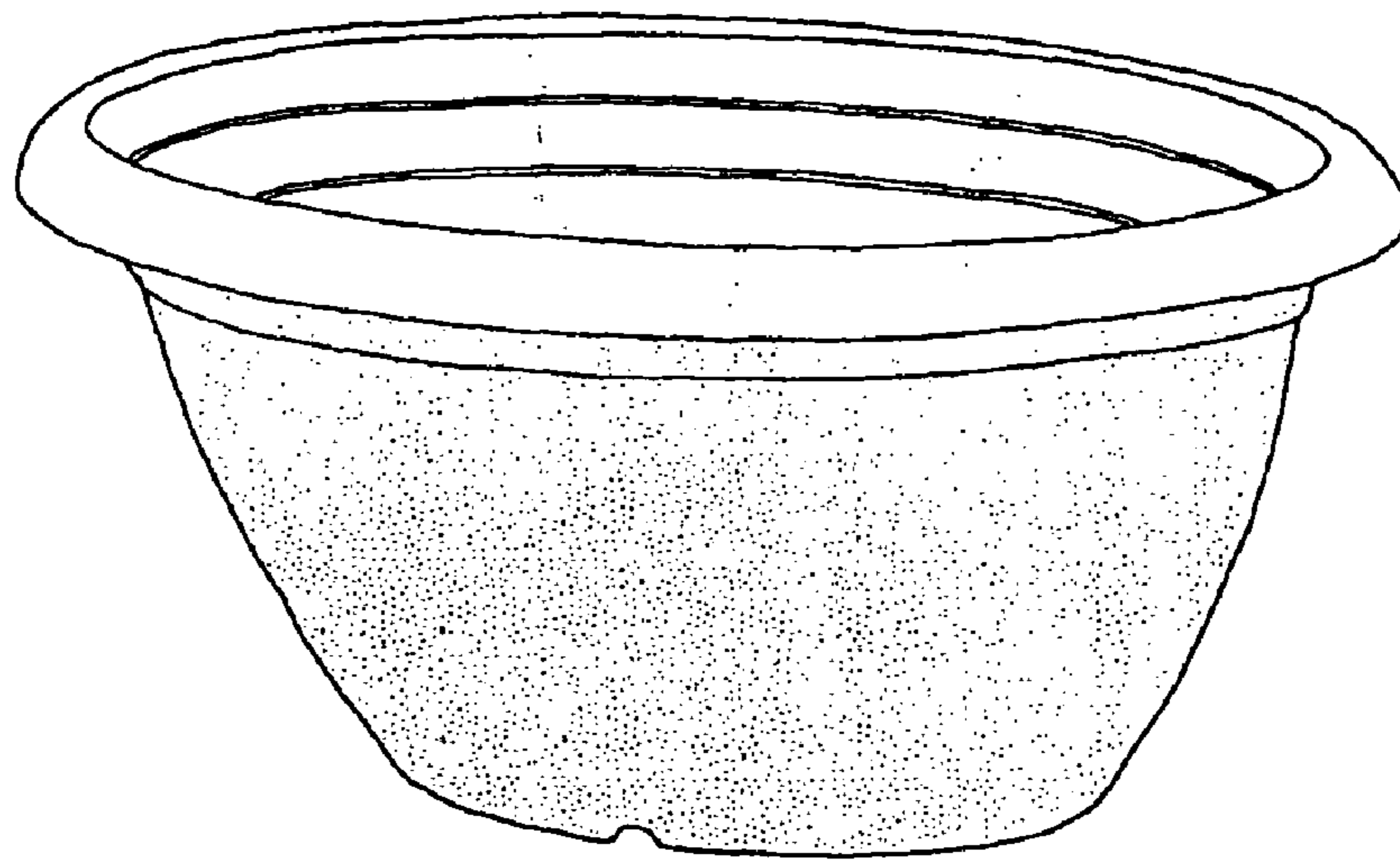


FIGURE 2

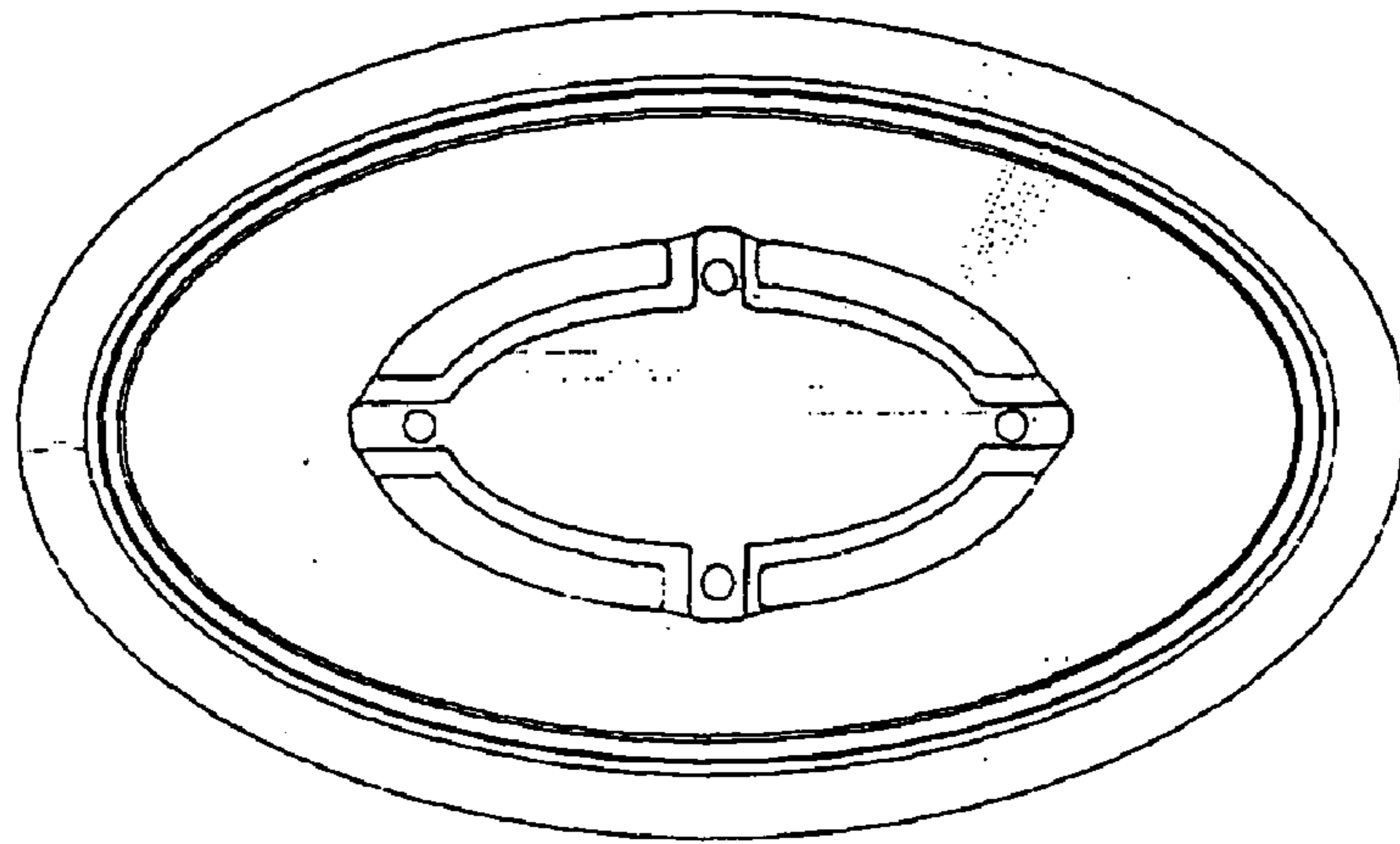


FIGURE 3

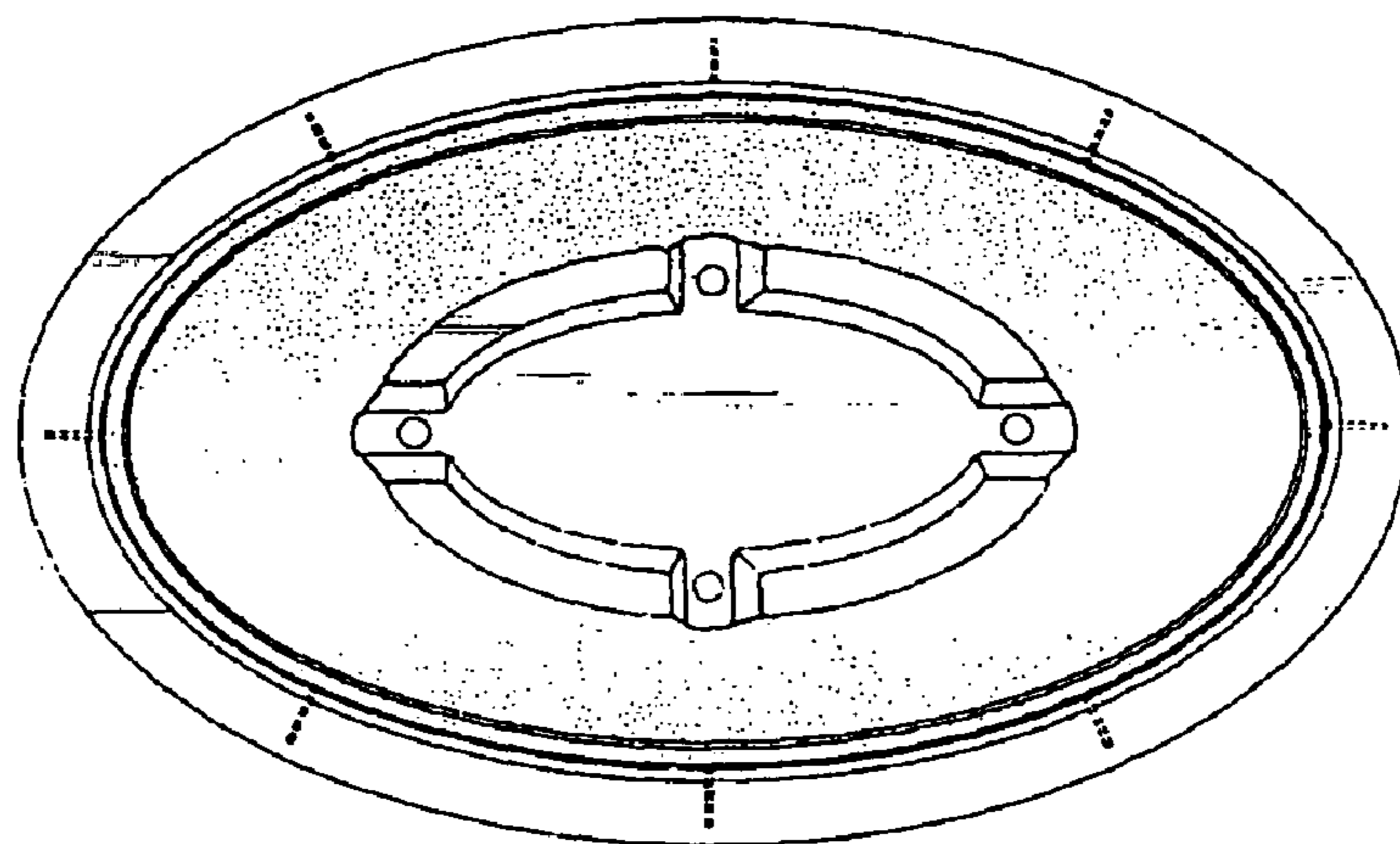


Figure 4

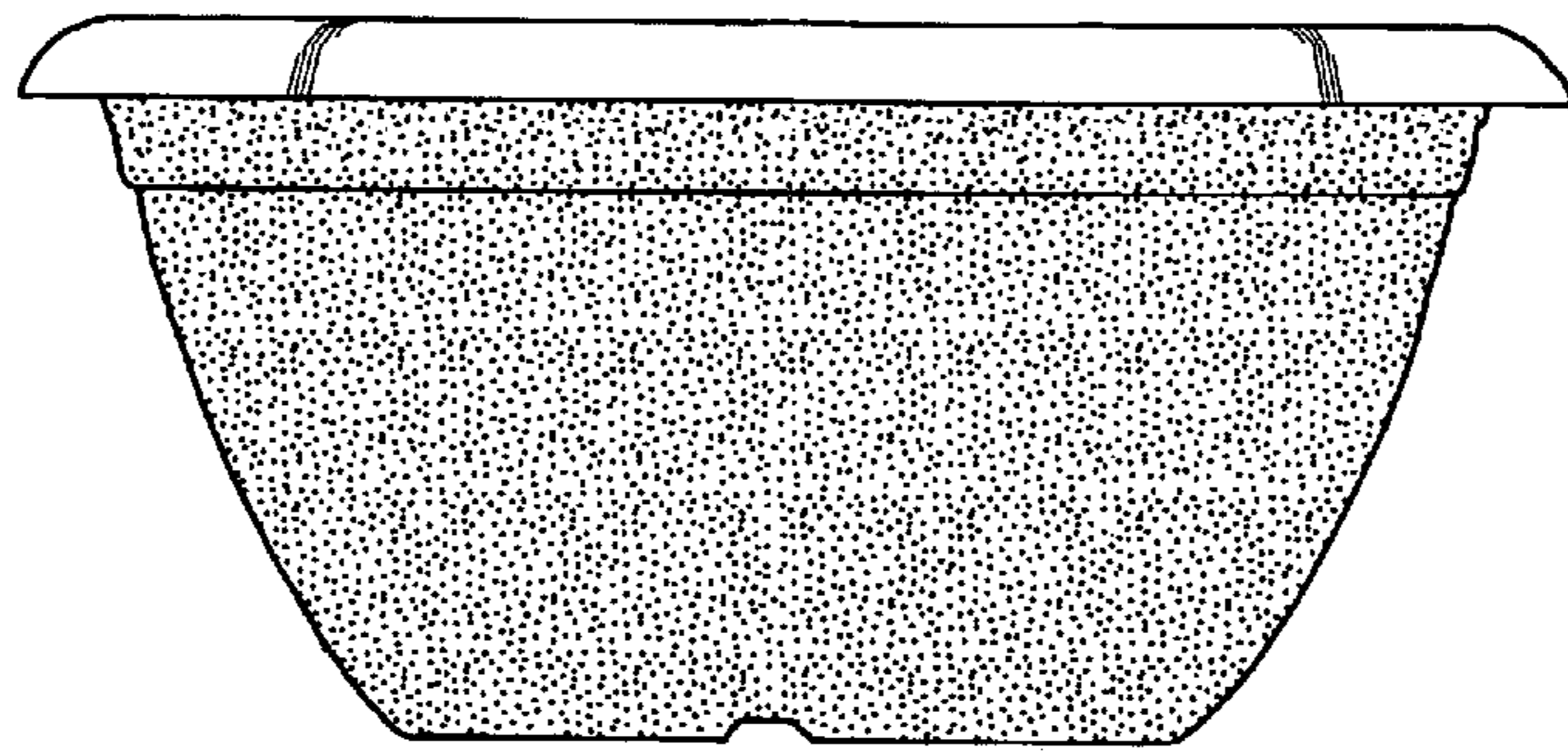


Figure 5

