



US00D606452S

(12) **United States Design Patent**  
**White**

(10) **Patent No.:** **US D606,452 S**

(45) **Date of Patent:** **\*\* Dec. 22, 2009**

(54) **PLANTER**

(76) **Inventor:** **Scott White**, 83 Durie Street, Toronto,  
Ontario (CA) M6S 3E7

(\*\*) **Term:** **14 Years**

(21) **Appl. No.:** **29/311,545**

(22) **Filed:** **Apr. 20, 2009**

(51) **LOC (9) Cl.** ..... **11-02**

(52) **U.S. Cl.** ..... **D11/153**

(58) **Field of Classification Search** ..... D6/556-558;  
D8/1; D11/143-156; D19/77, 80, 81; D26/9,  
D26/16; D34/1, 2, 4-6; D99/5, 19; 47/33,  
47/41.01, 41.1, 41.11-41.15, 65.5, 66.6,  
47/66.7, 67, 71

See application file for complete search history.

(56) **References Cited**

**U.S. PATENT DOCUMENTS**

D369,120 S *	4/1996	Deslen .....	D11/143
D393,817 S *	4/1998	Folley .....	D11/153
D461,742 S *	8/2002	Carlson .....	D11/152
D478,531 S *	8/2003	Abbud et al. ....	D11/152
D571,688 S *	6/2008	White .....	D11/155

D572,168 S *	7/2008	Kurtz .....	D11/152
D577,630 S *	9/2008	Schmidt .....	D11/152
D578,929 S *	10/2008	White .....	D11/155
2006/0032132 A1 *	2/2006	Liffers et al. ....	47/71

\* cited by examiner

*Primary Examiner*—Caron Veynar

*Assistant Examiner*—Garth Rademaker

(74) *Attorney, Agent, or Firm*—Riches, McKenzie & Herbert  
LLP

(57) **CLAIM**

The ornamental design for a planter, as shown.

**DESCRIPTION**

FIG. 1—is a perspective view of a planter showing my new design;

FIG. 2—is a top plan view thereof;

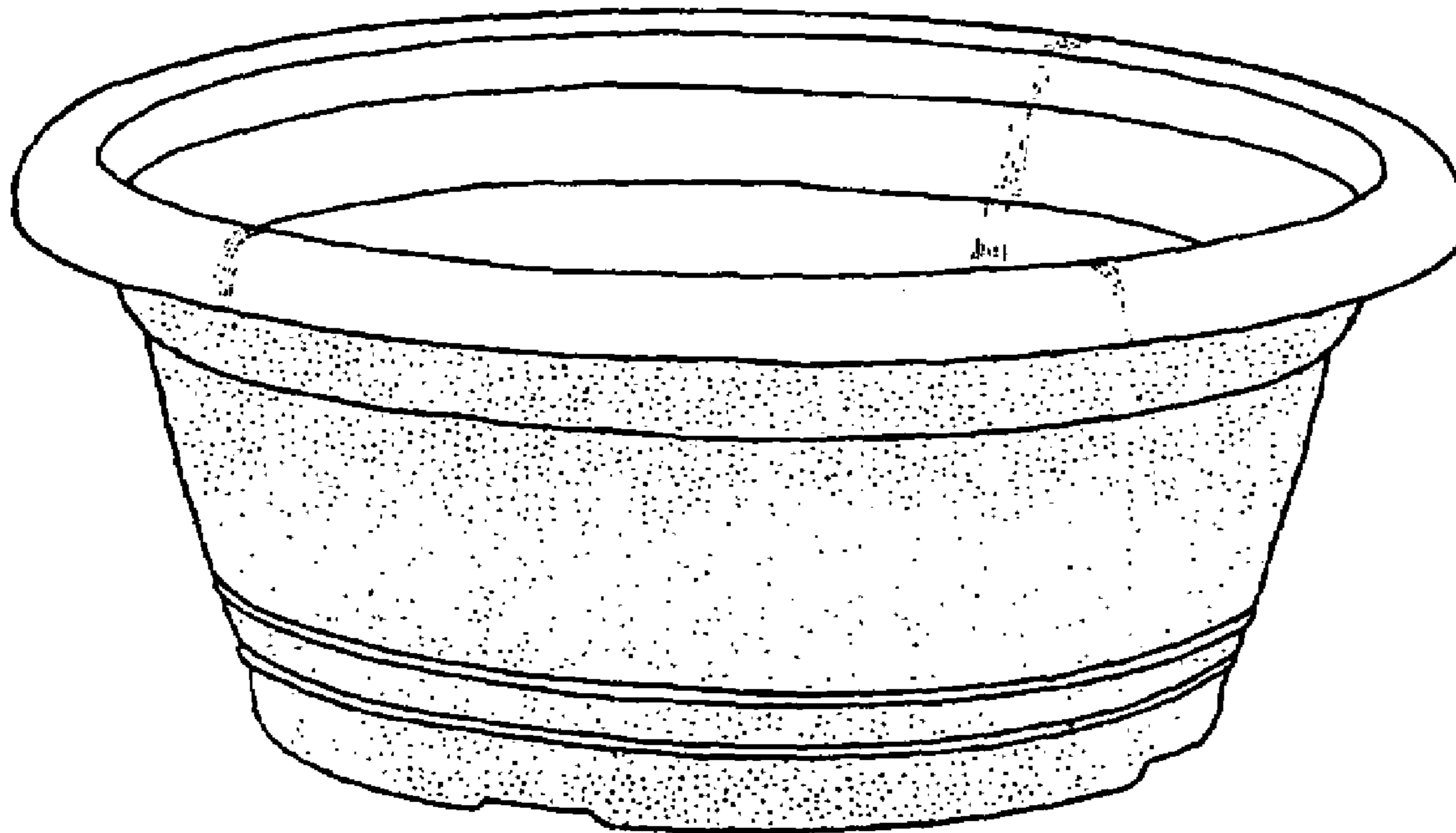
FIG. 3—is a bottom plan view thereof;

FIG. 4—is a left side elevation view thereof; and,

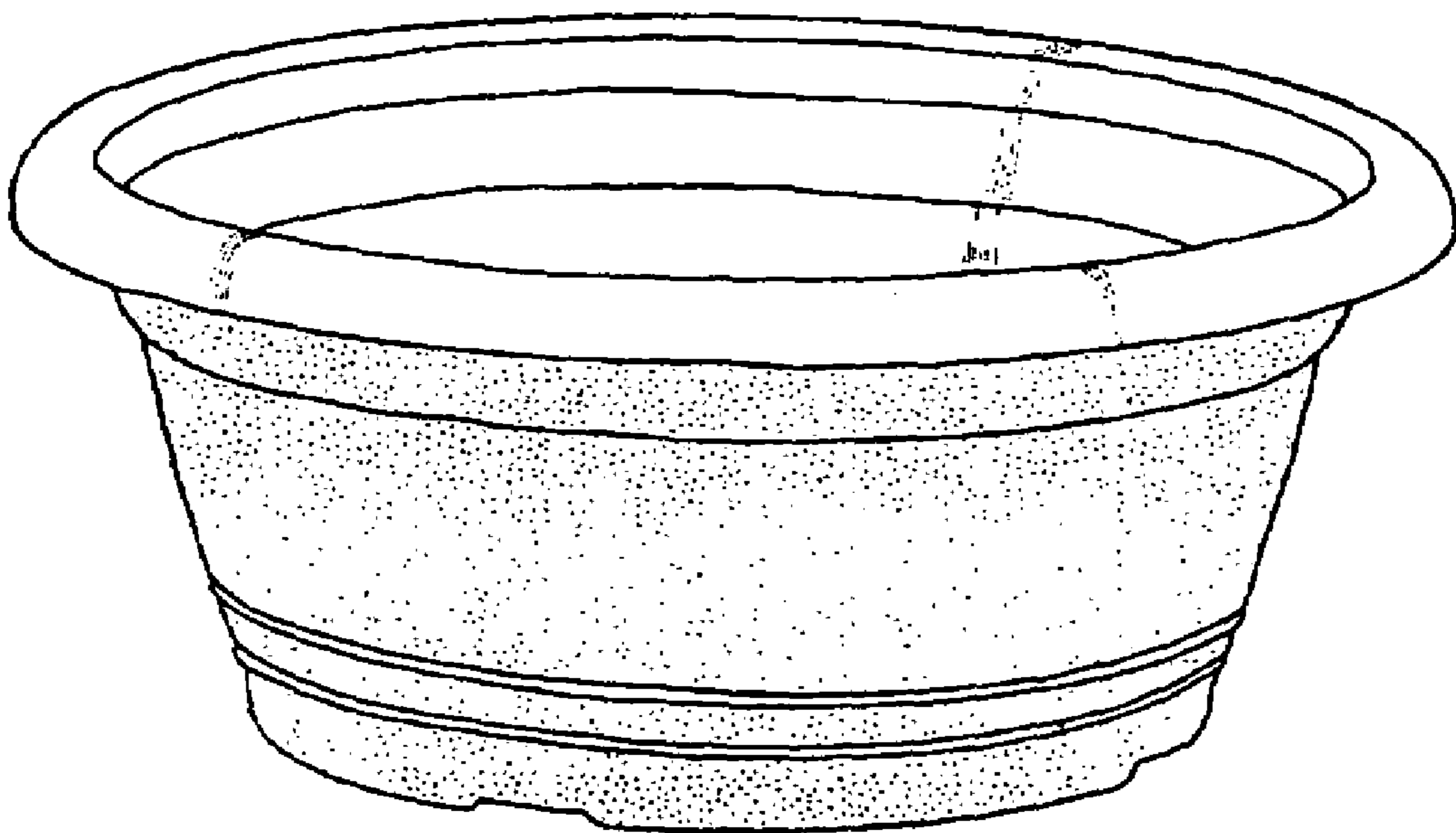
FIG. 5—is a right side elevation view thereof.

The broken lines depict environmental subject matter only and form no part of the claimed design.

**1 Claim, 4 Drawing Sheets**



**FIGURE 1**



**FIGURE 2**

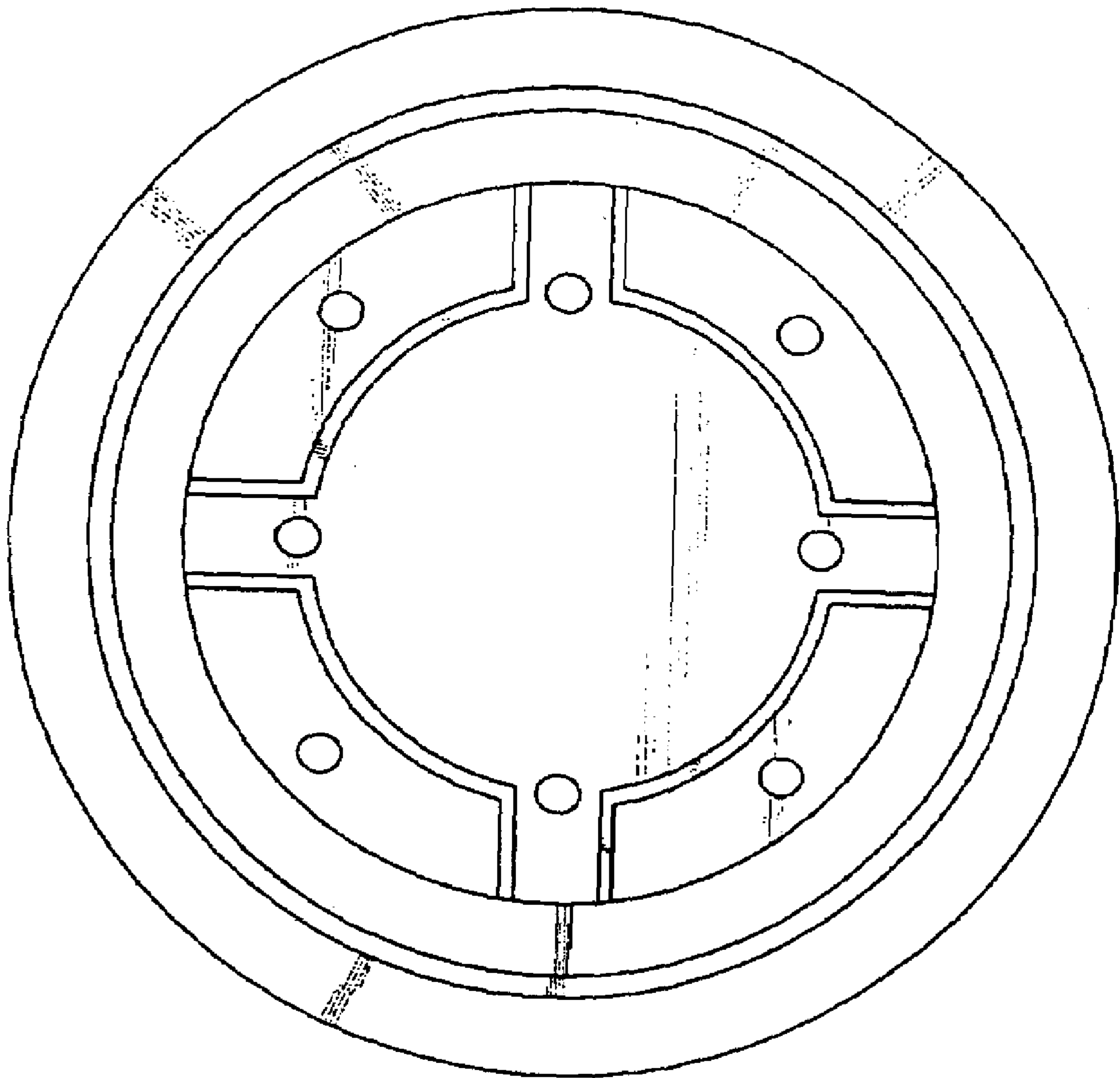
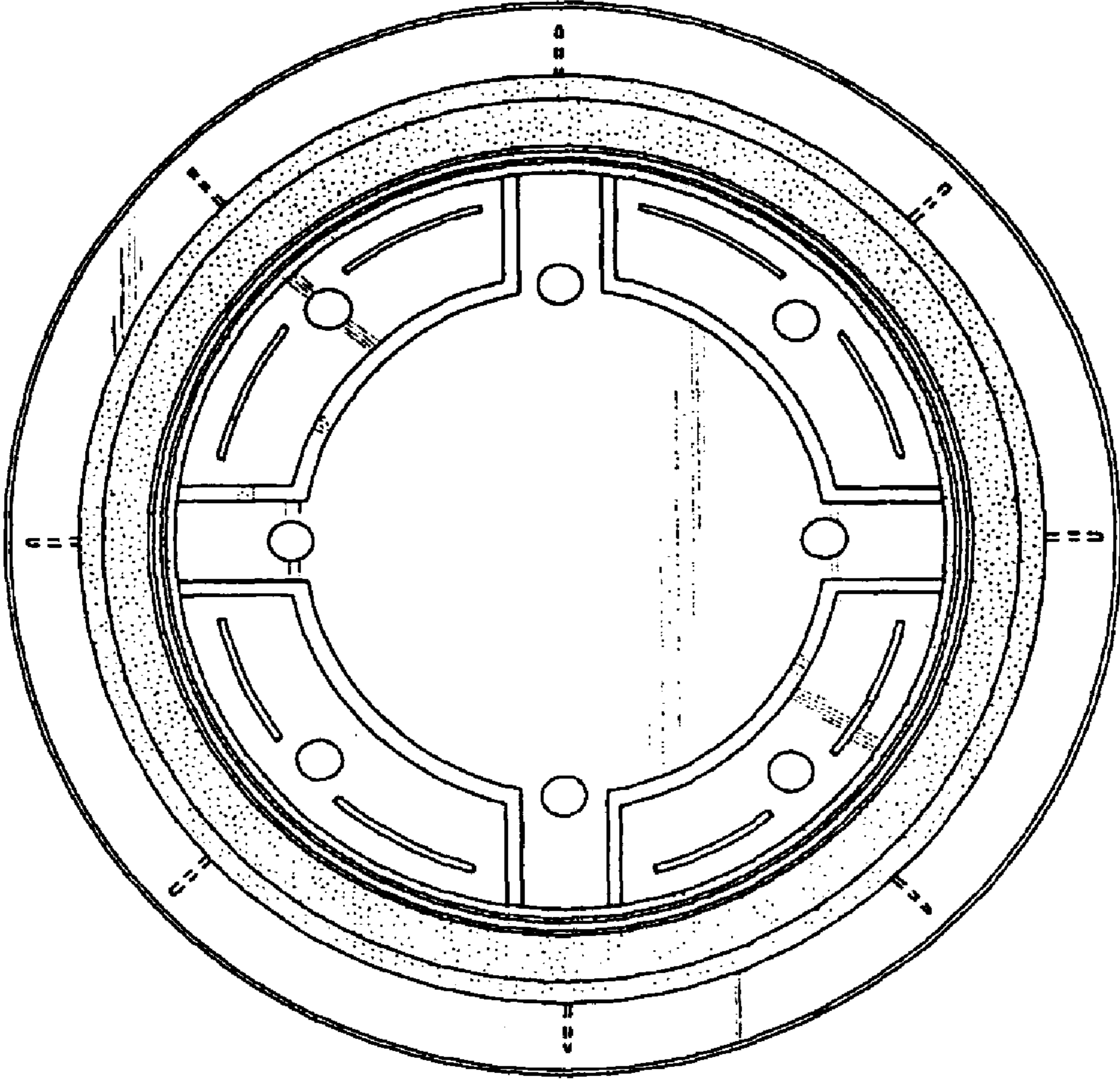
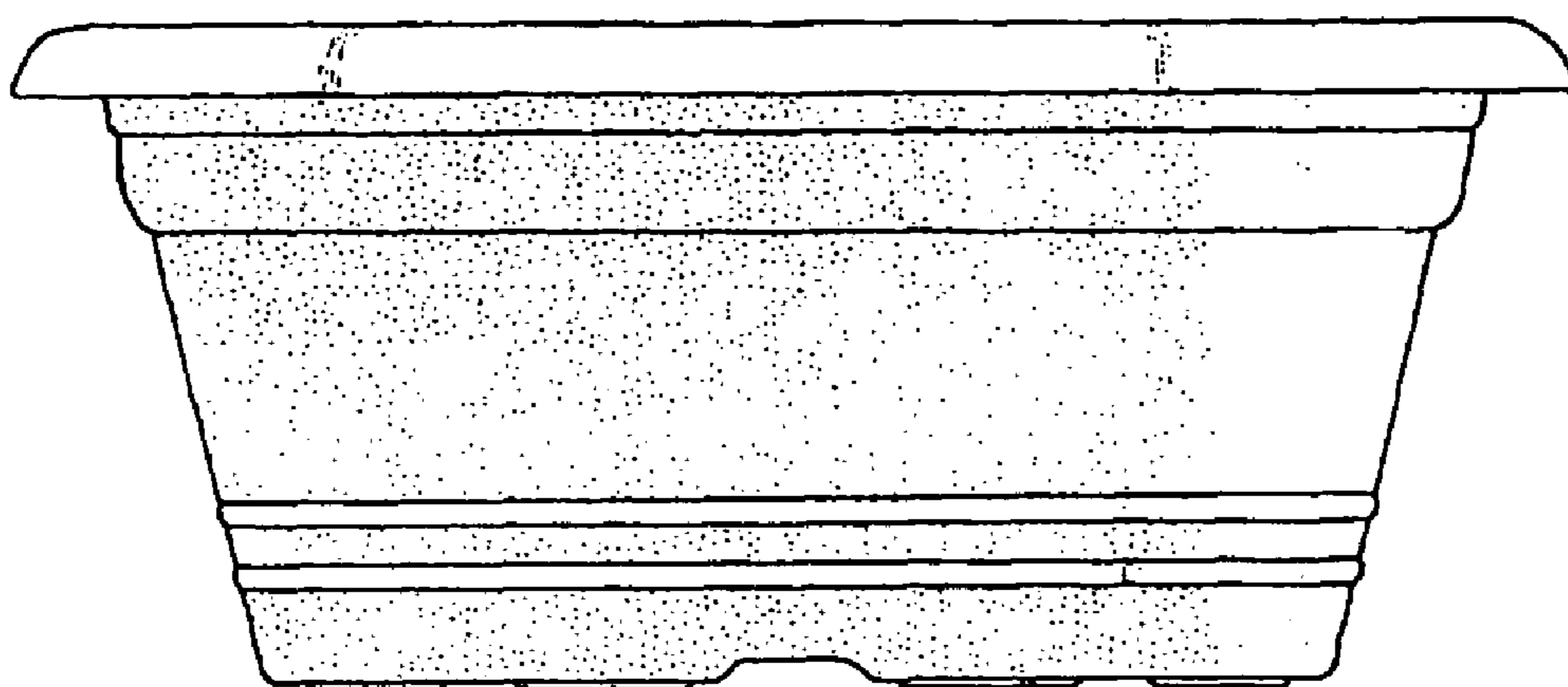


FIGURE 3



**FIGURE 4**



**FIGURE 5**

