



US00D606451S

(12) **United States Design Patent**
Kertz

(10) **Patent No.:** **US D606,451 S**

(45) **Date of Patent:** **** Dec. 22, 2009**

(54) **PLANT ACCLIMATIZING BOX**

(76) **Inventor:** **Malcolm Glen Kertz**, 401 W. Vinton Rd., Anthony, TX (US) 79821

(**) **Term:** **14 Years**

(21) **Appl. No.:** **29/338,579**

(22) **Filed:** **Jun. 15, 2009**

Related U.S. Application Data

(62) Division of application No. 29/321,473, filed on Jul. 17, 2008, now Pat. No. Des. 596,527.

(51) **LOC (9) Cl.** **11-02**

(52) **U.S. Cl.** **D11/145**

(58) **Field of Classification Search** D6/556-558; D8/1; D11/143-156; D19/77, 81; D26/9-11; D34/1, 2, 4-6; D99/5, 19; 47/32.4, 32.5, 47/32.7, 33, 41.01, 41.1, 41.11-41.15, 44-47, 47/65, 65.5, 65.9, 68-71

See application file for complete search history.

(56) **References Cited**

U.S. PATENT DOCUMENTS

3,082,575	A *	3/1963	Schulz	D11/156
3,121,975	A *	2/1964	Duhamel	47/69
D245,241	S *	8/1977	Robinson	D11/155
4,407,092	A *	10/1983	Ware	D11/143
D357,627	S *	4/1995	Angeles et al.	D11/143

D381,600	S *	7/1997	Yurkovic	D11/143
D385,507	S *	10/1997	Hulsebus	D11/156
D446,157	S *	8/2001	Glenn	D11/156
D537,753	S *	3/2007	Belokin	D11/145
D596,527	S *	7/2009	Kertz	D11/145

* cited by examiner

Primary Examiner—Caron Veynar

Assistant Examiner—Garth Rademaker

(74) *Attorney, Agent, or Firm*—Conley Rose, P.C.

(57) **CLAIM**

The ornamental design for a plant acclimatizing box, as shown and described.

DESCRIPTION

FIG. 1 is a perspective view of a plant acclimatizing box;

FIG. 2 is a front side elevation view thereof;

FIG. 3 is a back side elevation view thereof;

FIG. 4 is a right side elevation view thereof;

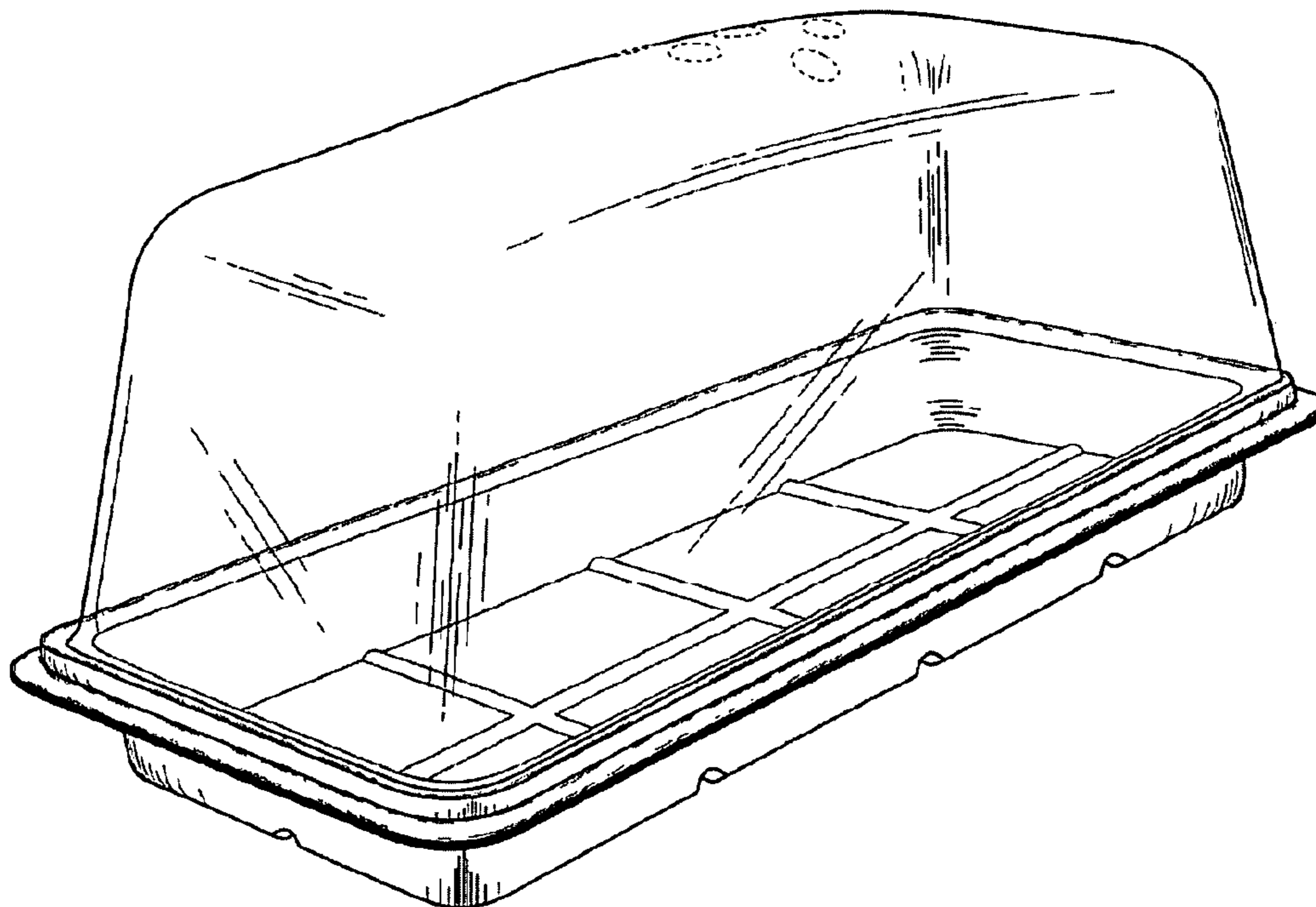
FIG. 5 is a left side elevation view thereof;

FIG. 6 is a top plan view of thereof; and,

FIG. 7 is a top view of thereof, with top portion removed in order to illustrate internal design.

The broken lines depict environmental subject matter only and form no part of the claimed design.

1 Claim, 6 Drawing Sheets



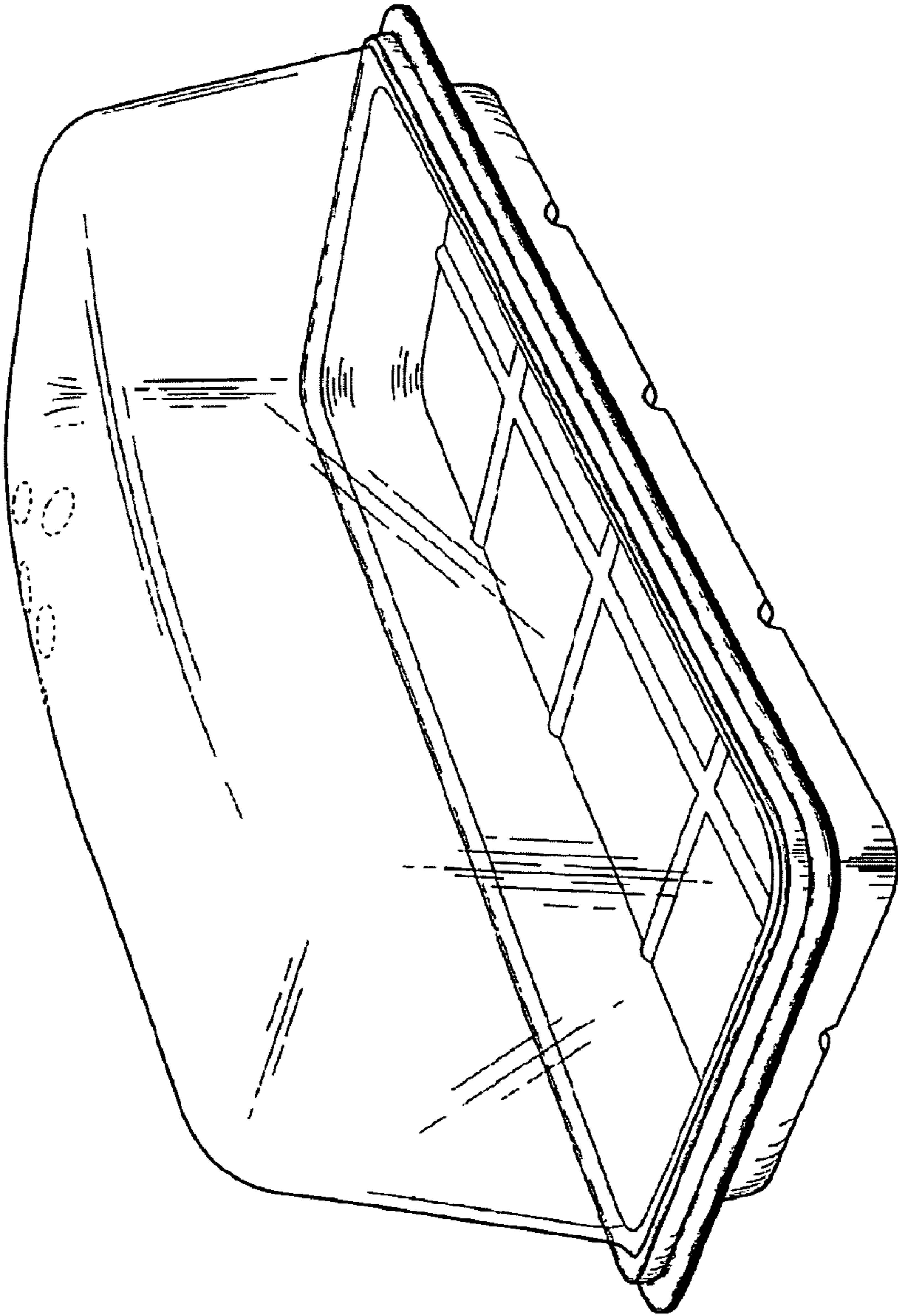


FIG. 1

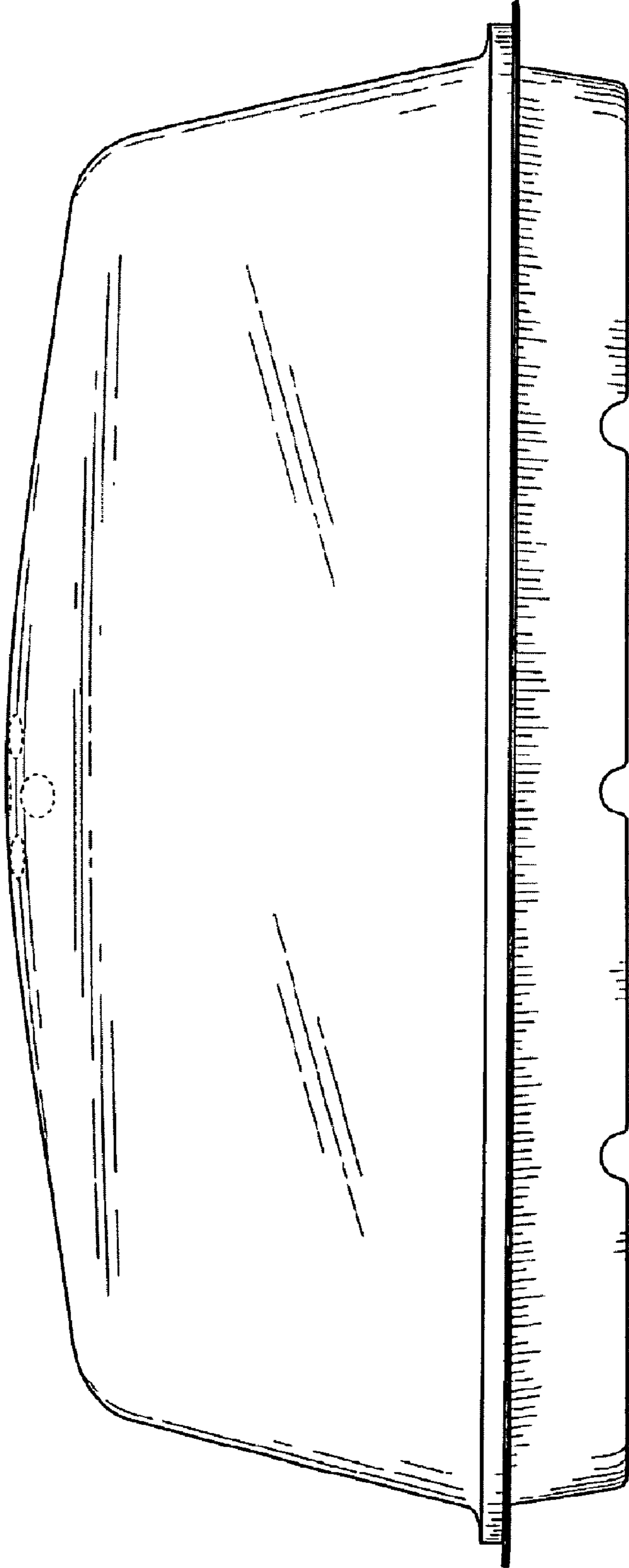


FIG. 2

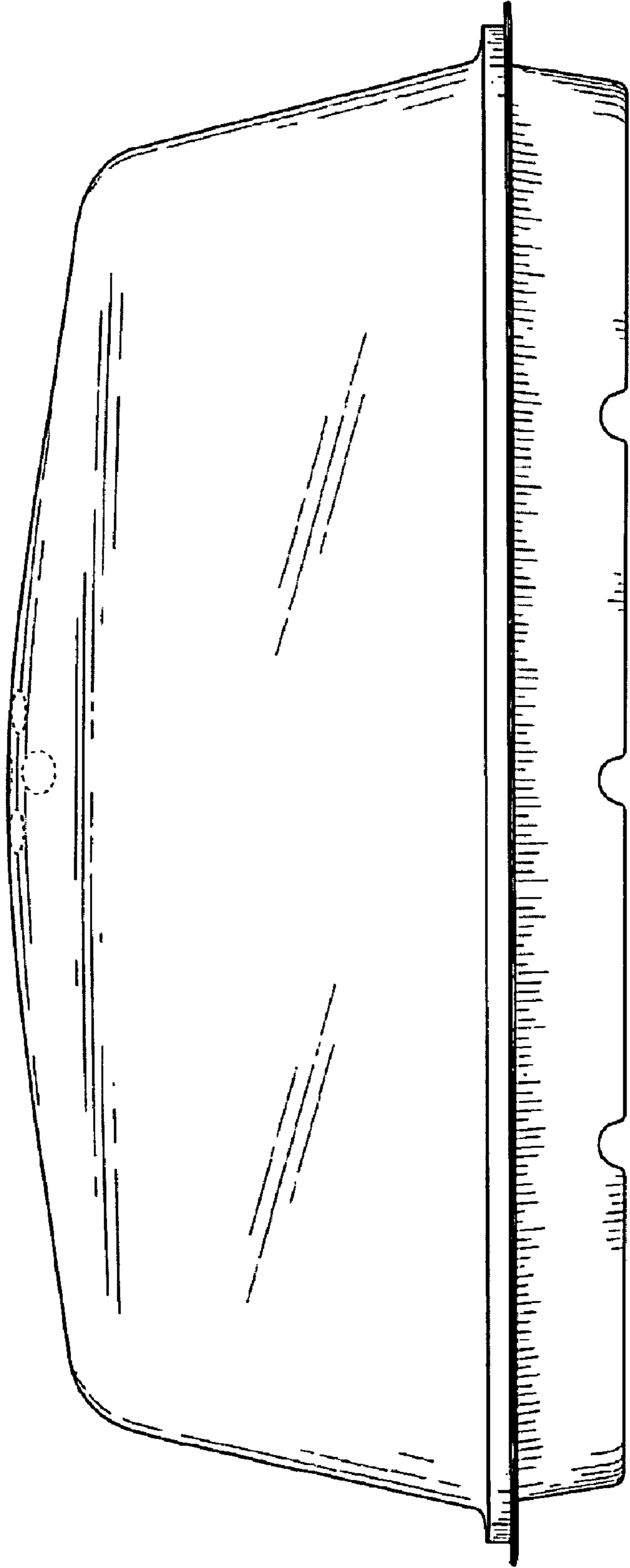


FIG. 3

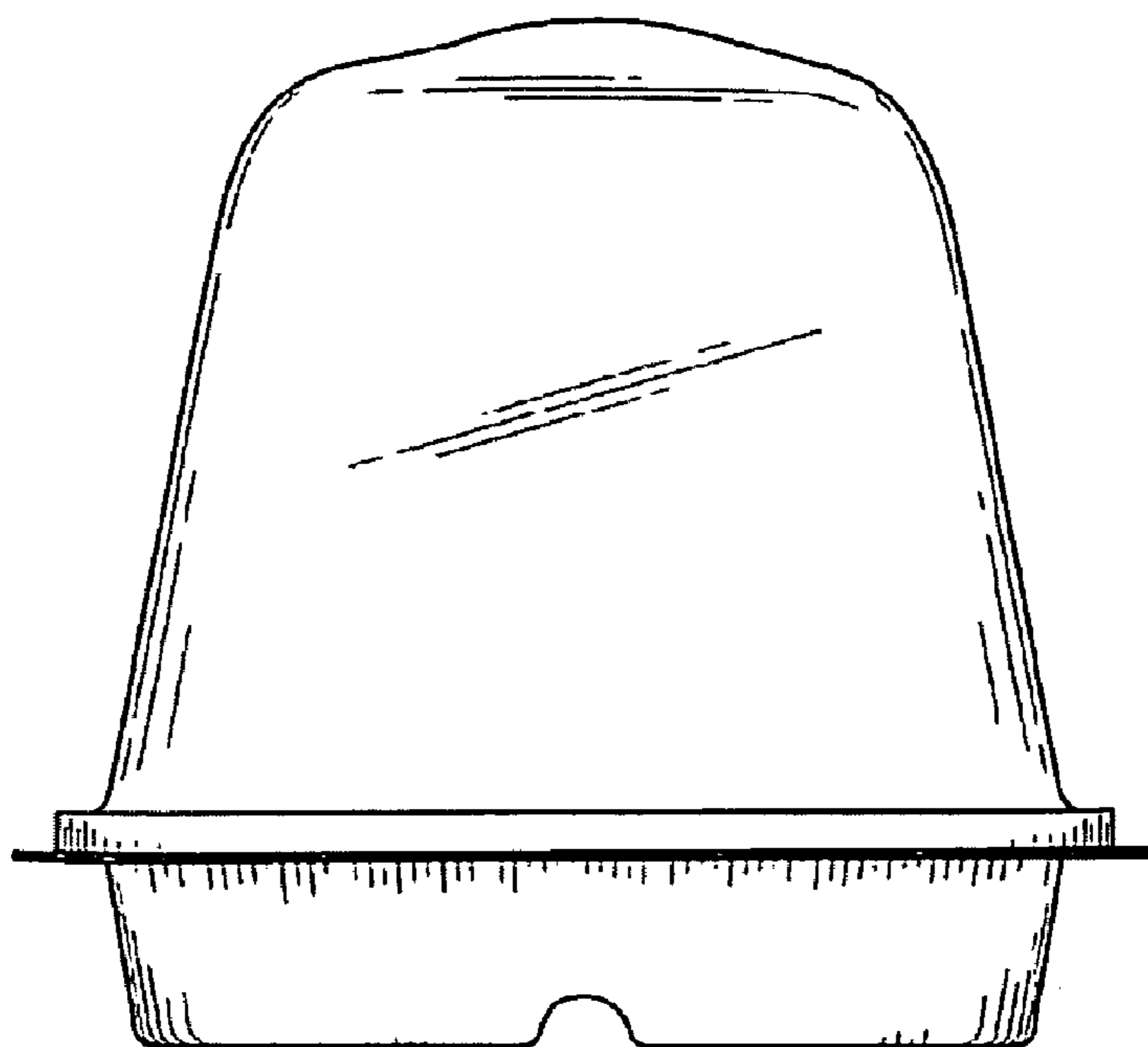


FIG. 4

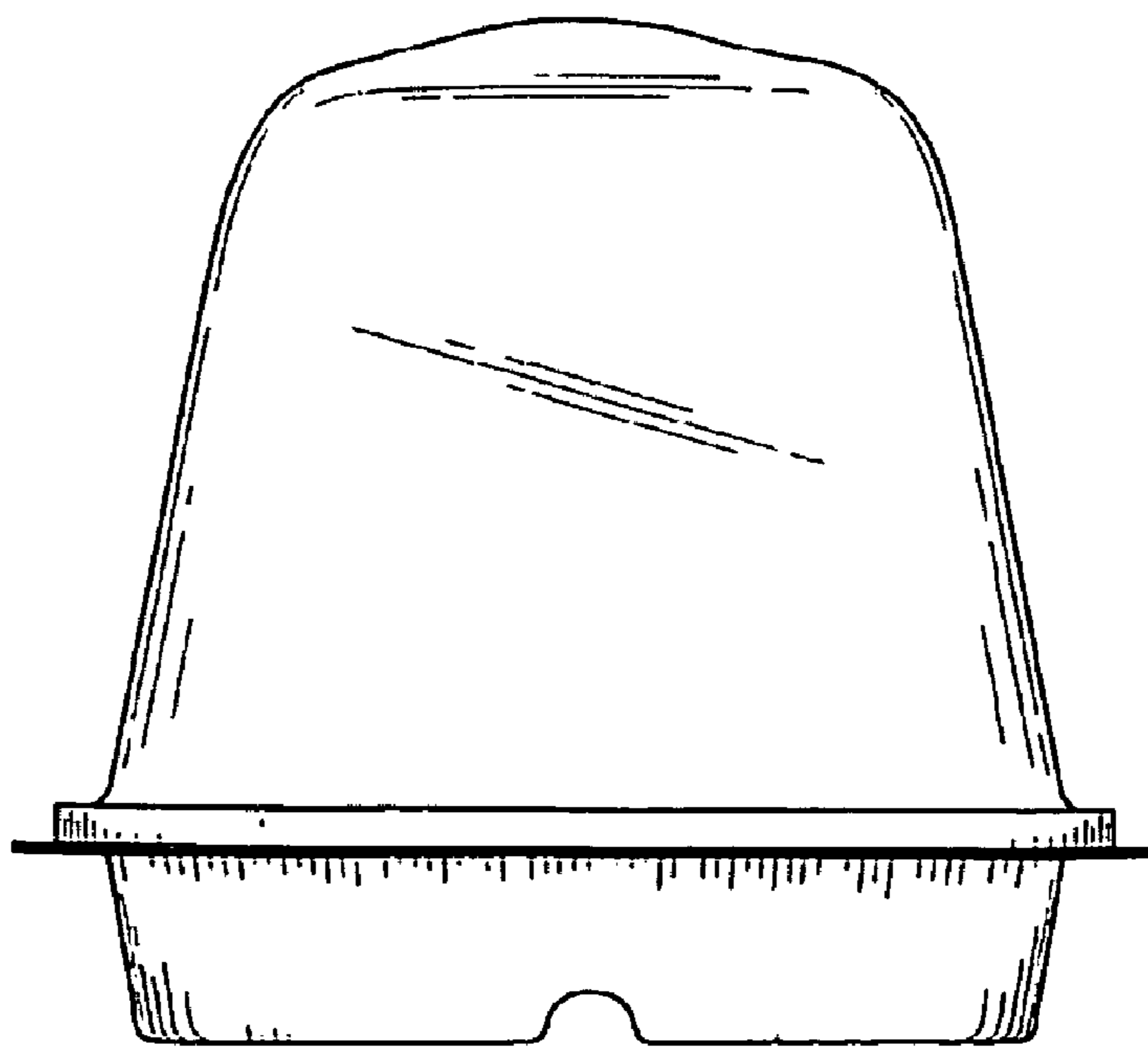


FIG. 5

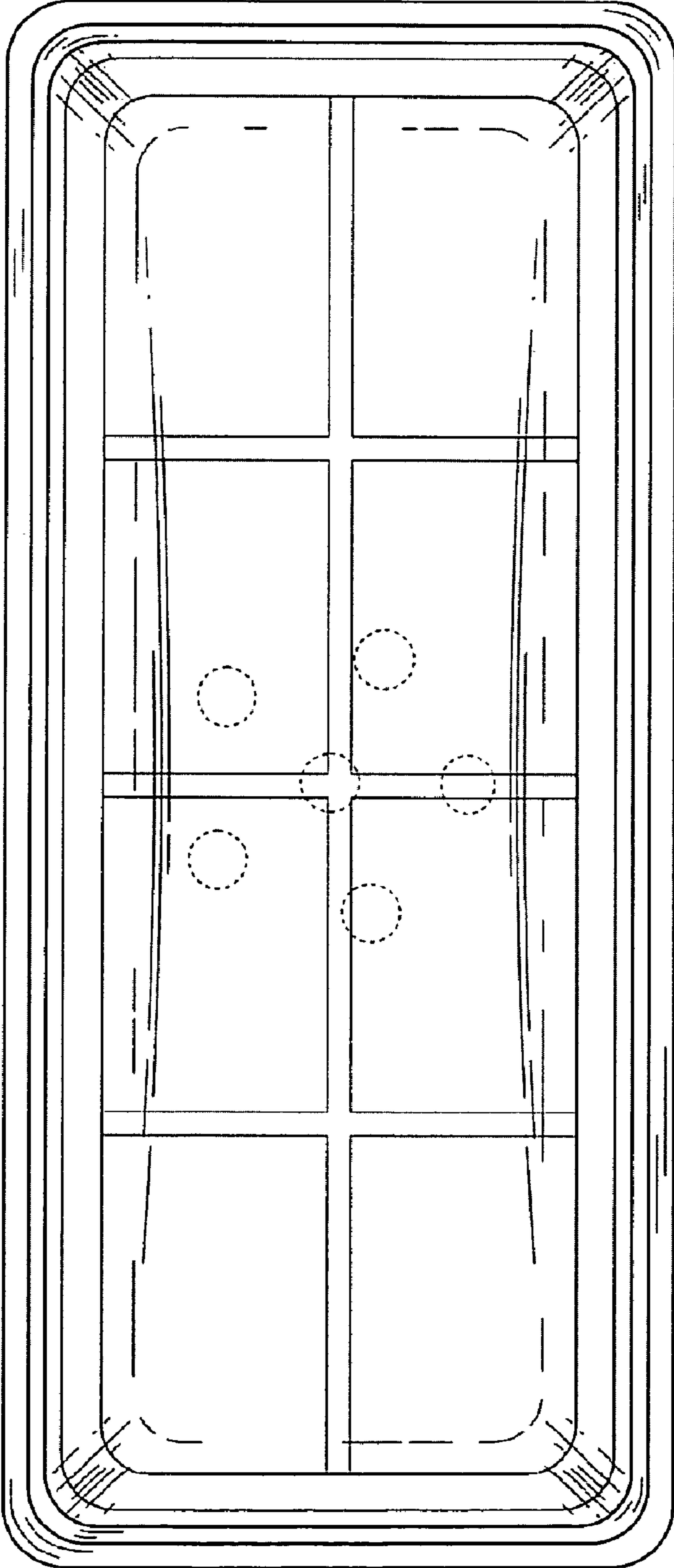


FIG. 6

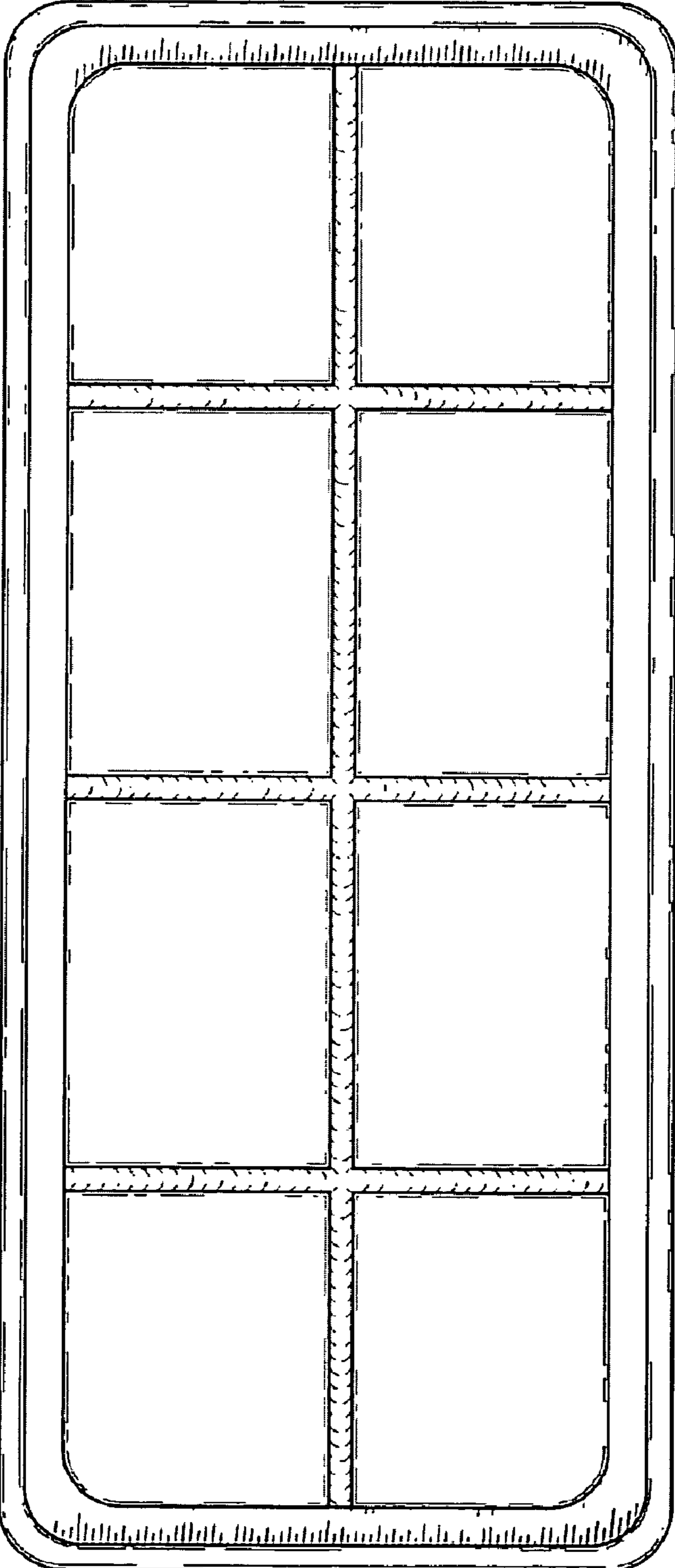


FIG. 7