



US00D606440S

(12) **United States Design Patent**
Sayegh

(10) **Patent No.:** **US D606,440 S**

(45) **Date of Patent:** **** Dec. 22, 2009**

(54) **ELECTRONIC ARTICLE SURVEILLANCE
ALARMING TAG HAVING A LANYARD**

(76) **Inventor:** **Adel O. Sayegh**, 5143 Paddock Pl.,
Rancho Cucamonga, CA (US) 97137

(**) **Term:** **14 Years**

(21) **Appl. No.:** **29/317,293**

(22) **Filed:** **Apr. 25, 2008**

(51) **LOC (9) Cl.** **10-05**

(52) **U.S. Cl.** **D10/106**

(58) **Field of Classification Search** D10/104-121;
340/546, 568.1, 568.2, 572.9; 70/57.1; D20/22
See application file for complete search history.

(56) **References Cited**

U.S. PATENT DOCUMENTS

5,097,253	A *	3/1992	Eschbach et al.	340/545.1
6,831,559	B2 *	12/2004	Chen	340/545.7
7,227,467	B2 *	6/2007	Feibelman	340/568.2
7,336,180	B2 *	2/2008	Sayegh et al.	340/572.1
2003/0160697	A1 *	8/2003	Sedon et al.	340/572.9
2005/0116827	A1 *	6/2005	Feibelman	340/572.9
2005/0128089	A1 *	6/2005	Feibelman	340/572.9
2006/0170550	A1 *	8/2006	Marsilio et al.	340/568.2
2006/0220848	A1 *	10/2006	Tropper	340/568.1
2007/0120669	A1 *	5/2007	Belden, Jr.	340/568.2

* cited by examiner

Primary Examiner—Caron Veynar
Assistant Examiner—George D Kirschbaum
(74) *Attorney, Agent, or Firm*—Milord A. Keshishian

(57) **CLAIM**

An ornamental design for an electronic article surveillance alarming tag having a lanyard, as shown and described.

DESCRIPTION

FIG. 1 is a top plan view of the electronic article surveillance alarming tag having a lanyard in an engaged state;

FIG. 2 is a bottom plan view thereof in an engaged state;

FIG. 3 is a top-frontal perspective view thereof in an engaged state;

FIG. 4 is a rear elevational view thereof;

FIG. 5 is a top plan view thereof in an unengaged state;

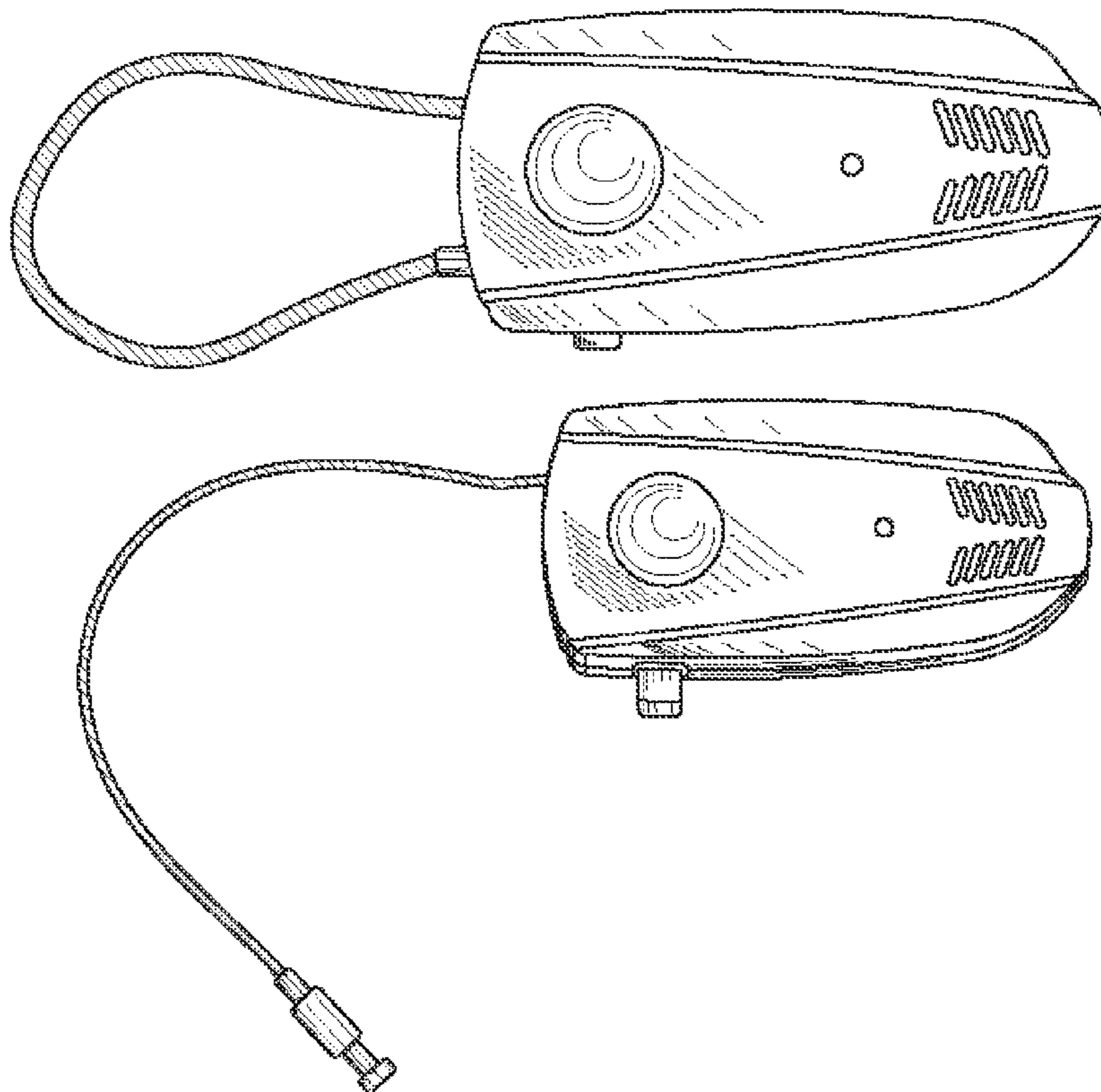
FIG. 6 is a top-rearward perspective view thereof in an unengaged state;

FIG. 7 is a top-frontal perspective view thereof in an unengaged state;

FIG. 8 is a right side elevational view thereof in an unengaged state; and,

FIG. 9 is a left side elevational view thereof in an engaged state.

1 Claim, 2 Drawing Sheets



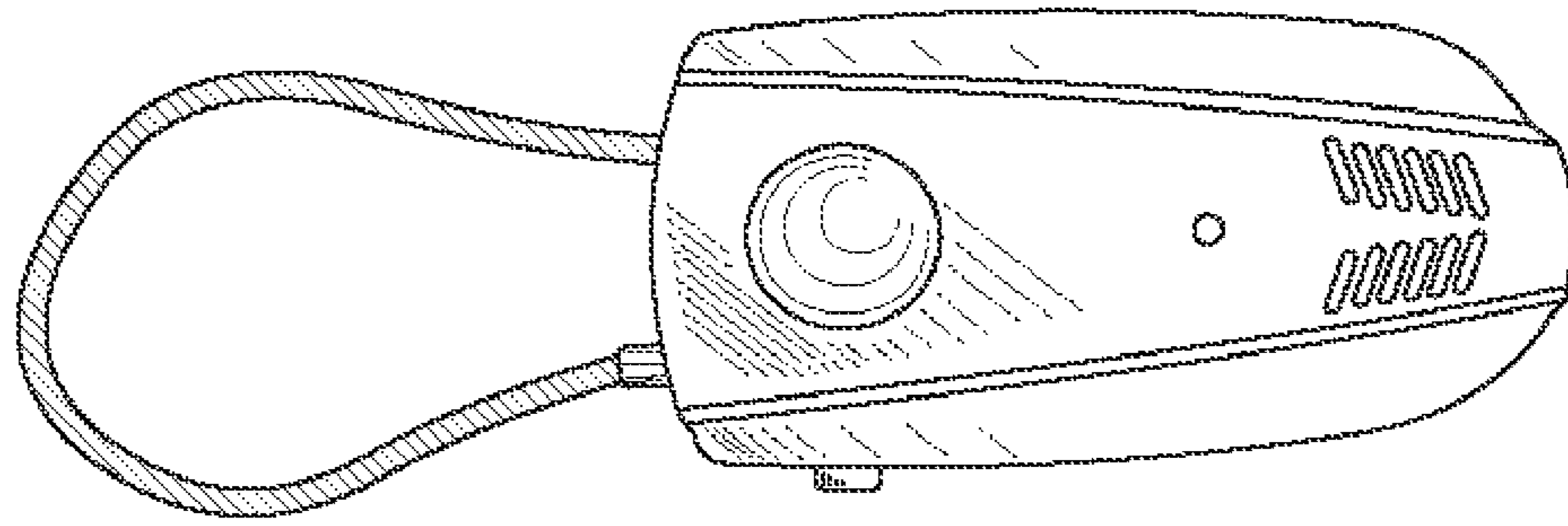


Fig. 1

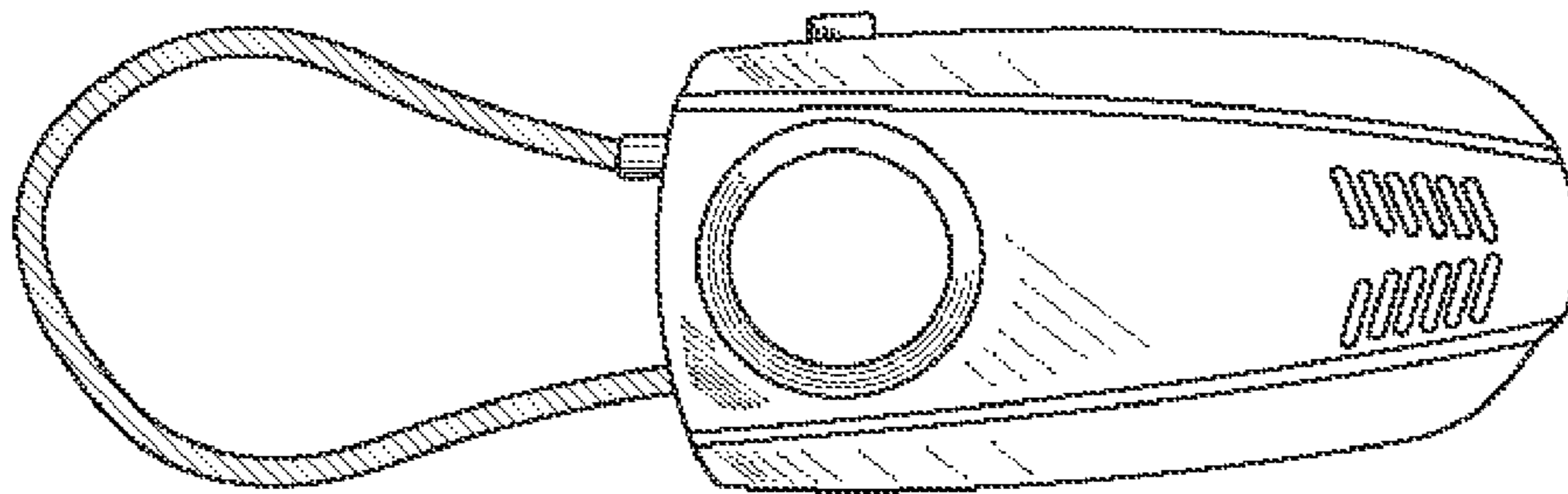


Fig. 2

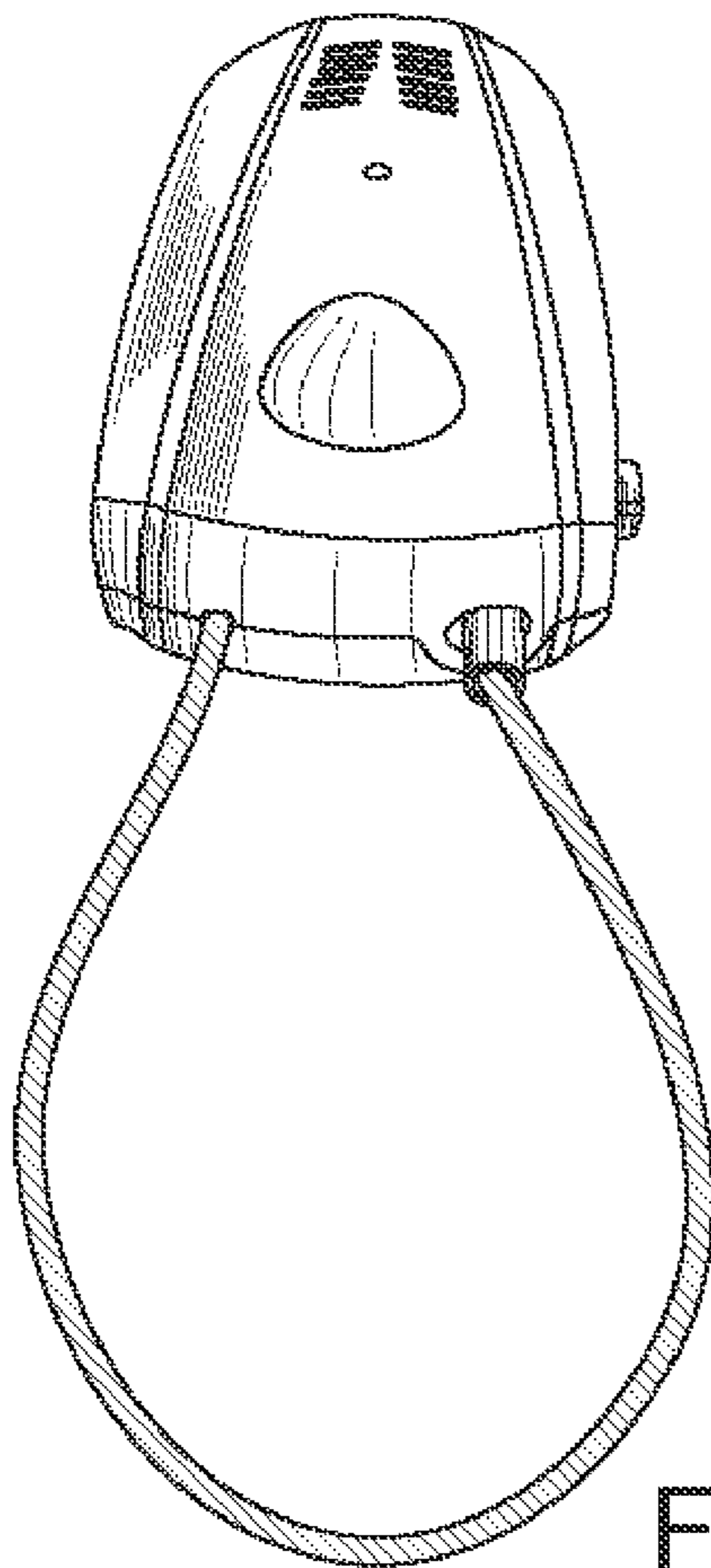


Fig. 3

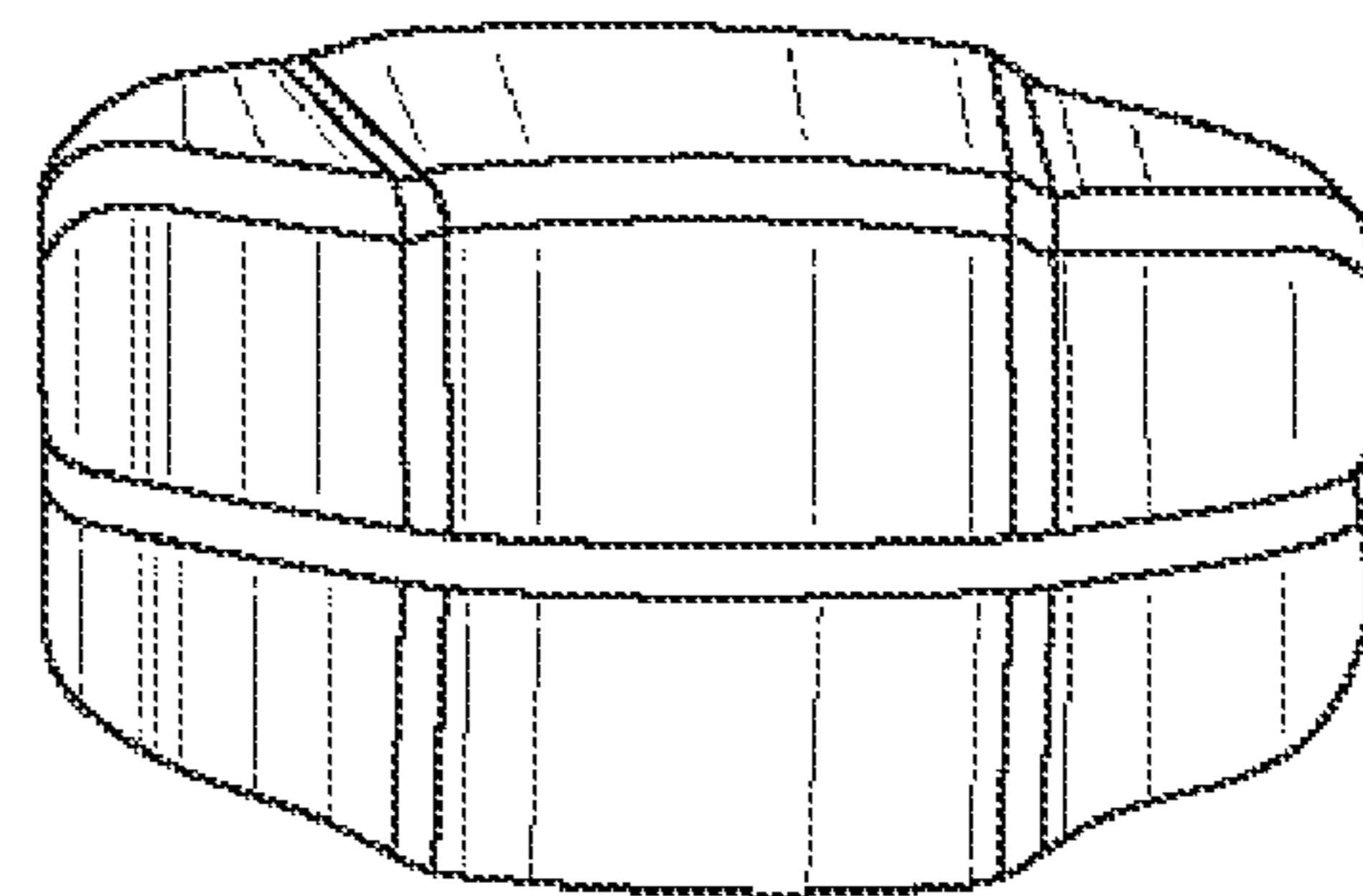


Fig. 4

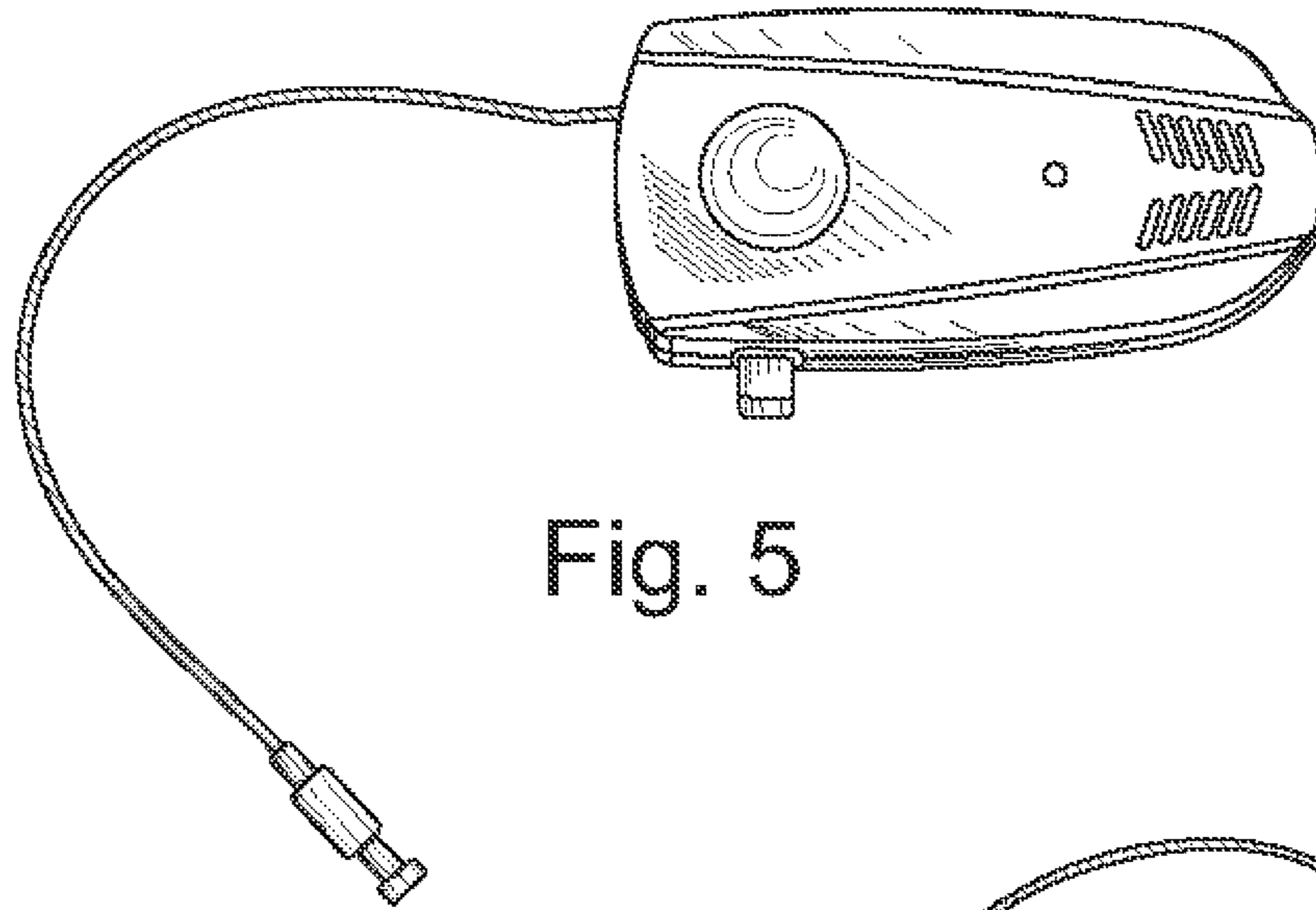


Fig. 5

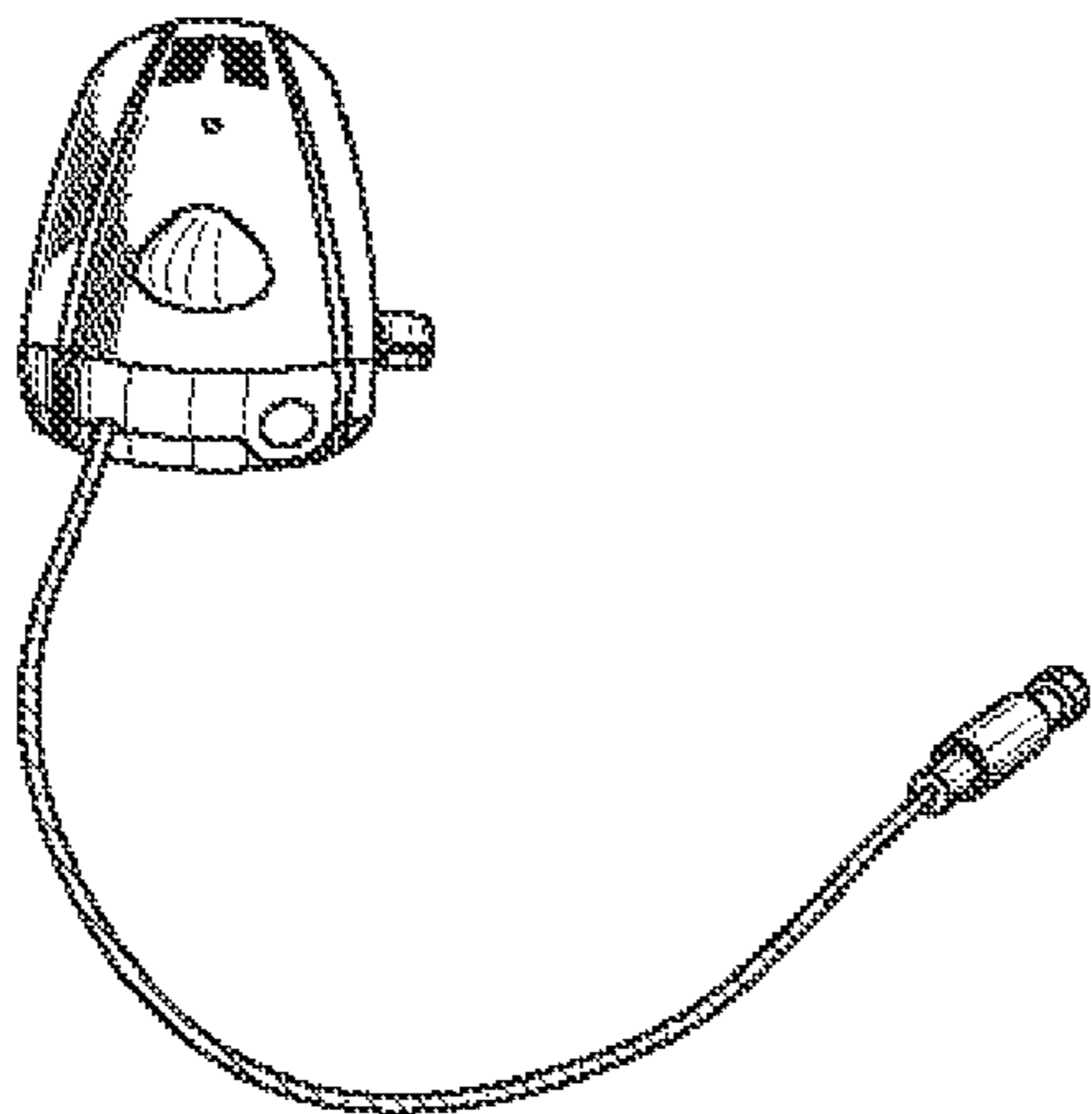


Fig. 7

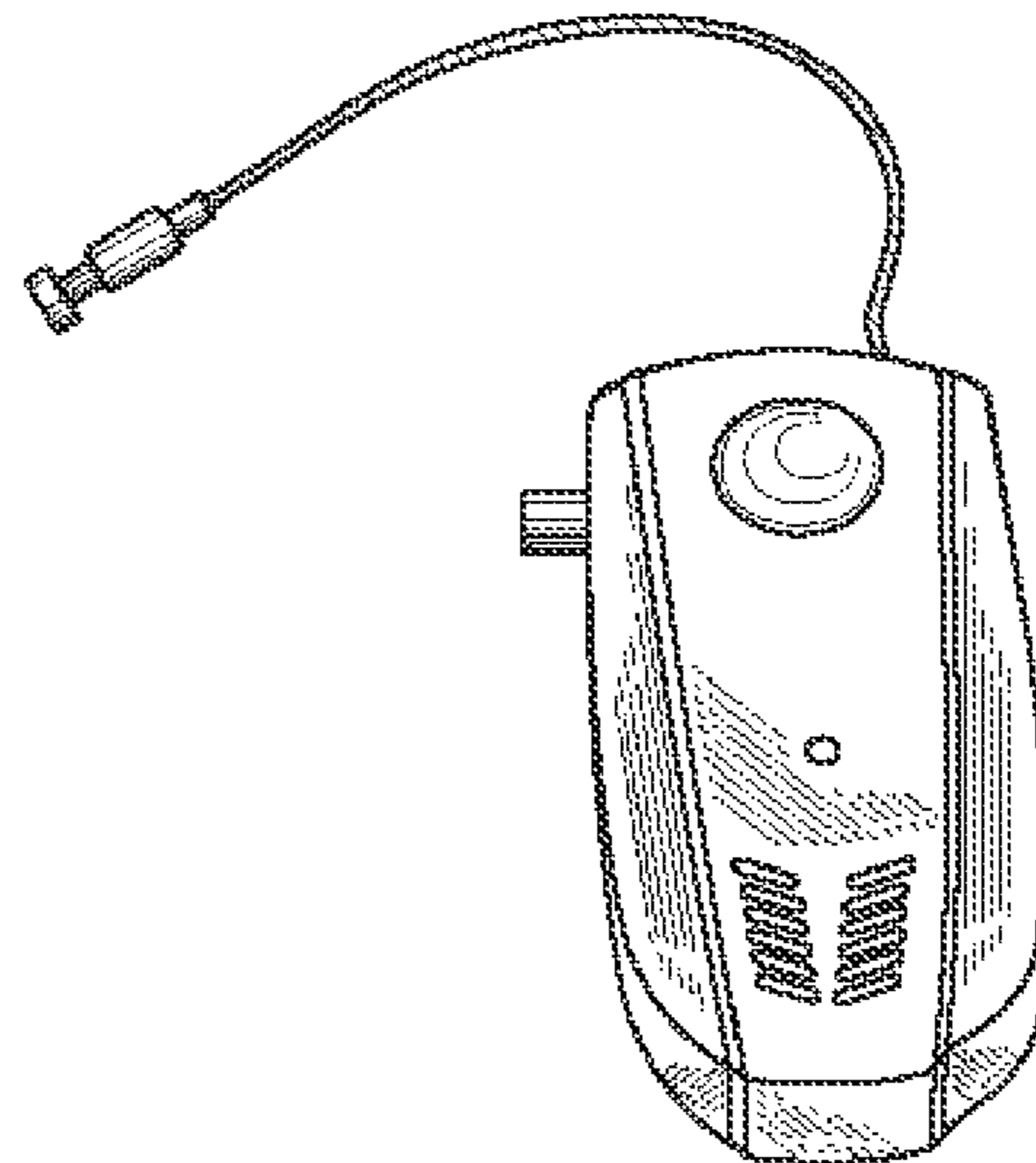


Fig. 6

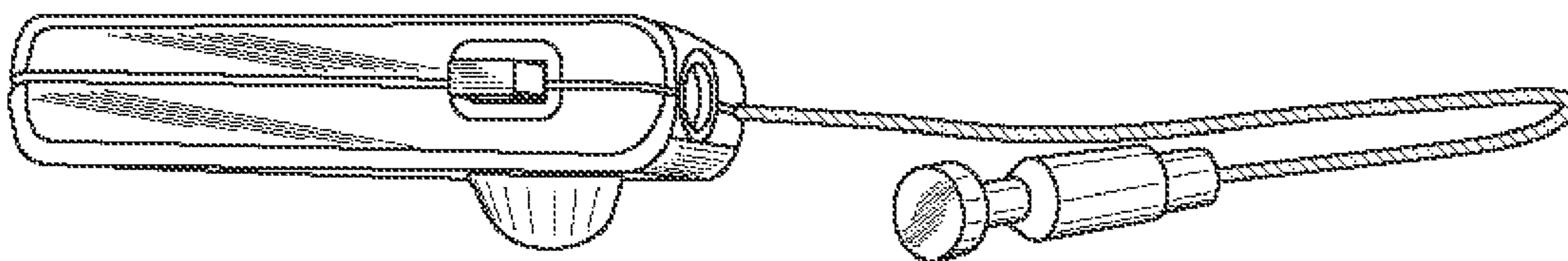


Fig. 8

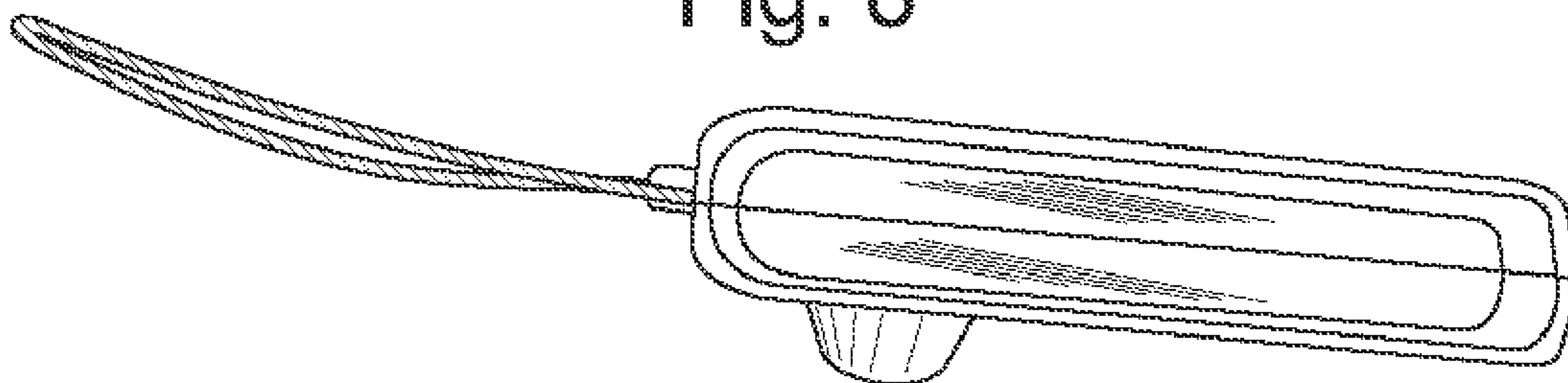


Fig. 9