

US00D606439S

(12) **United States Design Patent**
Yan

(10) **Patent No.:** **US D606,439 S**
(45) **Date of Patent:** **** Dec. 22, 2009**

(54) **SIGHT GLASS APPLIED IN REFRIGERATION SYSTEM**

FOREIGN PATENT DOCUMENTS

EP 0866290 B1 5/2003

* cited by examiner

Primary Examiner—Antoine D Davis

(74) *Attorney, Agent, or Firm*—McCormick, Paulding & Huber LLP

(75) Inventor: **Miao Yan**, Tianjin (CN)

(73) Assignee: **Danfoss Tianjin Ltd.**, Tianjin (CN)

(**) Term: **14 Years**

(21) Appl. No.: **29/331,155**

(22) Filed: **Jan. 21, 2009**

(30) **Foreign Application Priority Data**

Jul. 22, 2008 (CN) 2008 3 0129433

(51) **LOC (9) Cl.** **10-04**

(52) **U.S. Cl.** **D10/101; D10/102**

(58) **Field of Classification Search** D10/46,
D10/101–102; 73/323, 325, 326, 327, 334;
116/274; 137/359, 528, 550; 220/663, 614

See application file for complete search history.

(56) **References Cited**

U.S. PATENT DOCUMENTS

| | | | | |
|-----------|-----|---------|---------------|---------|
| 4,064,826 | A | 12/1977 | Pauli | |
| 4,888,990 | A | 12/1989 | Bryan et al. | |
| 5,383,338 | A | 1/1995 | Bowsky et al. | |
| D412,454 | S | 8/1999 | Berkelhammer | |
| 6,116,274 | A | 9/2000 | Ehrlich | |
| D495,265 | S * | 8/2004 | Kim | D10/101 |
| D519,867 | S * | 5/2006 | Kim | D10/101 |
| 7,540,187 | B1 | 6/2009 | Dillon | |

(57) **CLAIM**

The ornamental design for a sight glass applied in refrigeration system, substantially as shown and described.

DESCRIPTION

FIG. 1 is a front view of a sight glass applied in refrigeration system comprising a new, original and ornamental design;

FIG. 2 is a rear view of a sight glass applied in refrigeration system comprising the new, original and ornamental design;

FIG. 3 is a left-hand side view of a sight glass applied in refrigeration system comprising the new, original and ornamental design;

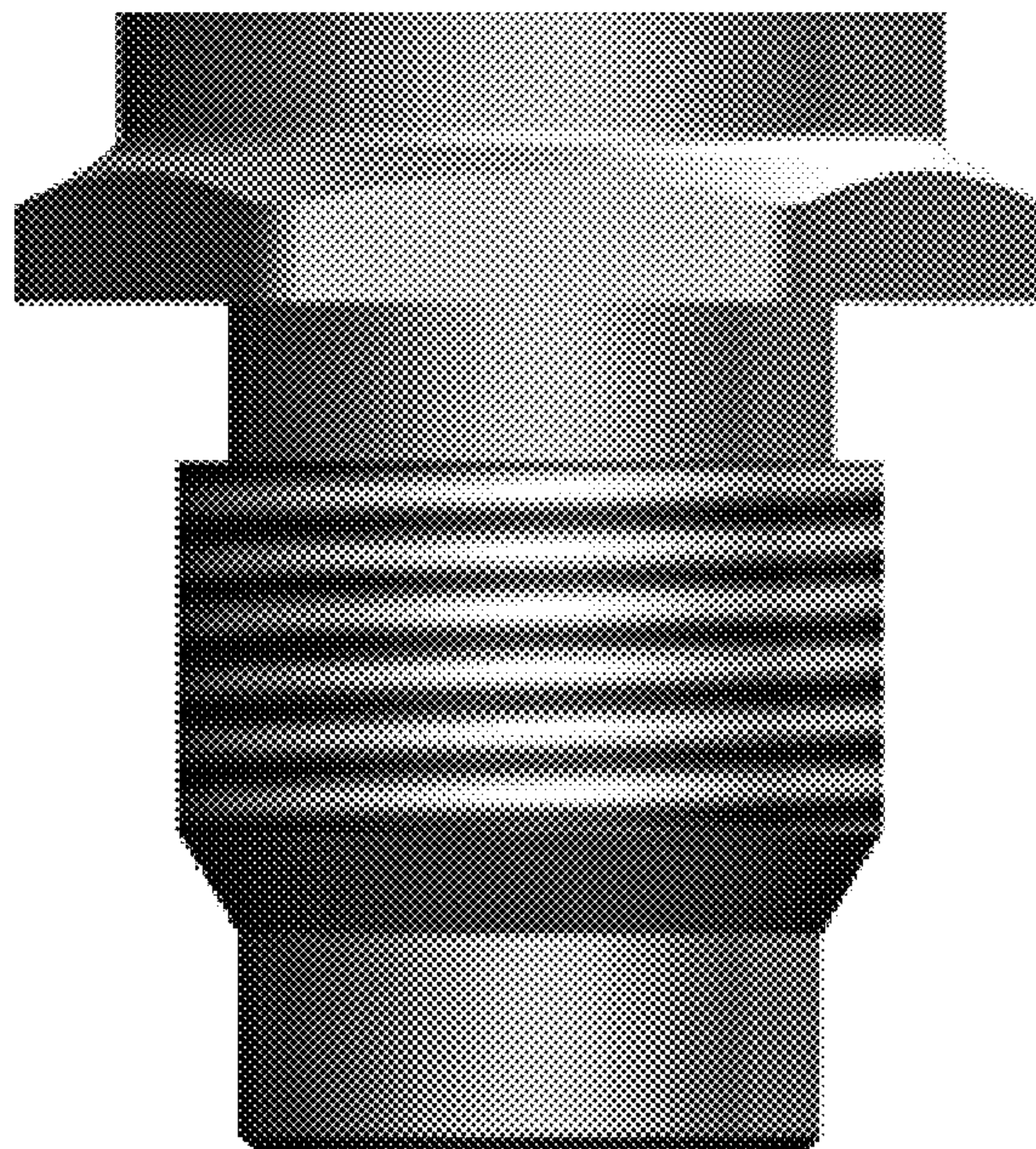
FIG. 4 is a right-hand side view of a sight glass applied in refrigeration system comprising the new, original and ornamental design;

FIG. 5 is a top view of a sight glass applied in refrigeration system comprising the new, original and ornamental design;

FIG. 6 is a bottom view of a sight glass applied in refrigeration system comprising the new, original and ornamental design; and,

FIG. 7 is a perspective view of a sight glass applied in refrigeration system comprising the new, original and ornamental design.

1 Claim, 2 Drawing Sheets



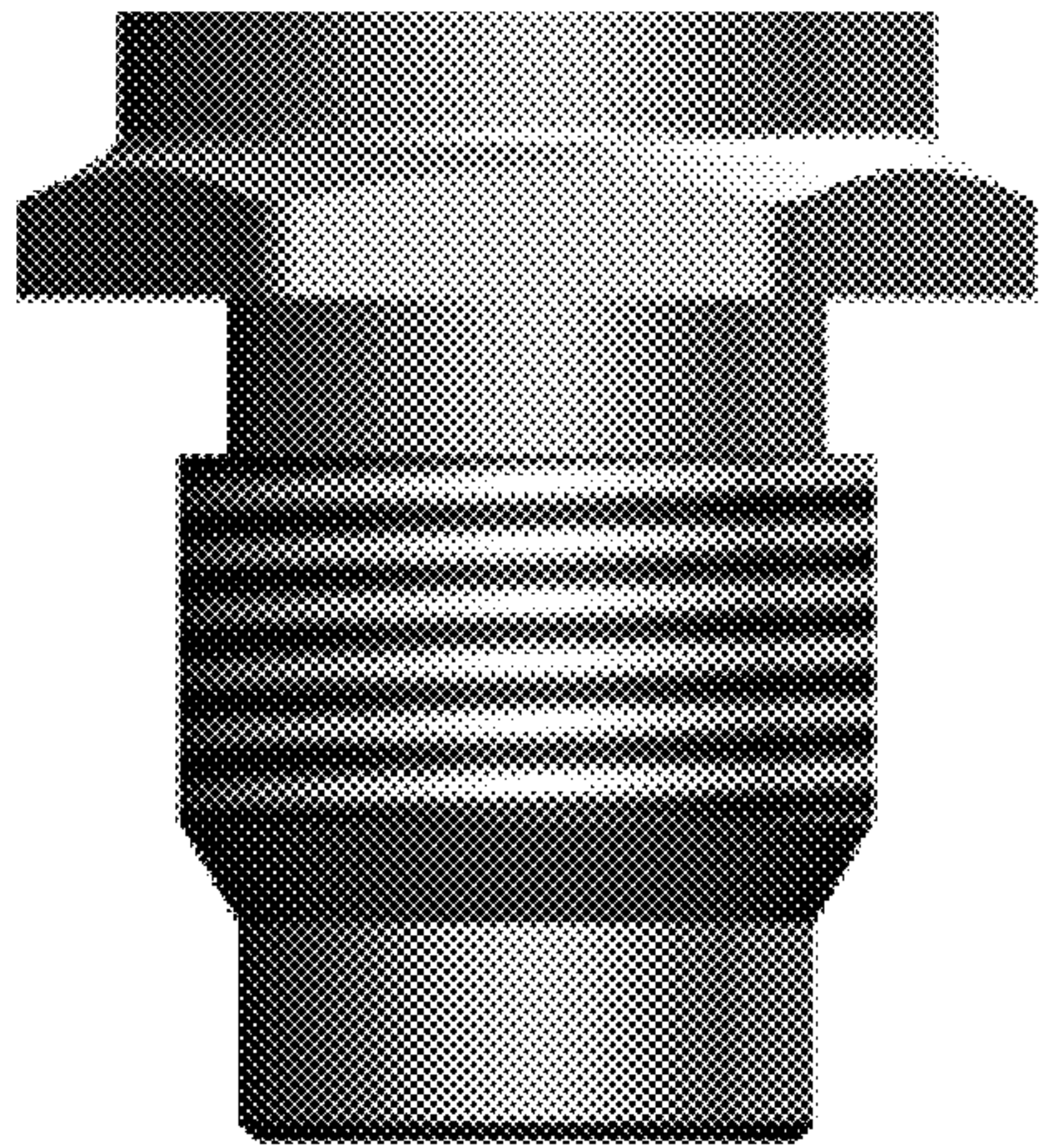


FIG. 1

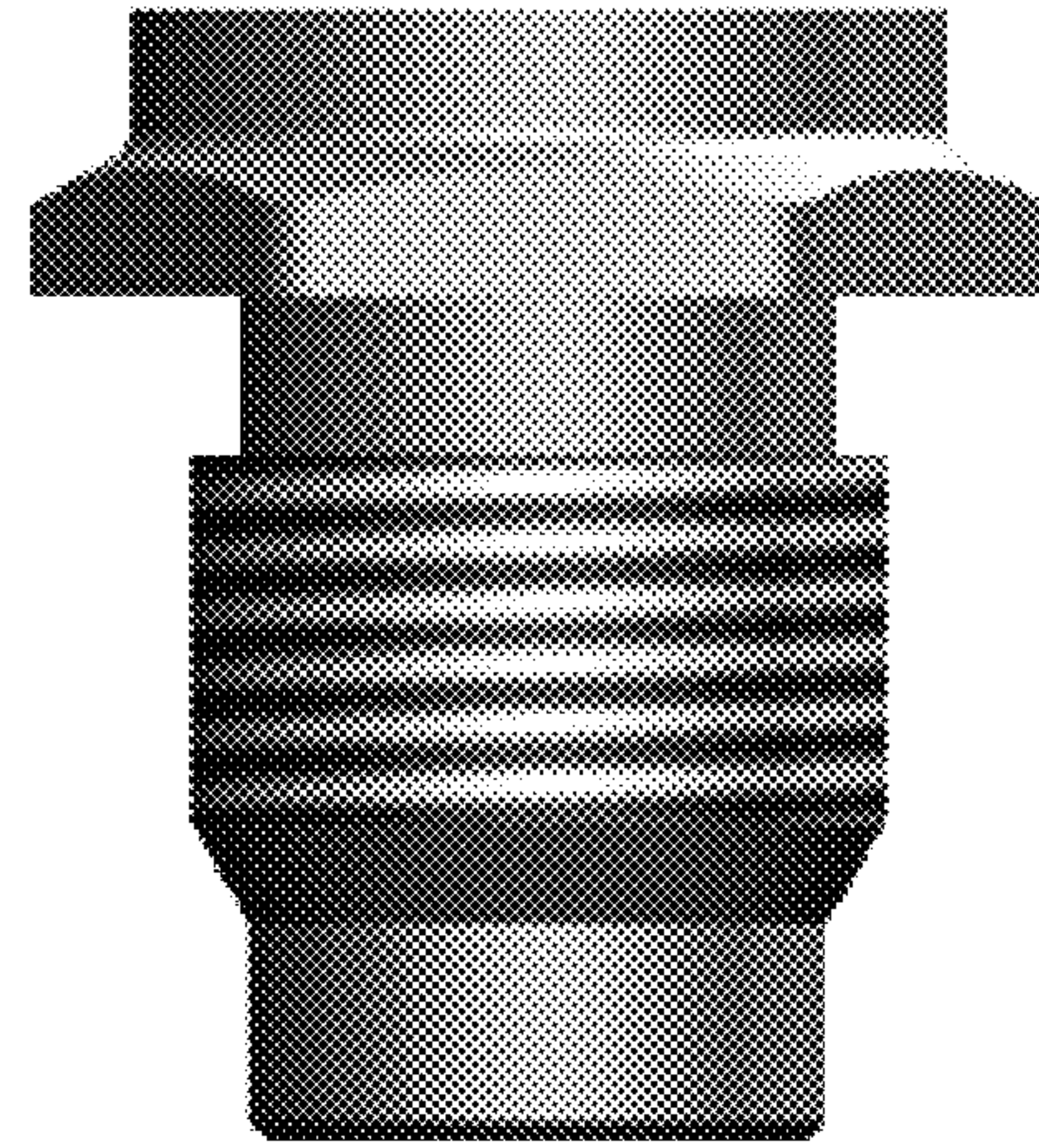


FIG. 2

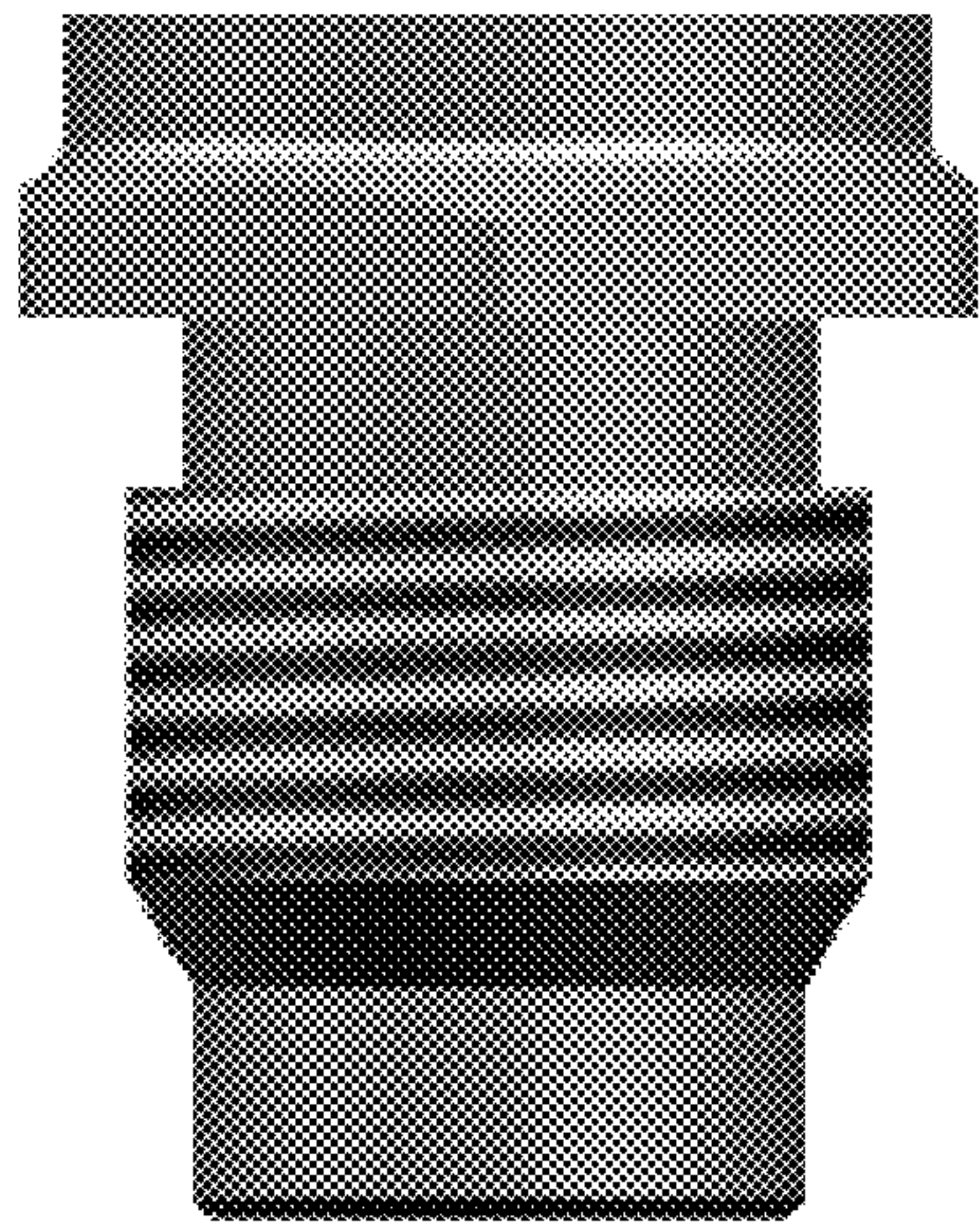


FIG. 3

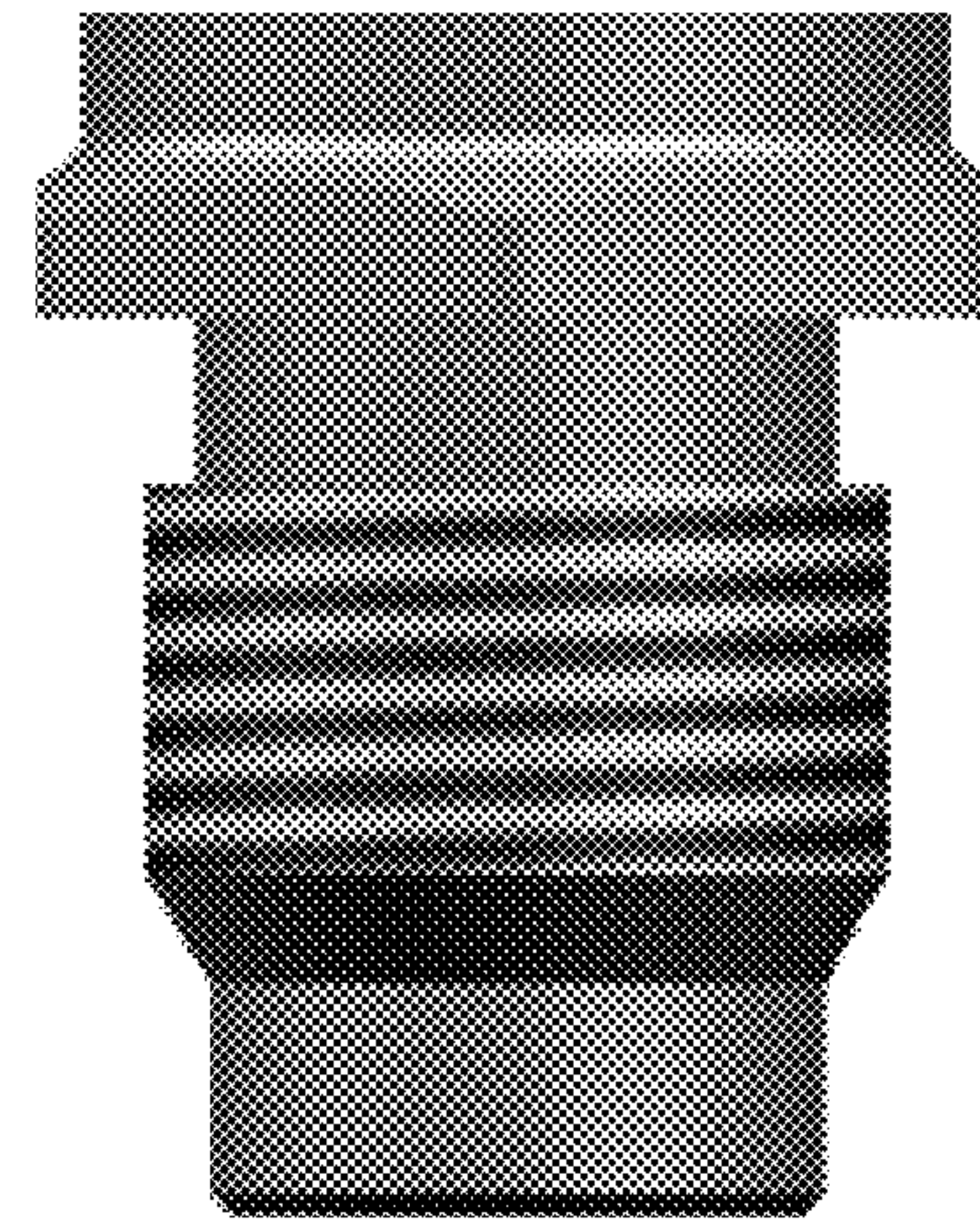


FIG. 4

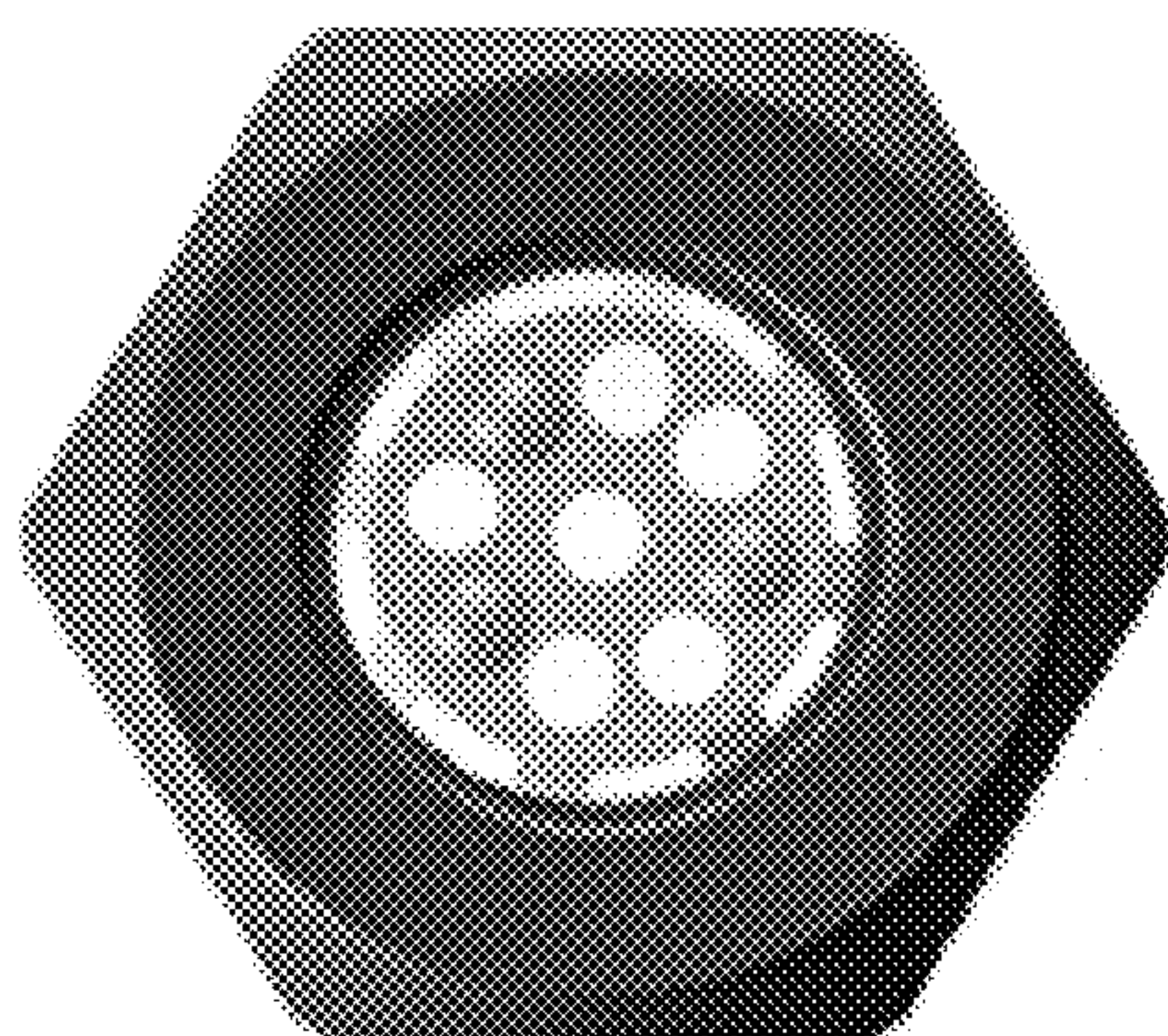


FIG. 5

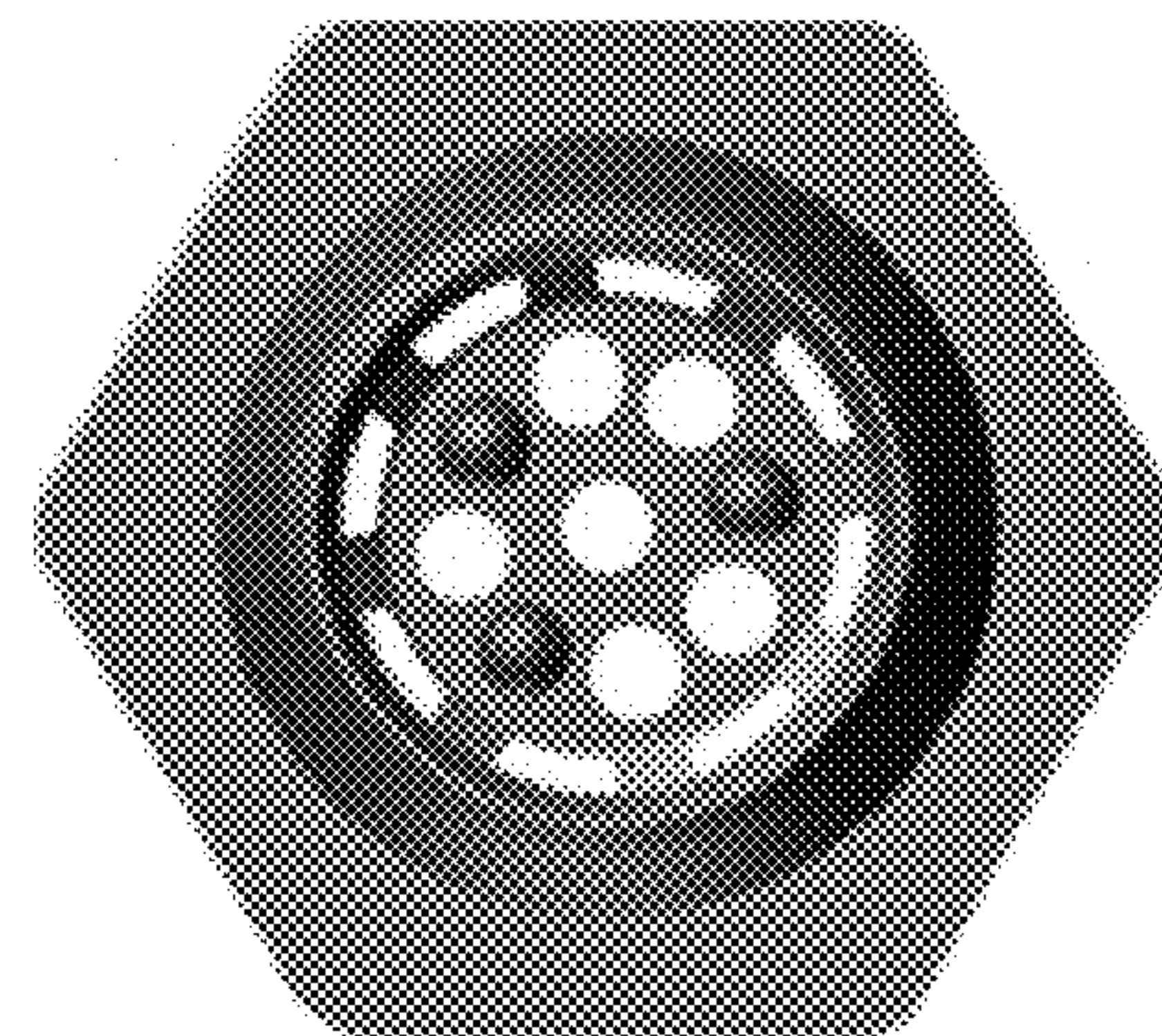


FIG. 6



FIG. 7