



US00D606438S

(12) **United States Design Patent**  
**Yan**

(10) **Patent No.:** **US D606,438 S**  
(45) **Date of Patent:** **\*\* Dec. 22, 2009**

(54) **SIGHT GLASS APPLIED IN REFRIGERATION SYSTEM**

7,540,187 B1 \* 6/2009 Dillon ..... 73/327

**FOREIGN PATENT DOCUMENTS**

(75) Inventor: **Miao Yan**, Tianjin (CN)

EP 0866290 B1 5/2003

\* cited by examiner

(73) Assignee: **Danfoss Tianjin Ltd.**, Tianjin (CN)

*Primary Examiner*—Antoine D Davis

(\*\*) Term: **14 Years**

(74) *Attorney, Agent, or Firm*—McCormick, Paulding & Huber LLP

(21) Appl. No.: **29/331,151**

(22) Filed: **Jan. 21, 2009**

(57) **CLAIM**

(30) **Foreign Application Priority Data**

The ornamental design for a sight glass applied in refrigeration system, substantially as shown and described.

Jul. 22, 2008 (CN) ..... 2008 3 0129436

**DESCRIPTION**

(51) **LOC (9) Cl.** ..... **10-04**

FIG. 1 is a front view of a sight glass applied in refrigeration system comprising a new, original and ornamental design;

(52) **U.S. Cl.** ..... **D10/101; D10/102**

FIG. 2 is a left-hand side view of a sight glass applied in refrigeration system comprising the new, original and ornamental design, the right-hand side view being a mirror image thereof;

(58) **Field of Classification Search** ..... D10/46, D10/101–102; 73/323, 325, 326, 327, 334; 116/274; 137/359, 528, 550; 220/614, 663  
See application file for complete search history.

FIG. 3 is a top view of a sight glass applied in refrigeration system comprising the new, original and ornamental design;

(56) **References Cited**

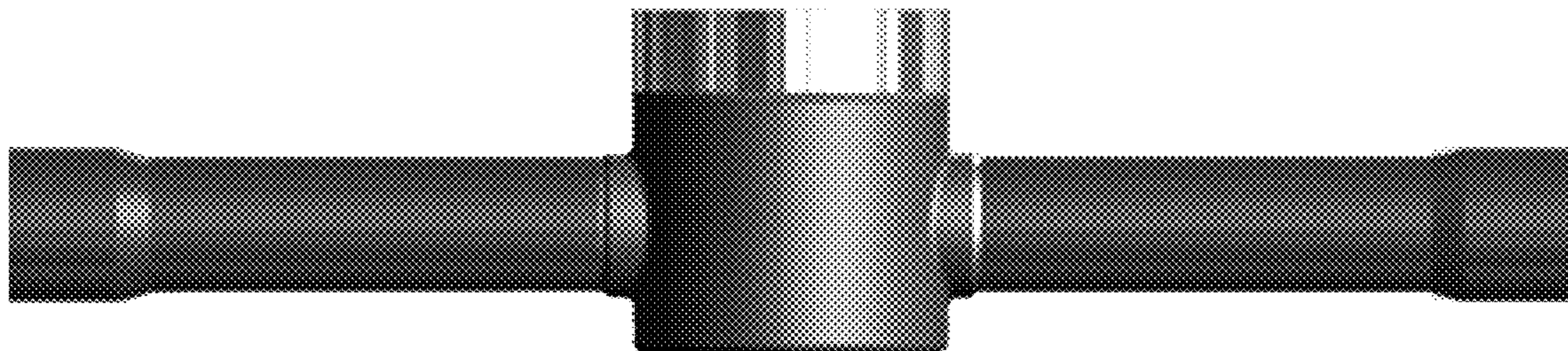
**U.S. PATENT DOCUMENTS**

- 4,064,826 A 12/1977 Pauli
- 4,888,990 A \* 12/1989 Bryan et al. .... 73/326
- 5,383,338 A 1/1995 Bowsky et al.
- D412,454 S \* 8/1999 Berkelhammer ..... D10/103
- 6,116,274 A \* 9/2000 Ehrlich ..... 137/559
- D495,265 S 8/2004 Kim
- D519,867 S 5/2006 Kim

FIG. 4 is a bottom view of a sight glass applied in refrigeration system comprising the new, original and ornamental design; and,

FIG. 5 is a perspective view of a sight glass applied in refrigeration system comprising the new, original and ornamental design.

**1 Claim, 1 Drawing Sheet**



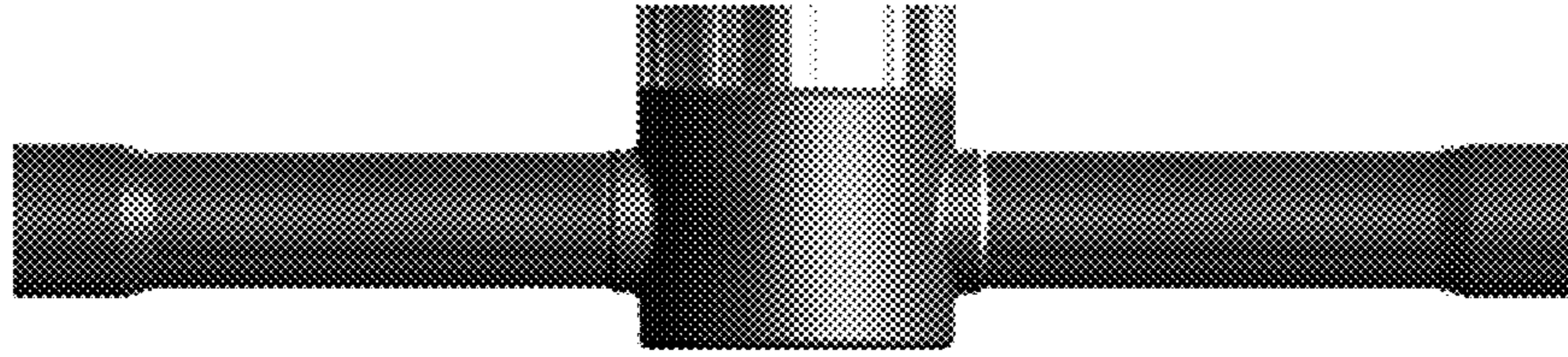


FIG. 1

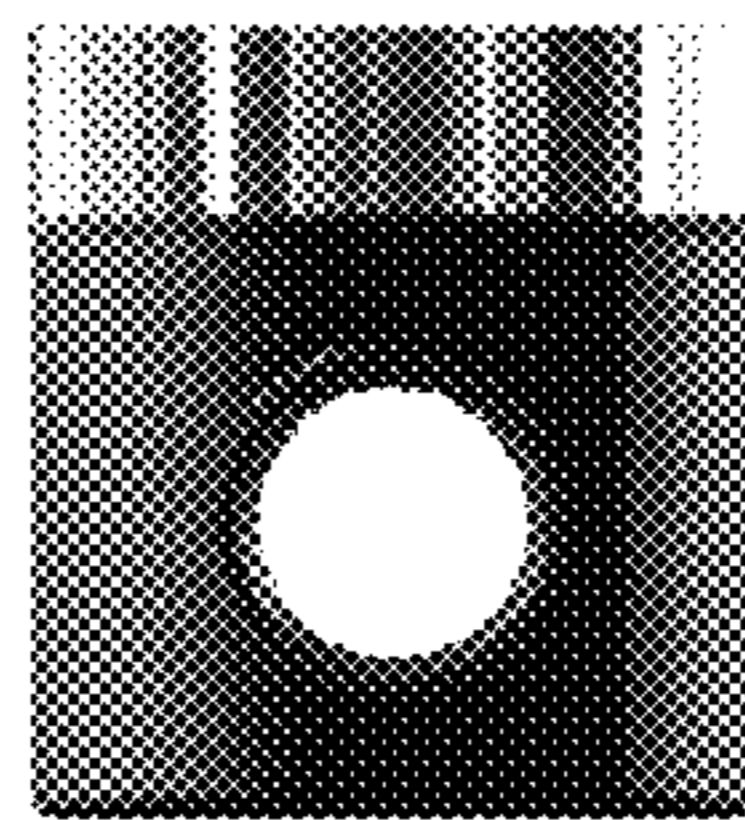


FIG. 2

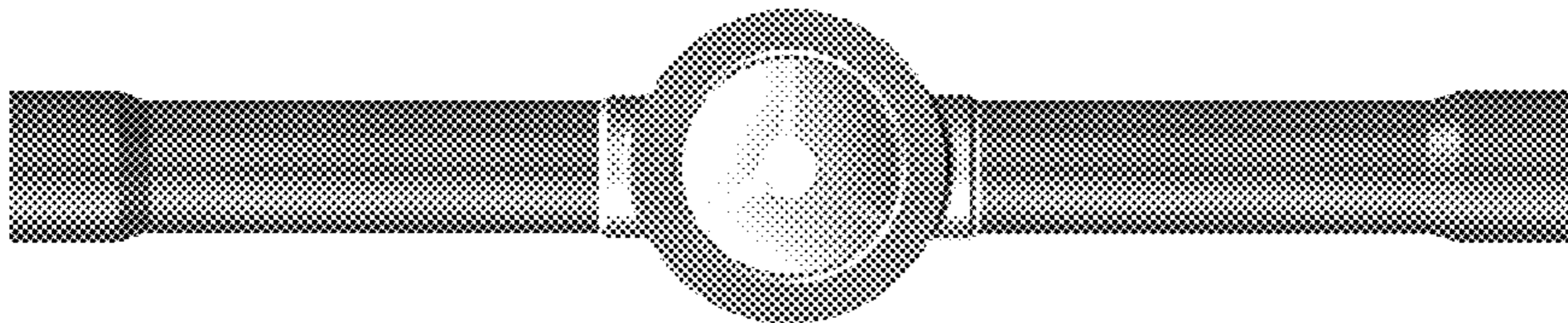


FIG. 3

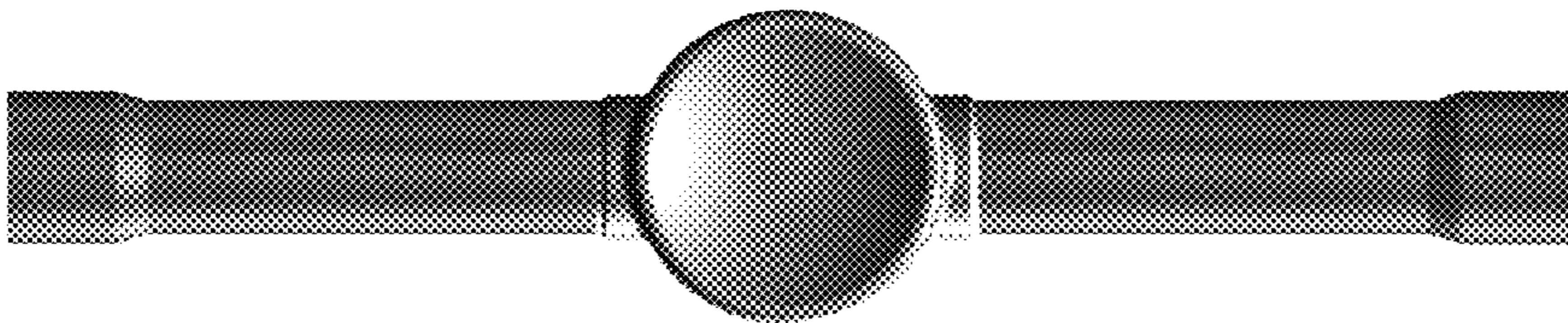


FIG. 4

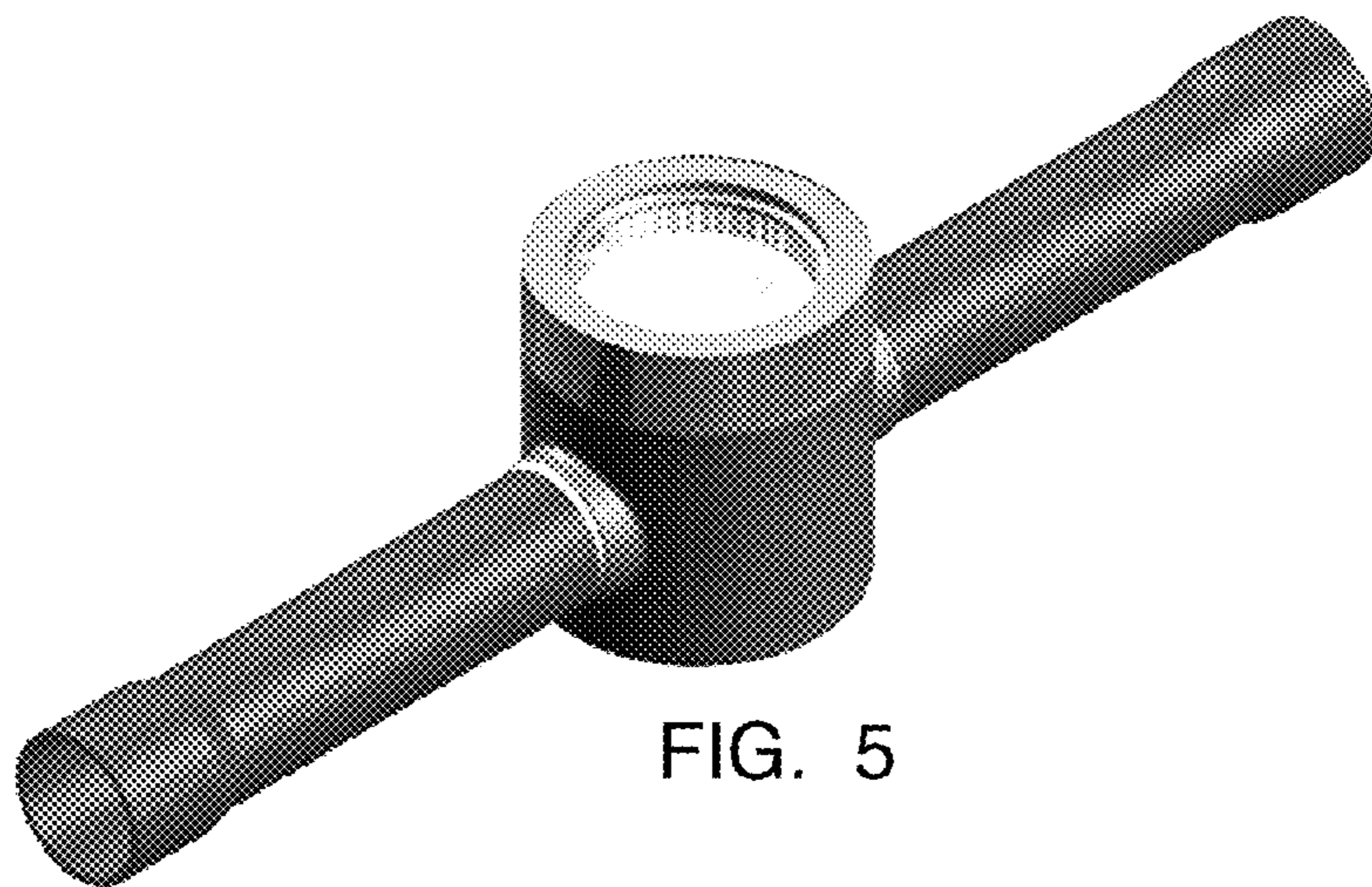


FIG. 5