



US00D606437S

(12) **United States Design Patent**
Yan

(10) **Patent No.:** **US D606,437 S**
(45) **Date of Patent:** **** Dec. 22, 2009**

(54) **SIGHT GLASS APPLIED IN REFRIGERATION SYSTEM**

FOREIGN PATENT DOCUMENTS

(75) Inventor: **Miao Yan**, Tianjin (CN)

EP 0866290 B1 5/2003

(73) Assignee: **Danfoss Tianjin Ltd.**, Tianjin (CN)

* cited by examiner

(**) Term: **14 Years**

Primary Examiner—Antoine D Davis

(21) Appl. No.: **29/331,148**

(74) *Attorney, Agent, or Firm*—McCormick, Paulding & Huber LLP

(22) Filed: **Jan. 21, 2009**

(57) **CLAIM**

(30) **Foreign Application Priority Data**

The ornamental design for a sight glass applied in refrigeration system, substantially as shown and described.

Jul. 22, 2008 (CN) 2008 3 0129437

DESCRIPTION

(51) **LOC (9) Cl.** **10-04**

FIG. 1 is a front view of a sight glass applied in refrigeration system comprising a new, original and ornamental design;

(52) **U.S. Cl.** **D10/101; D10/102**

FIG. 2 is a left-hand side view of a sight glass applied in refrigeration system comprising the new, original and ornamental design, the right-hand side view being a mirror image thereof;

(58) **Field of Classification Search** D10/46, D10/101–102; 73/323, 325, 326, 327, 334; 116/274; 137/359, 528, 550; 220/614, 663
See application file for complete search history.

FIG. 3 is a top view of a sight glass applied in refrigeration system comprising the new, original and ornamental design;

(56) **References Cited**

U.S. PATENT DOCUMENTS

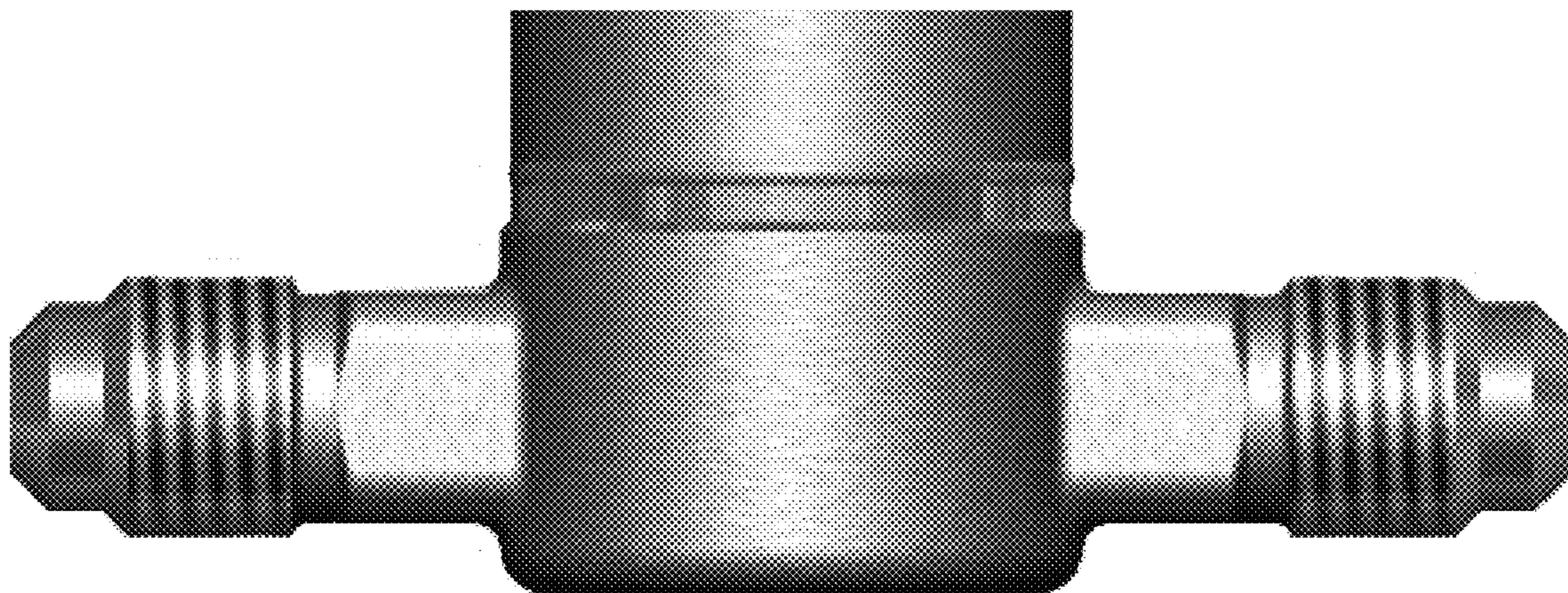
- 4,064,826 A 12/1977 Pauli
- 4,888,990 A * 12/1989 Bryan et al. 73/326
- 5,383,338 A 1/1995 Bowsky et al.
- D412,454 S * 8/1999 Berkelhammer D10/103
- 6,116,274 A * 9/2000 Ehrlich 137/559
- D495,265 S 8/2004 Kim
- D519,867 S 5/2006 Kim
- 7,540,187 B1 * 6/2009 Dillon 73/327

FIG. 4 is a bottom view of a sight glass applied in refrigeration system comprising the new, original and ornamental design;

FIG. 5 is a perspective view of a sight glass applied in refrigeration system comprising the new, original and ornamental design; and,

FIG. 6 is a rear view of a sight glass applied in refrigeration system comprising the new, original and ornamental design.

1 Claim, 2 Drawing Sheets



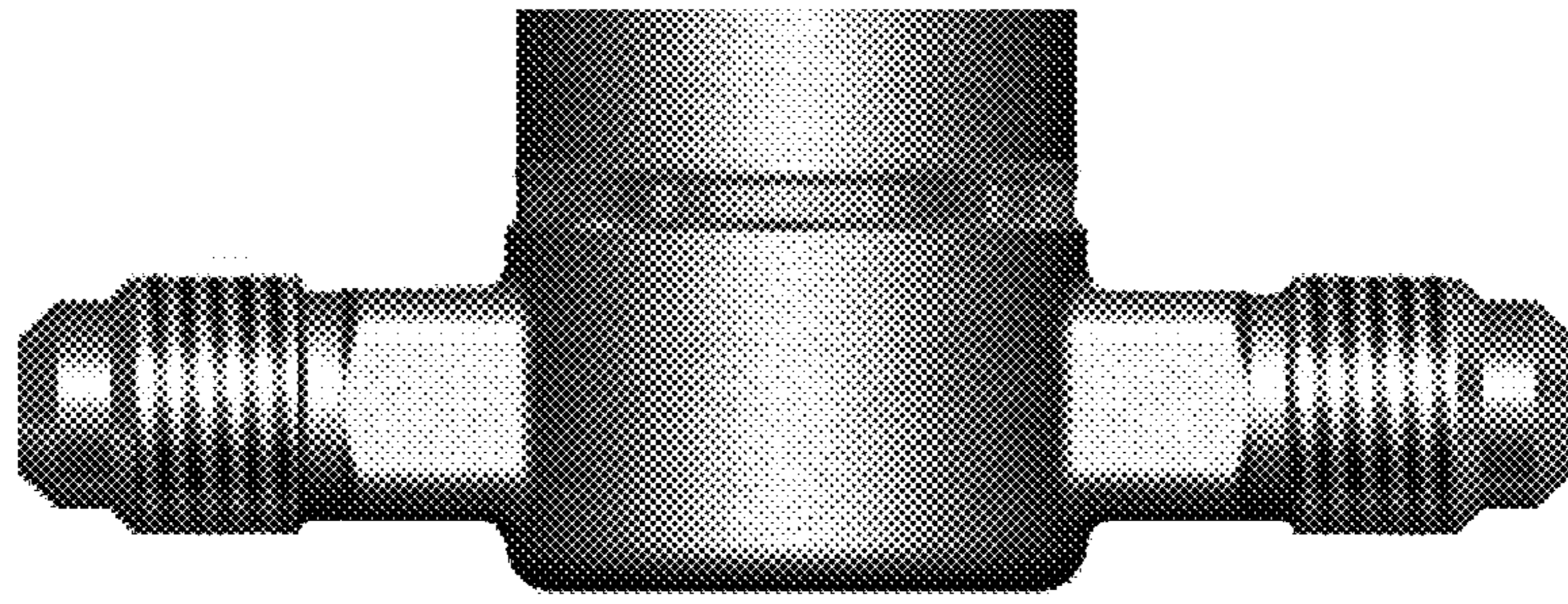


FIG. 1

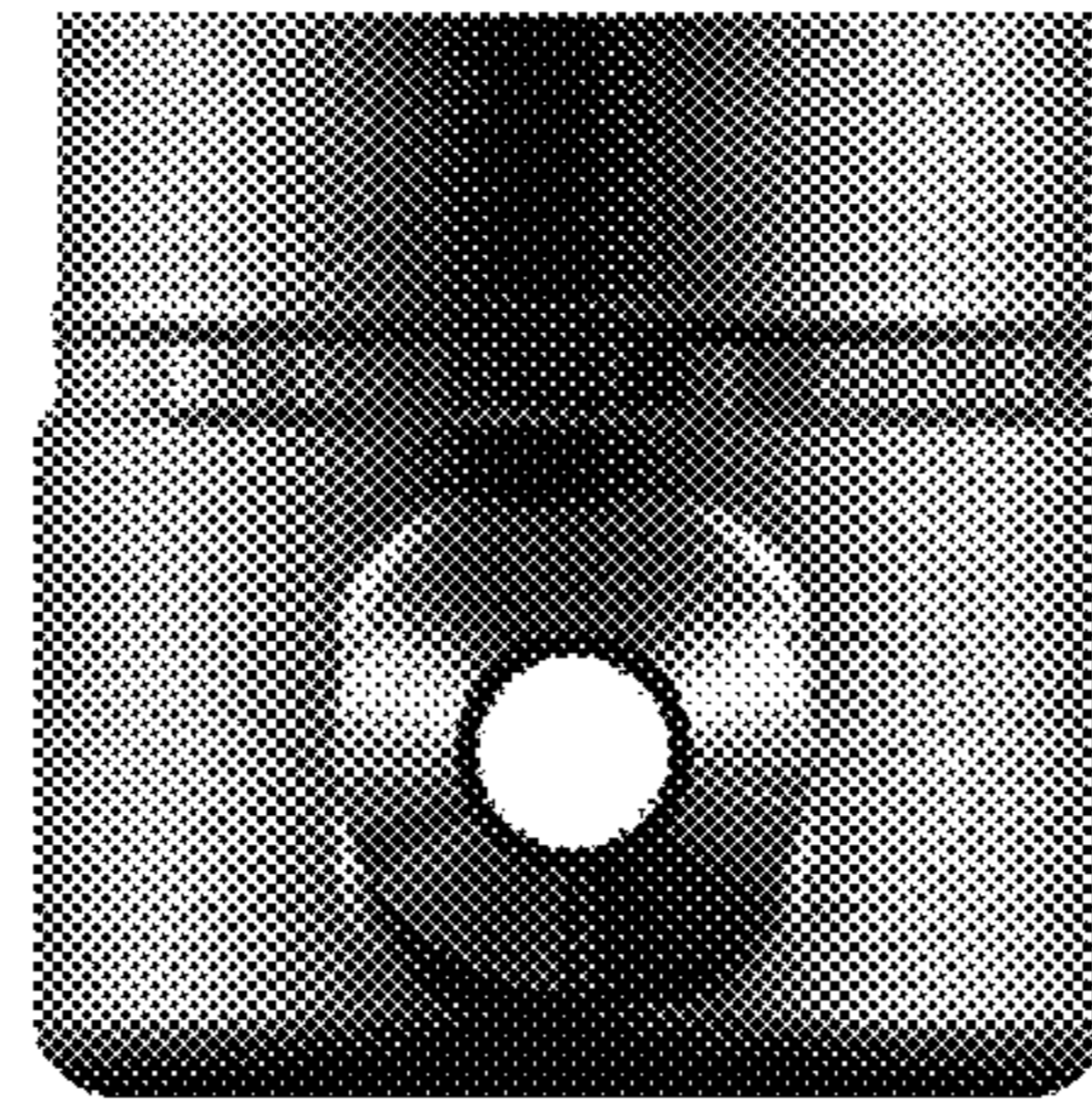


FIG. 2

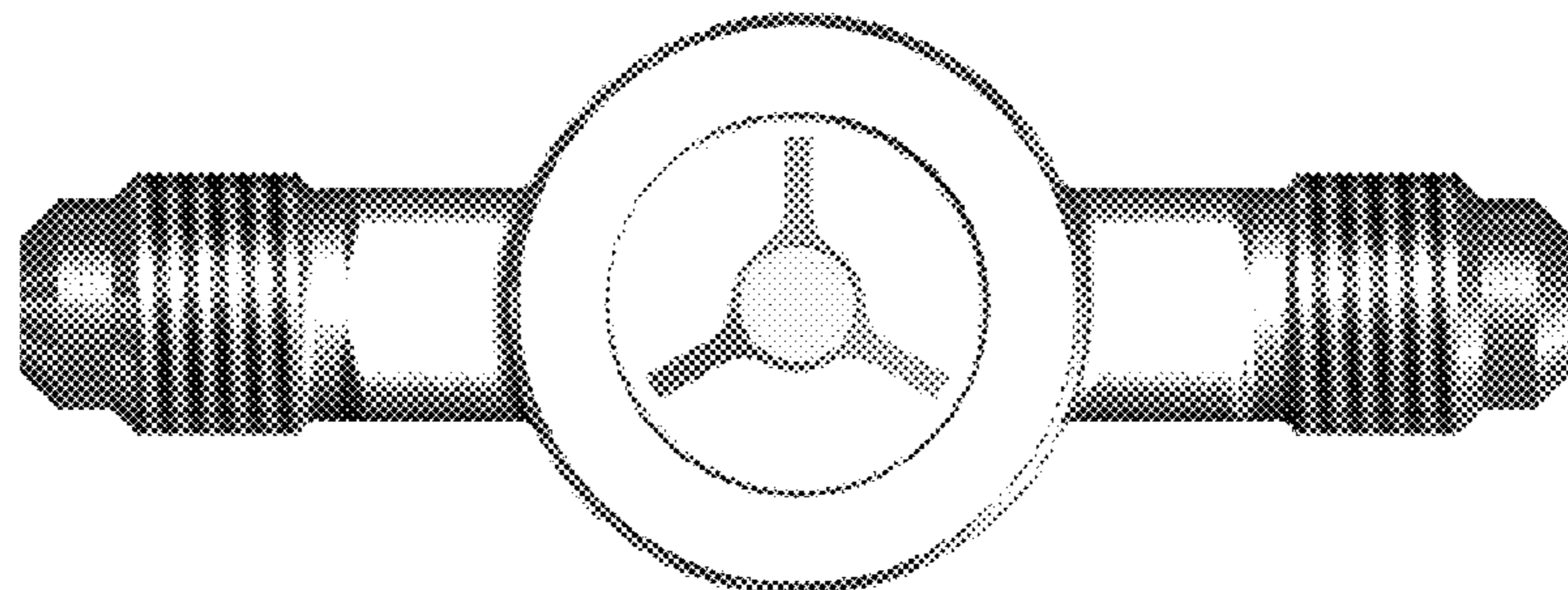


FIG. 3

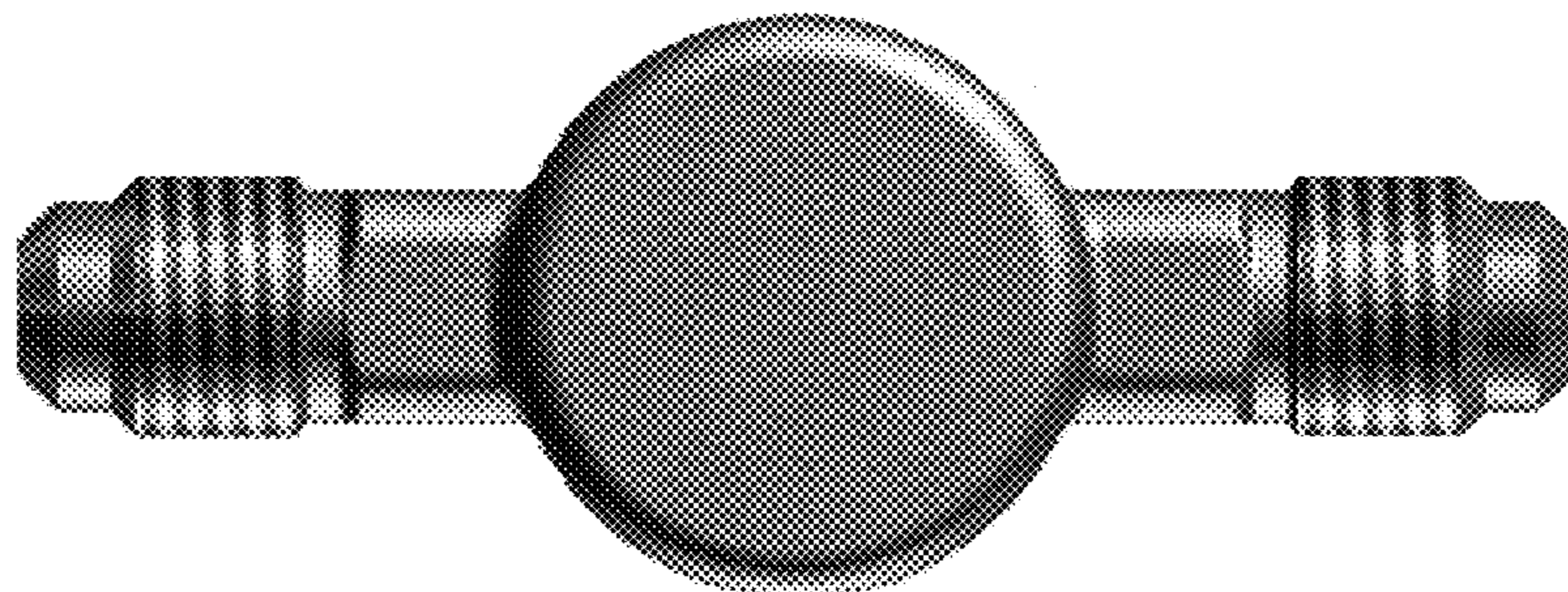


FIG. 4

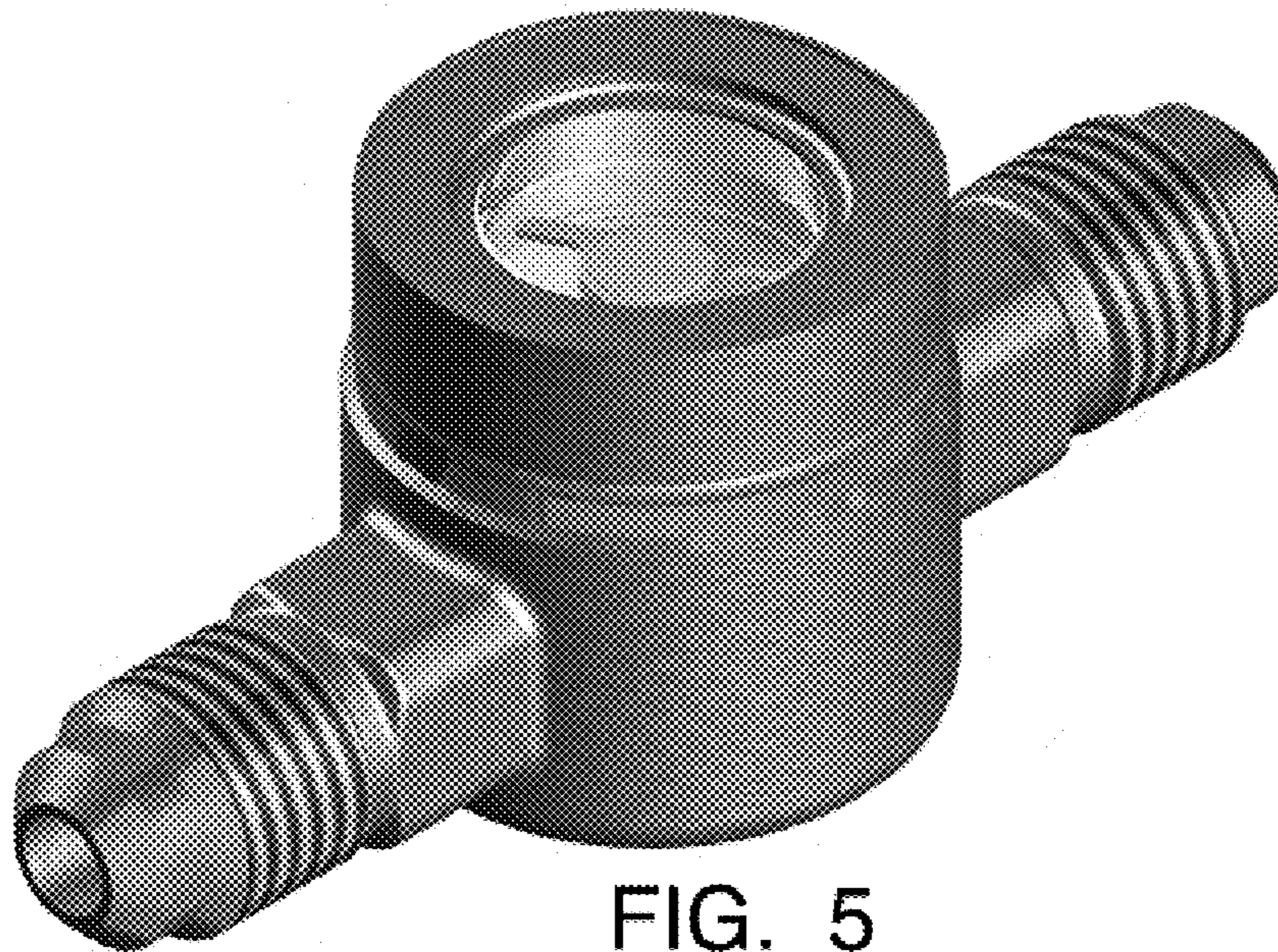


FIG. 5

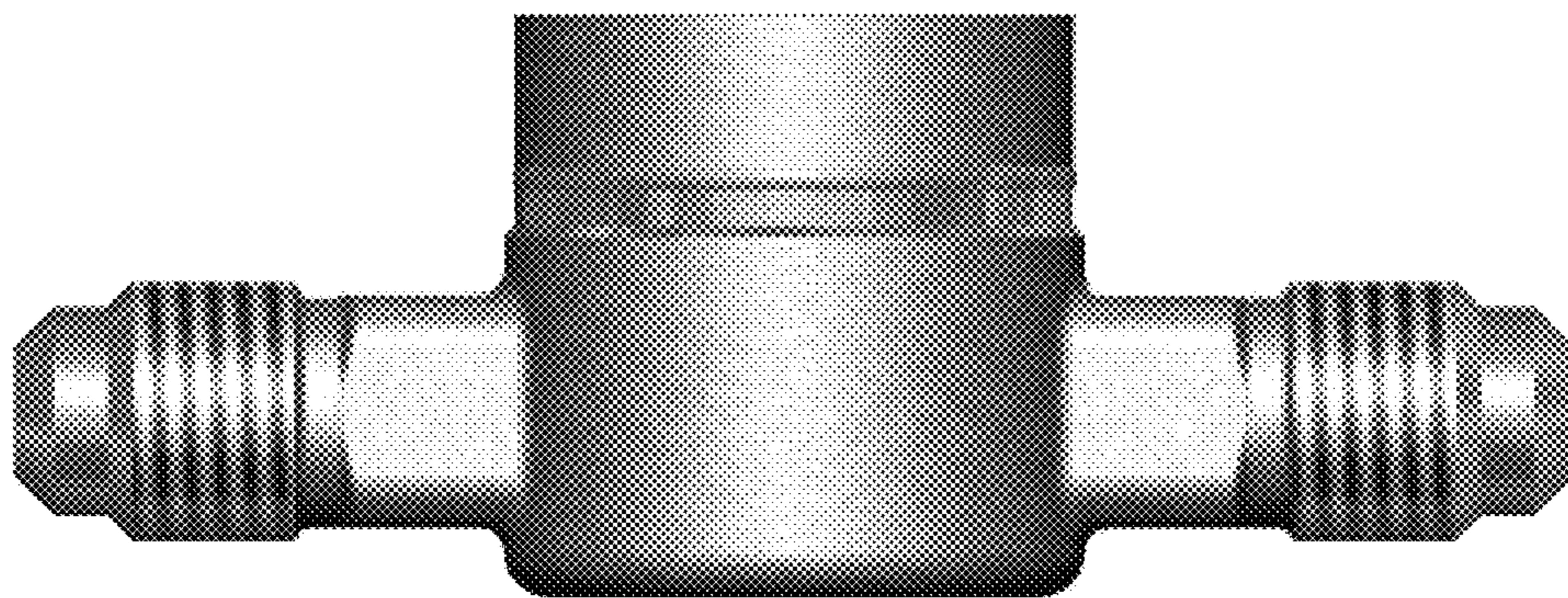


FIG. 6