



US00D606436S

(12) **United States Design Patent**
Rogers

(10) **Patent No.:** **US D606,436 S**

(45) **Date of Patent:** **** Dec. 22, 2009**

(54) **FISHING SCALE**

(76) Inventor: **Thomas W. Rogers**, 1534 Rosella Ct.,
Brentwood, TN (US) 37207

(**) Term: **14 Years**

(21) Appl. No.: **29/314,224**

(22) Filed: **Mar. 17, 2009**

(51) **LOC (9) Cl.** **10-04**

(52) **U.S. Cl.** **D10/89**

(58) **Field of Classification Search** D10/87-89;
177/25.13, 131, 148, 225, 232, 233, 238-246
See application file for complete search history.

(56) **References Cited**

U.S. PATENT DOCUMENTS

D260,006	S	*	7/1981	Woo	D10/88
4,936,399	A	*	6/1990	Christman et al.	177/210 C
D331,712	S	*	12/1992	Scribner	D10/83
D341,096	S	*	11/1993	Squire	D10/90
6,043,438	A	*	3/2000	Helberg	177/148
D458,858	S	*	6/2002	Thadani	D10/89
D502,657	S	*	3/2005	Liao	D10/89
7,173,197	B1	*	2/2007	Kasperek	177/131

7,232,961	B1	*	6/2007	Godshaw et al.	177/131
D549,604	S	*	8/2007	Barnes et al.	D10/89
D572,616	S	*	7/2008	Godshaw et al.	D10/89
7,408,125	B2	*	8/2008	Lentine	177/148
D592,983	S	*	5/2009	Schantz	D10/89

* cited by examiner

Primary Examiner—Raphael Barkai

Assistant Examiner—Randall H Gholson

(74) *Attorney, Agent, or Firm*—Charles M. Kaplan

(57) **CLAIM**

The ornamental design for a fishing scale, as shown and described.

DESCRIPTION

FIG. 1 is a front plan view of a fishing scale embodying my new design;

FIG. 2 is a rear plan view of the fishing scale;

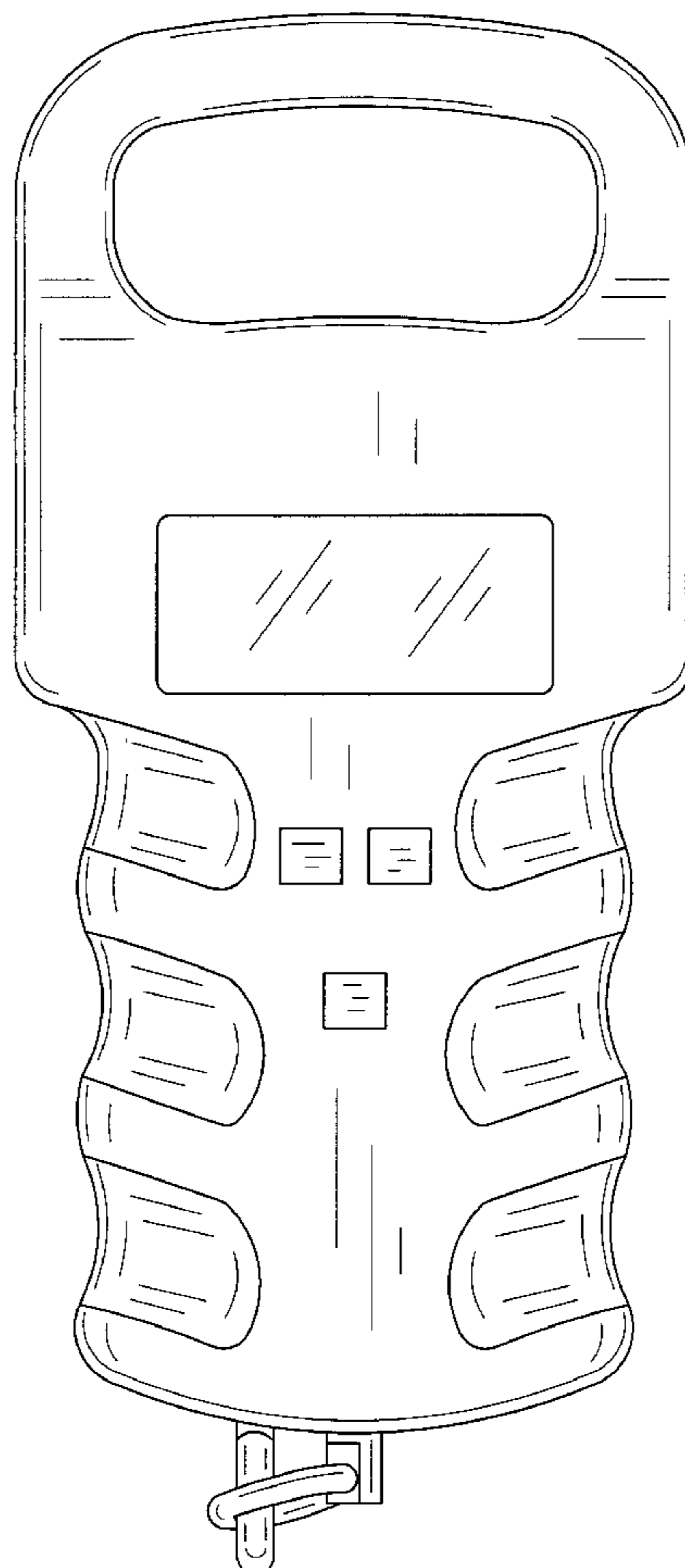
FIG. 3 is a side elevational view of the fishing scale;

FIG. 4 is an elevational view of the opposite side;

FIG. 5 is a top view of the fishing scale; and,

FIG. 6 is a bottom view of the fishing scale.

1 Claim, 5 Drawing Sheets



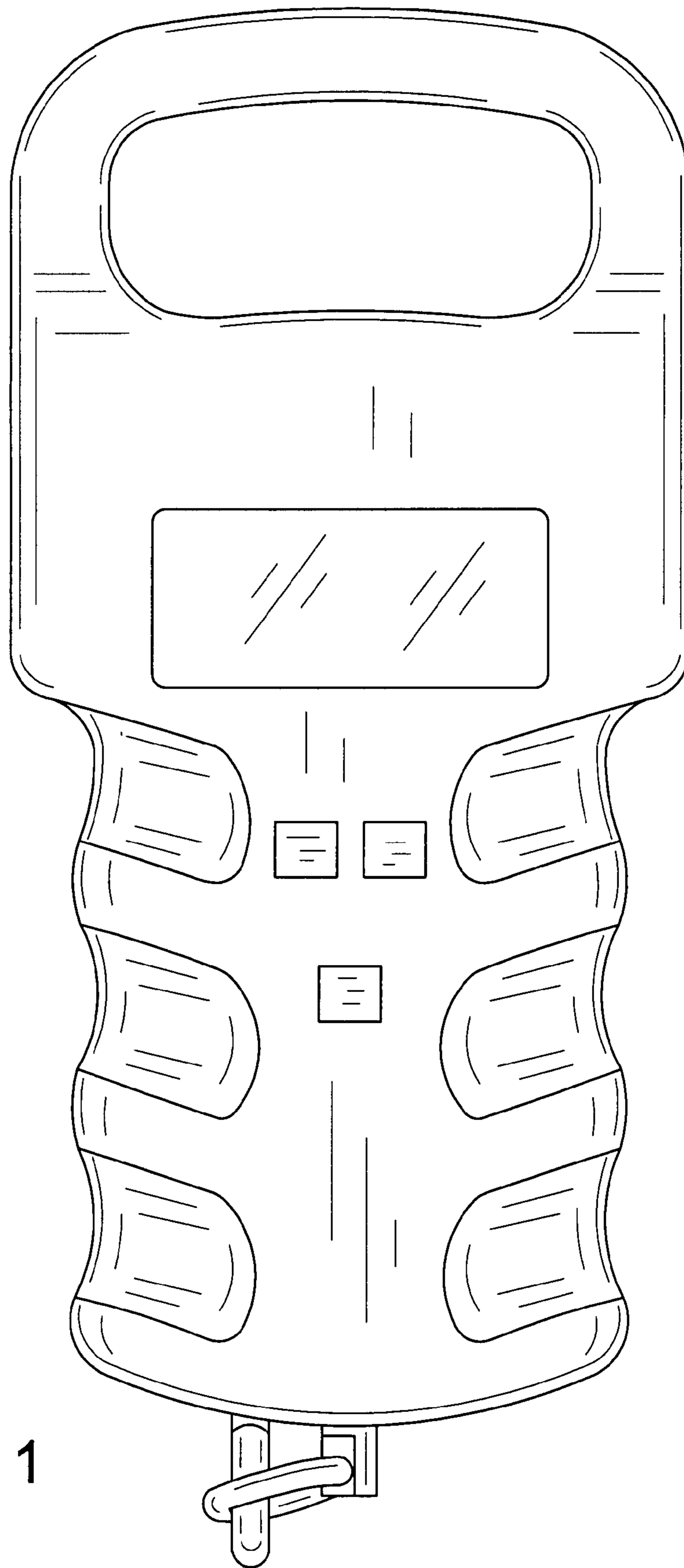


FIG. 1

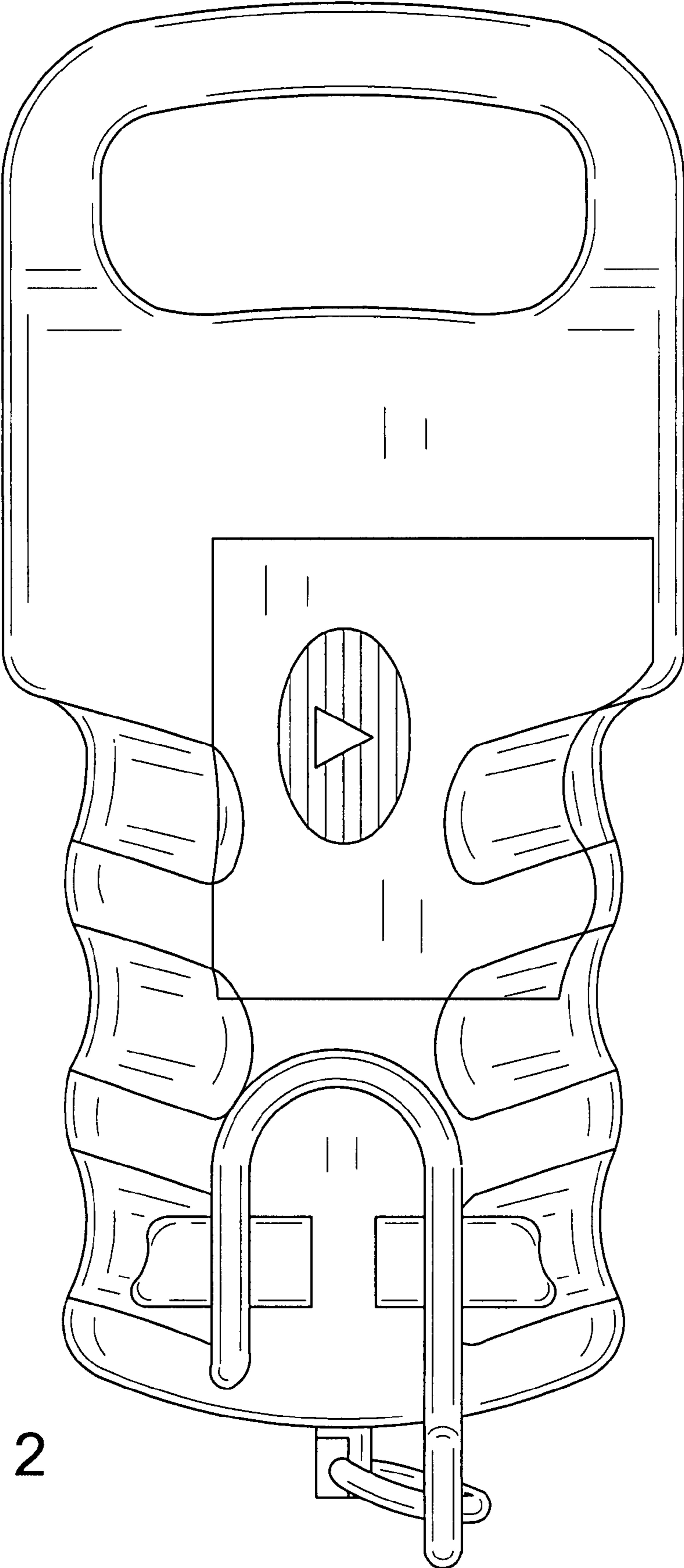


FIG. 2

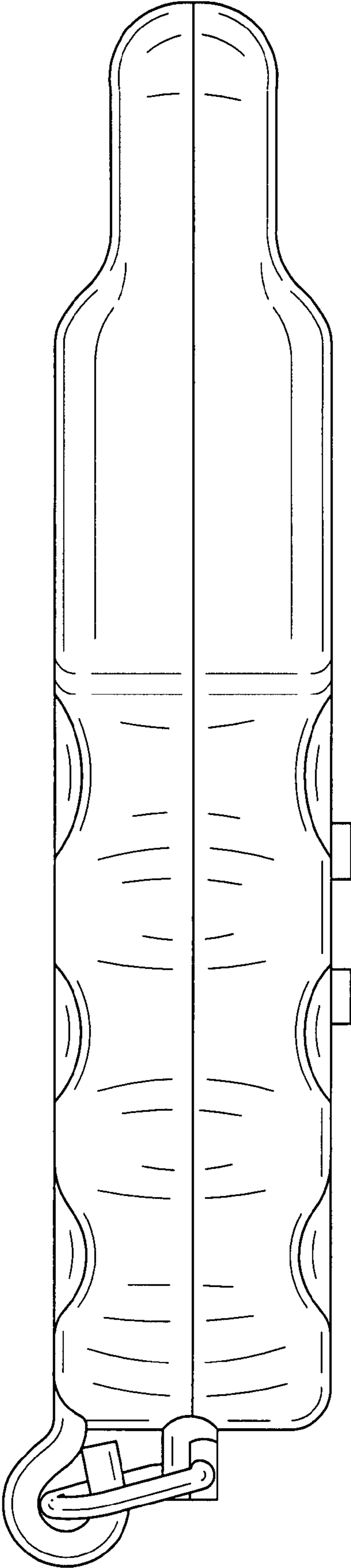


FIG. 3

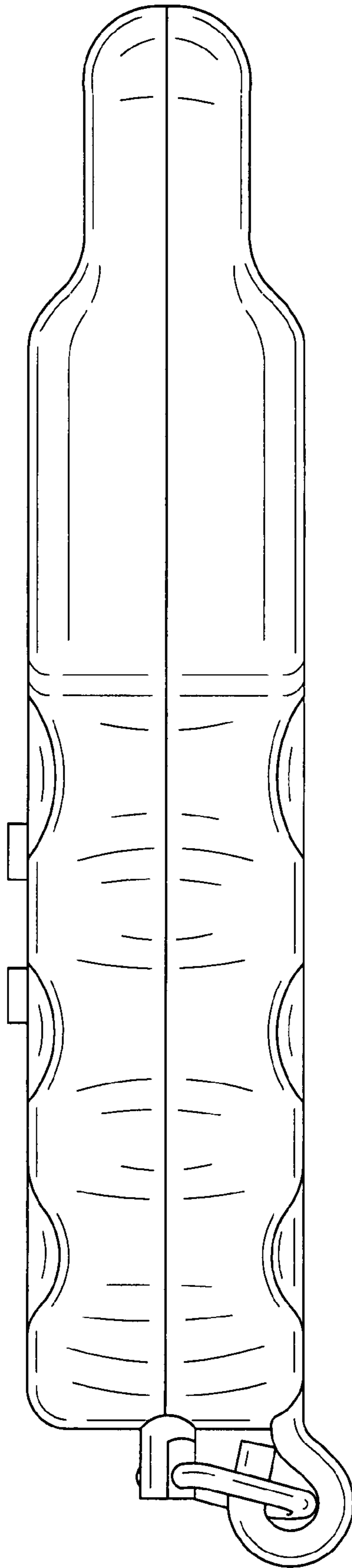


FIG. 4

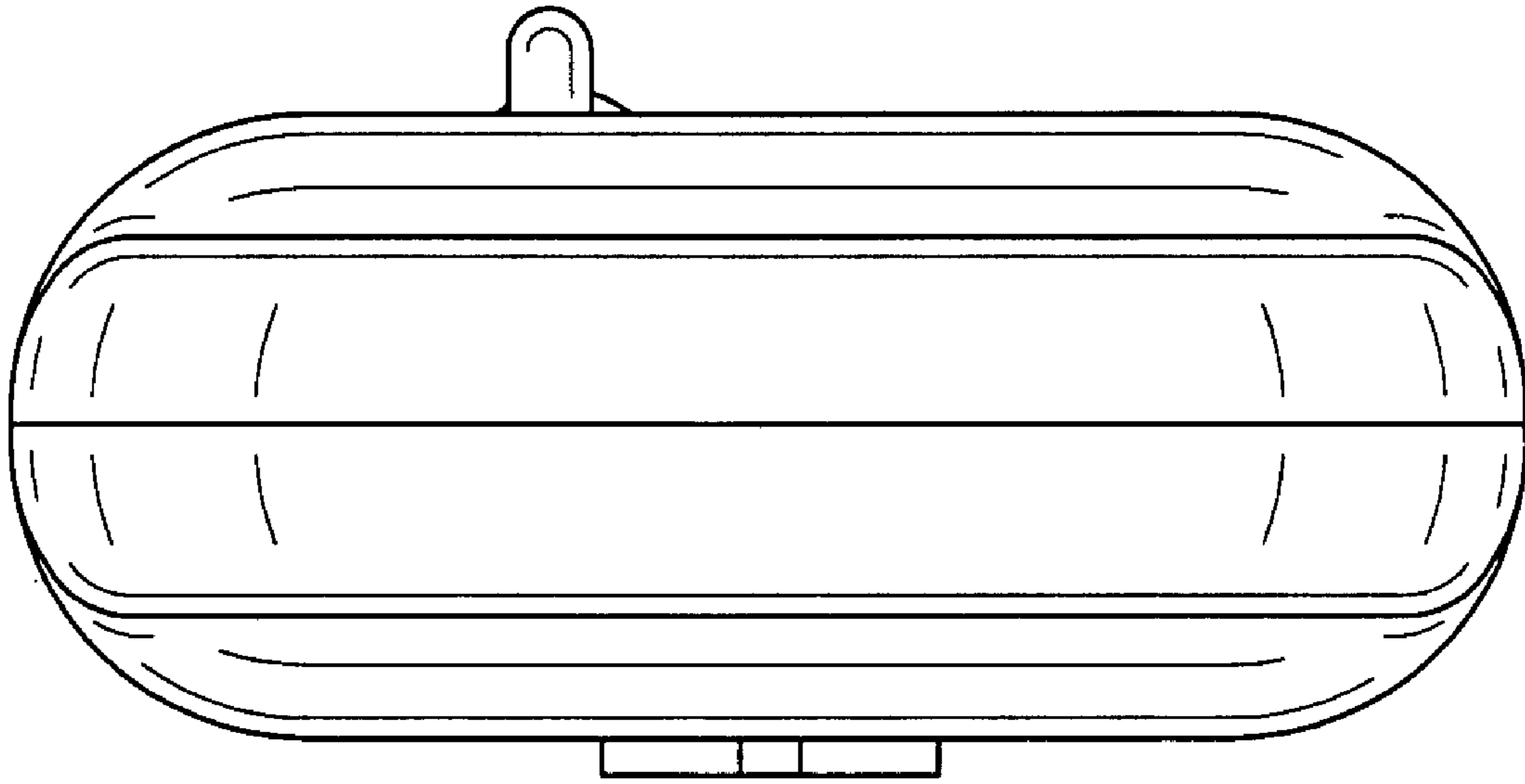


FIG. 5

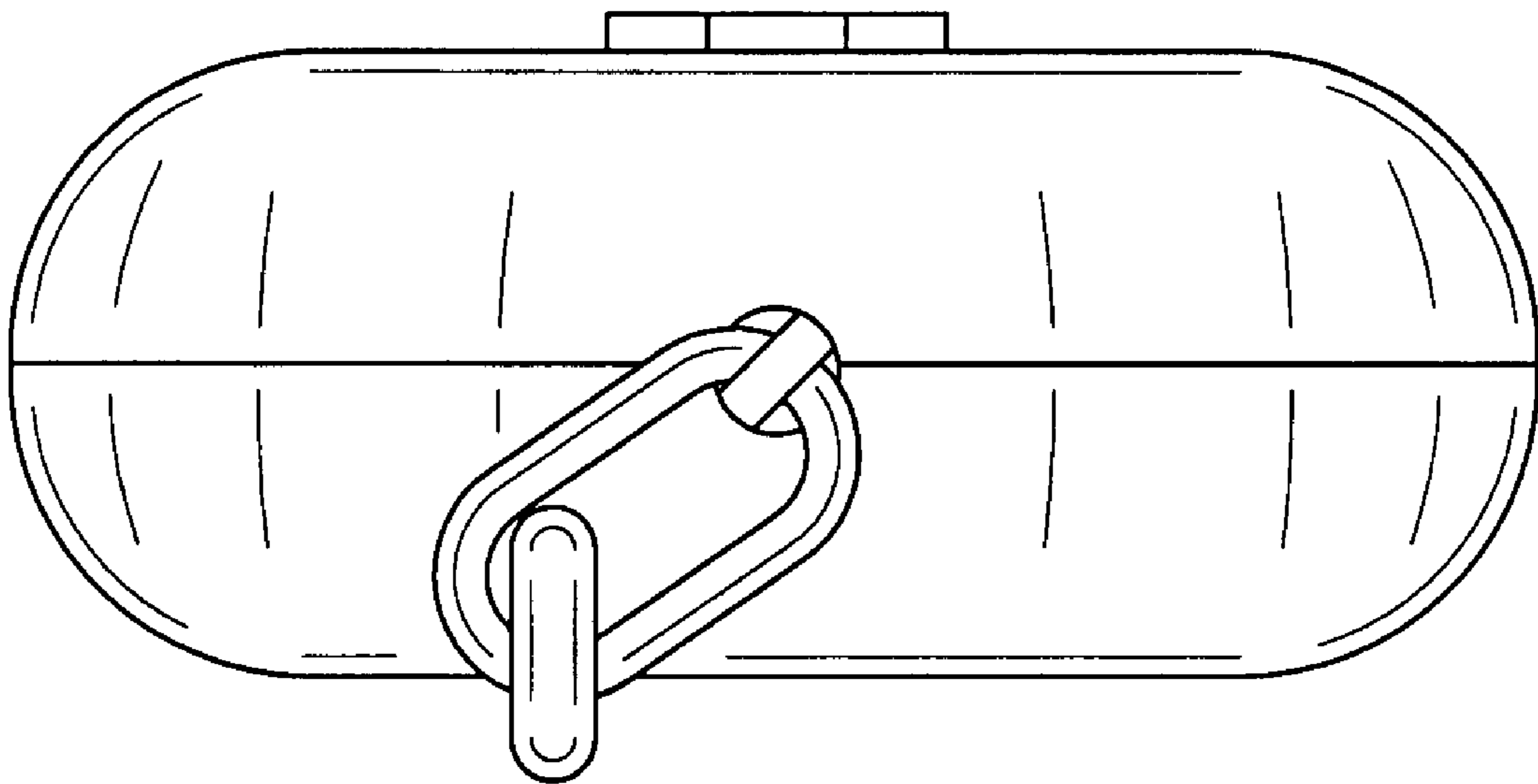


FIG. 6