



US00D606433S

(12) **United States Design Patent**  
**Whitcomb et al.**

(10) **Patent No.:** **US D606,433 S**

(45) **Date of Patent:** **\*\* Dec. 22, 2009**

(54) **DISPLAY HOUSING FOR VIDEO INSPECTION DEVICE**

(75) Inventors: **Shepherd H. Whitcomb**, Ann Arbor, MI (US); **Paul J. Eckhoff**, South Lyon, MI (US); **Tye L. Newman**, Howell, MI (US); **Owen W. Draper**, West Bloomfield, MI (US)

(73) Assignee: **Perceptron, Inc.**, Plymouth, MI (US)

(\*\*) Term: **14 Years**

(21) Appl. No.: **29/330,133**

(22) Filed: **Dec. 30, 2008**

(51) **LOC (9) Cl.** ..... **10-04**

(52) **U.S. Cl.** ..... **D10/78; D10/104; D10/46**

(58) **Field of Classification Search** ..... D10/46, D10/78, 104; D16/202; 250/208.1, 330, 250/336.1, 338.1, 339.03, 395; 348/65-68, 348/77, 141, 84; 362/1, 109, 294, 373, 399; 713/176; 324/329, 67, 326; 73/623, 865.8  
See application file for complete search history.

(56) **References Cited**

**U.S. PATENT DOCUMENTS**

D510,044 S *	9/2005	Ribeiro et al. ....	D10/78
D518,394 S *	4/2006	Lipscomb et al. ....	D10/78
D570,716 S *	6/2008	Gerold .....	D10/78
D573,042 S *	7/2008	Gatz et al. ....	D10/46
D578,906 S *	10/2008	Gatz et al. ....	D10/46
D579,361 S *	10/2008	Wen .....	D10/78
D596,969 S *	7/2009	Igelmund .....	D10/78

**OTHER PUBLICATIONS**

Solus Pro Diagnostic Scan Tool; commercially available from Snap-On; printed from Snap-on website on Jul. 21, 2008.

Vantage Power Graphing Meter; commercially available from Snap-On; printed from Snap-on website on Jul. 21, 2008.

\* cited by examiner

*Primary Examiner*—Antoine D Davis

(74) *Attorney, Agent, or Firm*—Harness, Dickey & Pierce, P.L.C.

(57) **CLAIM**

The ornamental design for a display housing for a video inspection devices, as shown and described.

**DESCRIPTION**

FIG. 1 is a perspective view of an exemplary video inspection device which embodies a display housing in accordance with the present design;

FIG. 2 is a perspective view of a first embodiment of the display housing;

FIG. 3 is a front view of the first embodiment of the display housing;

FIG. 4 is a back view of the first embodiment of the display housing;

FIG. 5 is a top view of the first embodiment of the display housing;

FIG. 6 is a bottom view of the first embodiment of the display housing;

FIG. 7 is a side view of the first embodiment of the display housing, the other side view being a mirror image thereof;

FIG. 8 is a perspective view of the first embodiment of the display housing with the detachable manipulator separated from the display housing;

FIG. 9 is a view of the first embodiment of the display housing showing the side that attaches to the manipulator;

FIG. 10 is a view of the manipulator showing the side that attaches to the display housing;

FIG. 11 is a perspective view of a second embodiment of the display housing;

FIG. 12 is a front view of the second embodiment of the display housing;

FIG. 13 is a back view of the second embodiment of the display housing;

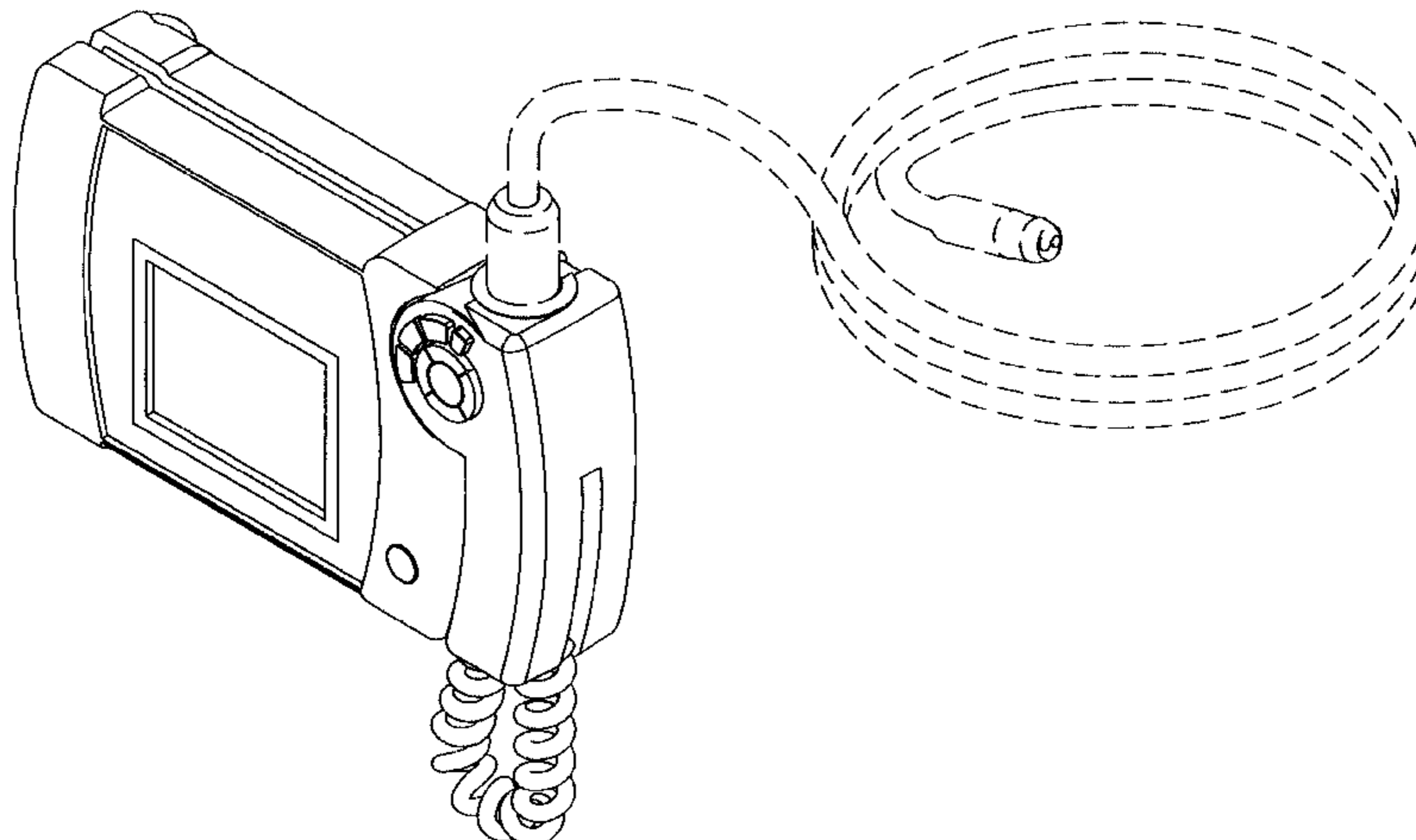


FIG. **14** is a top view of the second embodiment of the display housing;

FIG. **15** is a bottom view of the second embodiment of the display housing;

FIG. **16** is a side view of the second embodiment of the display housing, the other side view being a mirror image thereof;

FIG. **17** is a perspective view of the second embodiment of the display housing with the detachable manipulator separated from the display housing;

FIG. **18** is a view of the second embodiment of the display housing showing the side that attaches to the manipulator; and,

FIG. **19** is a view of the manipulator showing the side that attaches to the second embodiment of the display housing.

It is to be understood that those portions of the display housing shown in broken line in the accompanying figures do not constitute an integral part of the claimed design and, therefore, are disclaimed as part of the claimed design.

**1 Claim, 13 Drawing Sheets**

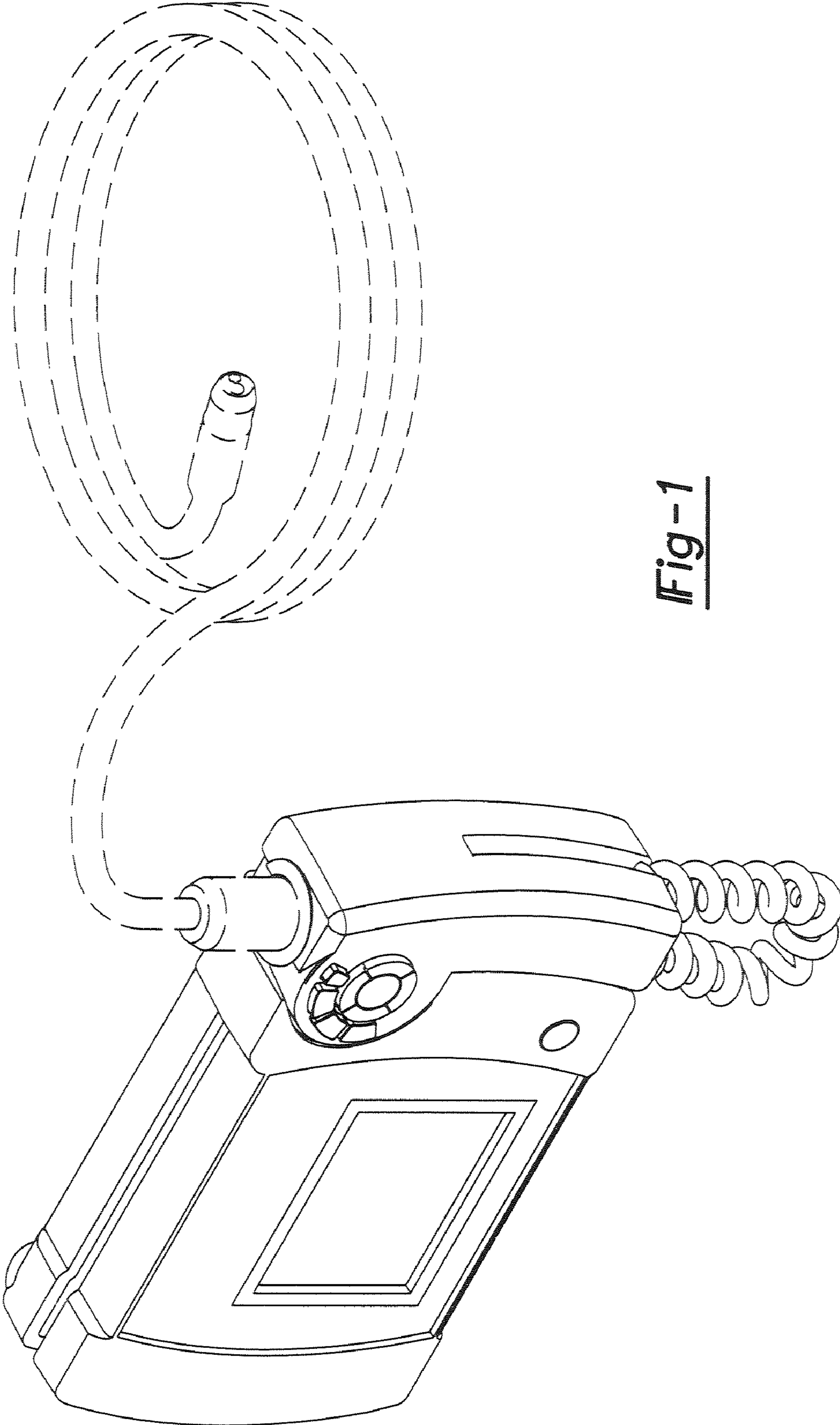


Fig-1

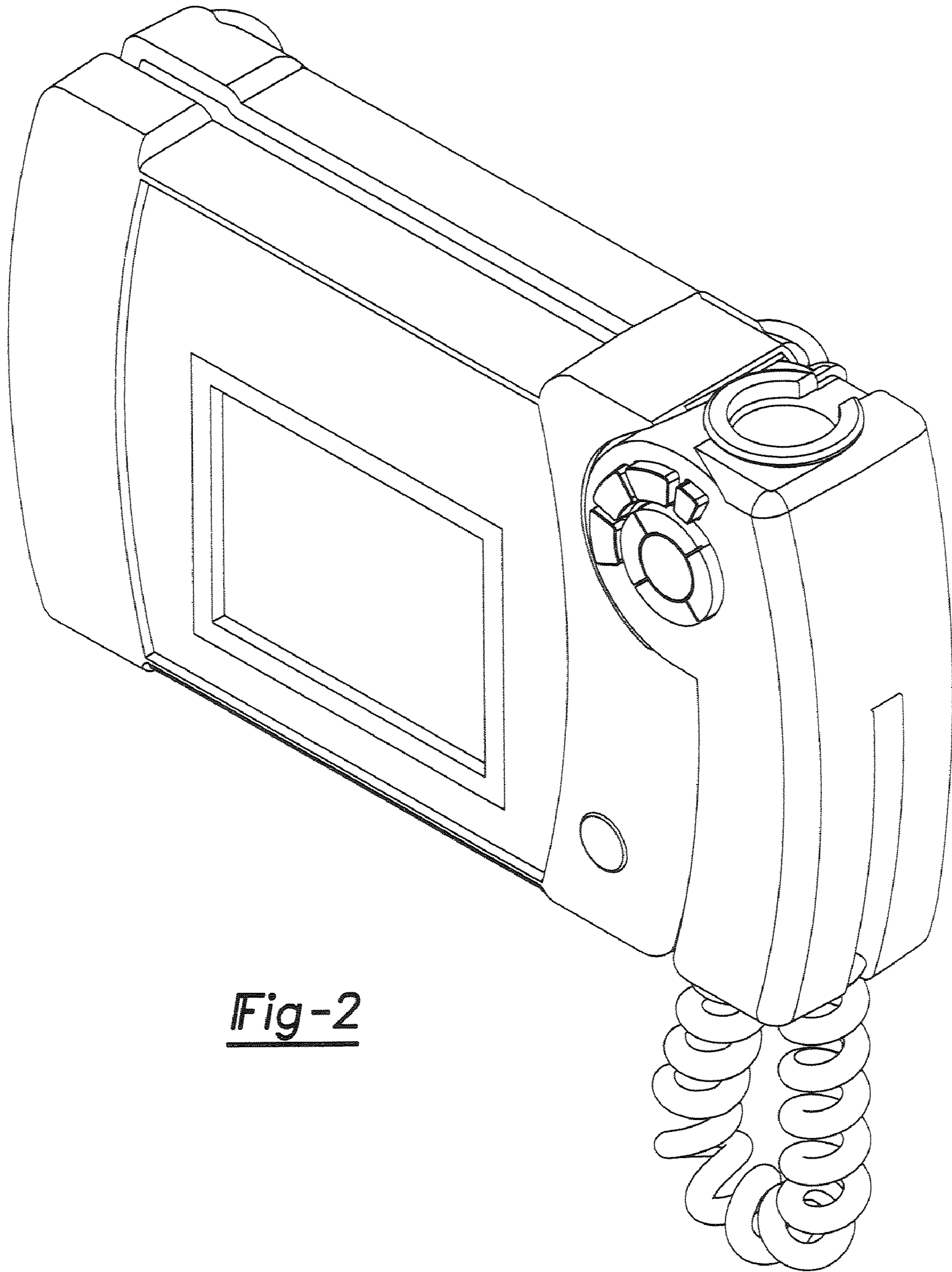


Fig-2

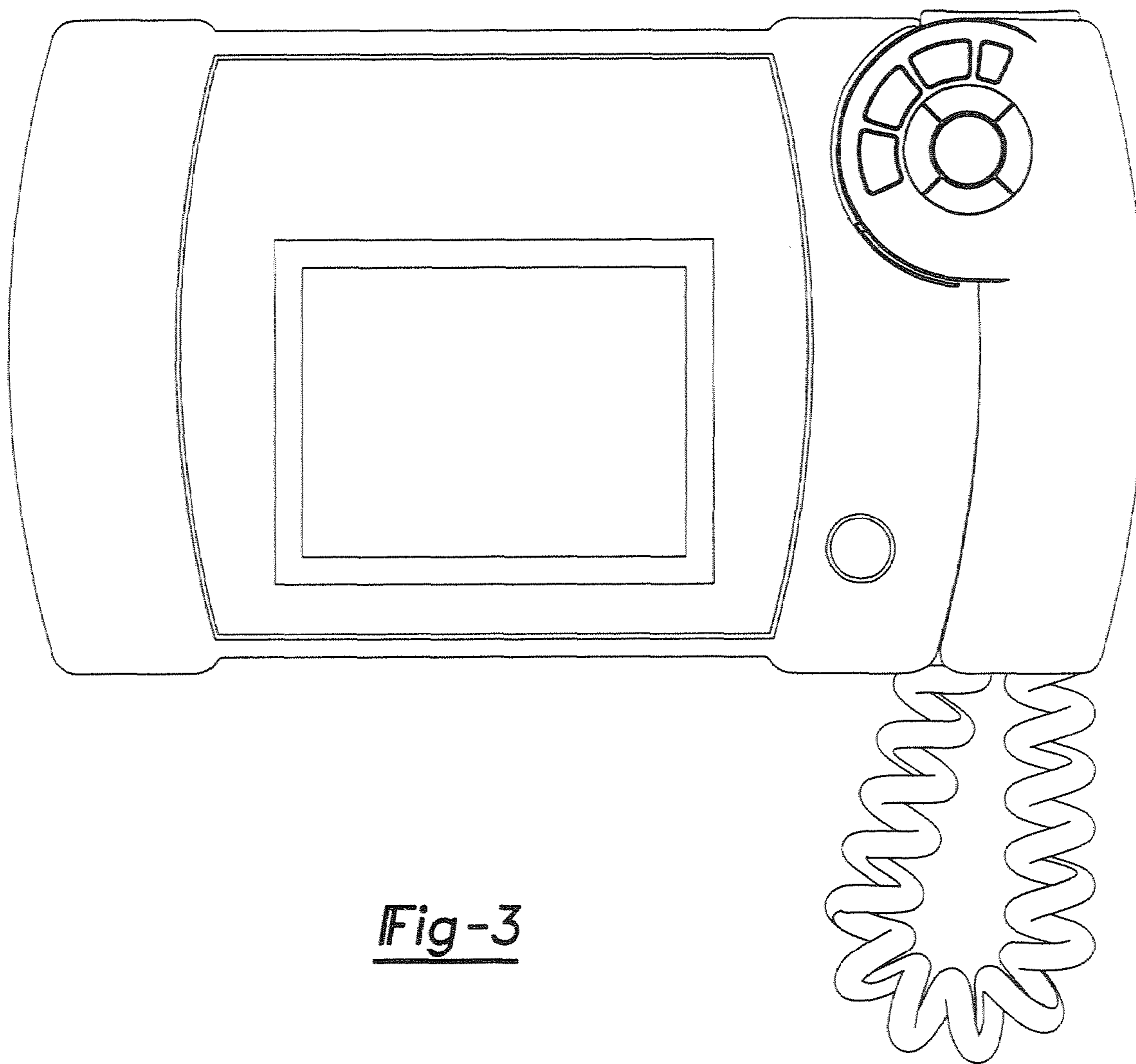


Fig-3

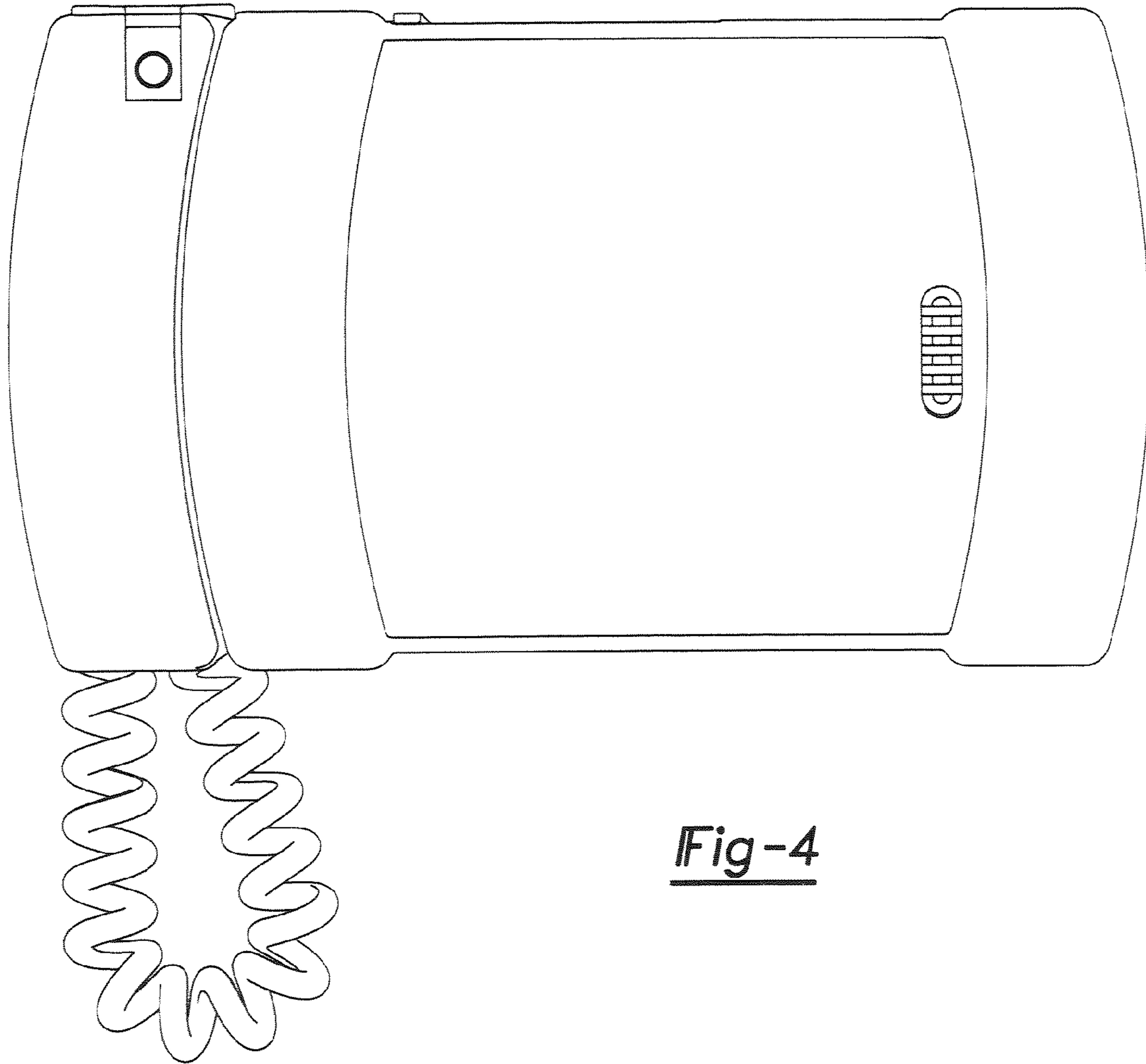


Fig-4

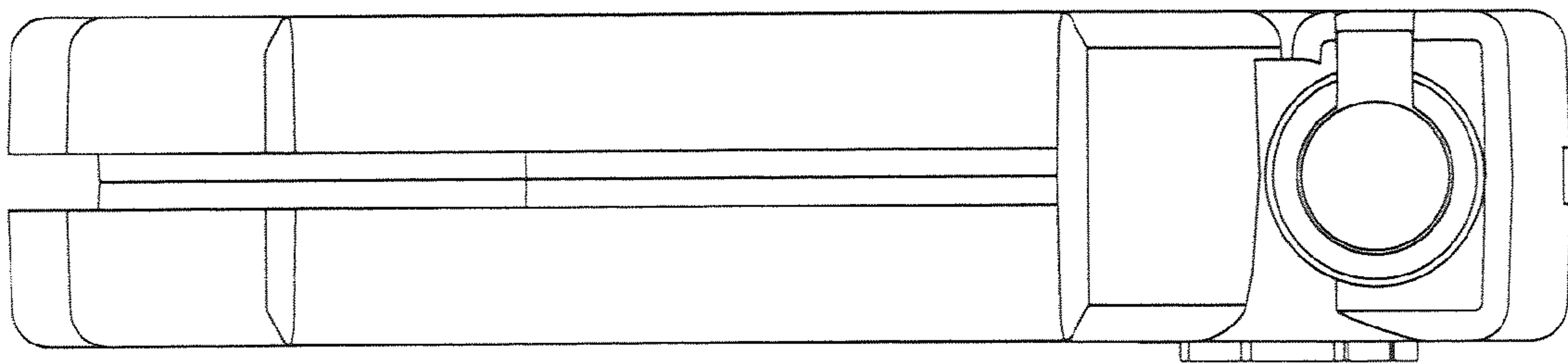


Fig-5

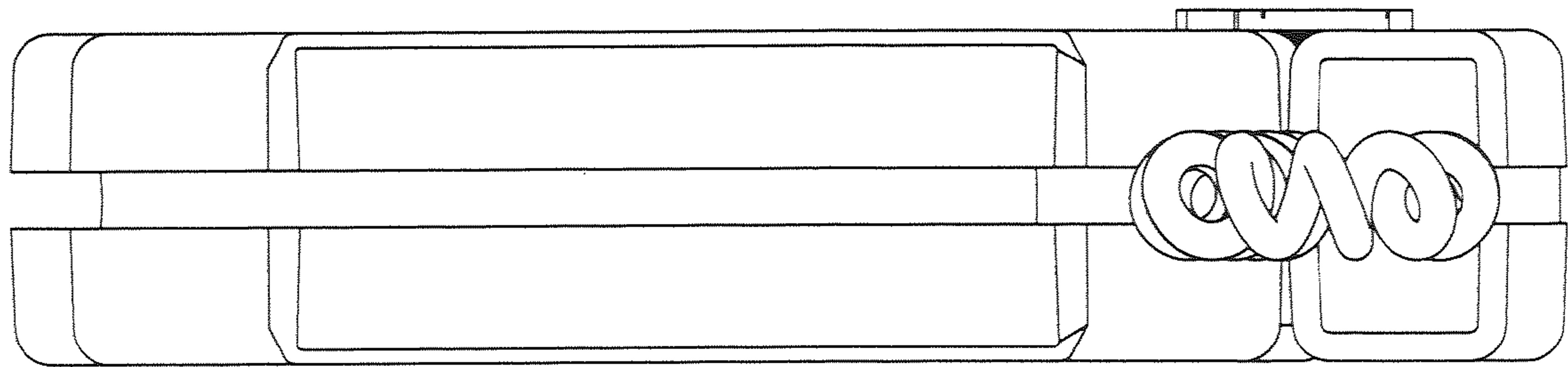


Fig-6

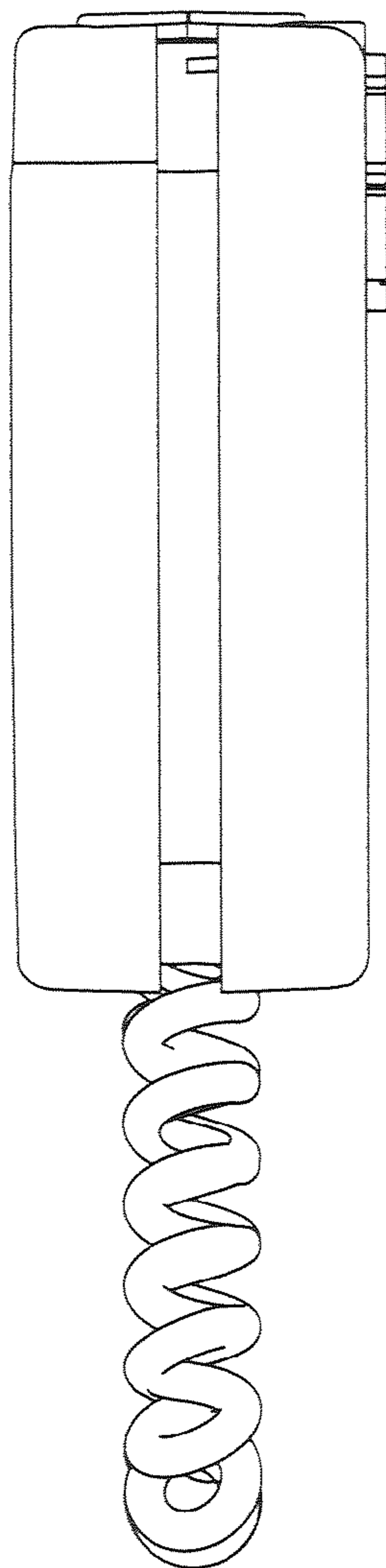
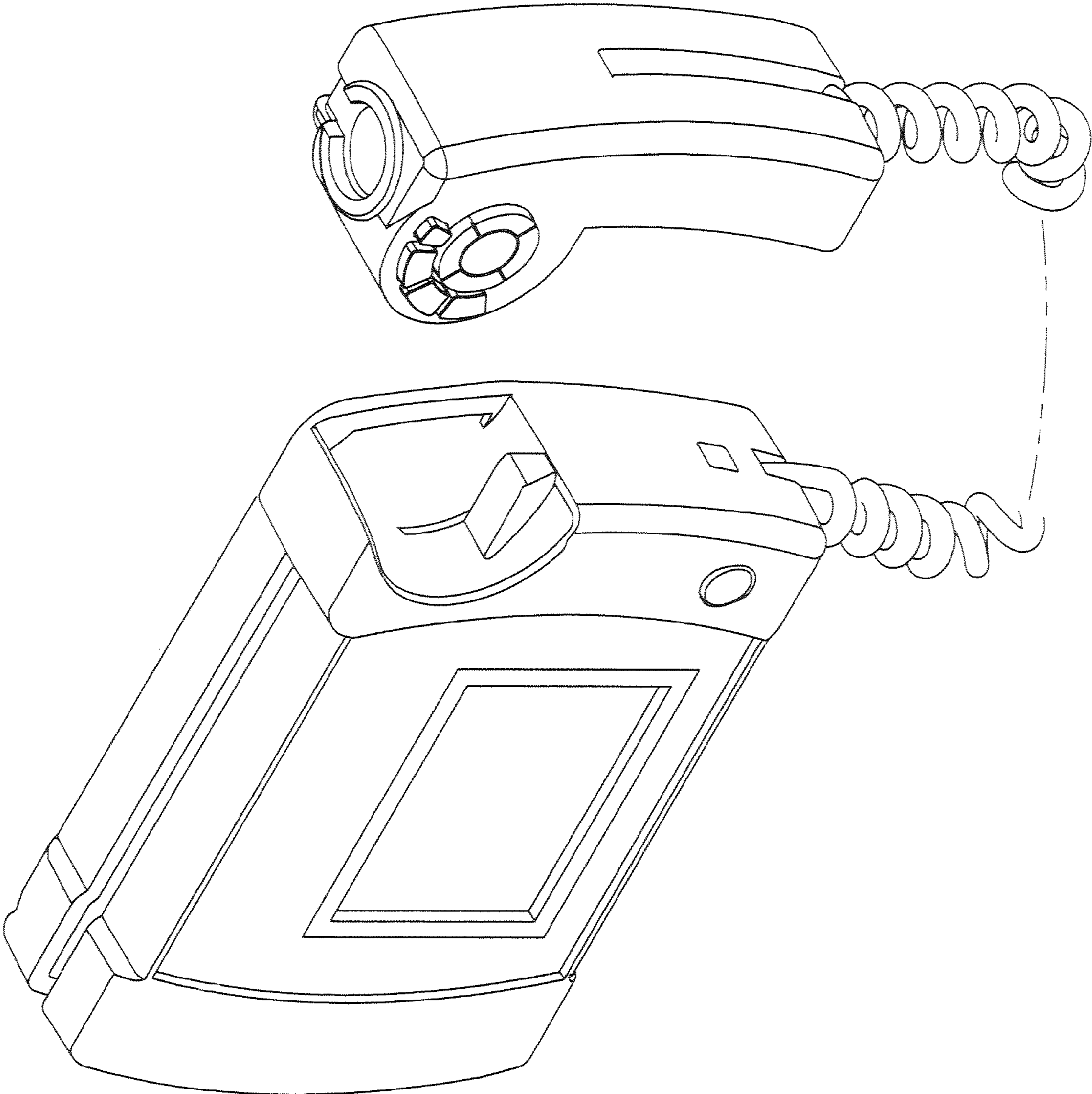


Fig-7

Fig -8





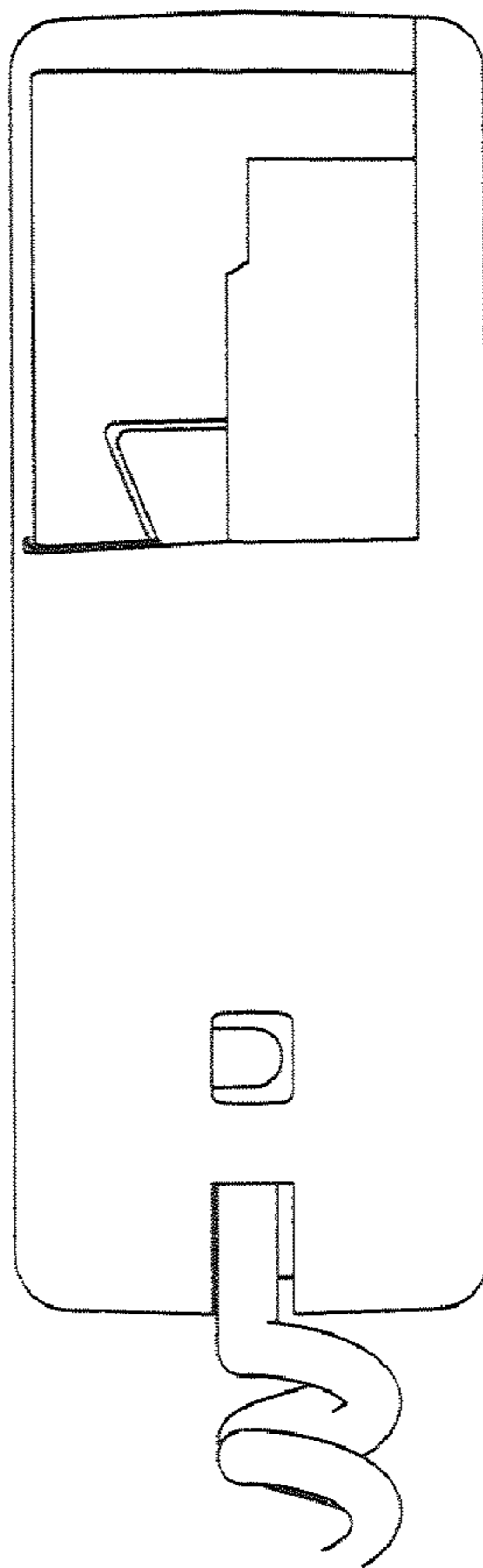


Fig-9

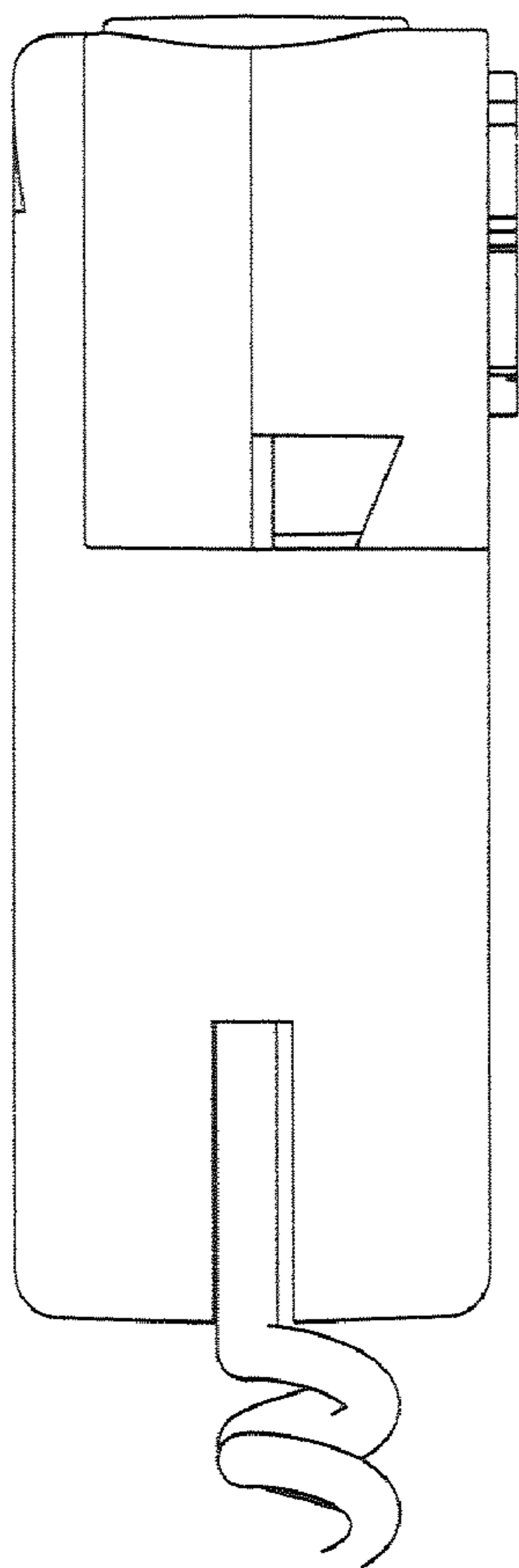


Fig-10

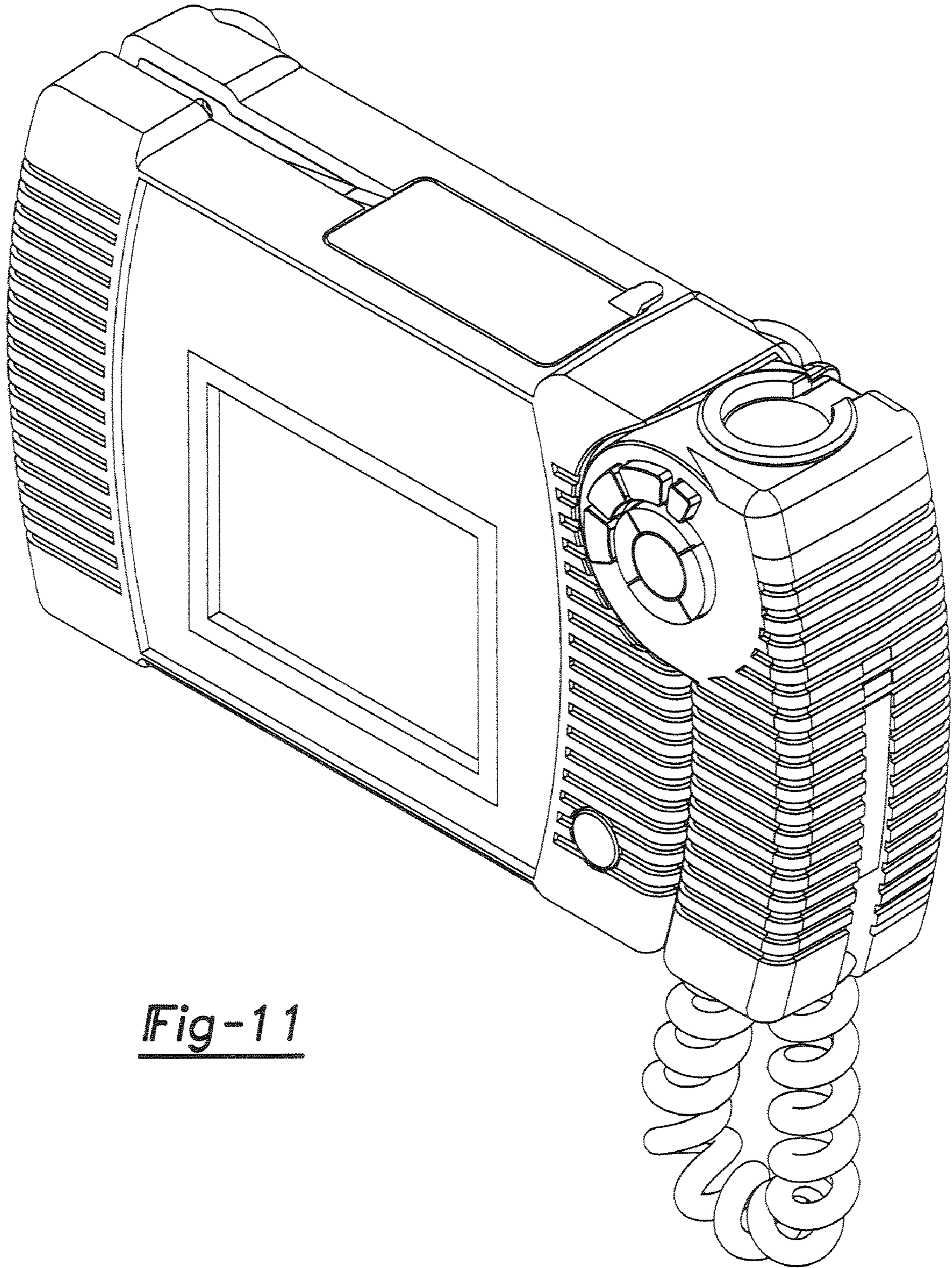


Fig-11

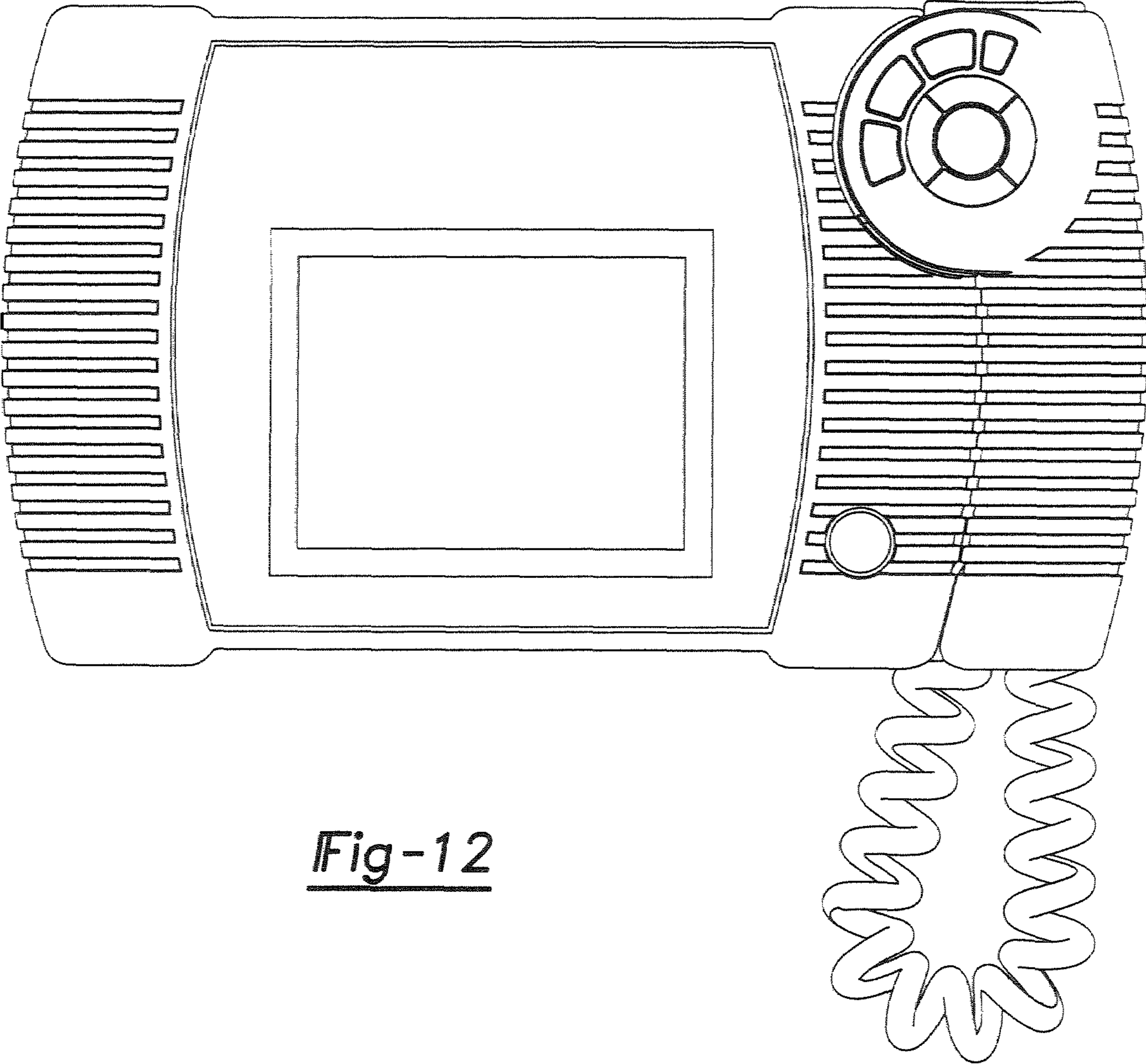


Fig-12

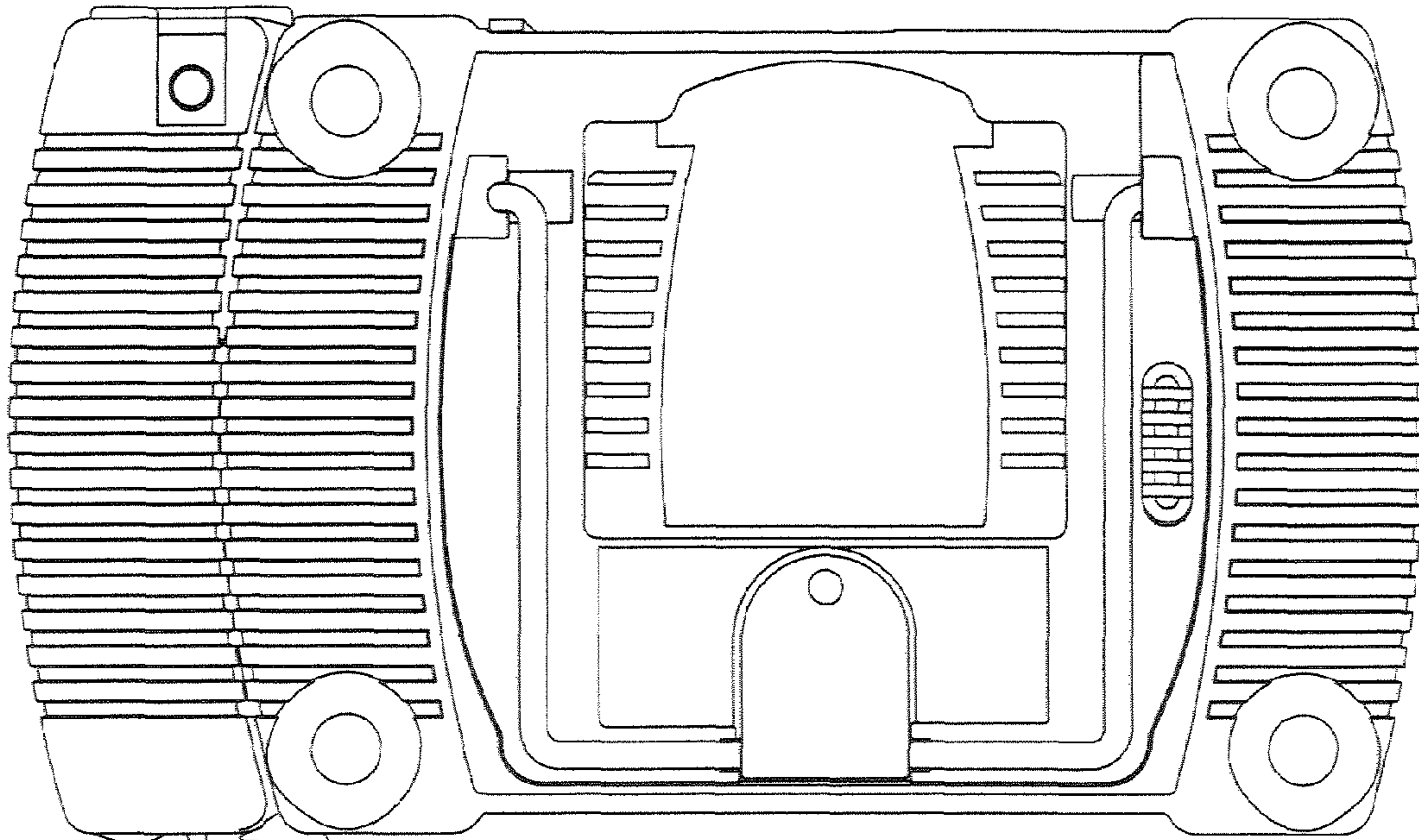


Fig-13

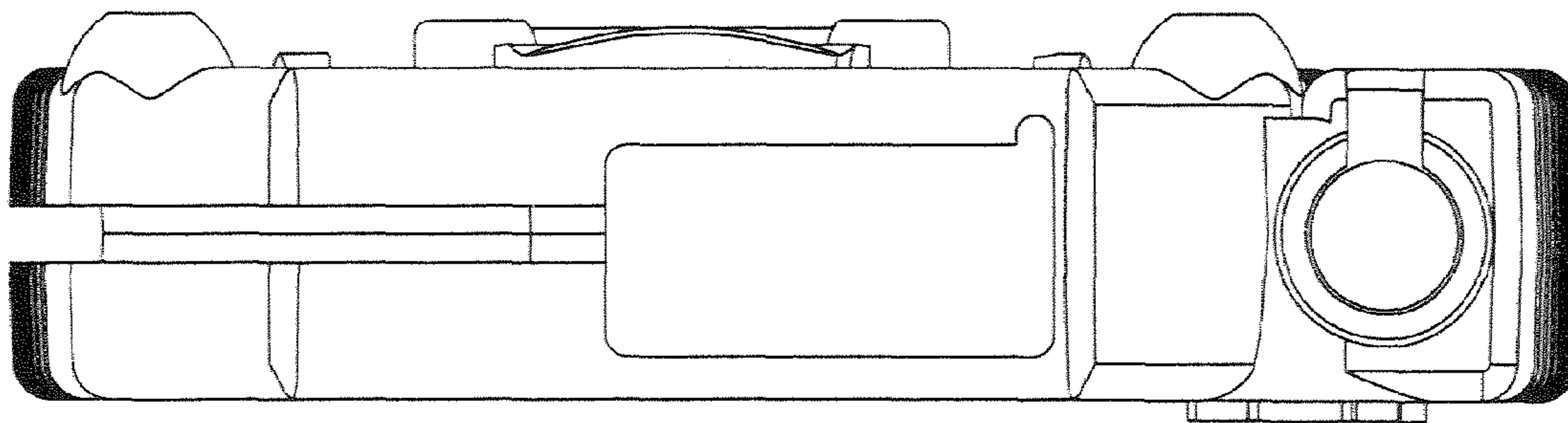


Fig-14

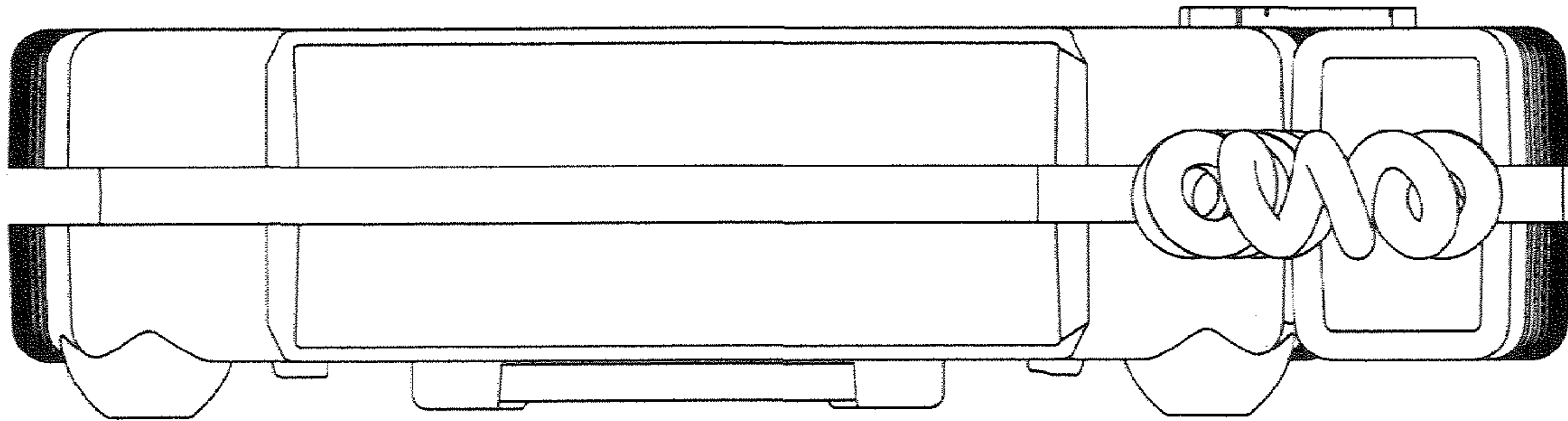


Fig-15

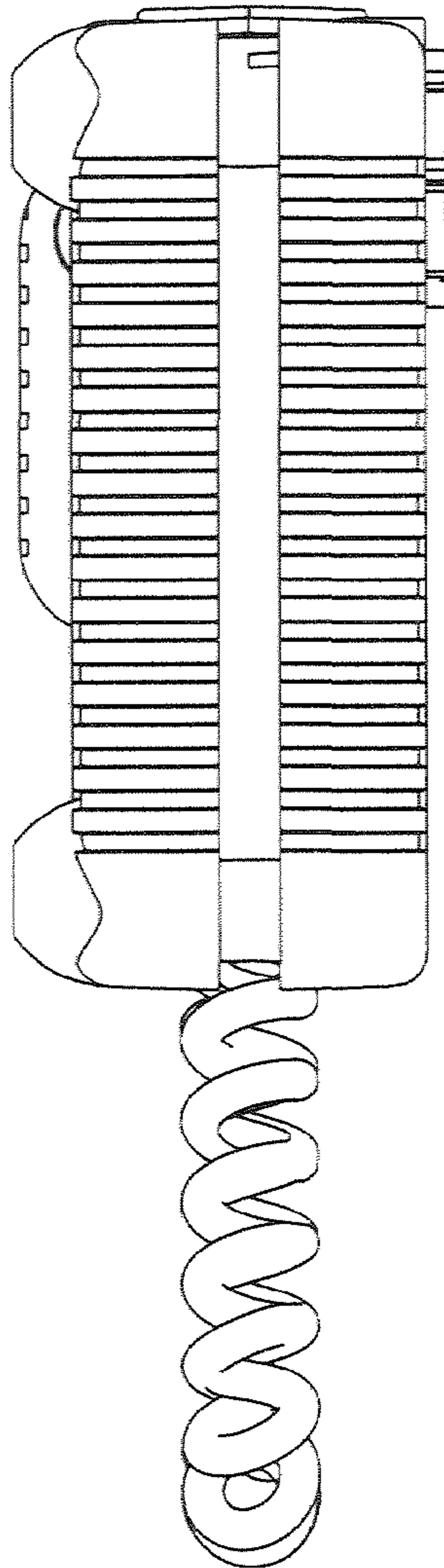
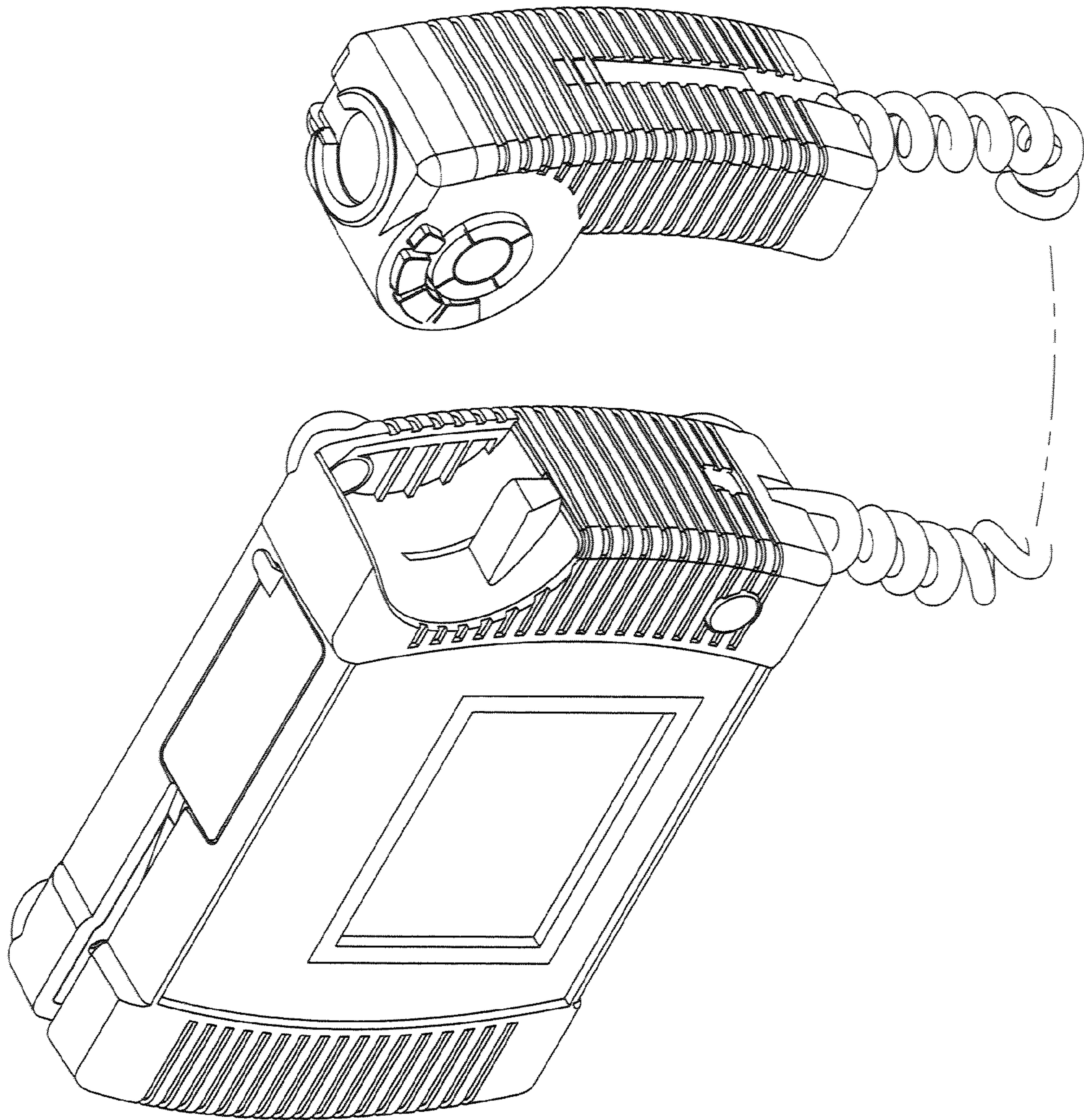


Fig-16

Fig-17



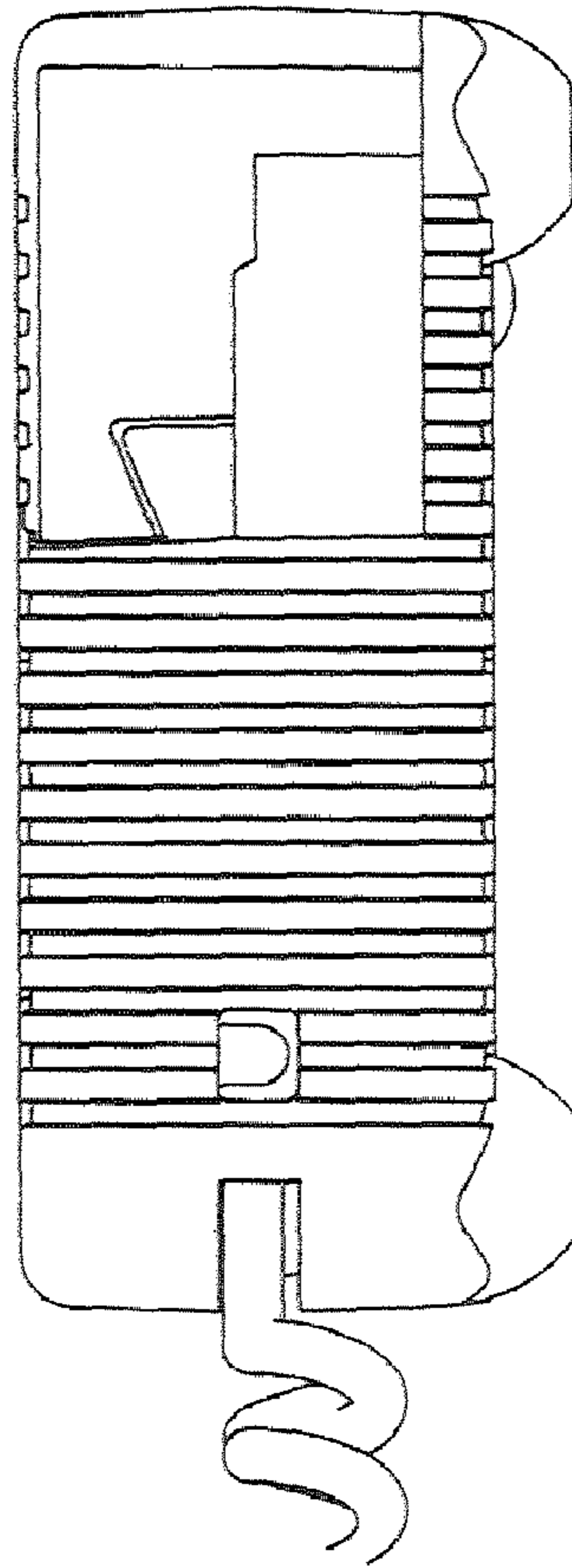


Fig-18

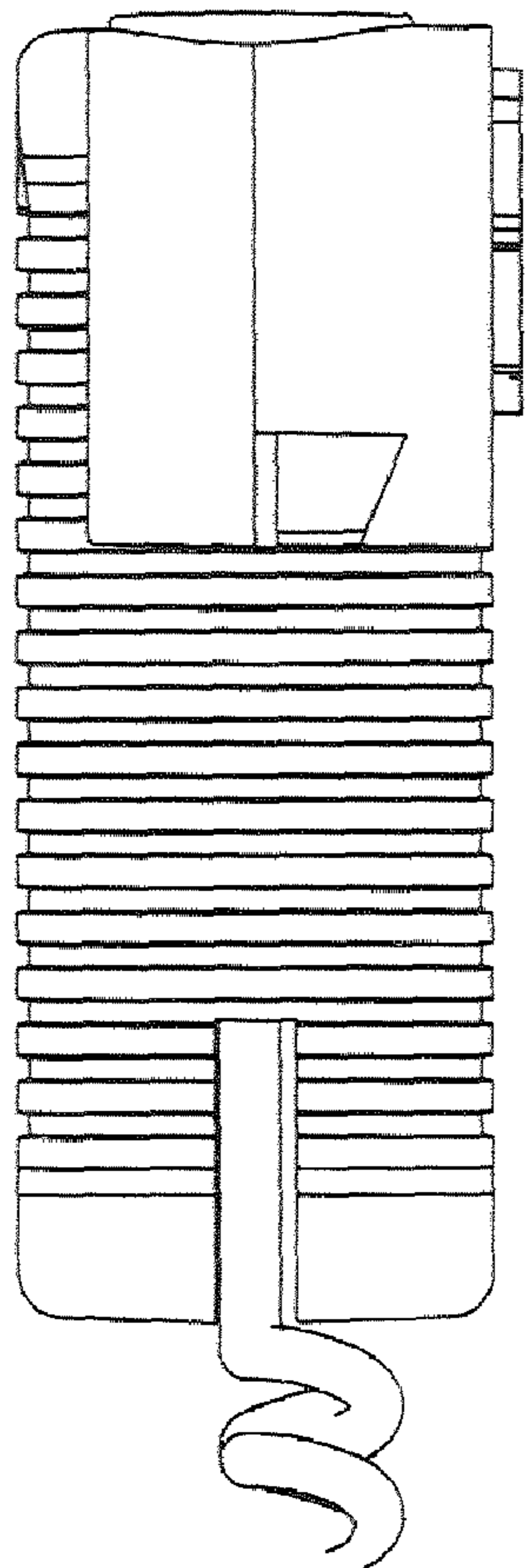


Fig-19