

US00D606432S

(12) **United States Design Patent**
Winterhalter et al.

(10) **Patent No.:** **US D606,432 S**
(45) **Date of Patent:** **** Dec. 22, 2009**

(54) **DISPLAY HOUSING FOR VIDEO INSPECTION DEVICE**

(75) Inventors: **Daniel M. Winterhalter**, Ypsilanti, MI (US); **Owen W. Draper**, Rochester Hills, MI (US); **Paul J. Eckhoff**, South Lyon, MI (US); **Shepherd Whitcomb**, Ann Arbor, MI (US); **Tye Newman**, Howell, MI (US)

(73) Assignee: **Perceptron, Inc.**, Plymouth, MI (US)

(**) Term: **14 Years**

(21) Appl. No.: **29/321,680**

(22) Filed: **Jul. 22, 2008**

(51) **LOC (9) Cl.** **10-04**

(52) **U.S. Cl.** **D10/78; D10/104; D10/46**

(58) **Field of Classification Search** **D10/46, D10/78, 104; D16/202; 250/208.1, 330, 250/336.1, 338.1, 339.03, 395; 348/65-68, 348/77, 141, 84; 362/1, 109, 294, 373, 399; 713/176; 324/329, 67, 326; 73/623, 865.8**
See application file for complete search history.

(56) **References Cited**

U.S. PATENT DOCUMENTS

D510,044 S *	9/2005	Ribeiro et al.	D10/78
D518,394 S *	4/2006	Lipscomb et al.	D10/78
D570,716 S *	6/2008	Gerold	D10/78
D573,042 S *	7/2008	Gatz et al.	D10/46
D578,906 S *	10/2008	Gatz et al.	D10/46
D579,361 S *	10/2008	Wen	D10/78
D596,969 S *	7/2009	Igelmund	D10/78

OTHER PUBLICATIONS

Solus Pro Diagnostic Scan Tool; commercially available from Snap-On; printed from Snap-on website on Jul. 21, 2008.

Vantage Power Graphing Meter; commercially available from Snap-On; printed from Snap-on website on Jul. 21, 2008.

* cited by examiner

Primary Examiner—Antoine D Davis
(74) *Attorney, Agent, or Firm*—Harness, Dickey & Pierce, P.L.C.

(57) **CLAIM**

The ornamental design for a display housing for a video inspection devices, as shown and described.

DESCRIPTION

FIG. 1 is a perspective view of an exemplary remote inspection device which embodies a display housing in accordance with the present design;

FIG. 2 is a perspective view of a first embodiment of the display housing;

FIG. 3 is a front view of the first embodiment of the display housing;

FIG. 4 is a back view of the first embodiment of the display housing;

FIG. 5 is a top view of the first embodiment of the display housing;

FIG. 6 is a bottom view of the first embodiment of the display housing.

FIG. 7 is a side view of the first embodiment of the display housing, the other side view being a mirror image thereof;

FIG. 8 is a perspective view of a second embodiment of the display housing;

FIG. 9 is a front view of the second embodiment of the display housing;

FIG. 10 is a back view of the second embodiment of the display housing;

FIG. 11 is a top view of the second embodiment of the display housing;

FIG. 12 is a bottom view of the second embodiment of the display housing;

FIG. 13 is a side view of the second embodiment of the display housing, the other side view being a mirror image thereof;

FIG. 14 is a perspective view of a third embodiment of the display housing;

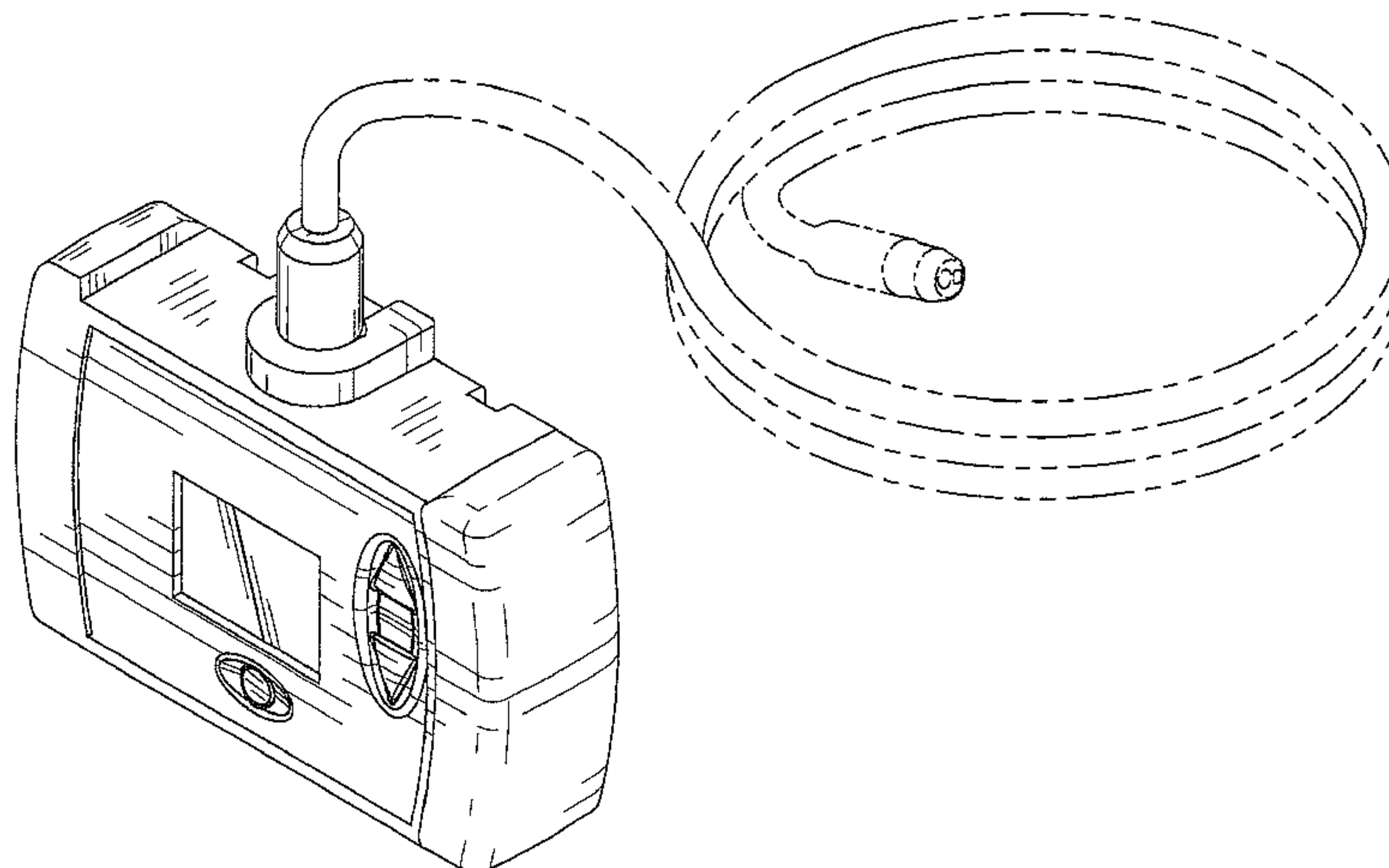


FIG. **15** is a front view of the third embodiment of the display housing;

FIG. **16** is a back view of the third embodiment of the display housing;

FIG. **17** is a top view of the third embodiment of the display housing;

FIG. **18** is a bottom view of the third embodiment of the display housing; and,

FIG. **19** is a side view of the third embodiment of the display housing, the other side view being a mirror image thereof.

It is to be understood that those portions of the display housing shown in broken line in the accompanying figures do not constitute an integral part of the claimed design and, therefore, are disclaimed as part of the claimed design.

1 Claim, 10 Drawing Sheets

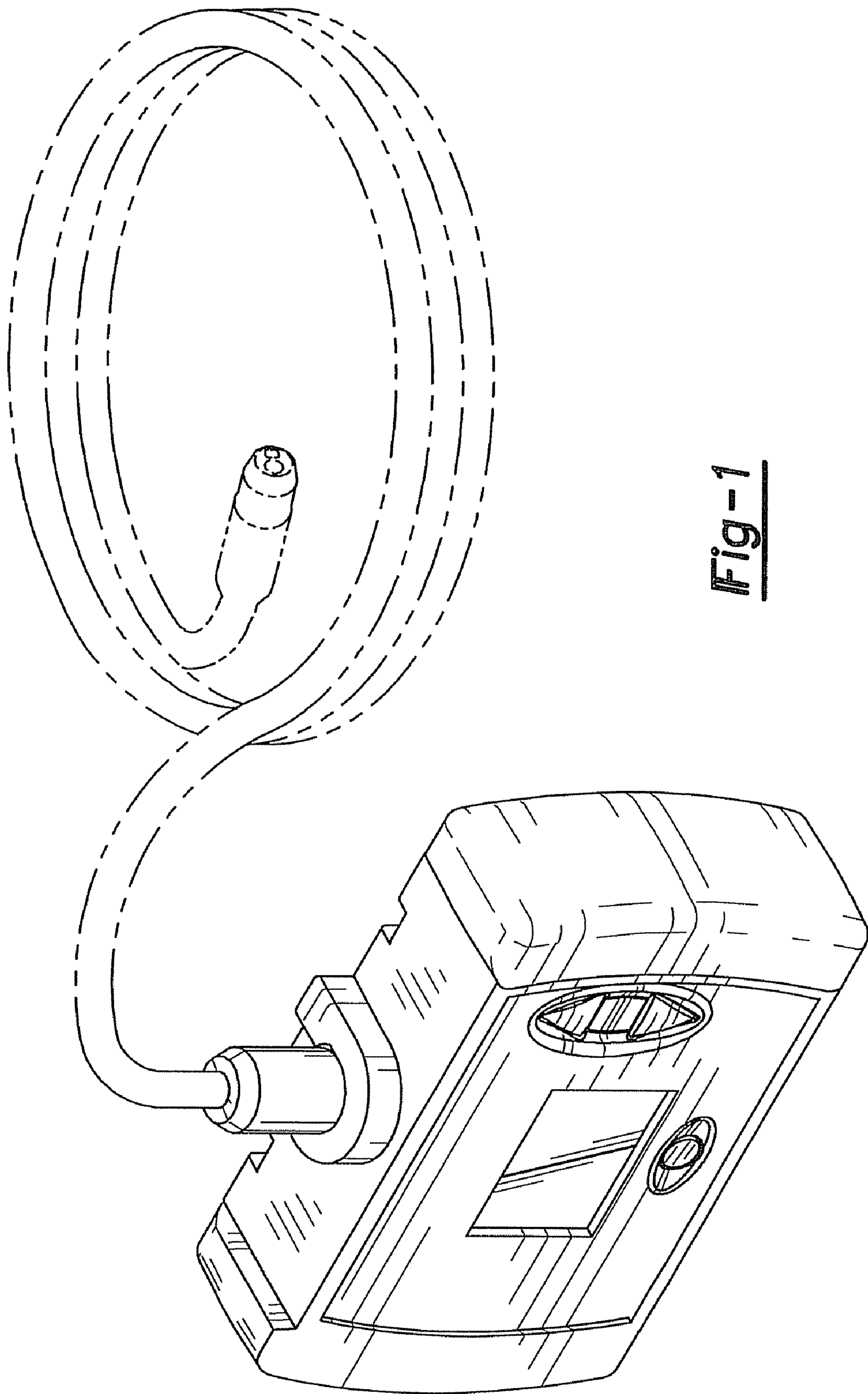


Fig-1

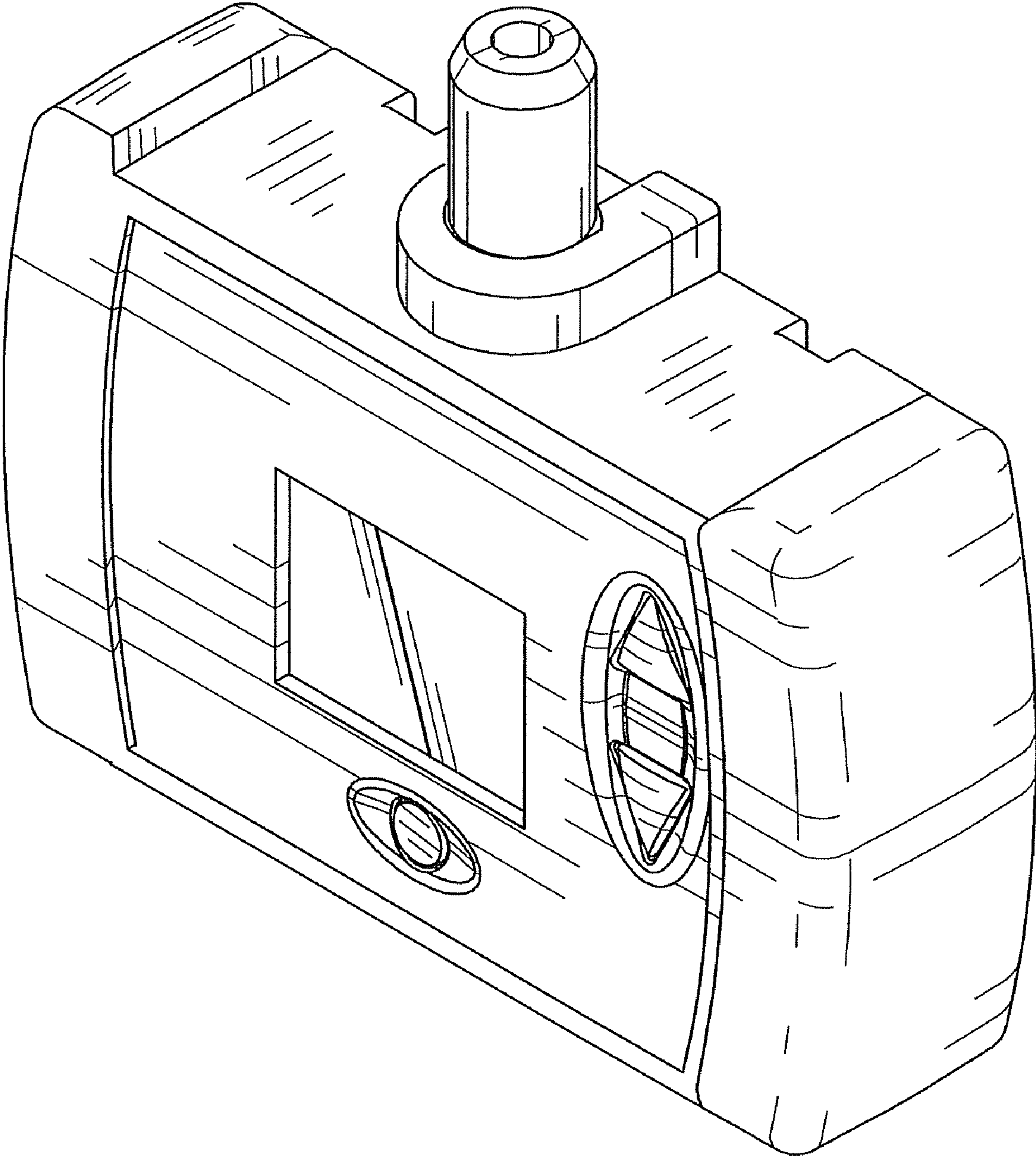


Fig-2

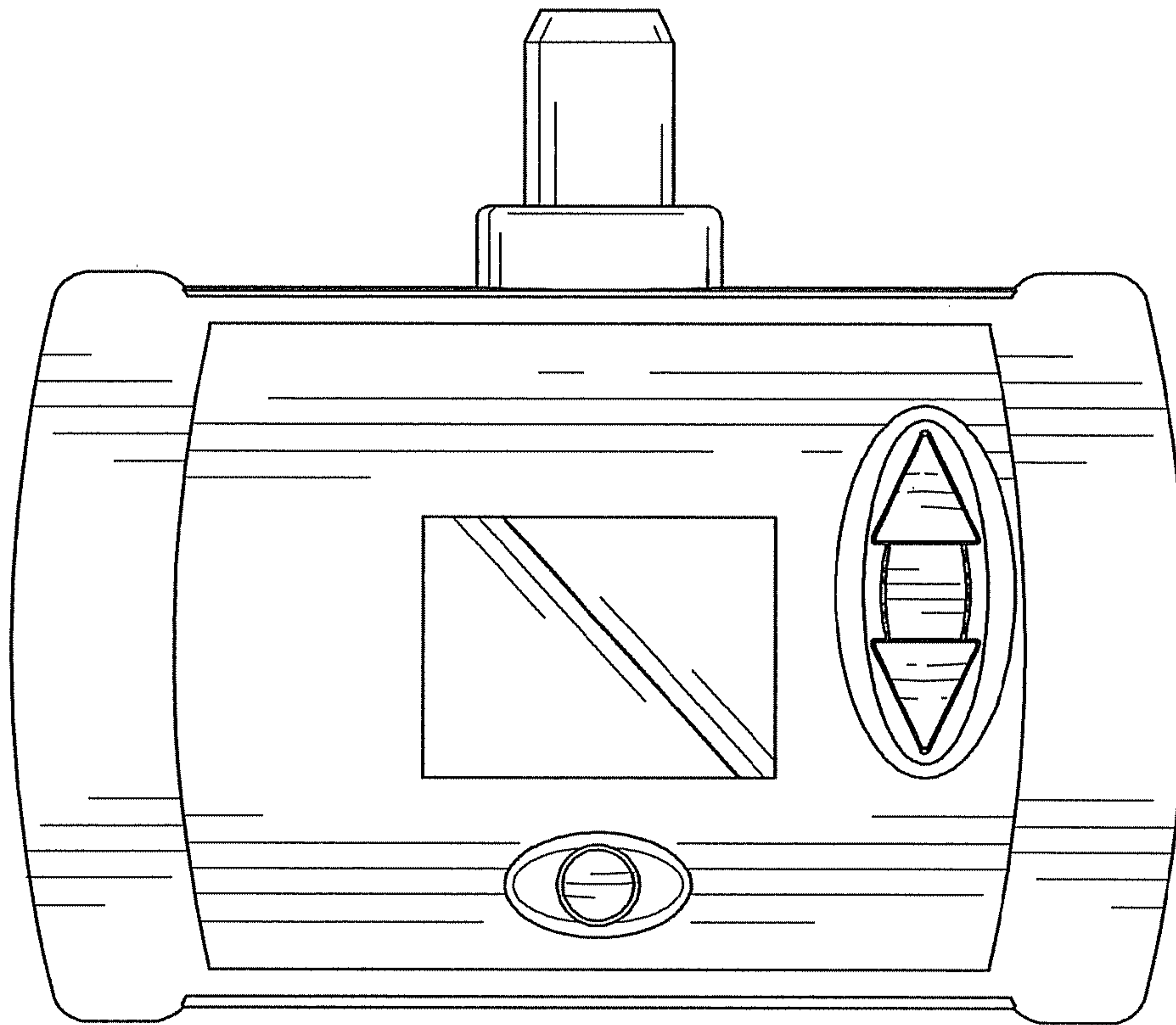


Fig-3

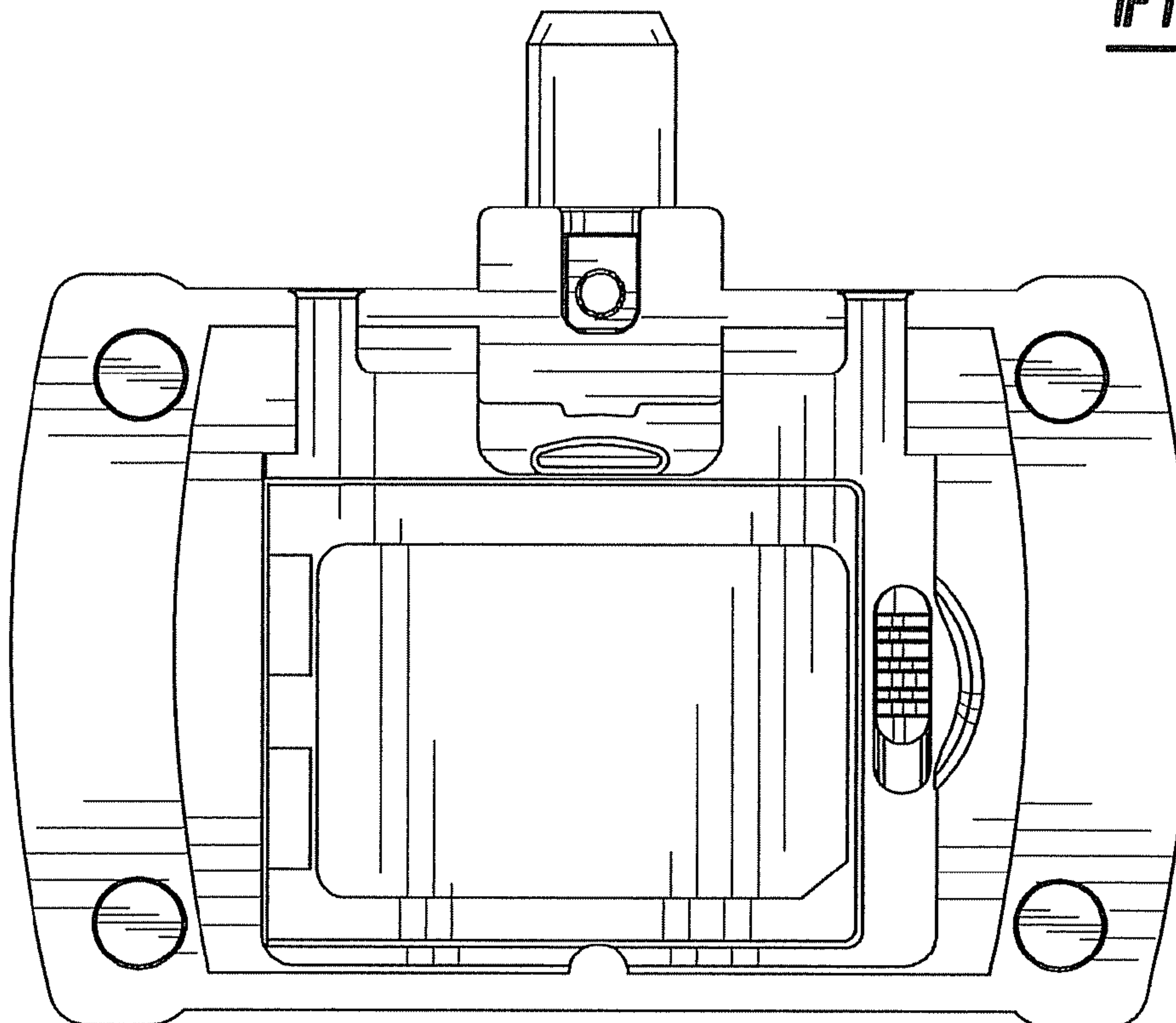


Fig-4

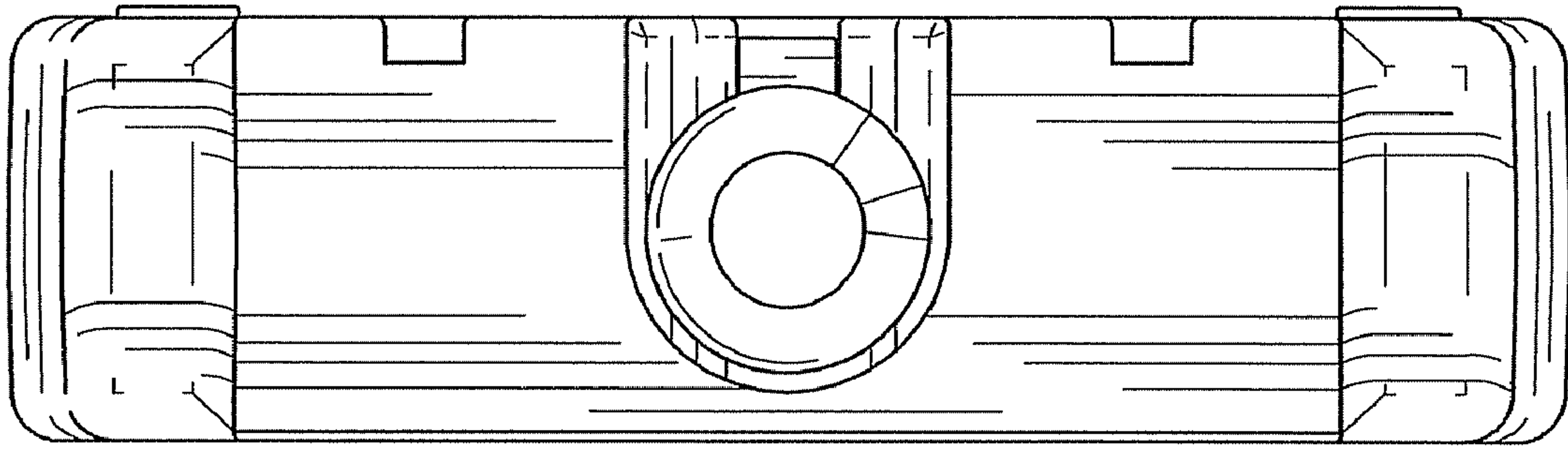


Fig-5

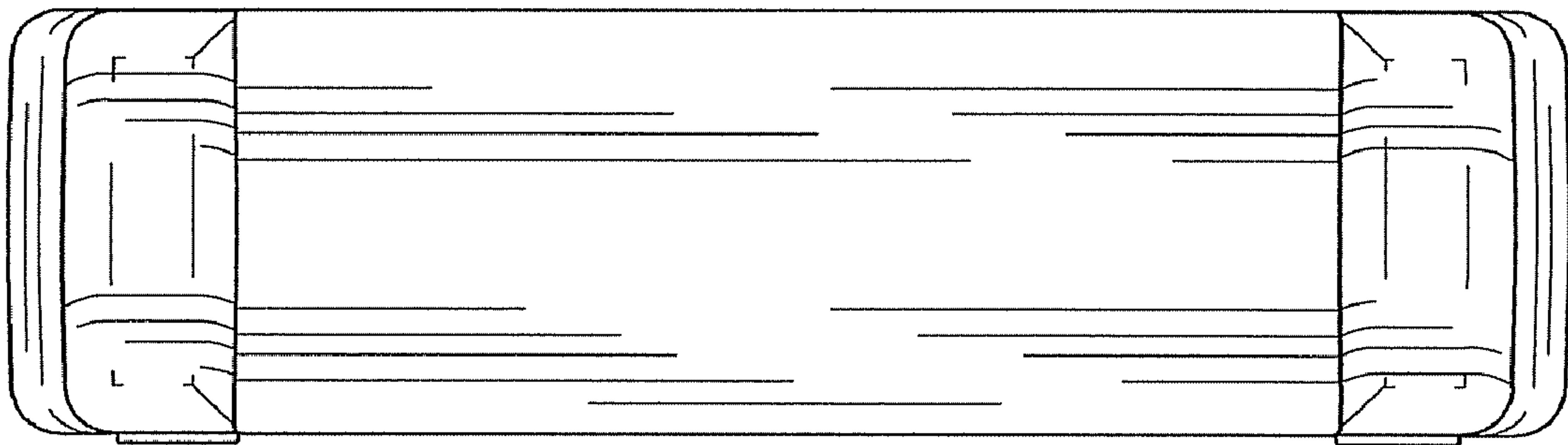


Fig-6

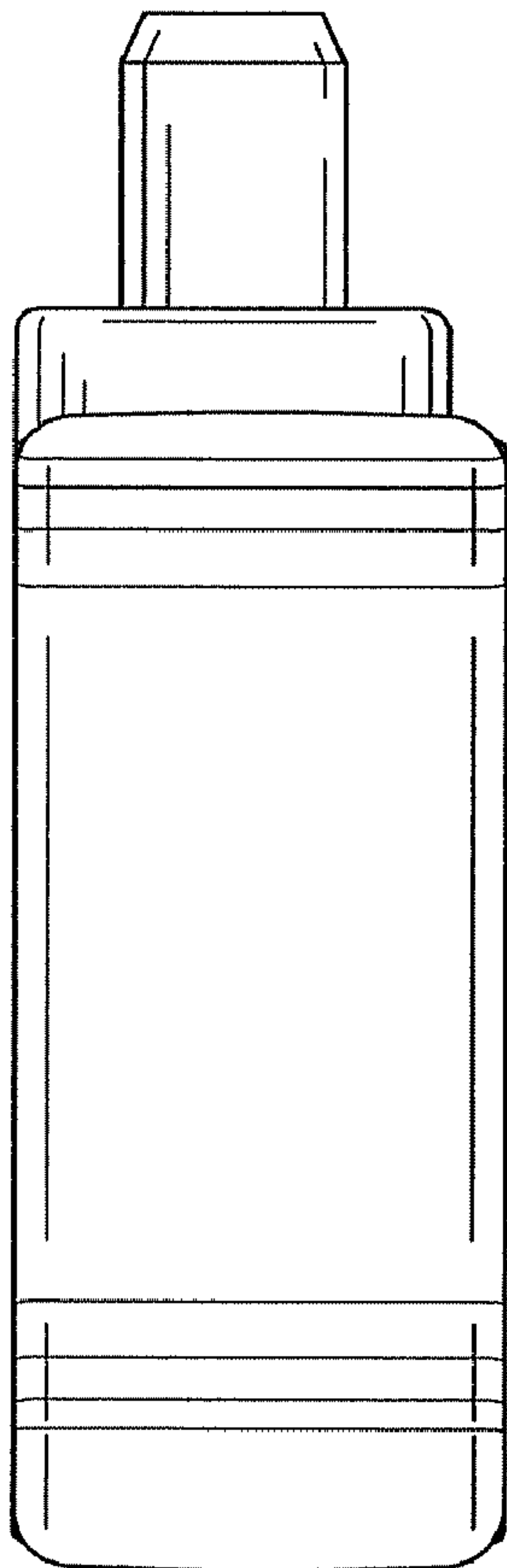


Fig-7

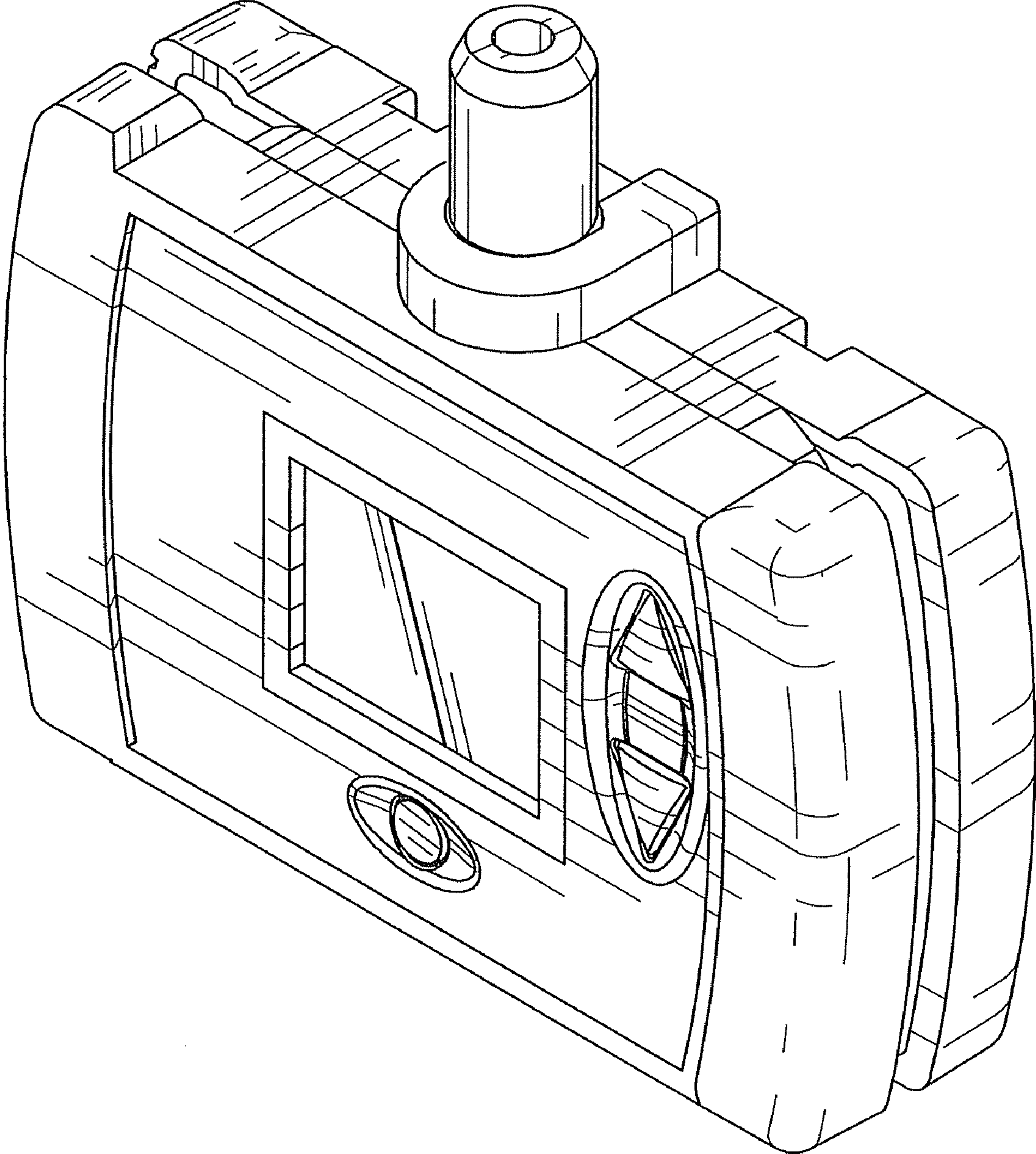


Fig-8

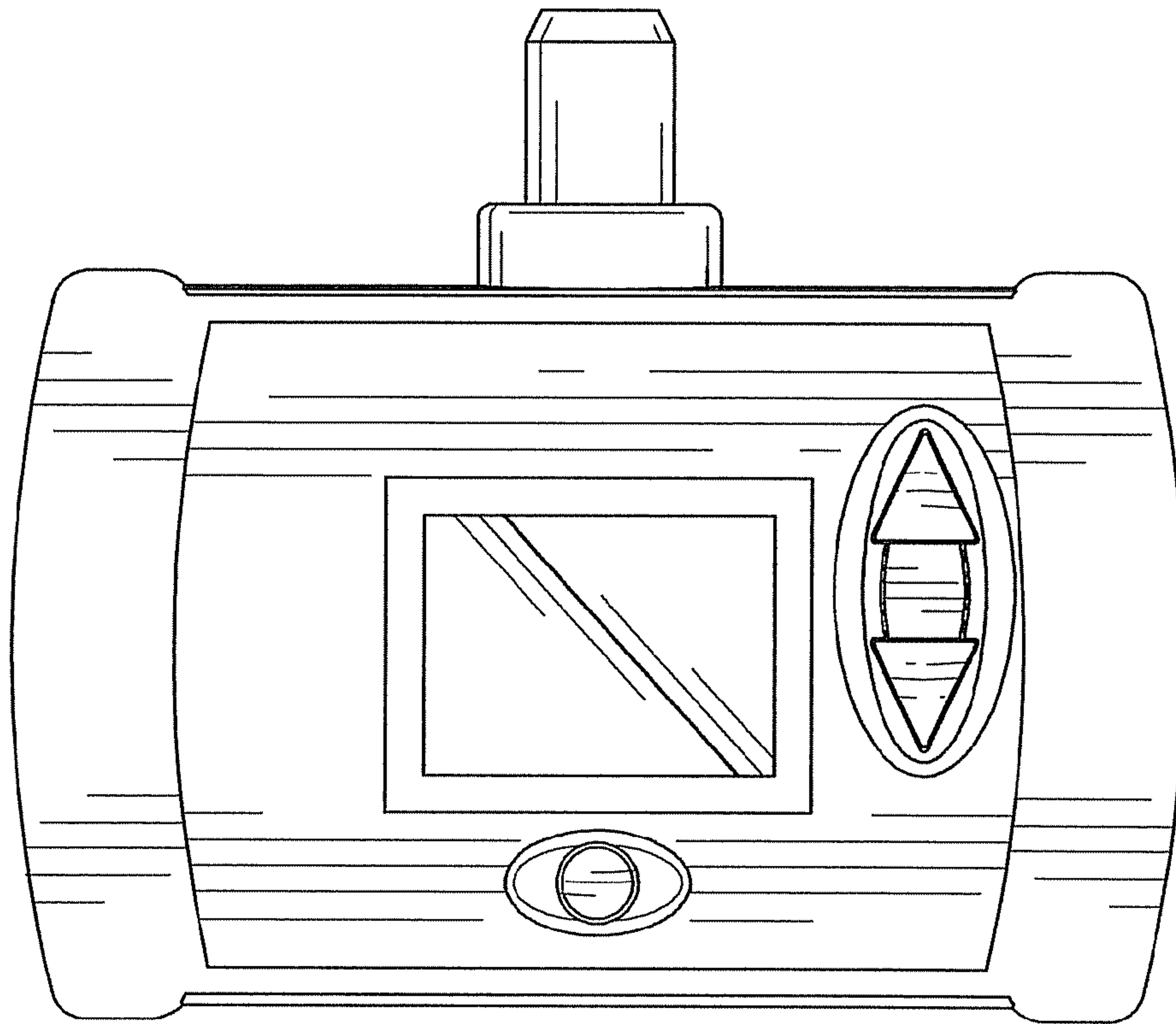


Fig-9

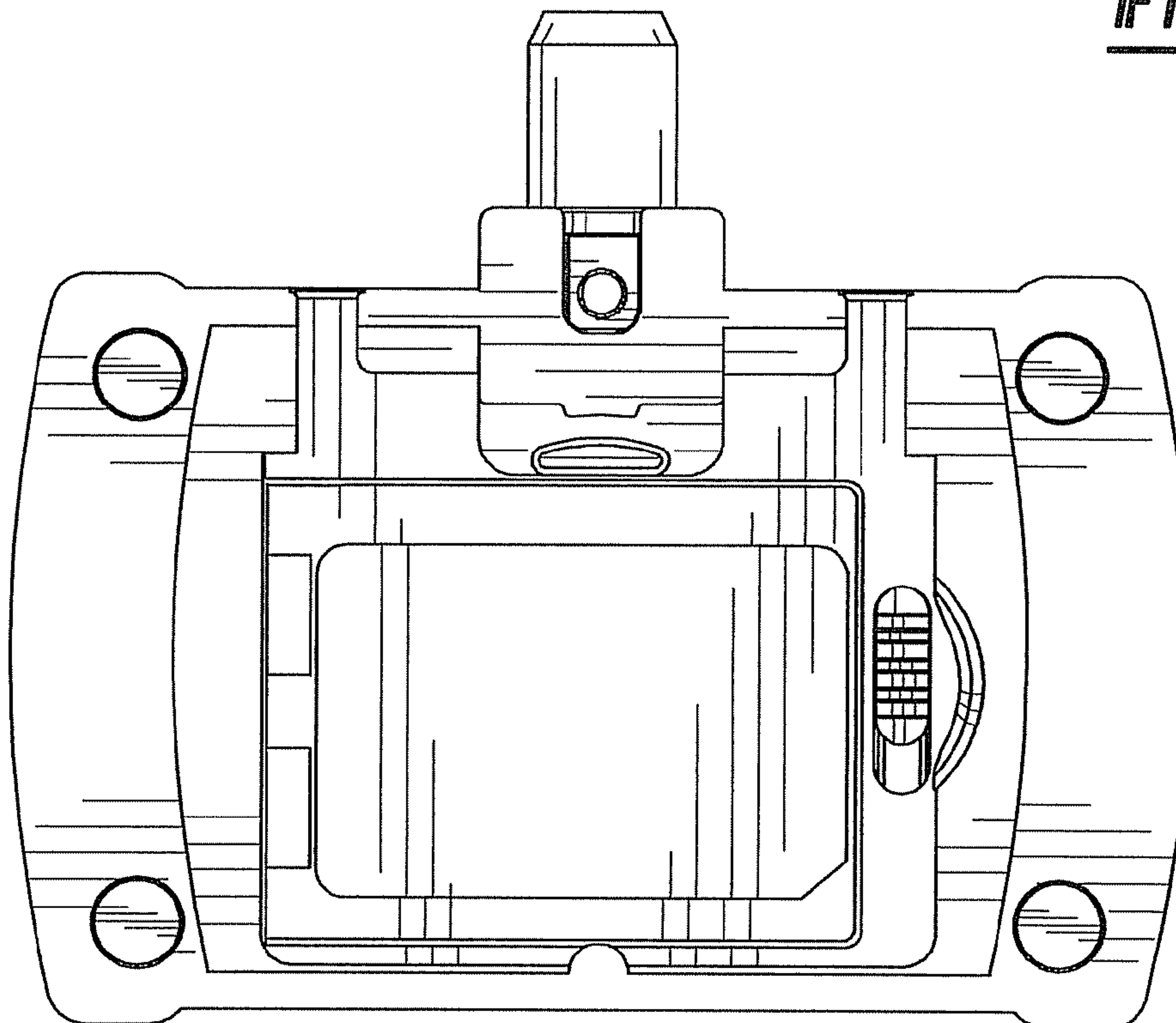


Fig-10

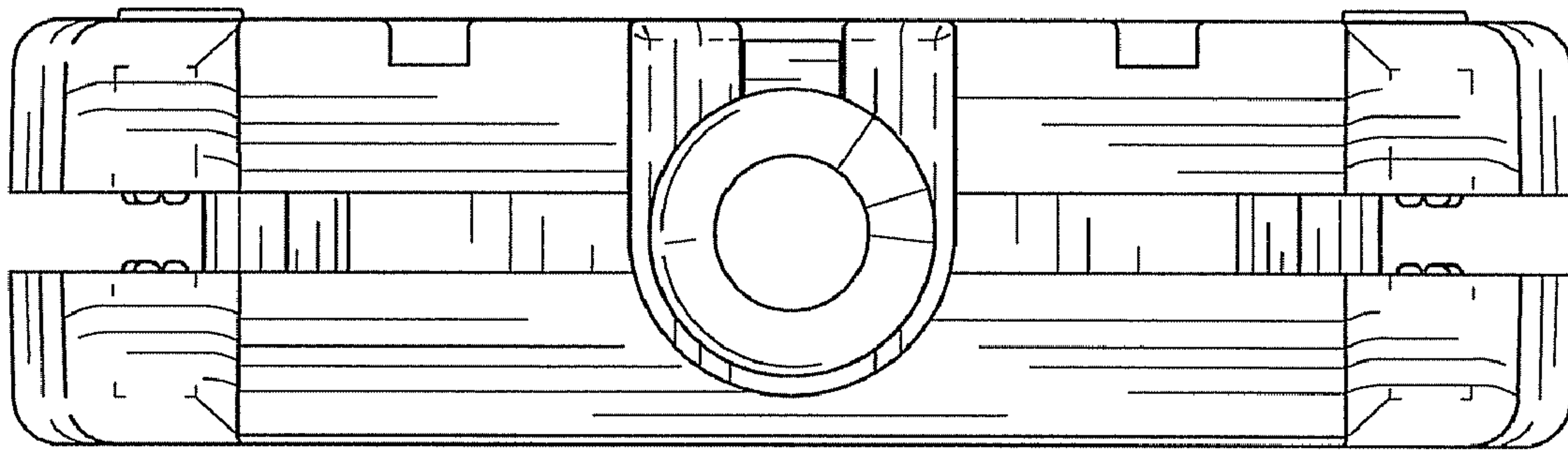


Fig-11

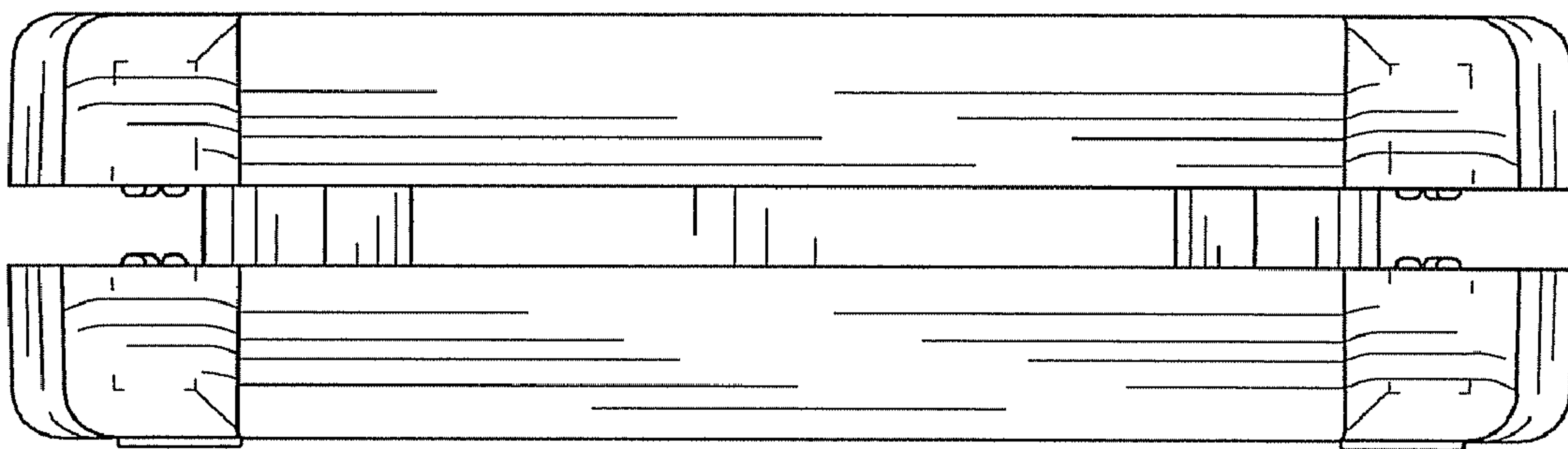


Fig-12

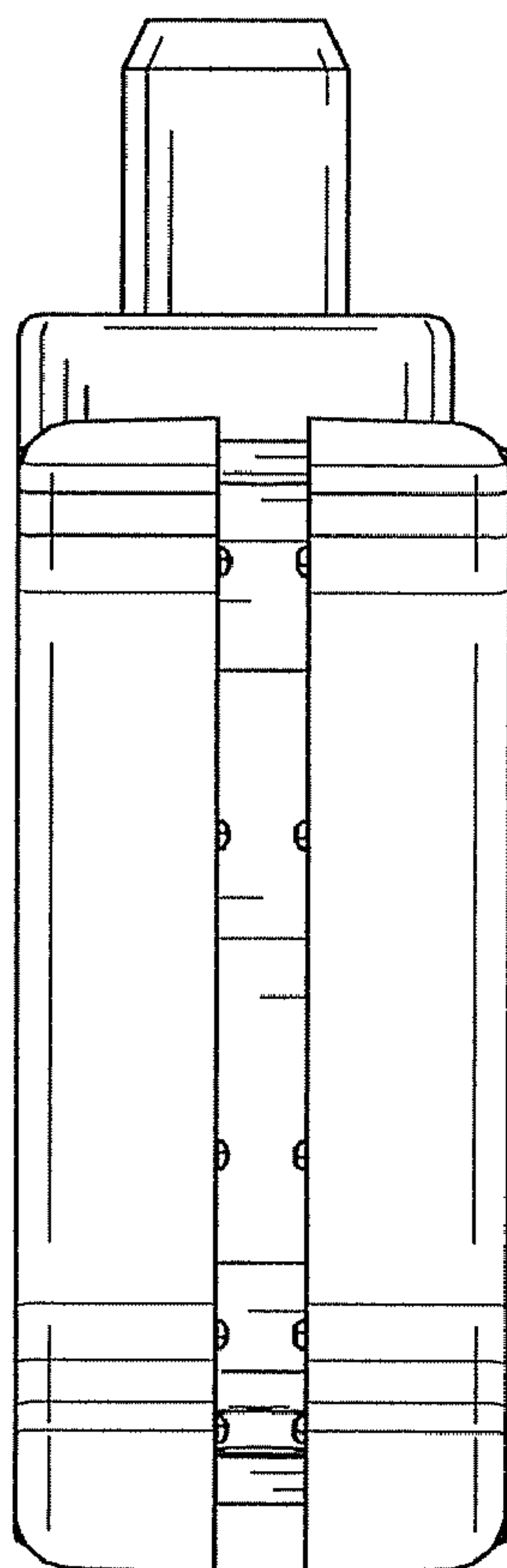


Fig-13

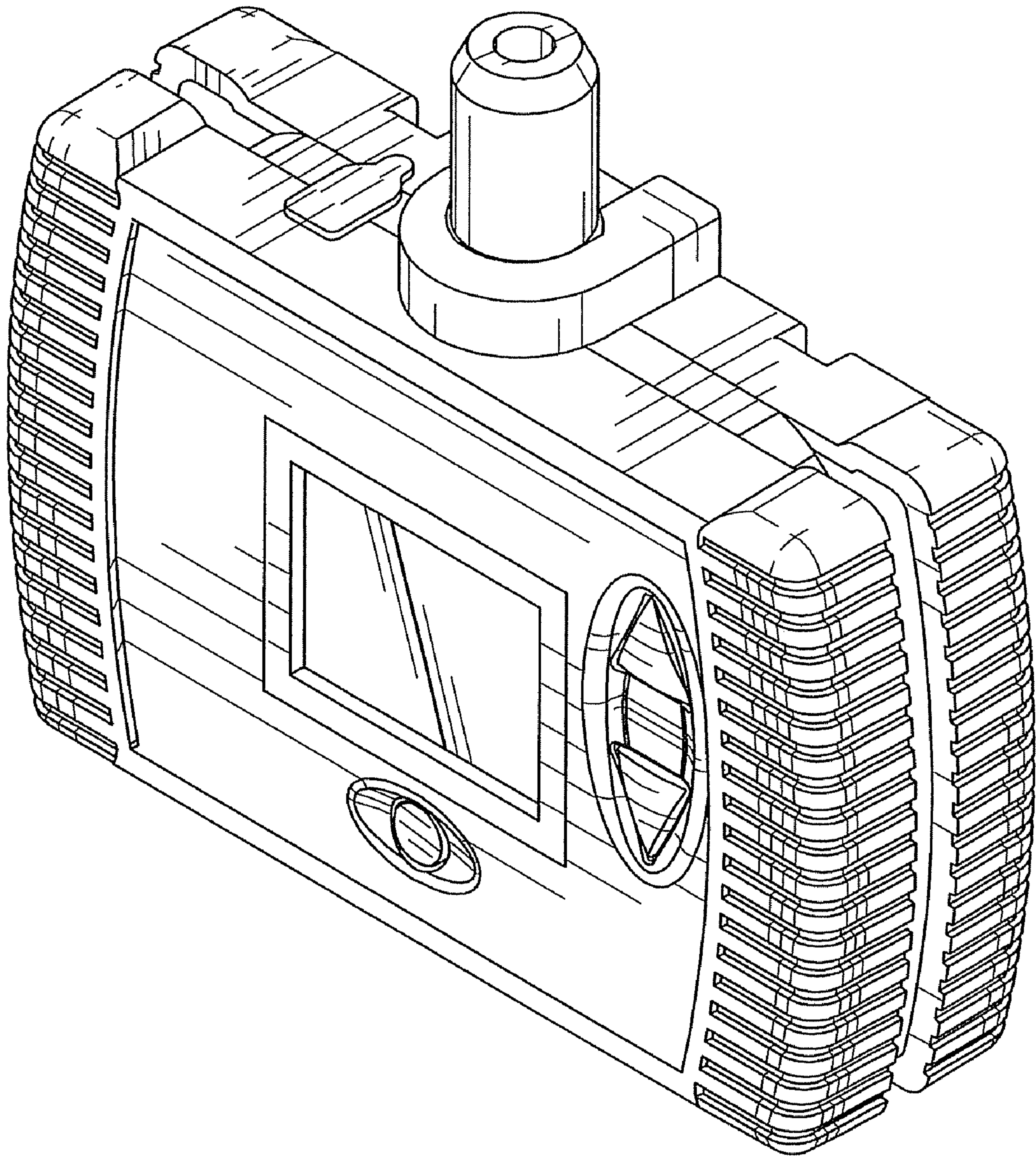


Fig-14

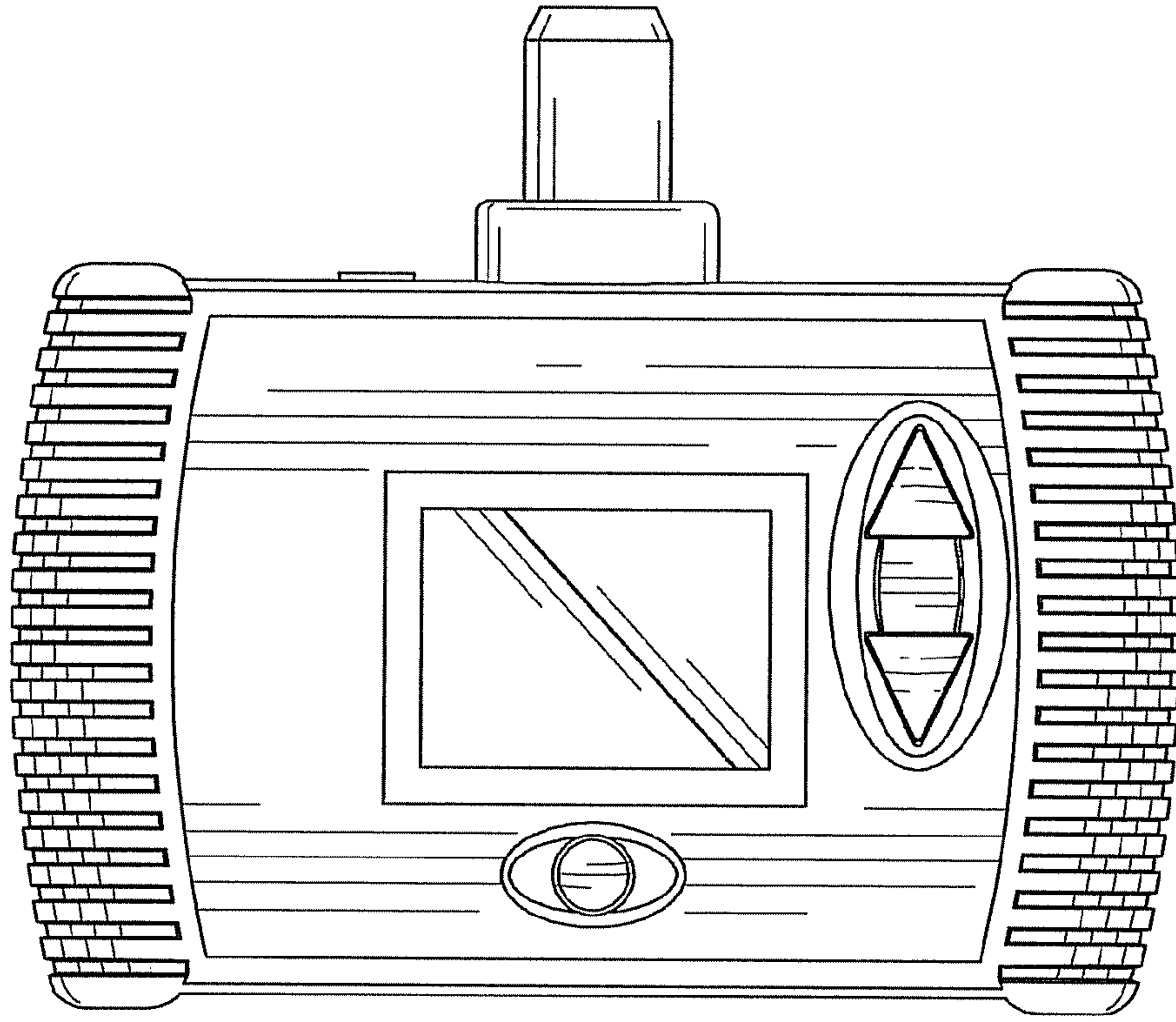


Fig-15

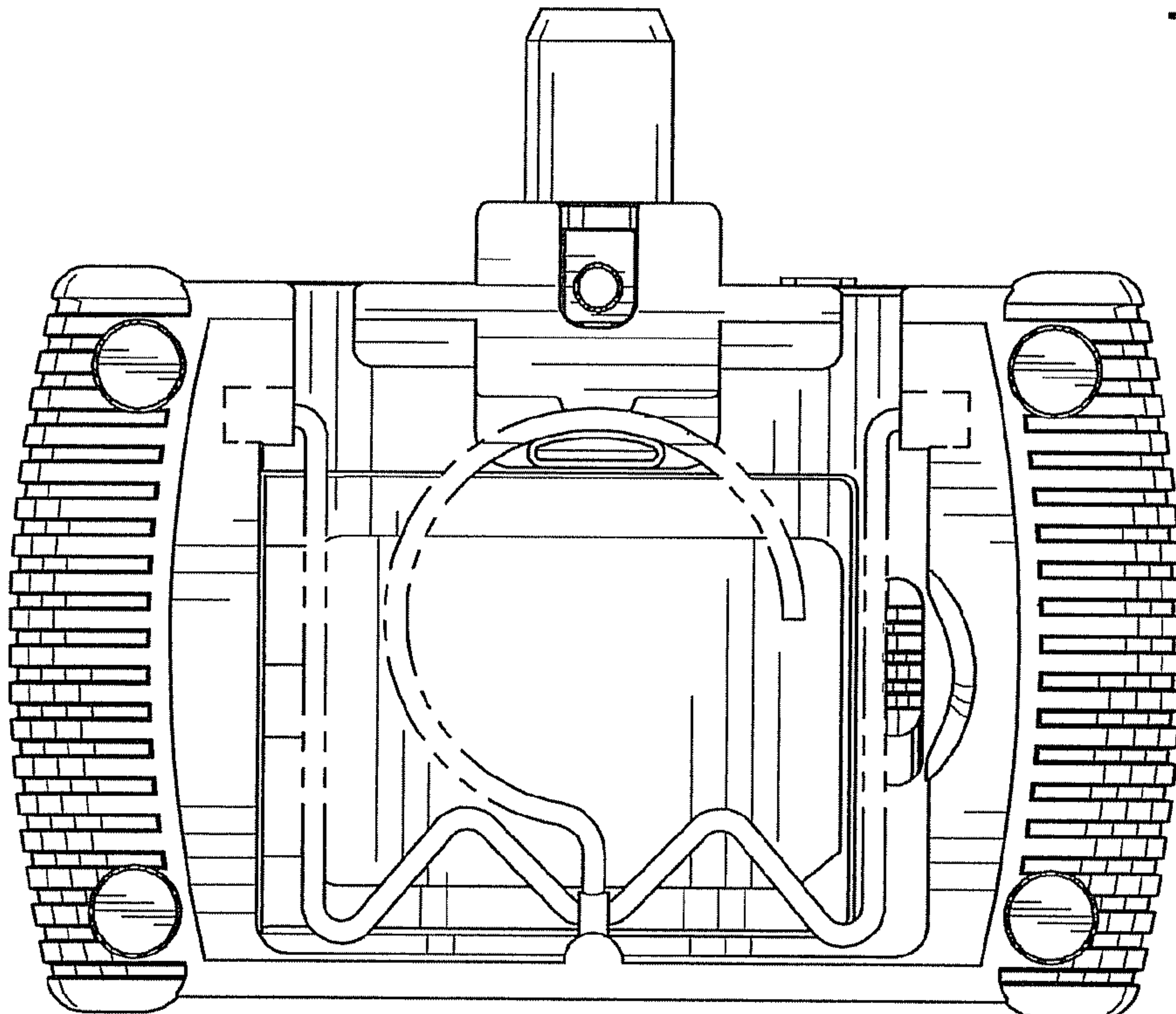


Fig-16

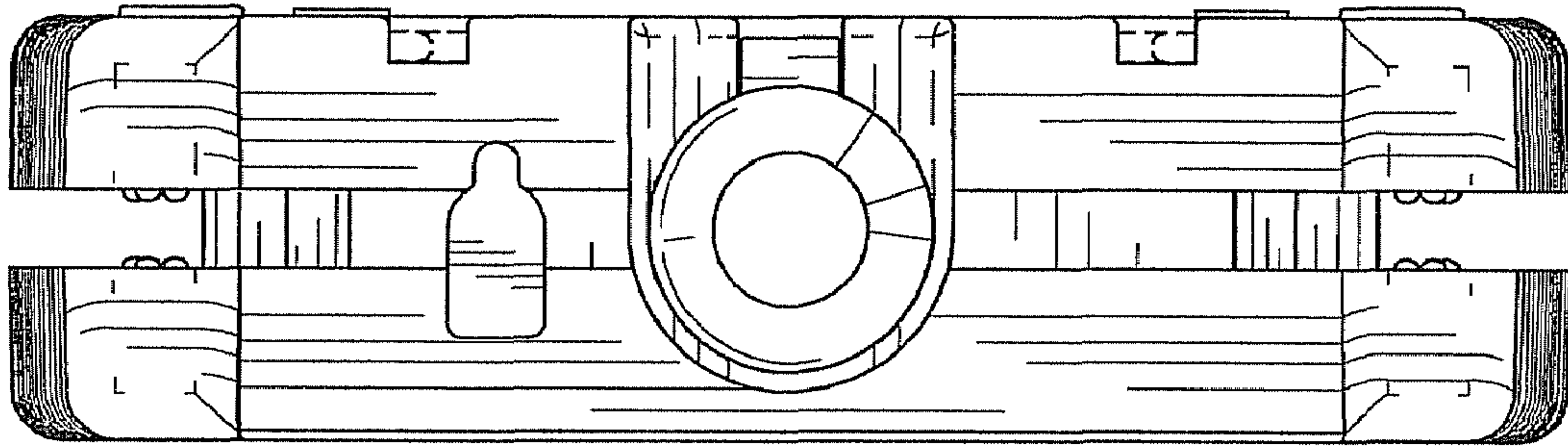


Fig-17

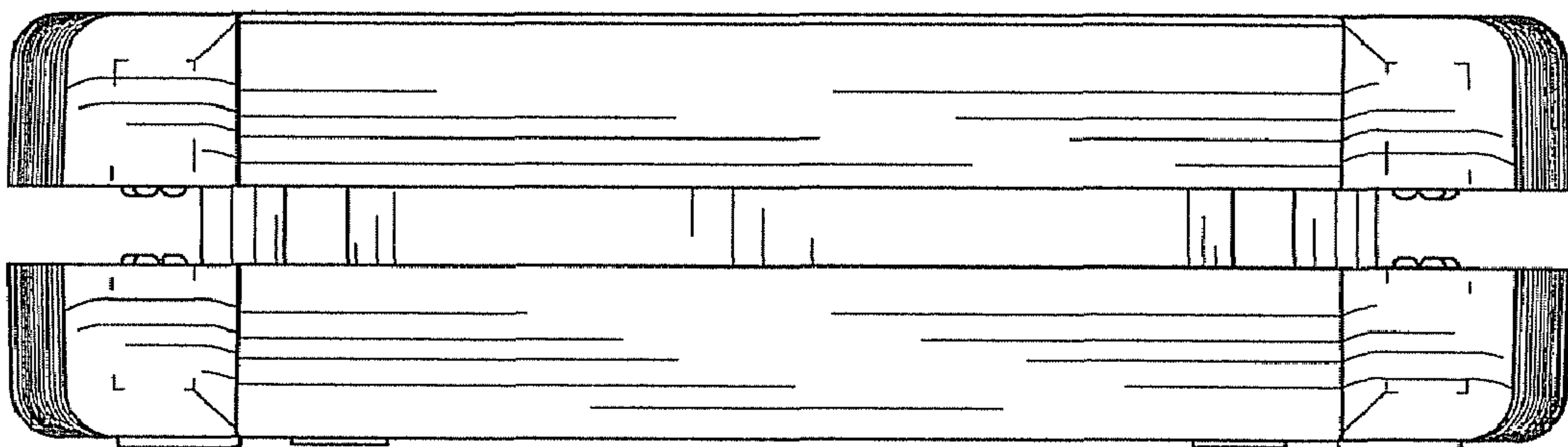


Fig-18

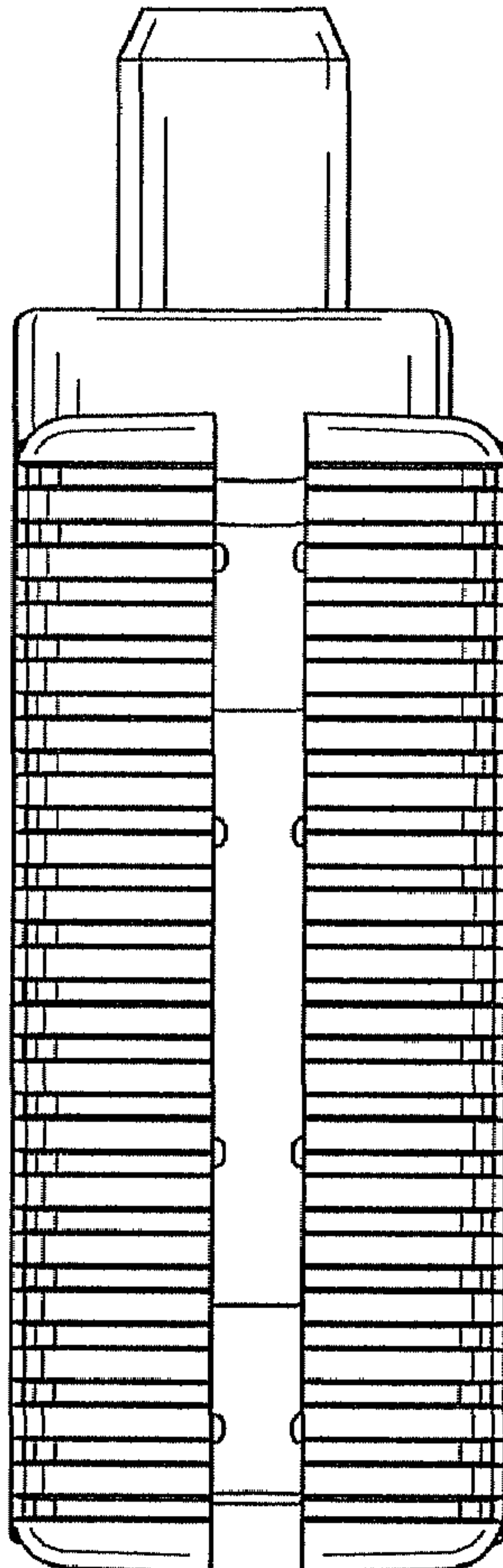


Fig-19