

US00D606427S

(12) **United States Design Patent**
Campbell et al.

(10) **Patent No.:** **US D606,427 S**

(45) **Date of Patent:** **** Dec. 22, 2009**

(54) **WIRELESS SOIL SENSOR**

(75) Inventors: **Jeffrey Campbell**, Horseshoe Bend, ID (US); **Clayton R. Karmel**, San Diego, CA (US); **John Hubble**, San Diego, CA (US)

(73) Assignee: **Green Badge LLC**, King of Prussia, PA (US)

(**) Term: **14 Years**

(21) Appl. No.: **29/331,793**

(22) Filed: **Feb. 1, 2009**

(51) **LOC (9) Cl.** **10-04**

(52) **U.S. Cl.** **D10/56**

(58) **Field of Classification Search** D10/52, D10/53, 56; 73/170.17-170.23, 866; 137/78.3; 340/540, 539.13, 573.2, 870.01; 343/895; 361/730; 362/253; 370/280, 338, 509

See application file for complete search history.

(56) **References Cited**

U.S. PATENT DOCUMENTS

2009/0007706 A1* 1/2009 Hitt et al. 73/866

* cited by examiner

Primary Examiner—Antoine D Davis

(74) *Attorney, Agent, or Firm*—Clause Eight IPS; Michael Catania

(57) **CLAIM**

The ornamental design for a wireless soil sensor, as shown and described.

DESCRIPTION

FIG. 1 is a top perspective view of a wireless soil sensor of the present invention with a sleeve attached over a portion of the wireless soil sensor.

FIG. 2 is a first side view of the wireless soil sensor of FIG. 1.

FIG. 3 is an opposing side view of the wireless soil sensor of FIG. 1.

FIG. 4 is top plan view of the wireless soil sensor of FIG. 1.

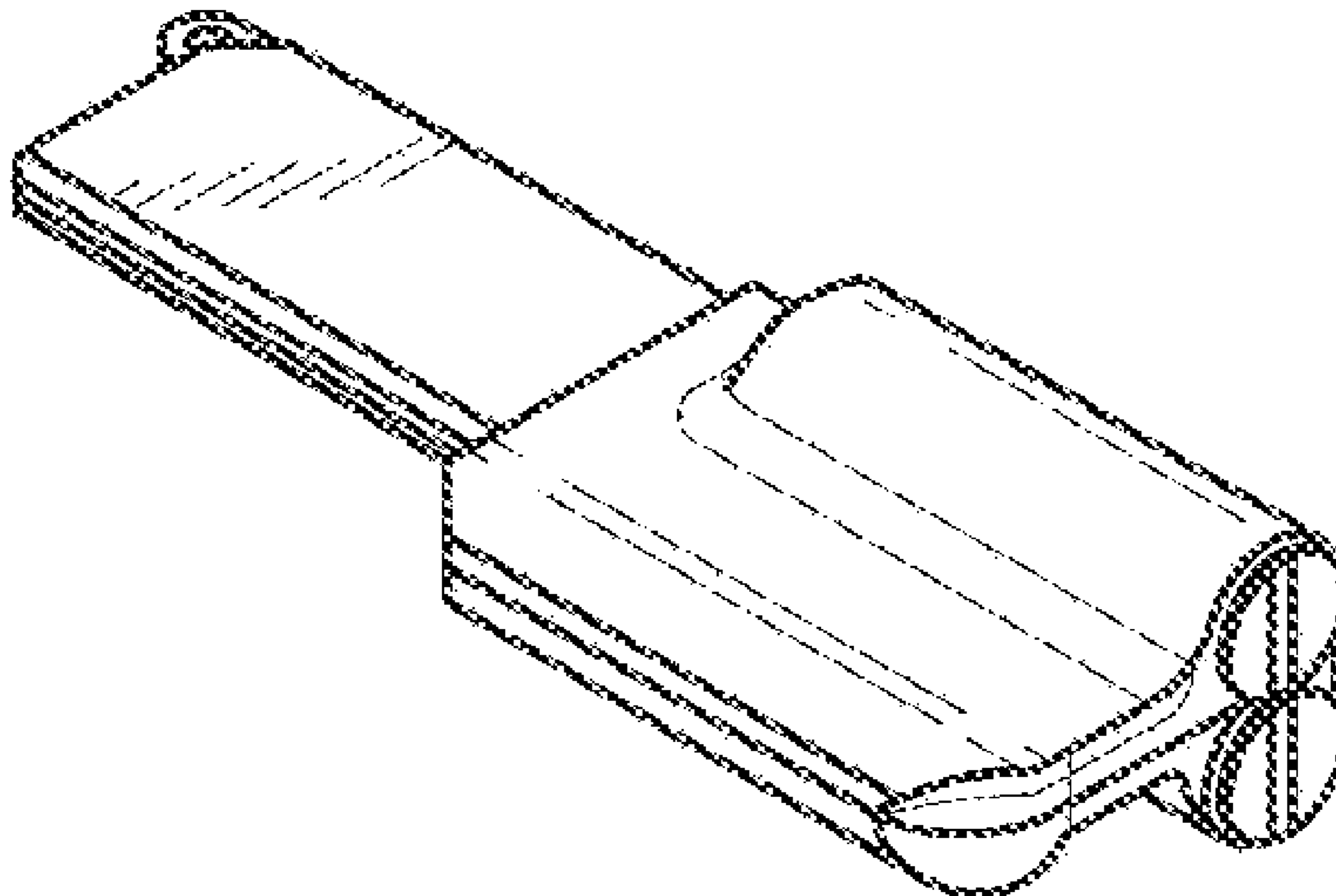
FIG. 5 is a top perspective view of a wireless soil sensor of the present invention without a sleeve attached over a portion of the wireless soil sensor.

FIG. 6 is a first side view of the wireless soil sensor of FIG. 5.

FIG. 7 is top plan view of the wireless soil sensor of FIG. 5; and,

FIG. 8 is a rear plan view of the wireless soil sensor of FIG. 5.

1 Claim, 2 Drawing Sheets



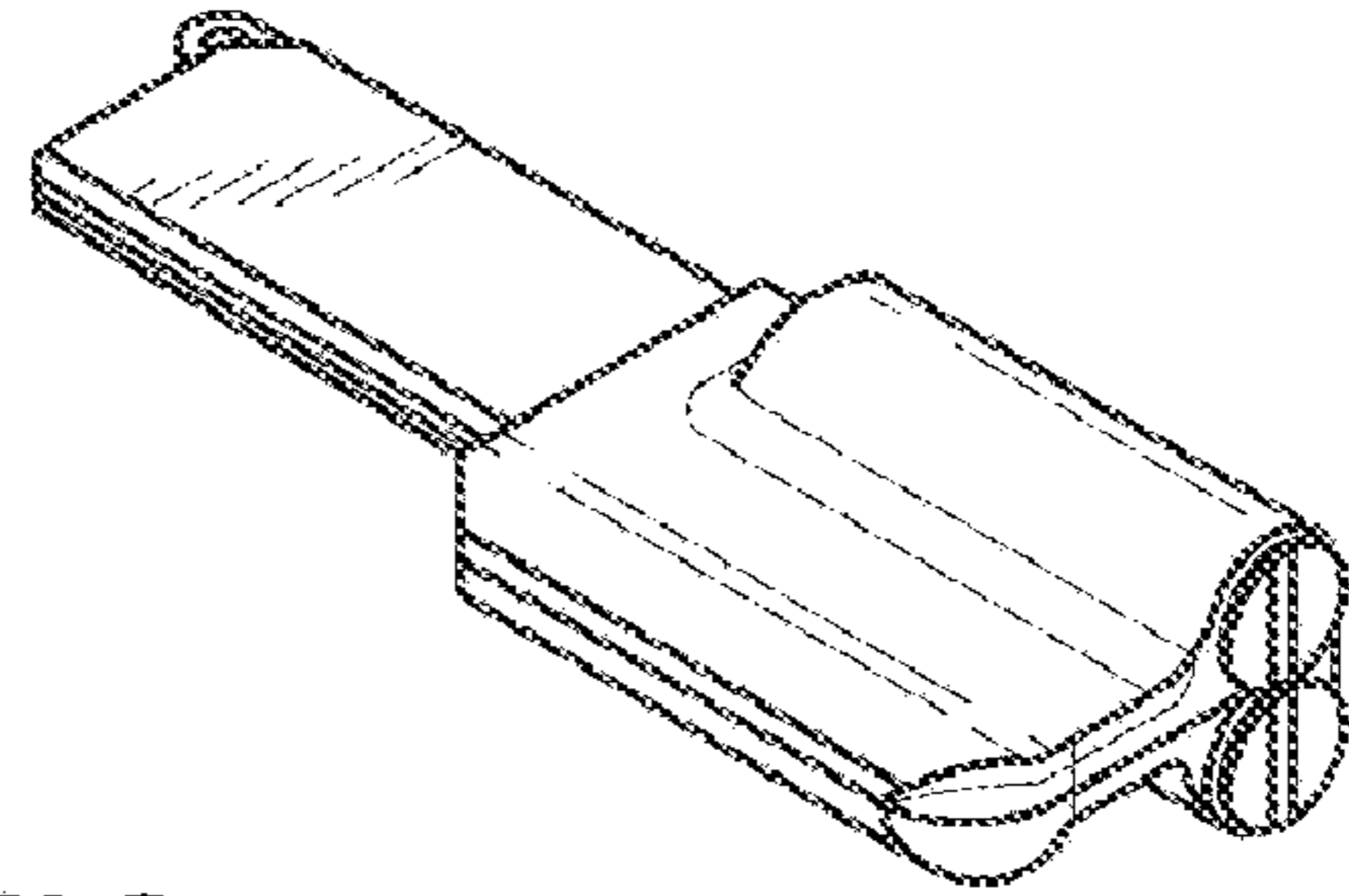


FIG. 1

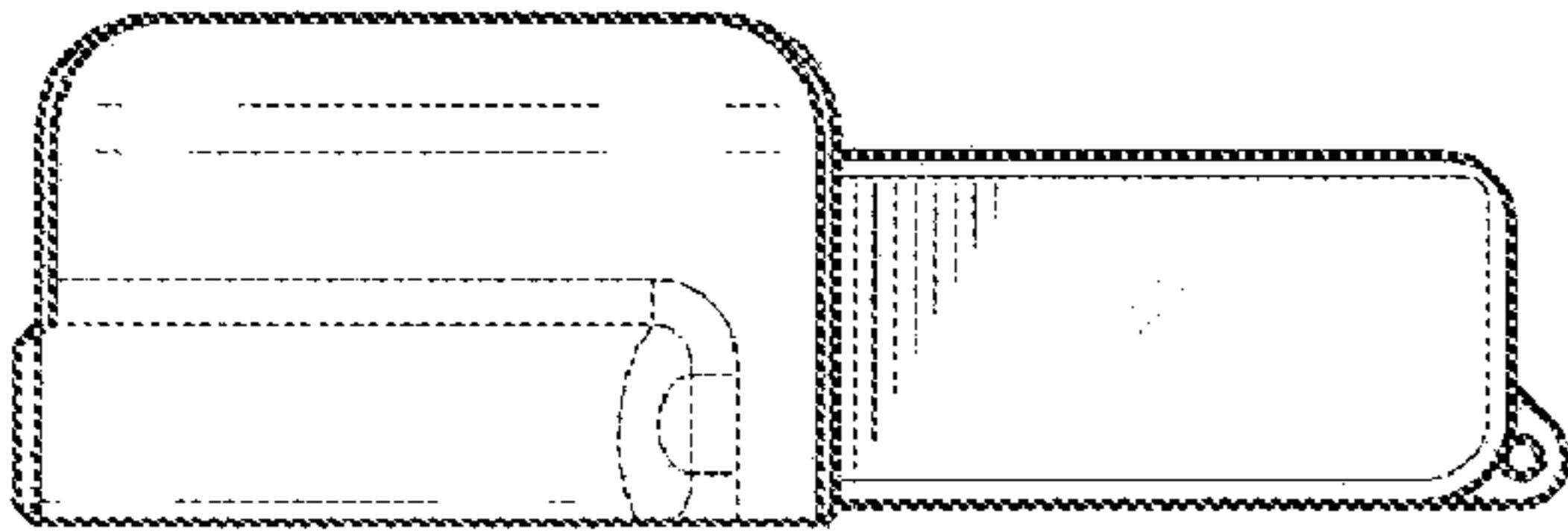


FIG. 2

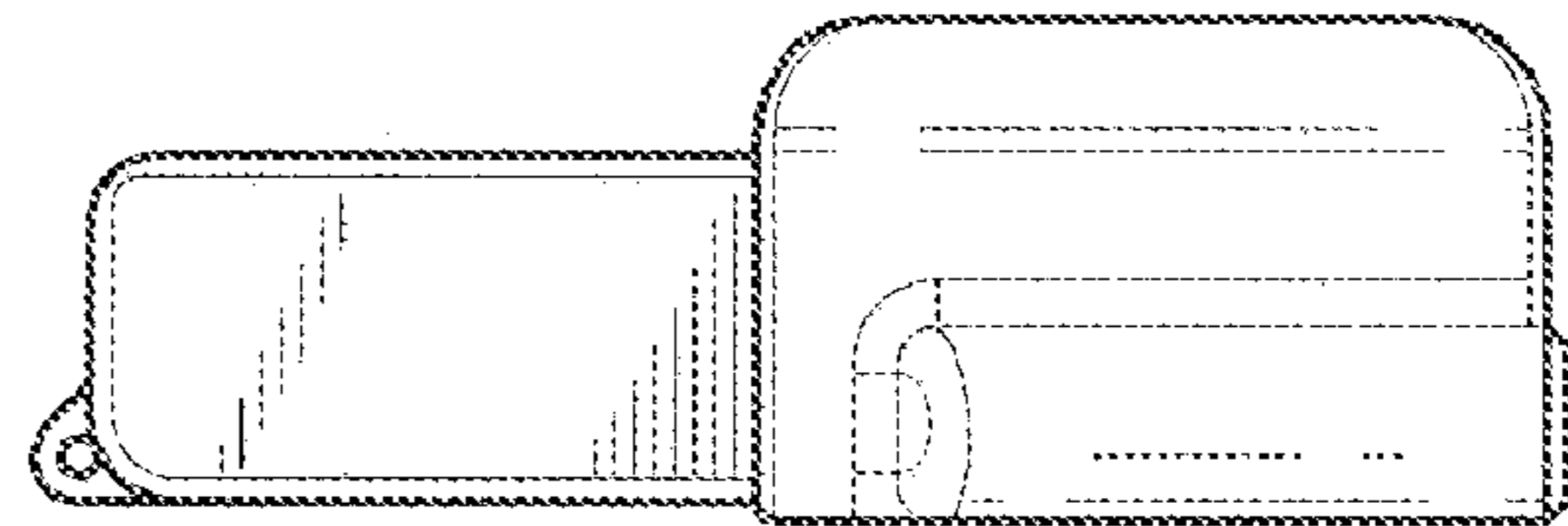


FIG. 3

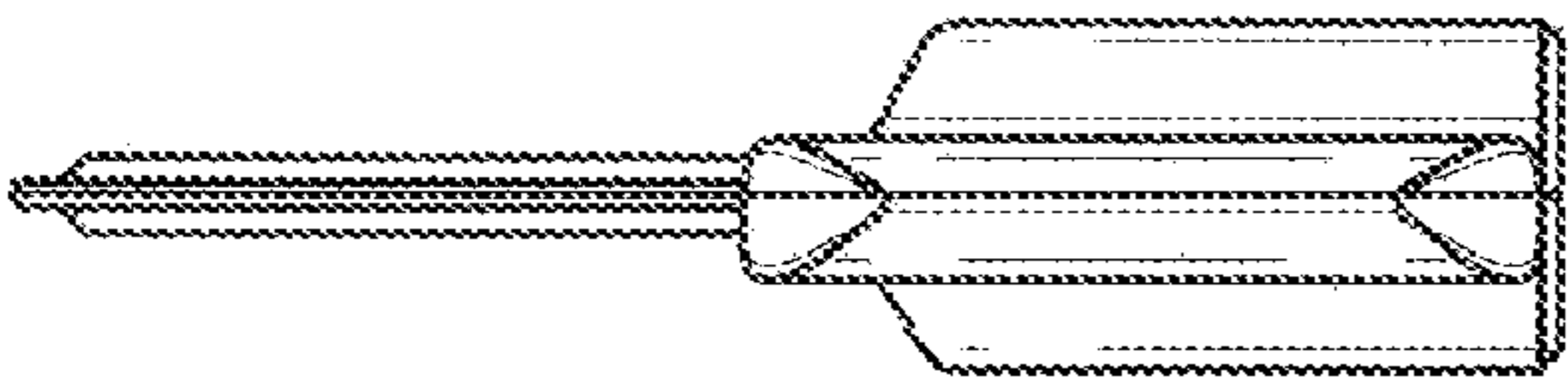


FIG. 4

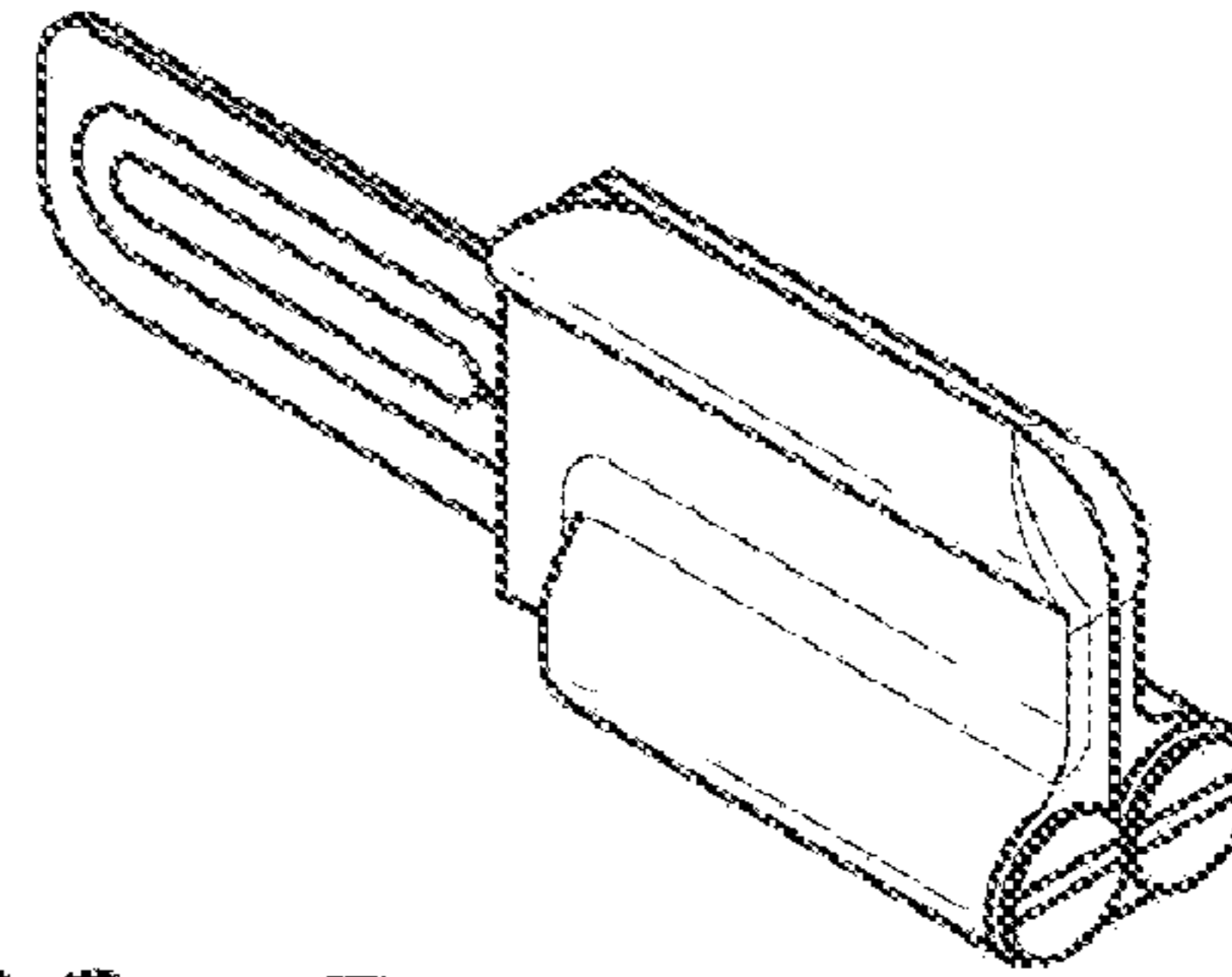


FIG. 5

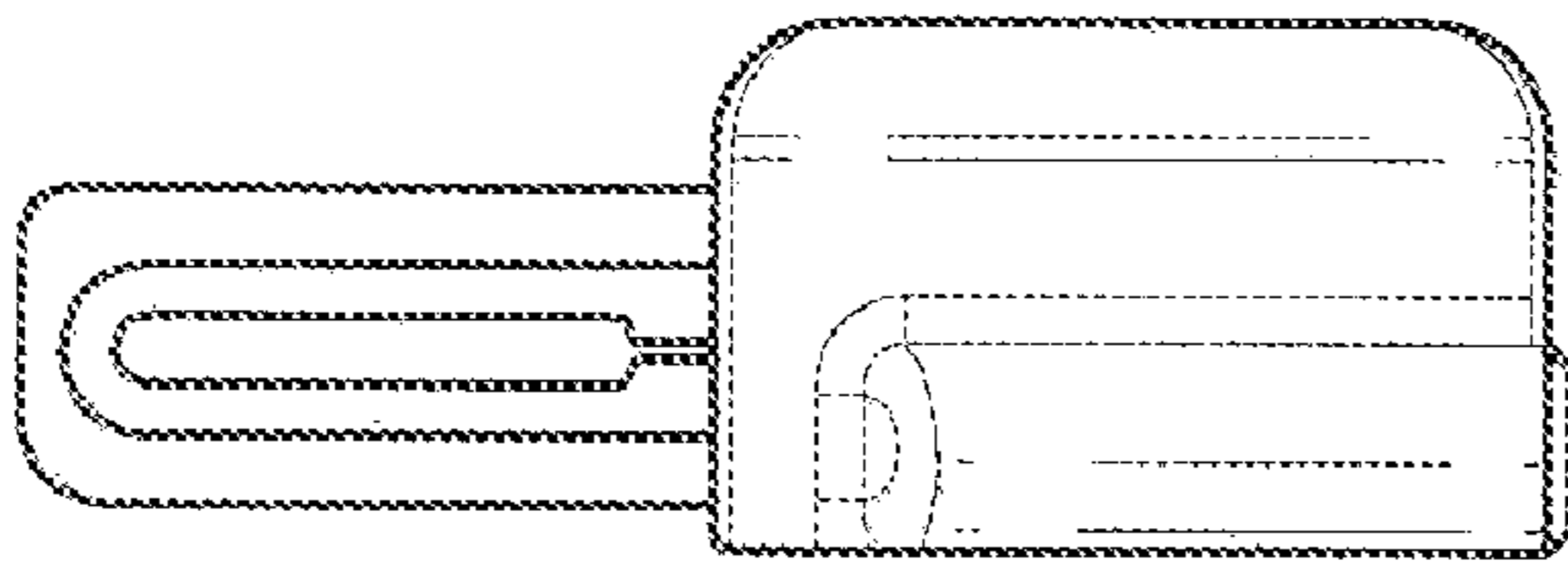


FIG. 6

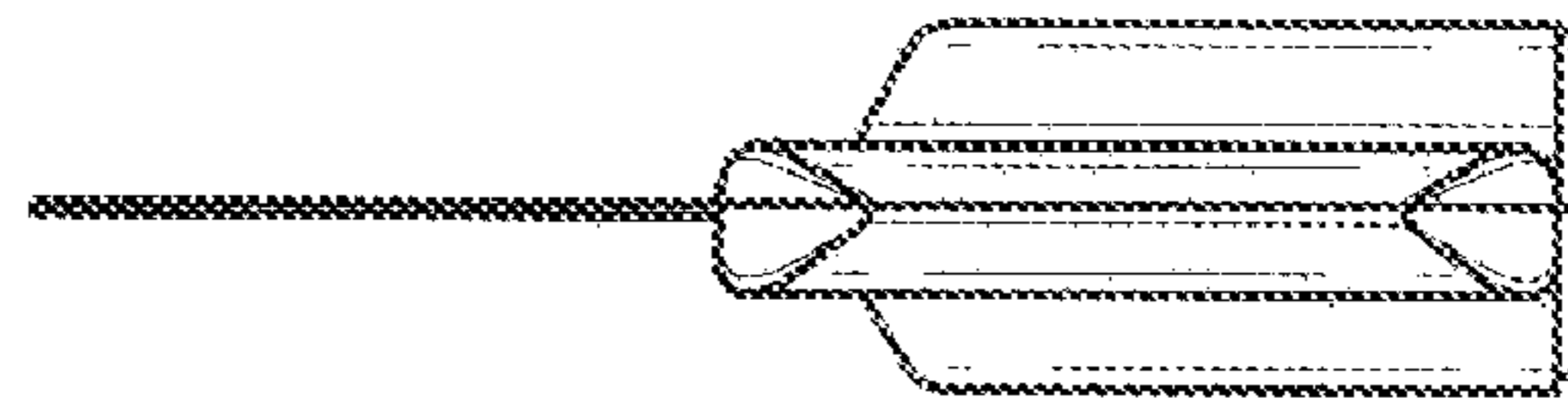


FIG. 7

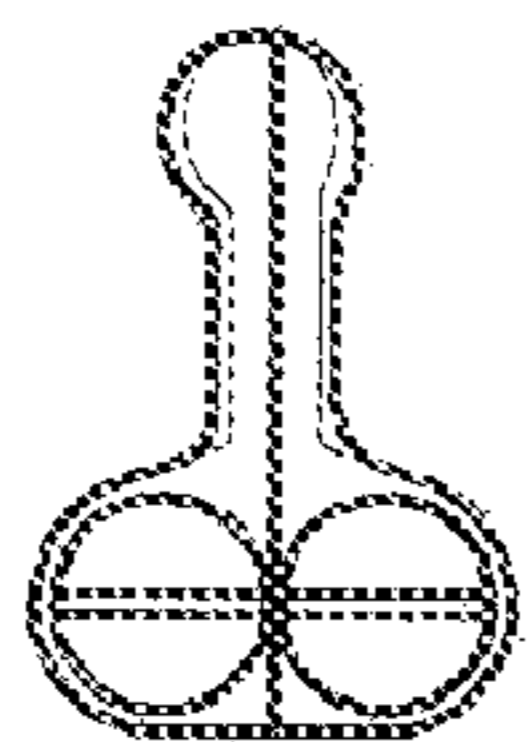


FIG. 8