

US00D606425S

(12) **United States Design Patent**  
**Simpson**

(10) **Patent No.:** **US D606,425 S**

(45) **Date of Patent:** **\*\* Dec. 22, 2009**

(54) **MEDICATION OR MEALTIME REMINDER**

(76) **Inventor:** **Stanyard Simpson**, P.O. Box 422,  
Pacolet, SC (US) 29372-0422

(\*\*) **Term:** **14 Years**

(21) **Appl. No.:** **29/314,205**

(22) **Filed:** **Mar. 16, 2009**

(51) **LOC (9) Cl.** ..... **10-03**

(52) **U.S. Cl.** ..... **D10/40**

(58) **Field of Classification Search** ..... D10/40,  
D10/41, 15, 24-26; D14/170, 171; 368/107-123,  
368/316, 317

See application file for complete search history.

(56) **References Cited**

**U.S. PATENT DOCUMENTS**

D240,552	S	*	7/1976	Hamada	.....	D14/171
D258,820	S	*	4/1981	Hamada	.....	D14/171
4,682,299	A	*	7/1987	McIntosh et al.	.....	702/177
4,731,765	A	*	3/1988	Cole et al.	.....	368/10
4,837,719	A	*	6/1989	McIntosh et al.	.....	702/177
4,962,491	A	*	10/1990	Schaeffer	.....	368/21
5,883,859	A	*	3/1999	Bentley	.....	368/10
5,894,455	A	*	4/1999	Sikes	.....	368/12

D422,510	S	*	4/2000	Holland	.....	D10/15
6,072,384	A	*	6/2000	Baker	.....	340/309.7
D429,469	S	*	8/2000	McPhee	.....	D10/40
D487,889	S	*	3/2004	Baker	.....	D14/171
6,906,983	B2	*	6/2005	Williams et al.	.....	368/10
D511,109	S	*	11/2005	Somers	.....	D10/40
7,042,807	B1	*	5/2006	Breen	.....	368/10
D533,081	S	*	12/2006	Kitchings	.....	D10/2
7,158,011	B2	*	1/2007	Brue	.....	340/309.16
2006/0215495	A1	*	9/2006	Soled et al.	.....	368/10

\* cited by examiner

*Primary Examiner*—Lucy Lieberman

(74) *Attorney, Agent, or Firm*—Richard L. Mikesell

(57) **CLAIM**

The ornamental design for a medication or mealtime reminder, as shown and described.

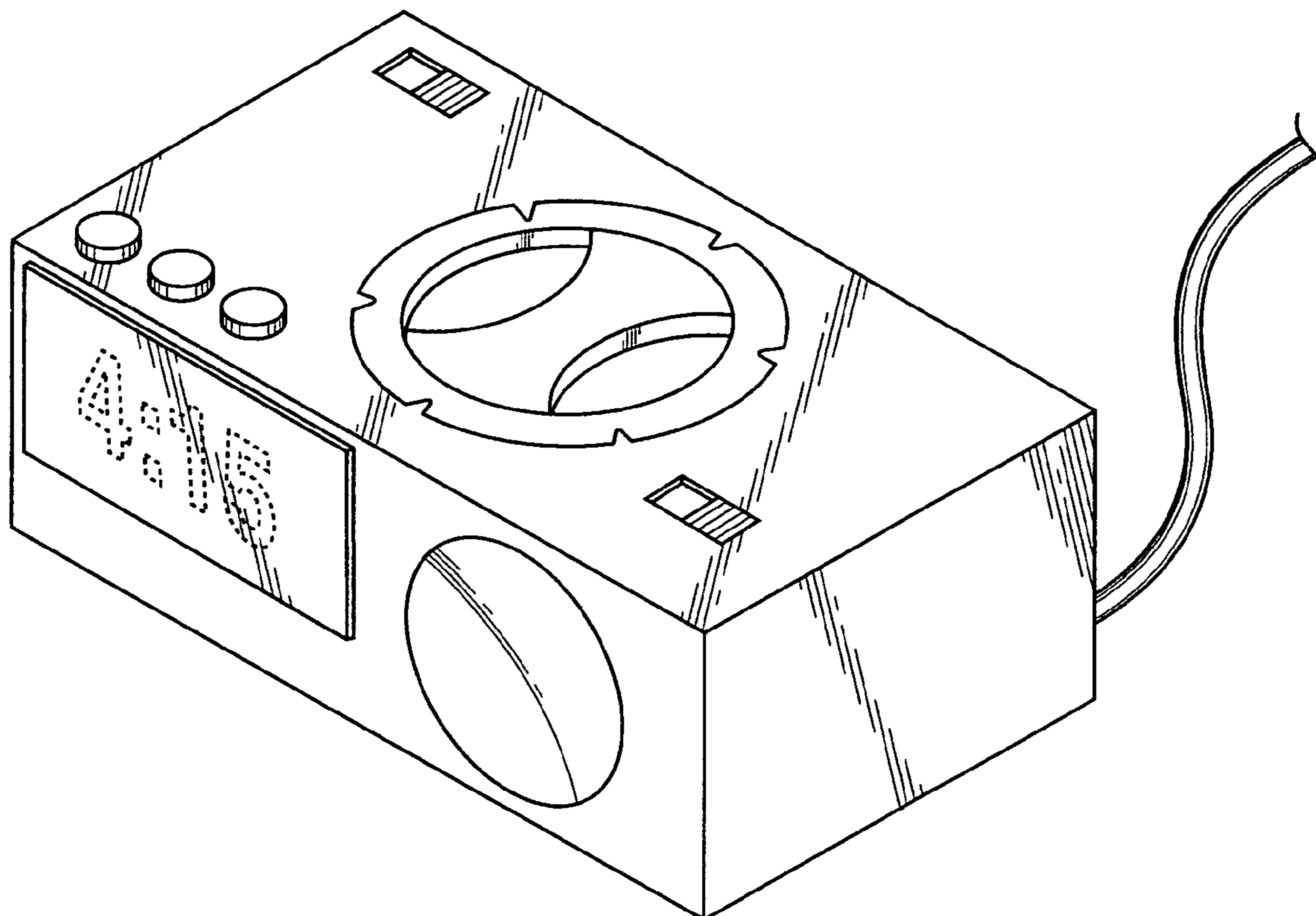
**DESCRIPTION**

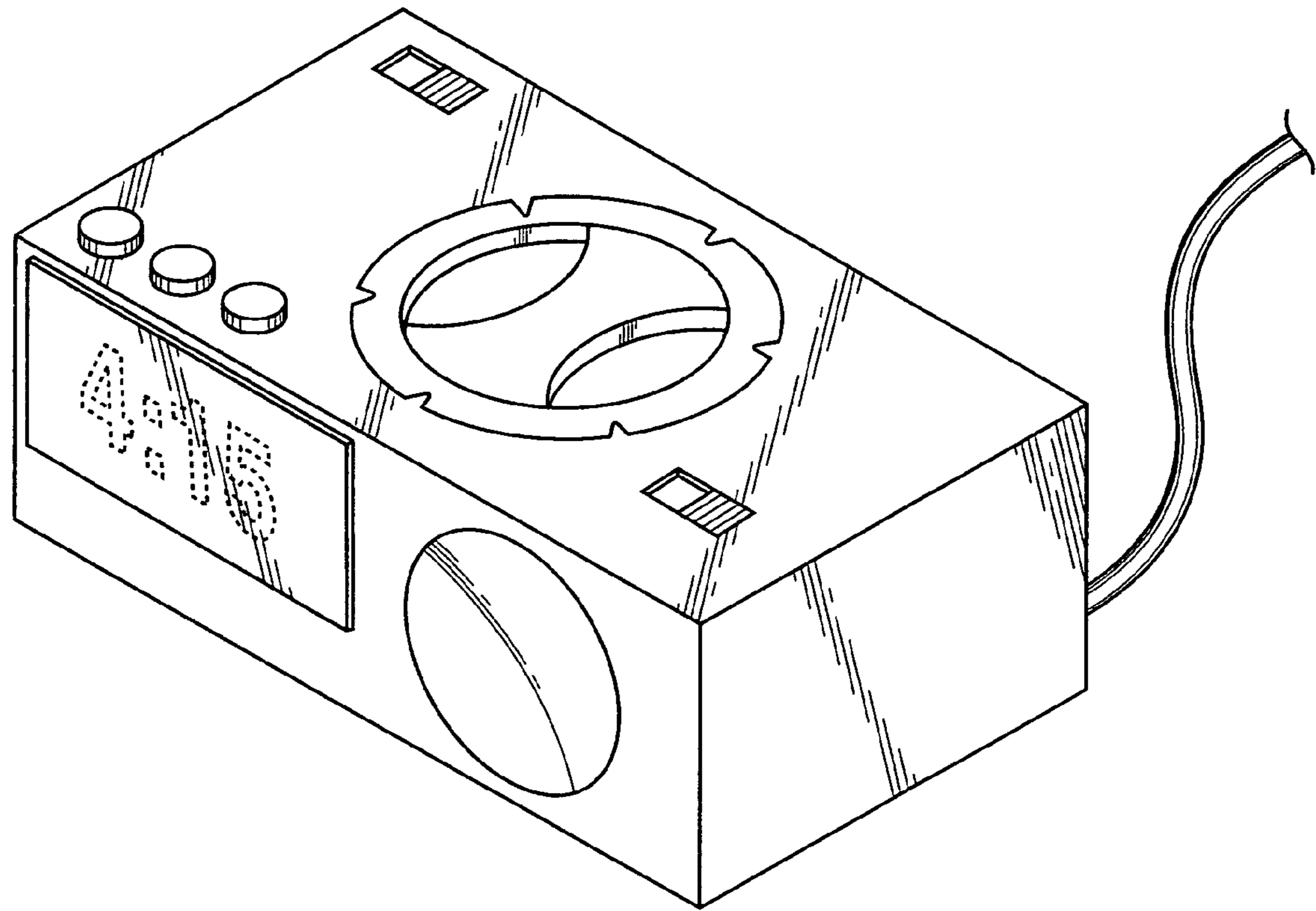
FIG. 1: Top left perspective view.

The rear, bottom and right side are plain and unadorned

The broken lines showing the time on the display are for illustrative purposes only and form no part of the claimed design.

**1 Claim, 1 Drawing Sheet**





**Fig. 1**