



US00D606423S

(12) **United States Design Patent**
Mille

(10) **Patent No.:** **US D606,423 S**

(45) **Date of Patent:** **** Dec. 22, 2009**

(54) **WATCH-CASE**

(75) Inventor: **Richard Mille**, Moulins (FR)

(73) Assignee: **Turlen Holding SA**, Delemont (CH)

(**) Term: **14 Years**

(21) Appl. No.: **29/335,927**

(22) Filed: **Apr. 24, 2009**

Related U.S. Application Data

(62) Division of application No. 29/250,515, filed on Nov. 17, 2006, now Pat. No. Des. 596,051.

Foreign Application Priority Data

May 26, 2006 (WO) DM/067 848

(51) **LOC (9) Cl.** **10-02**

(52) **U.S. Cl.** **D10/38**

(58) **Field of Classification Search** D10/30-39,
D10/122-132; 368/276, 285, 281, 282, 294,
368/295

See application file for complete search history.

(56) **References Cited**

U.S. PATENT DOCUMENTS

- D205,147 S * 6/1966 Trudeau D10/33
- D268,332 S * 3/1983 Weil D10/32
- D302,131 S * 7/1989 Woomer D10/39
- D355,371 S * 2/1995 Strasser D10/30
- D413,526 S * 9/1999 Perrin et al. D10/30
- D456,274 S * 4/2002 Mille D10/30
- D475,935 S * 6/2003 Modolo D10/39

- D508,421 S * 8/2005 Diltoer D10/39
- D528,019 S * 9/2006 Bedat D10/39
- D534,438 S * 1/2007 Bedat D10/32
- D551,096 S * 9/2007 Salemi et al. D10/32
- D563,799 S * 3/2008 Holtzman D10/39
- D568,181 S * 5/2008 Rabassa D10/39
- D573,487 S * 7/2008 Sanz D10/39
- D578,900 S * 10/2008 Nisembaum D10/32
- D579,789 S * 11/2008 Furetta D10/32
- D592,977 S * 5/2009 Furetta D10/32

* cited by examiner

Primary Examiner—Lucy Lieberman

(74) *Attorney, Agent, or Firm*—Collen IP; Donald J. Ranft

(57) **CLAIM**

The ornamental design for a watch-case, as shown and described.

DESCRIPTION

FIG. 1 is a front view of my new and ornamental design for a watch-case;

FIG. 2 is a rear view thereof;

FIG. 3 is a top view thereof;

FIG. 4 is a bottom view thereof;

FIG. 5 is a right side view thereof;

FIG. 6 is a left side view thereof;

FIG. 7 is a right side perspective view thereof; and,

FIG. 8 is a left side perspective view thereof.

The portions of the watch-case shown in broken lines form no part of the claimed design.

1 Claim, 2 Drawing Sheets

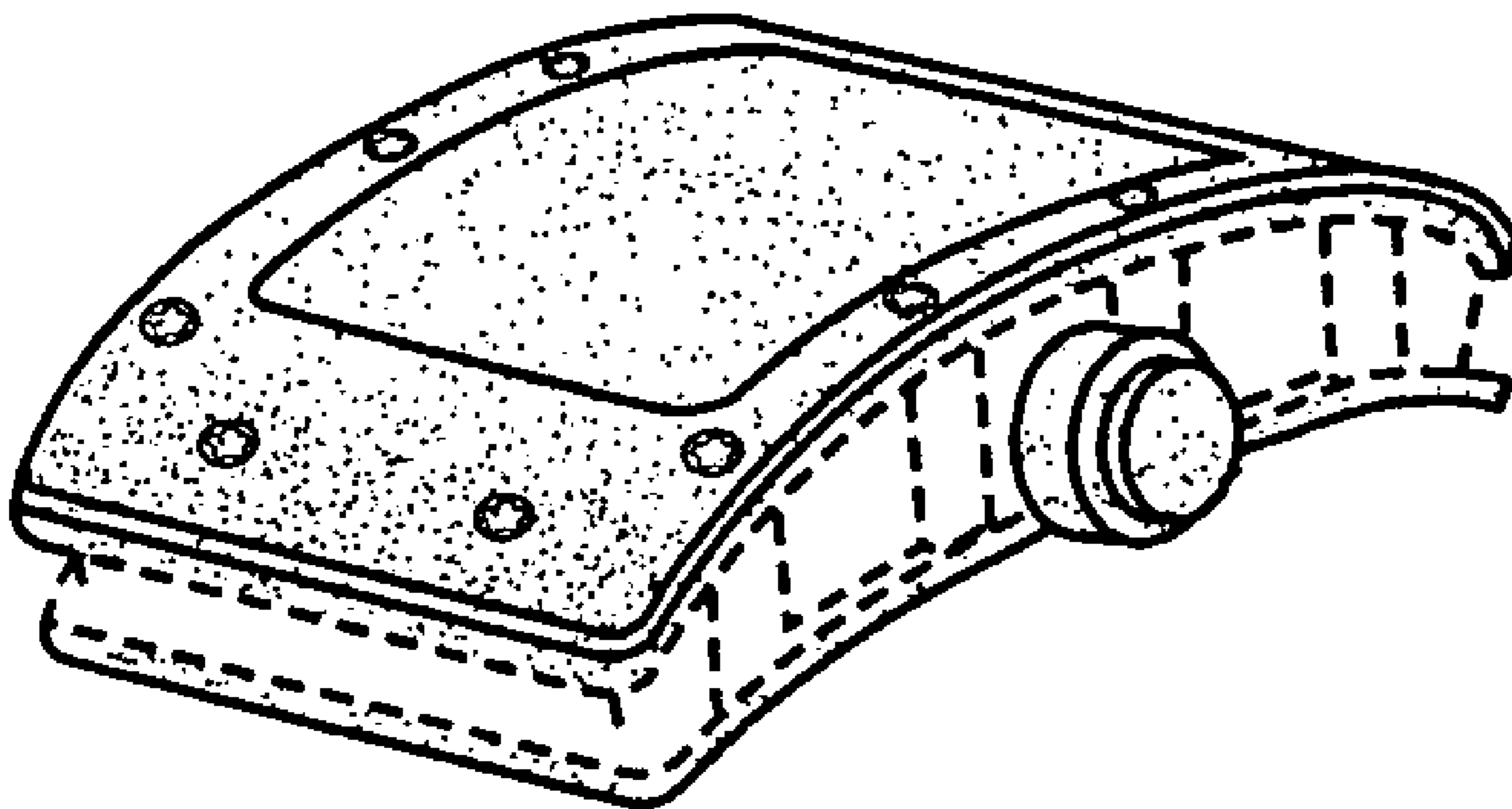


Fig. 1

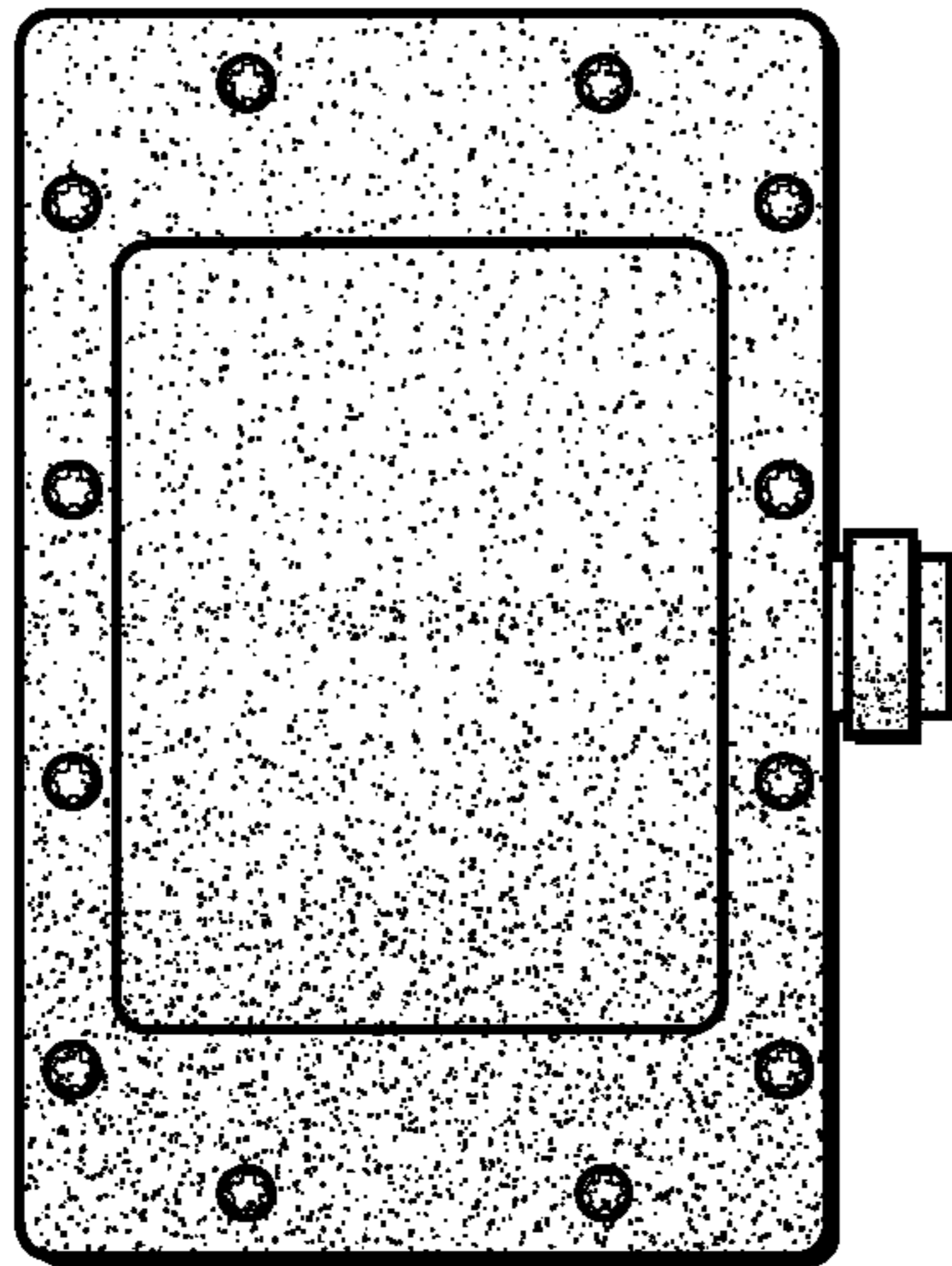


Fig. 2

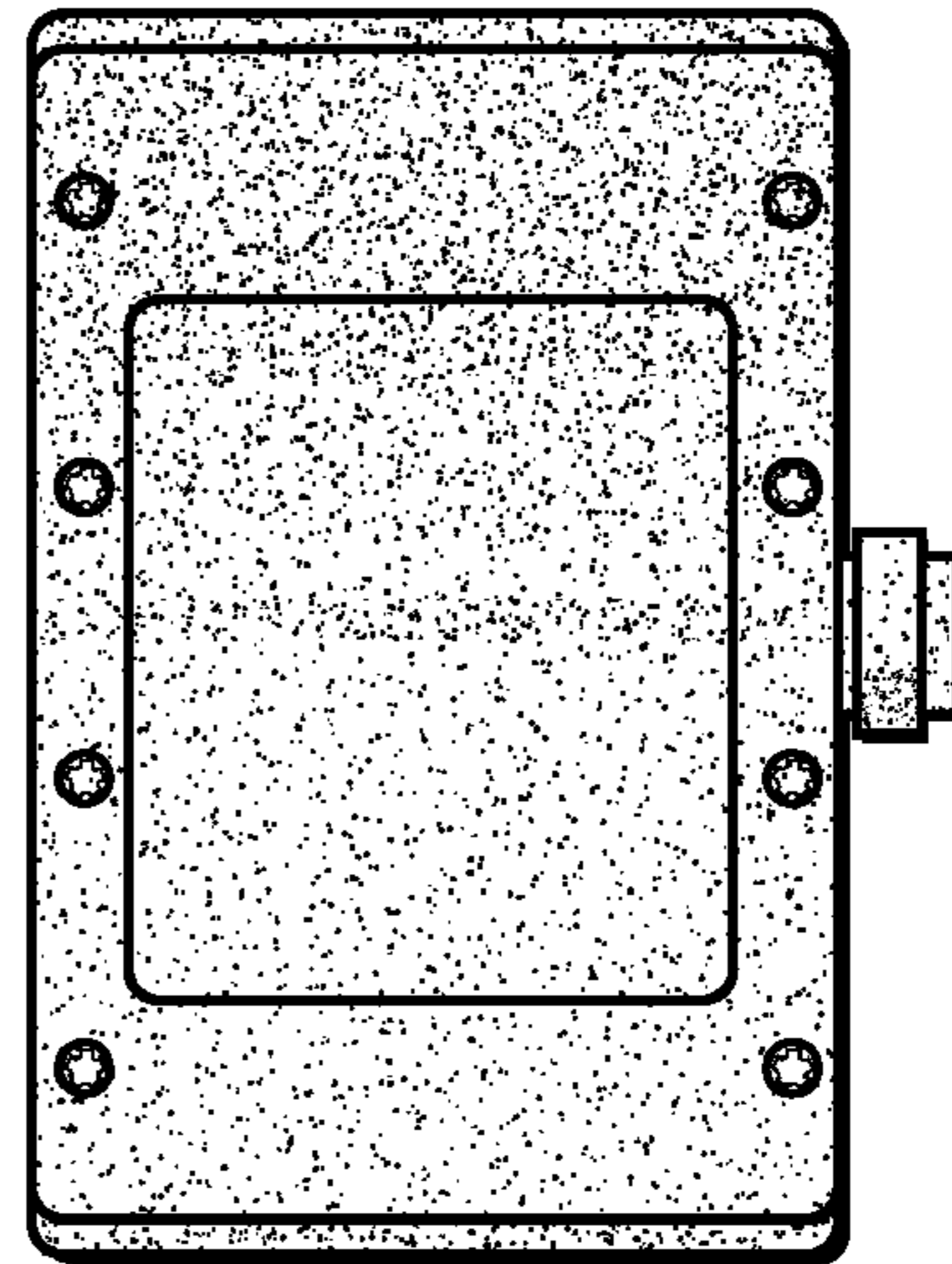


Fig. 3

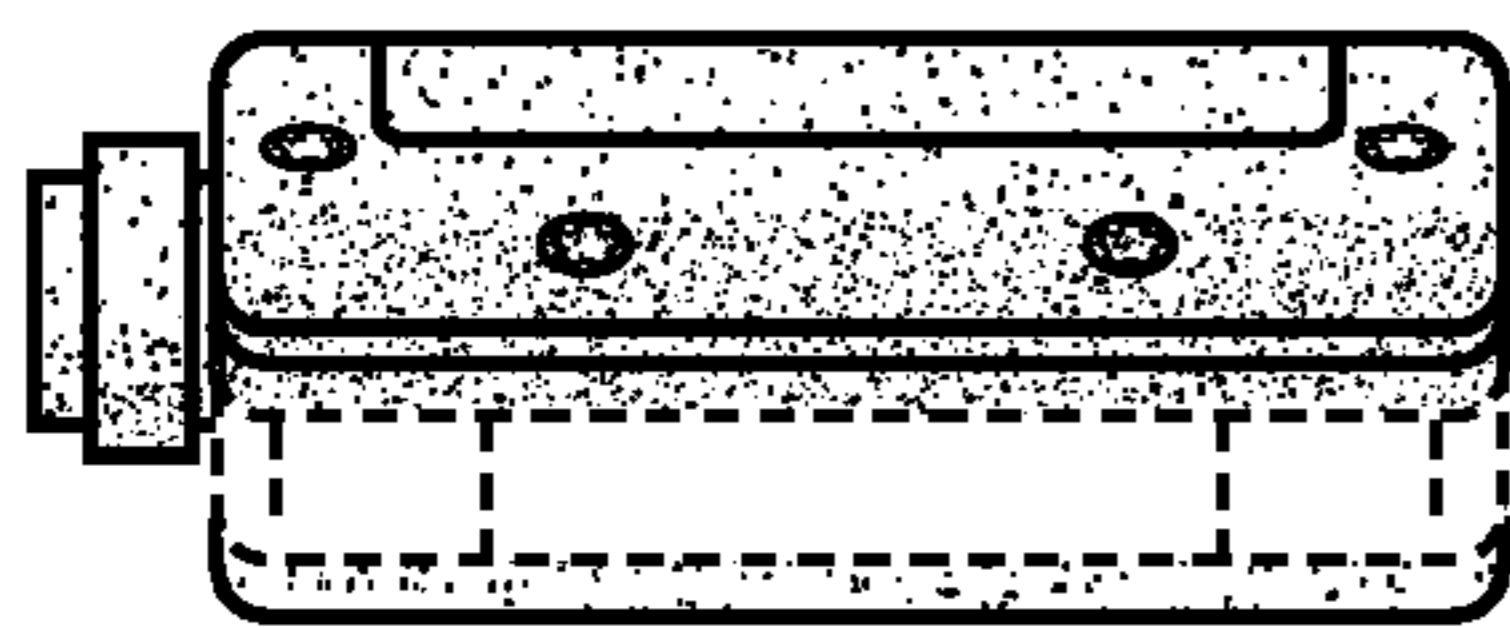


Fig. 4

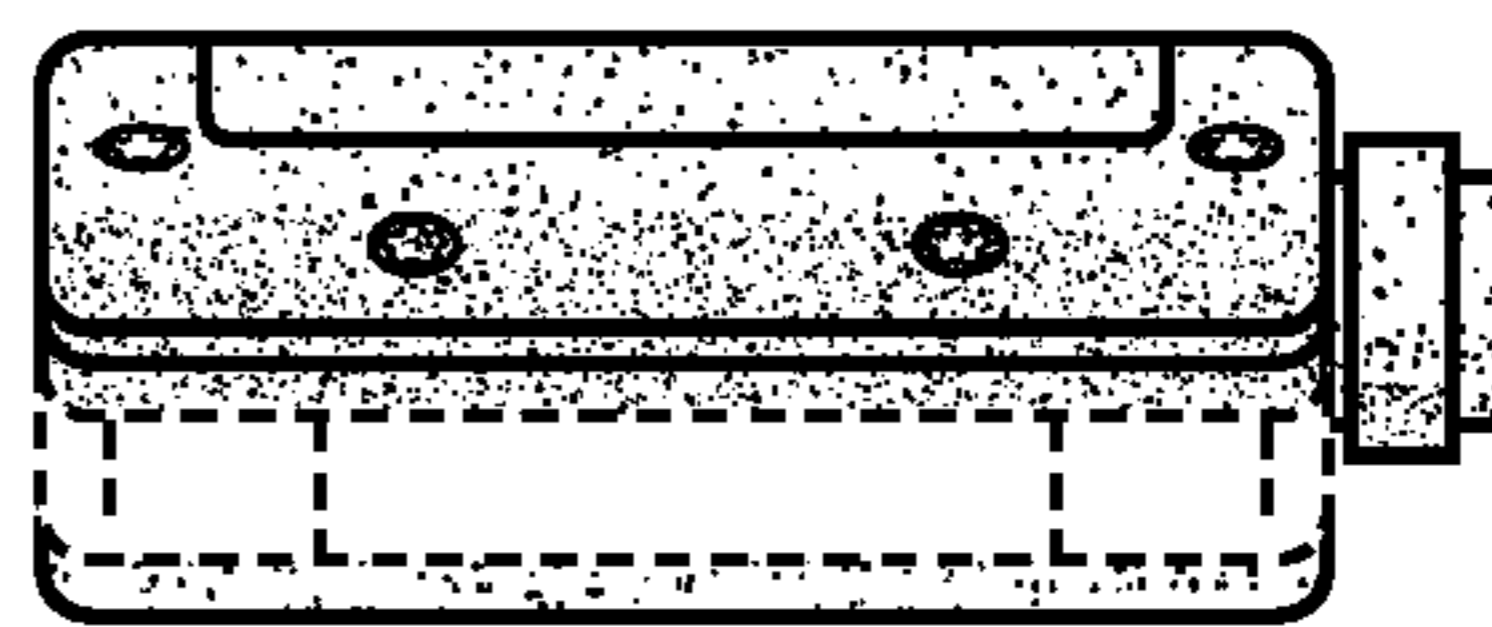


Fig. 5

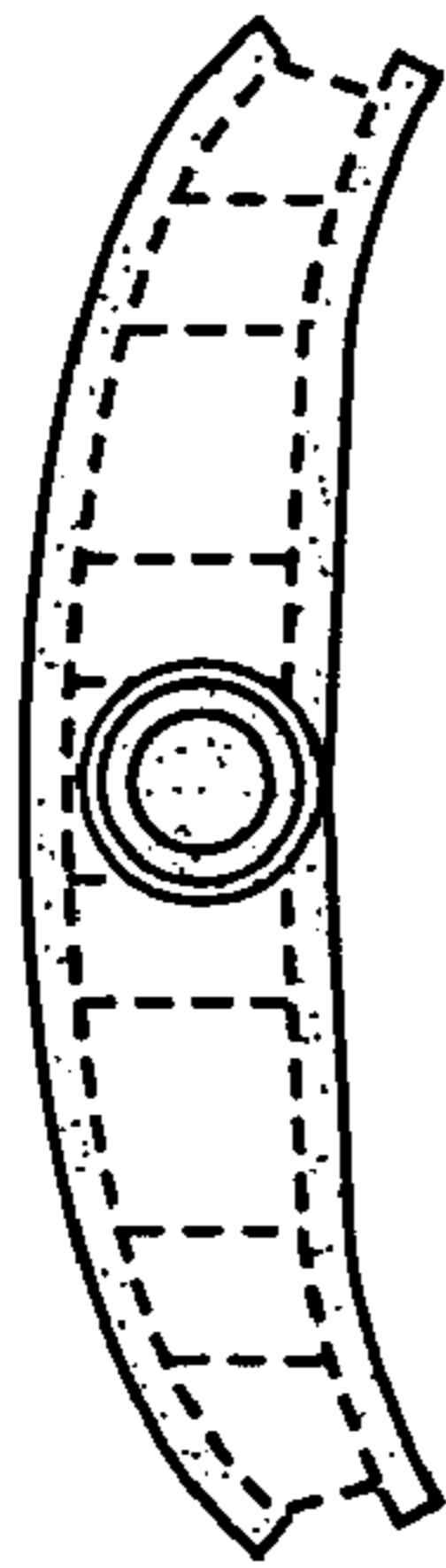


Fig. 6

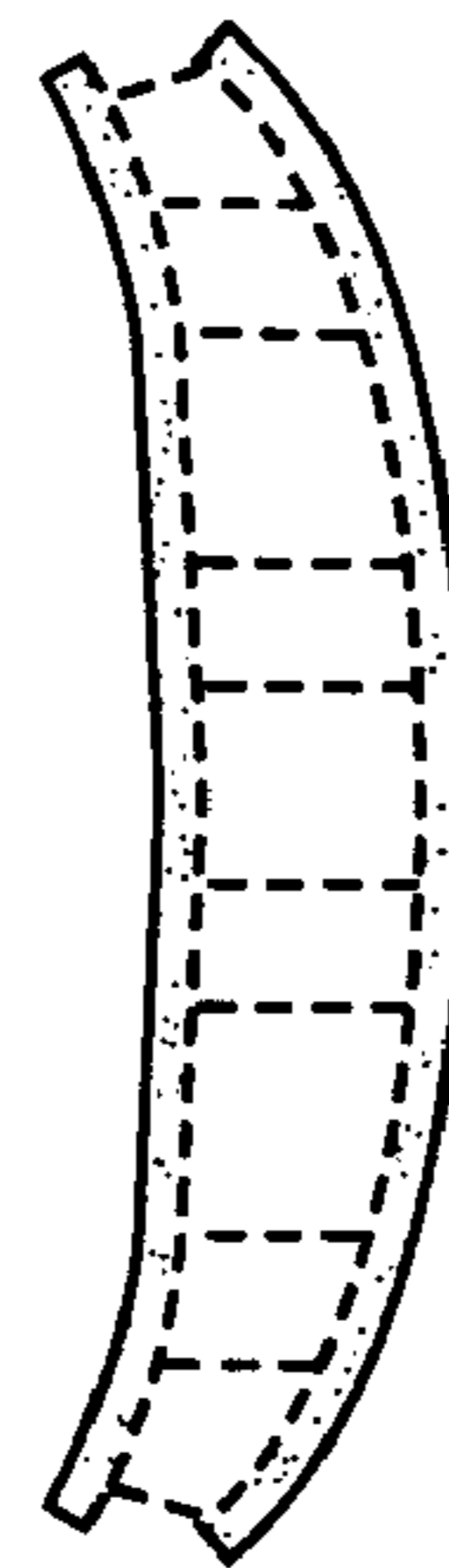


Fig. 7

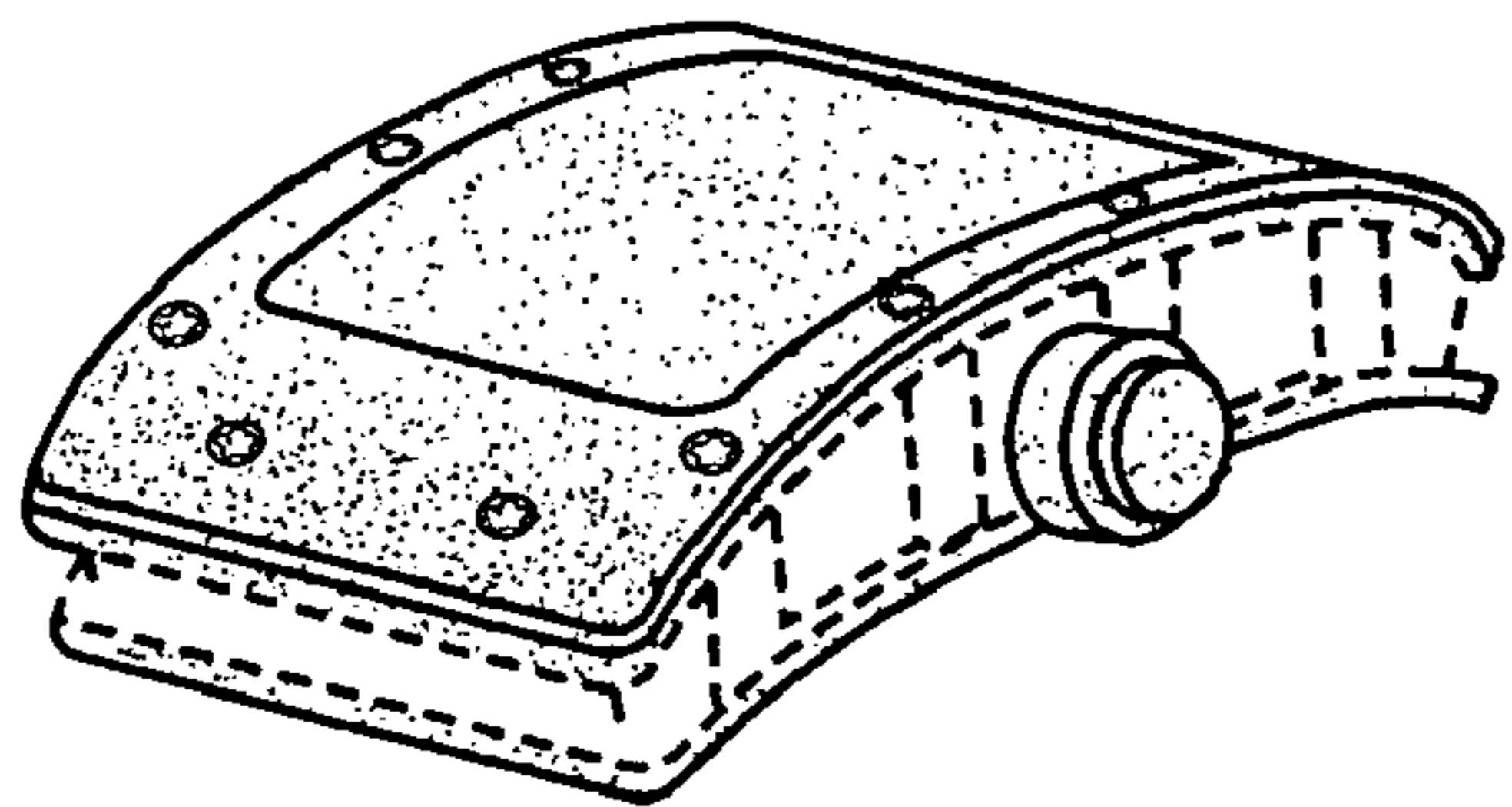


Fig. 8

