



US00D606412S

(12) **United States Design Patent**
Schwartz et al.

(10) **Patent No.:** **US D606,412 S**

(45) **Date of Patent:** **** Dec. 22, 2009**

(54) **CONTAINER**

(75) Inventors: **Krista Rijn Gehring Schwartz**,
Cincinnati, OH (US); **Henry Young**
Chin, Portland, OR (US); **Frederick**
Halden Simonsen, Cincinnati, OH (US);
Tze Ming Lee, Portland, OR (US); **Carl**
Behrend, Portland, OR (US)

(73) Assignee: **The Procter & Gamble Company**,
Cincinnati, OH (US)

(**) Term: **14 Years**

(21) Appl. No.: **29/289,066**

(22) Filed: **Jul. 3, 2007**

(51) **LOC (9) Cl.** **09-01**

(52) **U.S. Cl.** **D9/530; D9/561; D9/565**

(58) **Field of Classification Search** D9/500,
D9/516, 519, 521-522, 524, 529-530, 537-543,
D9/544-547, 549, 551-554, 556-557, 559-561,
D9/564-567, 569-575, 682-694, 452, 454;
215/382-384

See application file for complete search history.

(56) **References Cited**

U.S. PATENT DOCUMENTS

D79,760 S * 10/1929 Rebel D9/529
D219,096 S * 11/1970 Mauri-Closa D9/574
D253,034 S * 10/1979 Meyer et al.
D256,774 S * 9/1980 Bedin D9/542
D311,132 S * 10/1990 Dinand D9/529
D324,331 S * 3/1992 Schmidt D9/516
D329,598 S * 9/1992 Altmann et al. D9/572
D331,703 S * 12/1992 Seguin et al.
D333,618 S * 3/1993 Patel et al.
D372,198 S * 7/1996 Lathrop et al.
D372,870 S * 8/1996 Westerhout D9/516
D398,853 S * 9/1998 Phillips
D407,316 S * 3/1999 Zaksenberg

D409,092 S * 5/1999 Beasley D9/542
D434,311 S * 11/2000 Gavin
D434,670 S * 12/2000 Bernard
D439,518 S * 3/2001 Gavin
D448,999 S * 10/2001 Weber
D449,534 S * 10/2001 LeCoule D9/522
D452,157 S * 12/2001 White et al.
D460,697 S * 7/2002 Del Bon D9/565
D463,747 S * 10/2002 Peon et al.
D469,694 S * 2/2003 Lerolle
D472,154 S * 3/2003 Peon et al.
D472,475 S * 4/2003 Pinard D9/574
D476,900 S * 7/2003 Katz et al. D9/545
D478,815 S * 8/2003 Joubert D9/529
D485,170 S * 1/2004 Hay et al.
D488,383 S * 4/2004 Kudo et al.
D493,364 S * 7/2004 Papiernik D9/687
D497,312 S * 10/2004 Anderson et al.

(Continued)

Primary Examiner—Carol Rademaker

(74) *Attorney, Agent, or Firm*—Linda M. Sivik

(57)

CLAIM

The ornamental design for a container, as shown and described.

DESCRIPTION

FIG. 1 is a perspective view embodying our new design;

FIG. 2 is a front elevational view thereof;

FIG. 3 is a rear elevational view thereof;

FIG. 4 is a left side elevational view thereof;

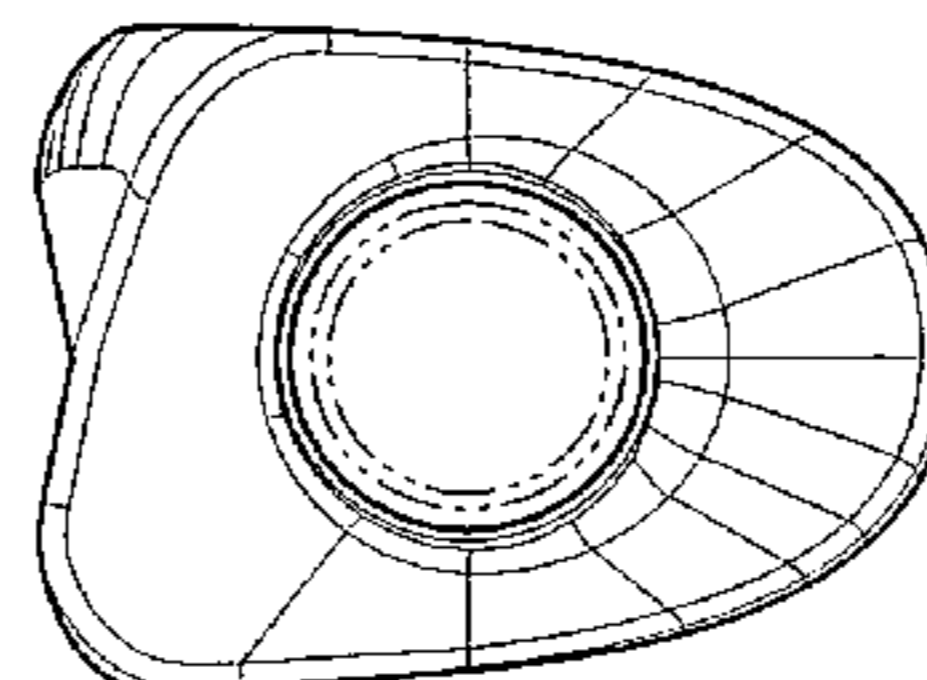
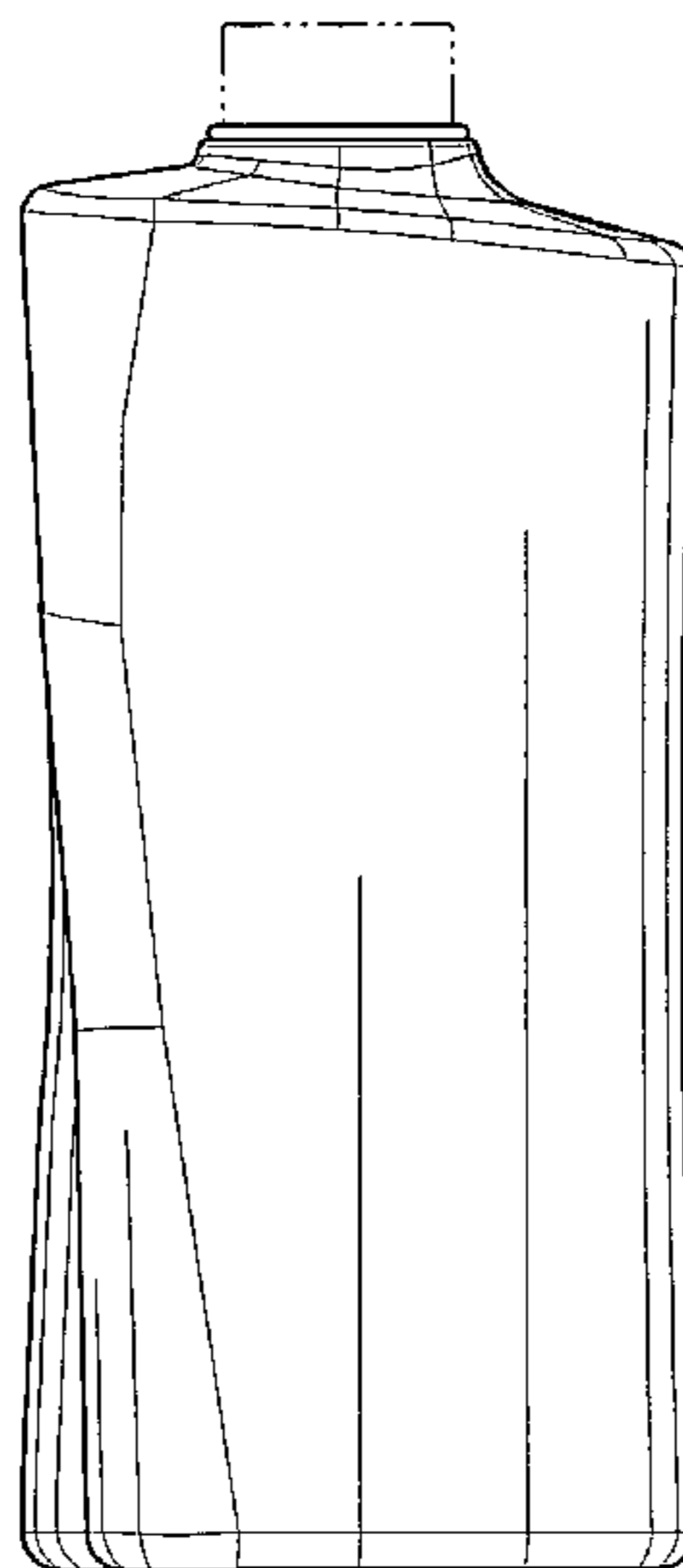
FIG. 5 is a right side elevational view thereof;

FIG. 6 is a top plan view thereof; and,

FIG. 7 is a bottom plan view thereof.

The broken lines shown in the drawing views are included for the purpose of showing environmental structure that forms no part of the claimed design.

1 Claim, 4 Drawing Sheets



US D606,412 S

Page 2

U.S. PATENT DOCUMENTS

D507,748 S *	7/2005	McCutchan et al.	
D508,407 S *	8/2005	Busch et al.	
D509,144 S *	9/2005	Snyder	
D513,993 S *	1/2006	Boyd	
D516,432 S *	3/2006	McCutchan et al.	
D519,383 S *	4/2006	Stolle	D9/565
D520,374 S *	5/2006	Herrmann et al.	D9/561
D531,050 S *	10/2006	Brandt	D9/687
D531,904 S *	11/2006	Sillett et al.	
D536,981 S *	2/2007	Toth et al.	
D548,602 S *	8/2007	Escobosa et al.	
D552,479 S *	10/2007	Mongeon et al.	D9/565
D562,139 S *	2/2008	Crabtree et al.	
D562,140 S *	2/2008	Crabtree et al.	
D568,162 S *	5/2008	Mongeon et al.	D9/529
D569,730 S *	5/2008	Crabtree et al.	
D573,884 S *	7/2008	Crabtree et al.	
D584,638 S *	1/2009	Castelnuovo-Tedesco	D9/686
2005/0098558 A1 *	5/2005	Rae	

* cited by examiner

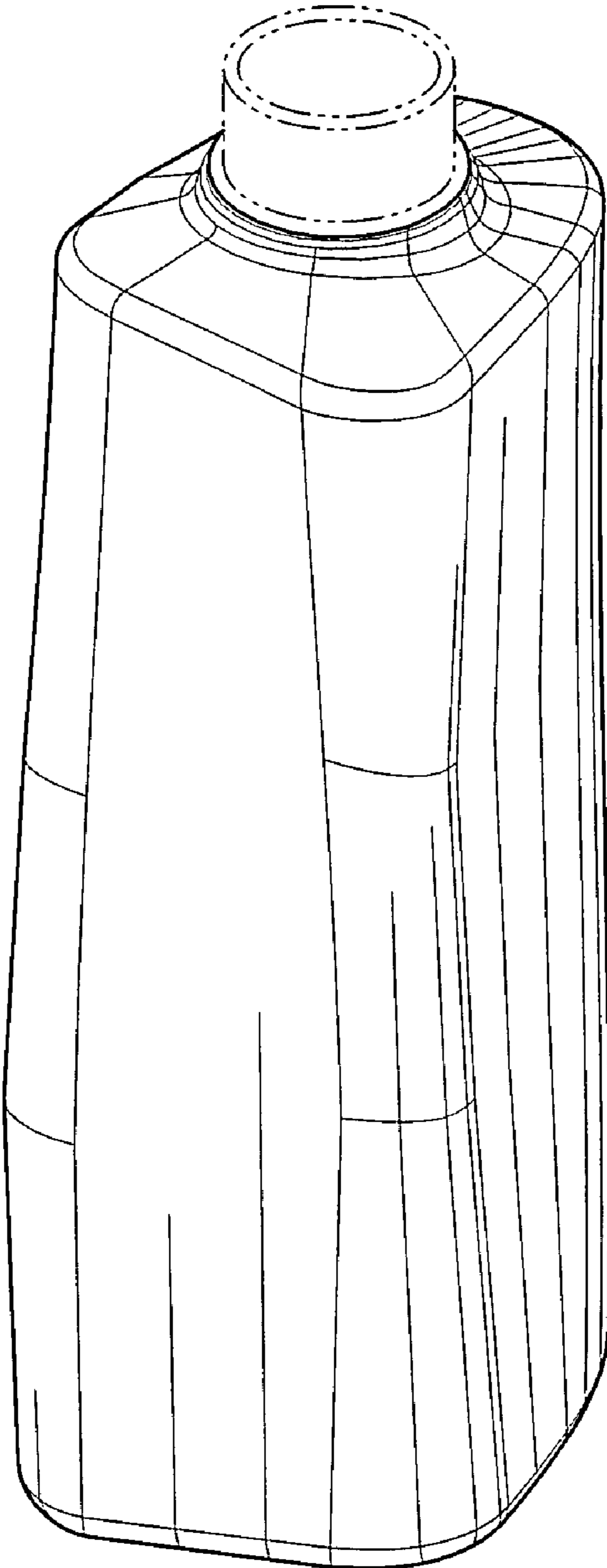


Fig. 1

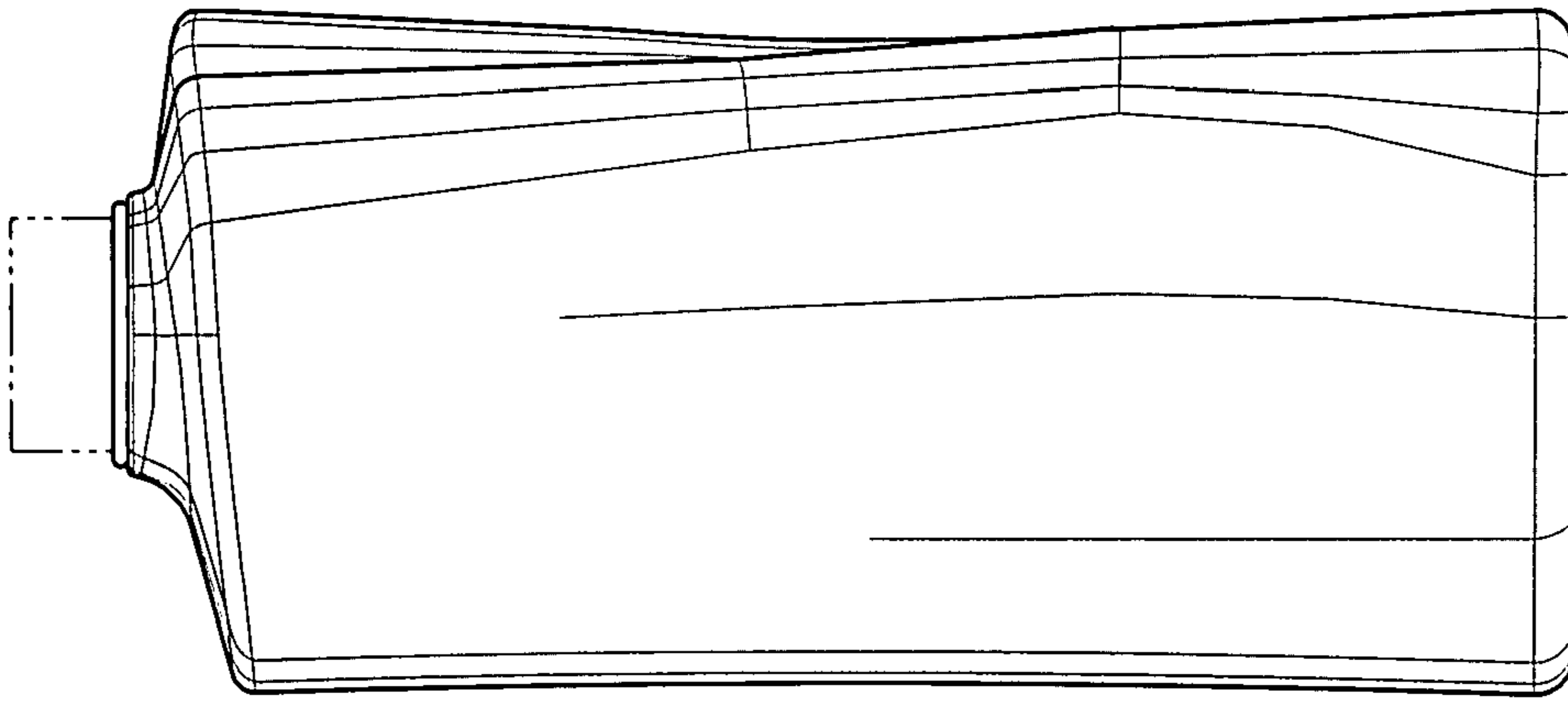


Fig. 3

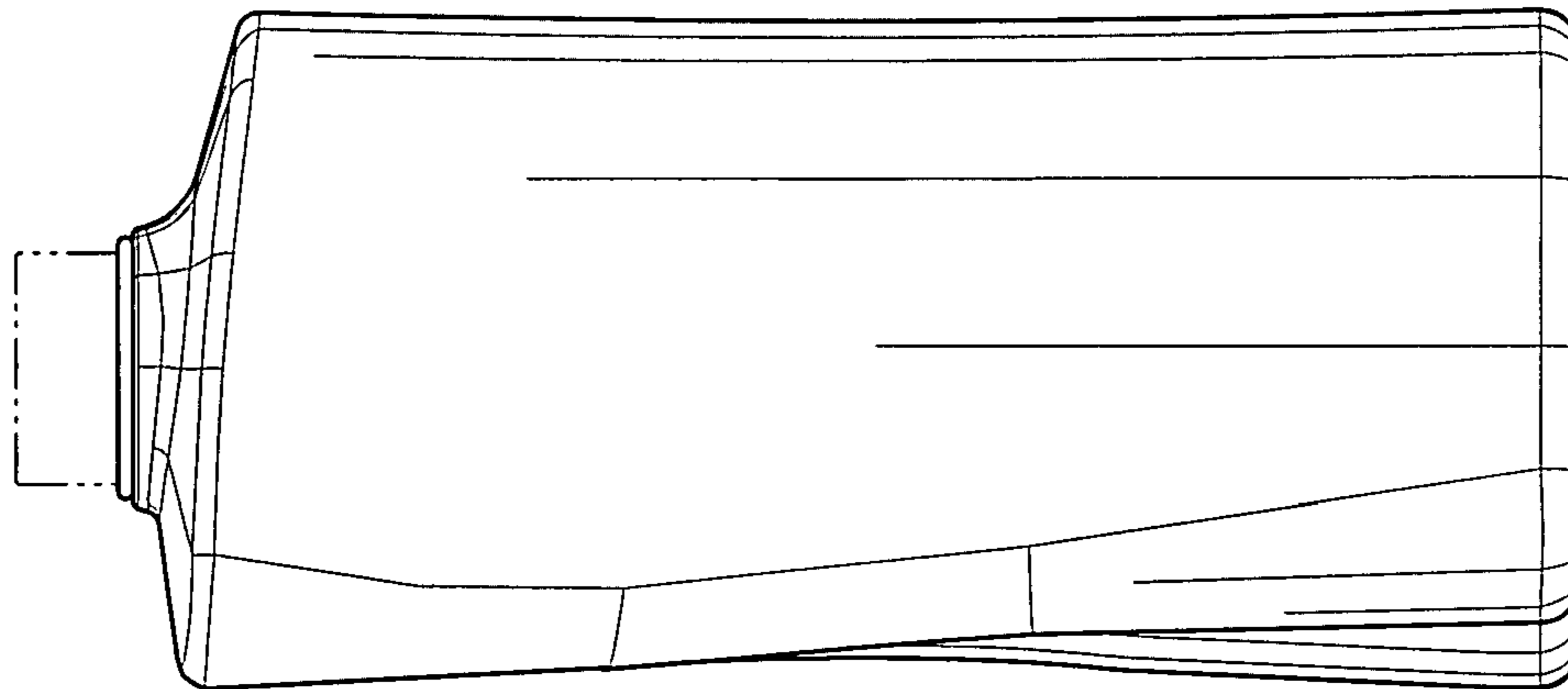


Fig. 2

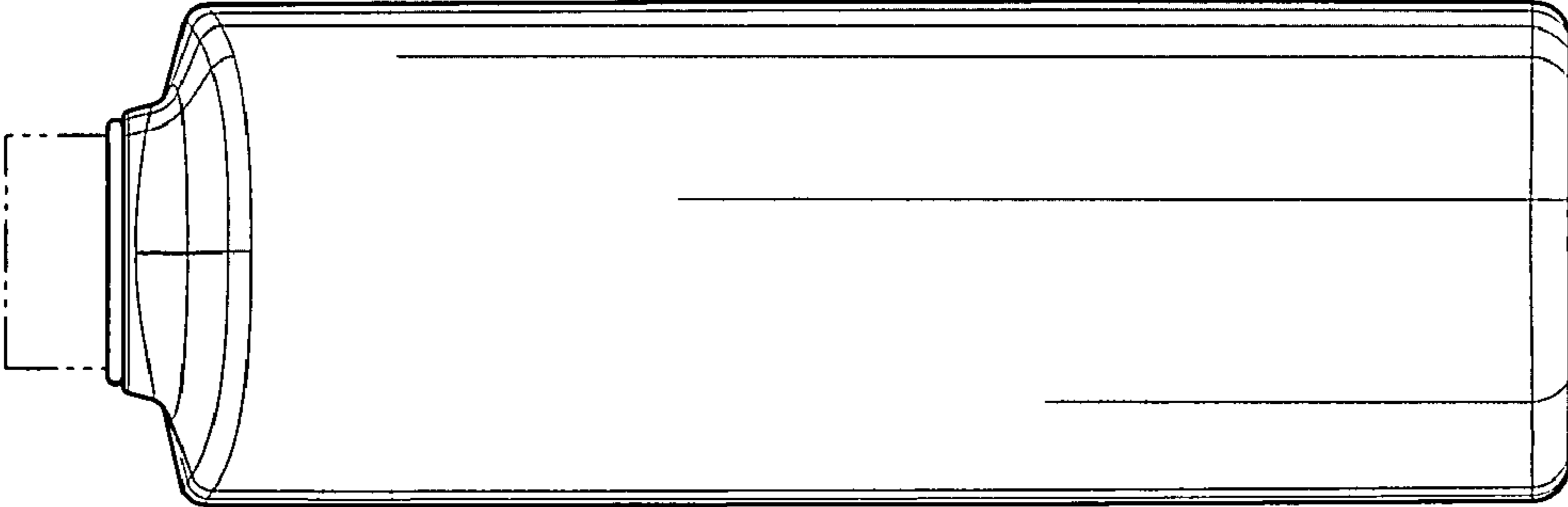


Fig. 5

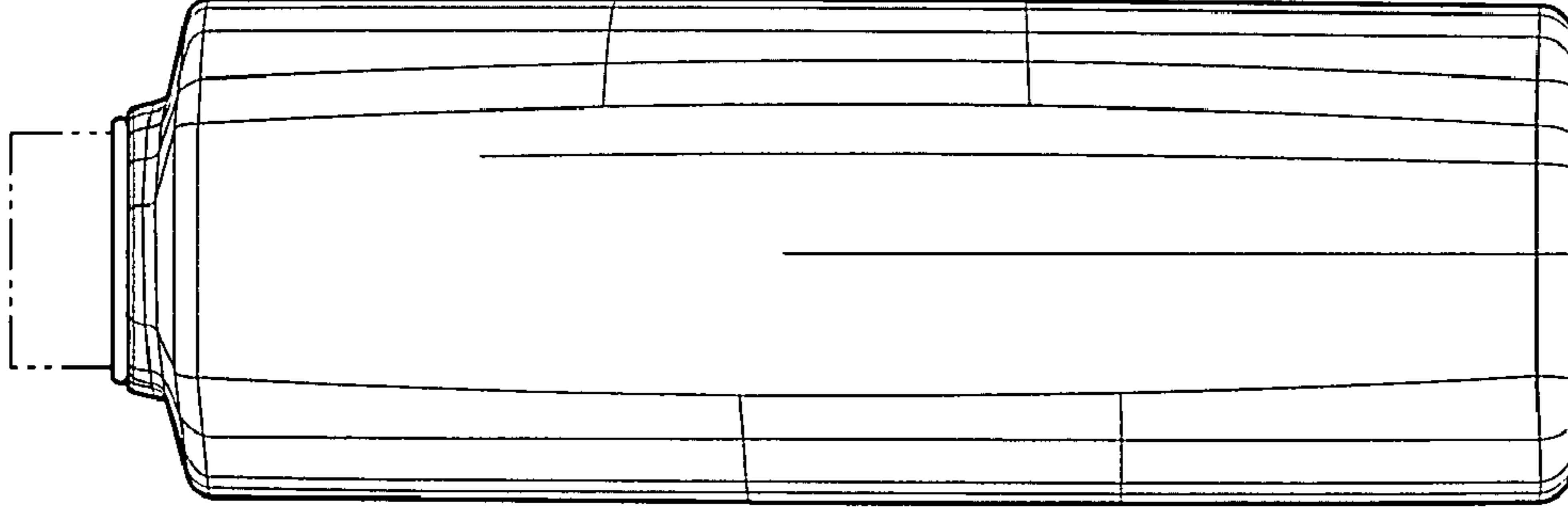


Fig. 4

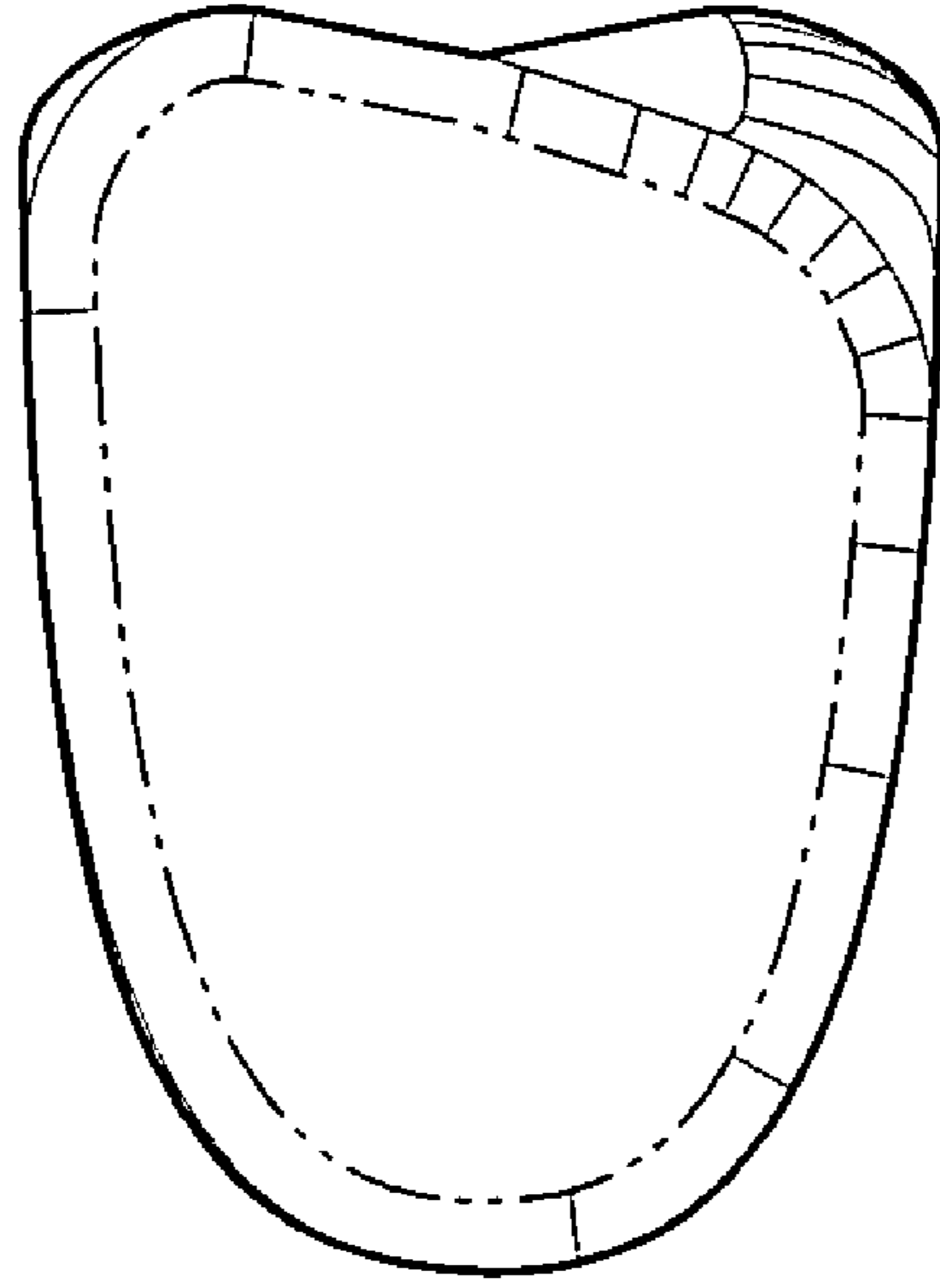


Fig. 6

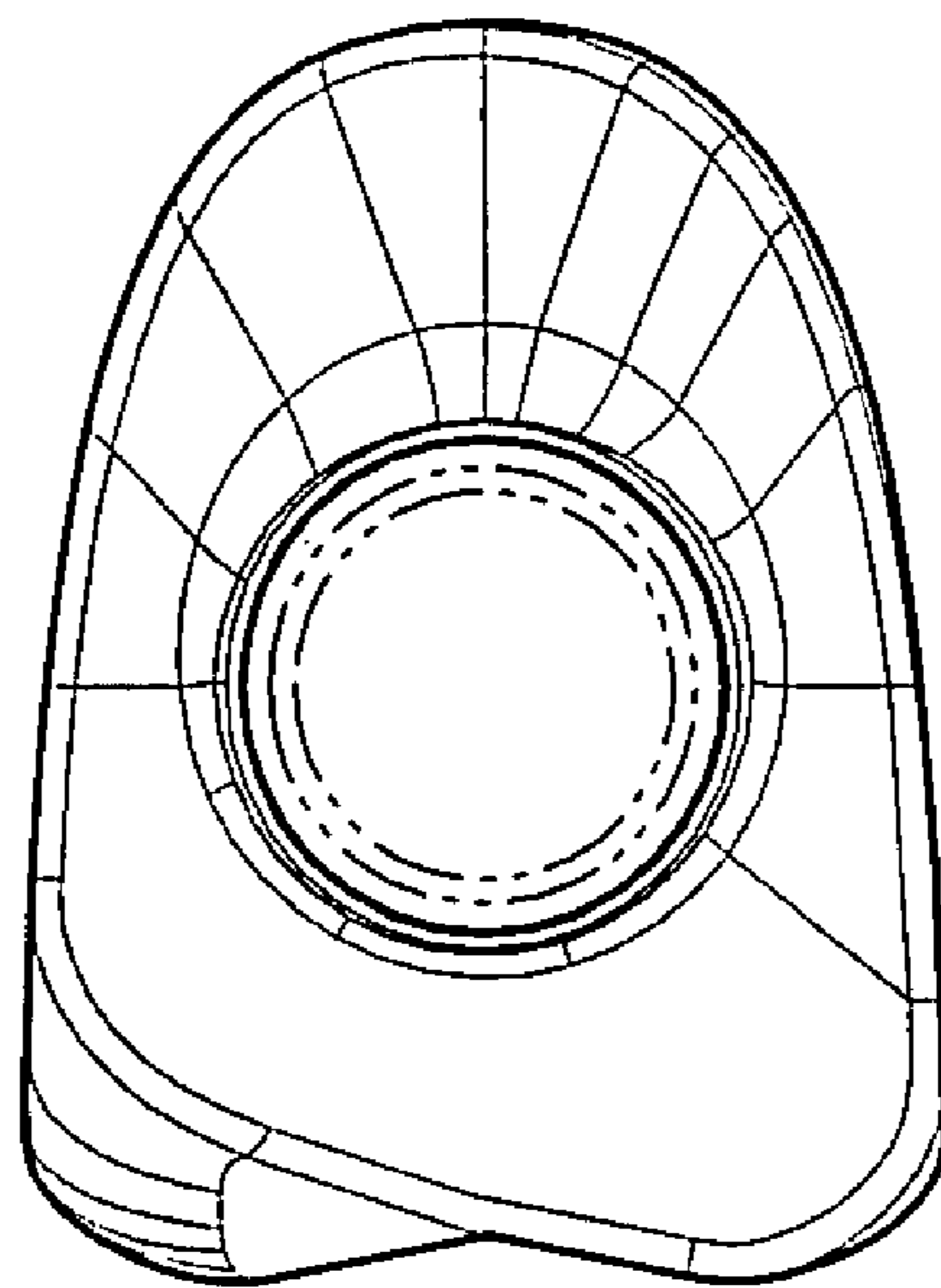


Fig. 7