



US00D606410S

(12) **United States Design Patent**
Kissinger et al.

(10) **Patent No.:** **US D606,410 S**

(45) **Date of Patent:** **** Dec. 22, 2009**

(54) **CONTAINER BASE**

(75) Inventors: **Jeffrey Kissinger**, Wadsworth, OH (US);
Sarah Perez, Akron, OH (US); **Richard C. Darr**, Medina, OH (US)

(73) Assignee: **Plastipak Packaging, Inc.**, Plymouth, MI (US)

(**) Term: **14 Years**

(21) Appl. No.: **29/338,227**

(22) Filed: **Jun. 8, 2009**

(51) **LOC (9) Cl.** **09-01**

(52) **U.S. Cl.** **D9/516; D9/520**

(58) **Field of Classification Search** D9/500,
D9/516, 520, 544, 545, 549, 551, 556, 558,
D9/564, 569, 574; 215/381-385

See application file for complete search history.

(56) **References Cited**

U.S. PATENT DOCUMENTS

4,525,401	A *	6/1985	Pocock et al.	428/66.3
D451,808	S *	12/2001	Darr et al.	D9/520
D454,498	S *	3/2002	Darr et al.	D9/520
D459,658	S *	7/2002	Darr et al.	D9/520
D461,413	S *	8/2002	Darr et al.	D9/520
D476,896	S *	7/2003	Cheng et al.	D9/520
6,585,123	B1 *	7/2003	Pedmo et al.	215/10
D481,938	S *	11/2003	McRae	D9/520
D522,368	S *	6/2006	Darr et al.	D9/516
D528,422	S *	9/2006	Darr et al.	D9/516
D530,615	S *	10/2006	Darr et al.	D9/516

D534,079	S *	12/2006	Livingston	D9/516
D542,136	S *	5/2007	Lilico	D9/520
D546,687	S *	7/2007	Boukobza	D9/516
D547,186	S *	7/2007	Boukobza	D9/516
D551,080	S *	9/2007	Pedmo et al.	D9/516
D557,138	S *	12/2007	Boukobza	D9/520
D561,582	S *	2/2008	Nottingham et al.	D9/434
D570,217	S *	6/2008	Meillerais	D9/502
D581,285	S *	11/2008	Lepoitevin	D9/550
D582,775	S *	12/2008	Pedmo et al.	D9/516
D587,595	S *	3/2009	Schuemann	D9/631
D595,581	S *	7/2009	Brunson	D9/520
2007/0000858	A1 *	1/2007	Boukobza	215/373

* cited by examiner

Primary Examiner—Stella M Reid

Assistant Examiner—Elizabeth J Oswecki

(74) *Attorney, Agent, or Firm*—Dykema Gossett PLLC

(57) **CLAIM**

The ornamental design for a container base, as shown and described.

DESCRIPTION

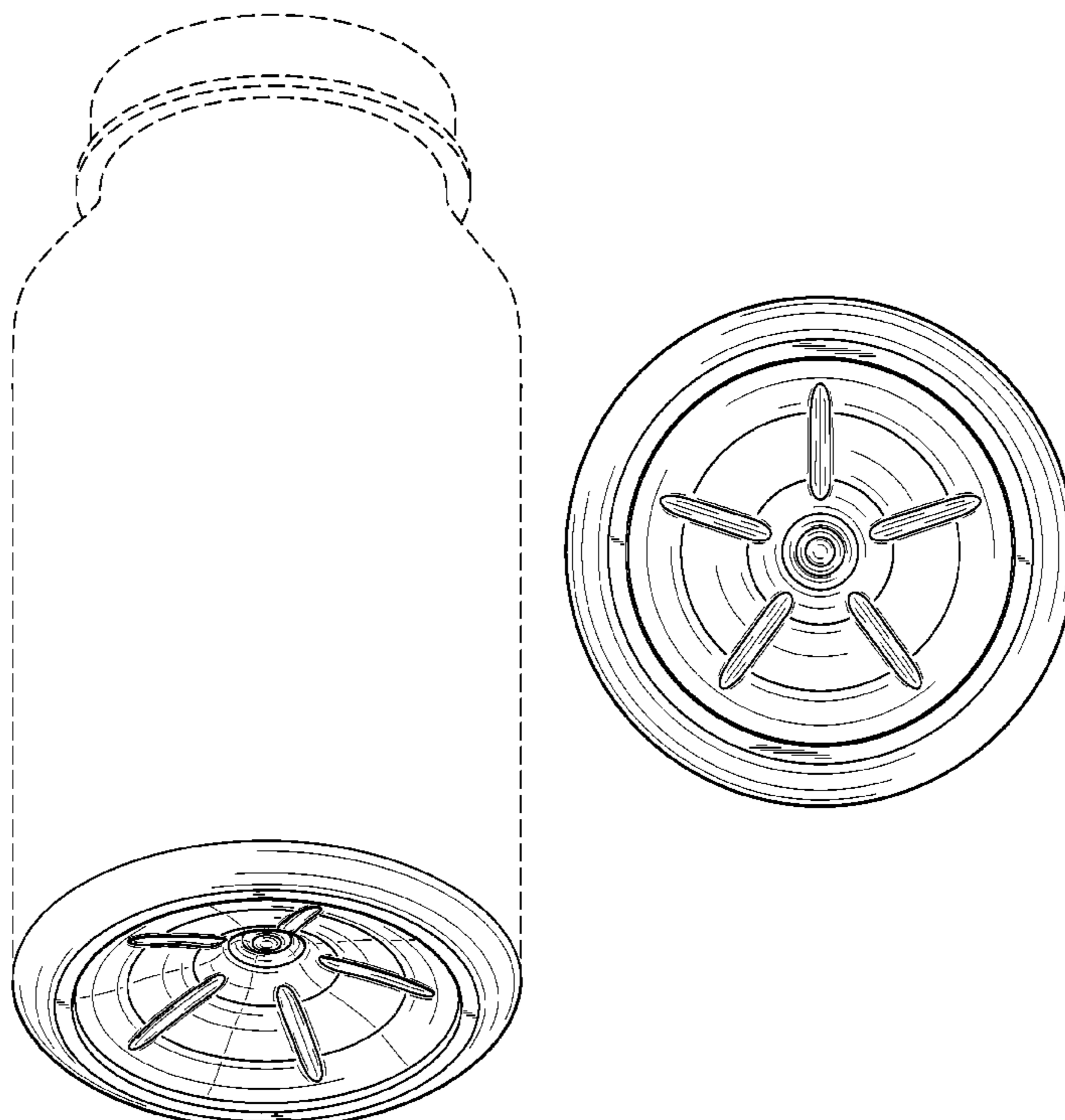
FIG. 1 is a bottom perspective view of a container base showing our new design;

FIG. 2 is a bottom plan view thereof; and,

FIG. 3 is a side elevation view thereof.

The broken lines showing of a bottle in FIGS. 1 and 3 are included for the purpose of illustrating environmental structure only and form no part of the claimed design.

1 Claim, 3 Drawing Sheets



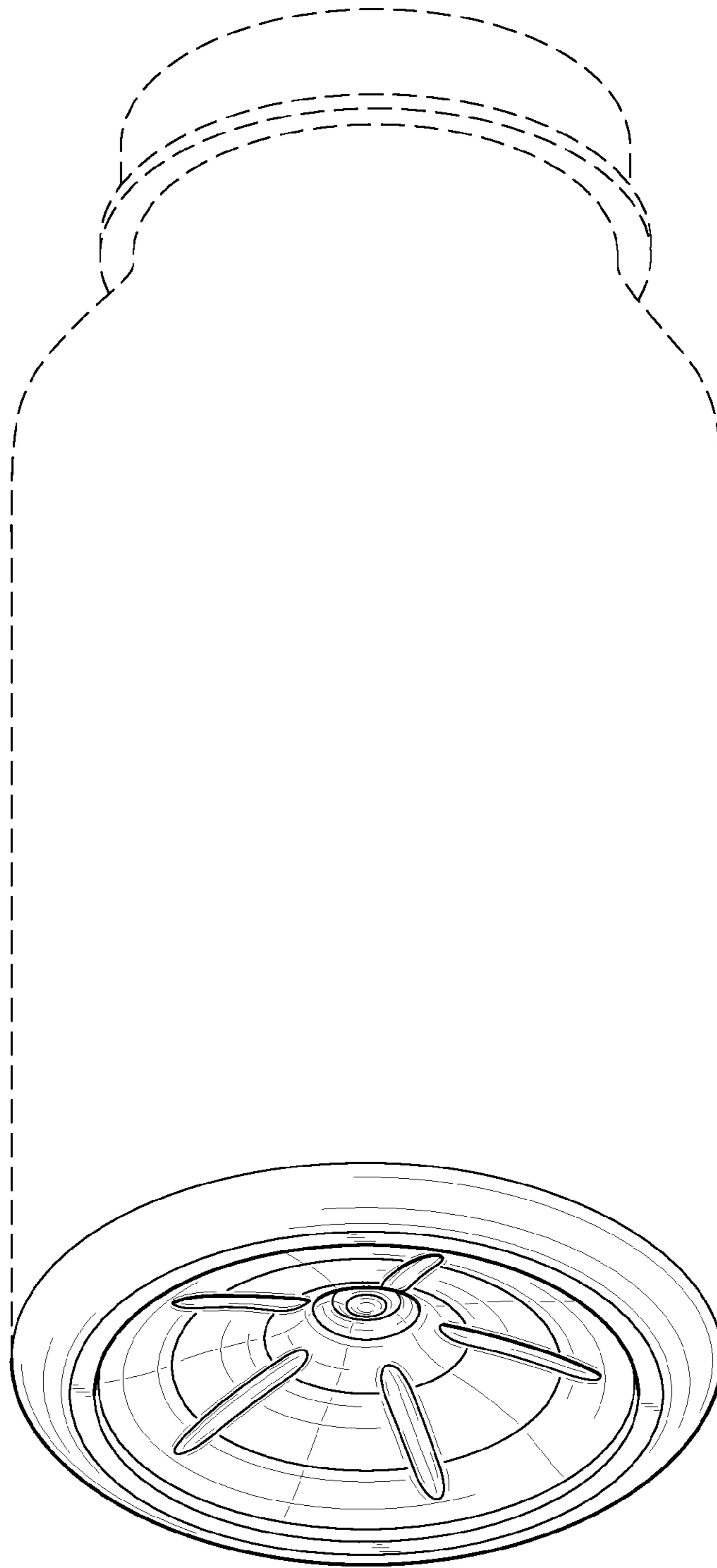


FIG. 1

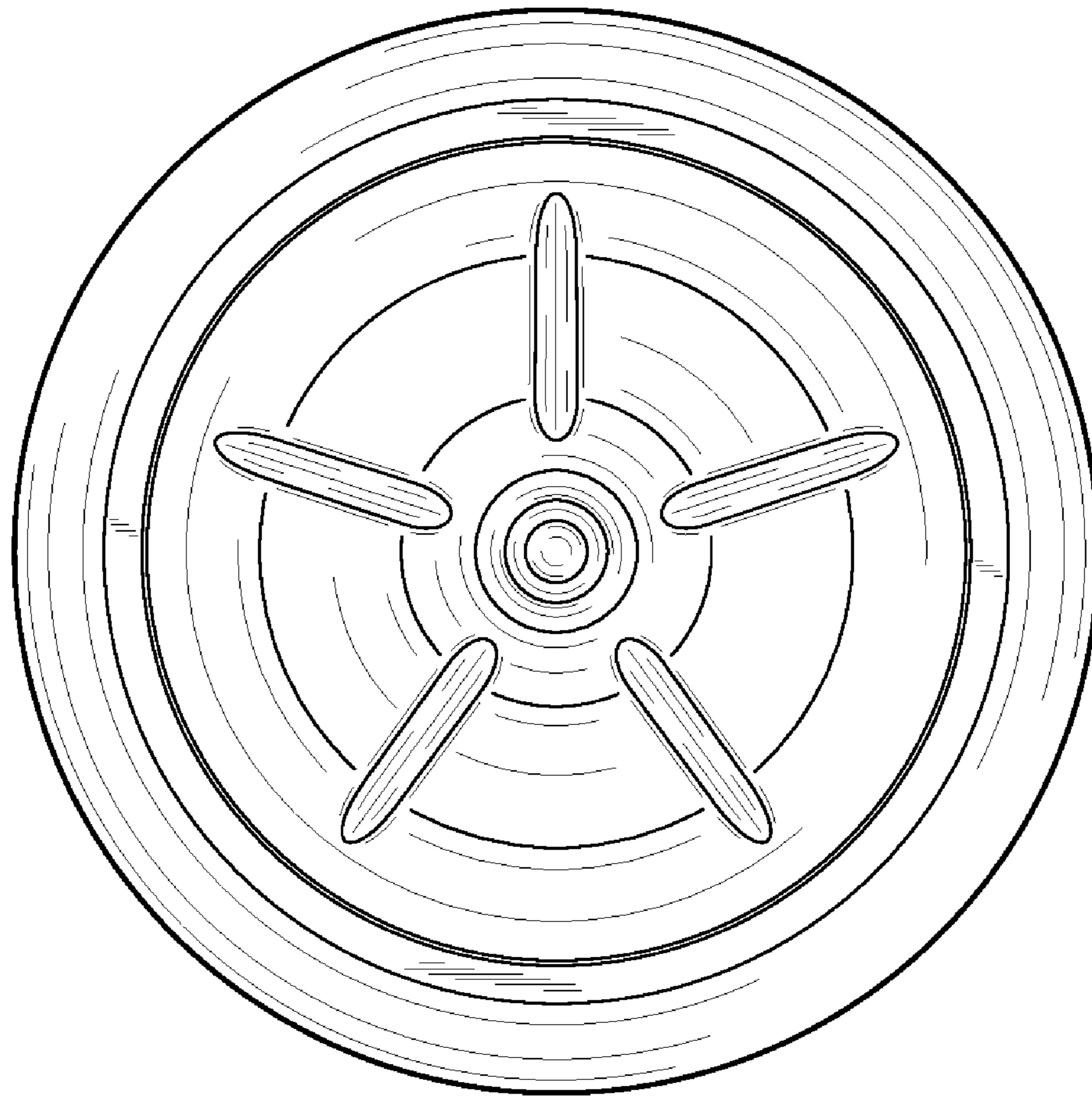


FIG. 2

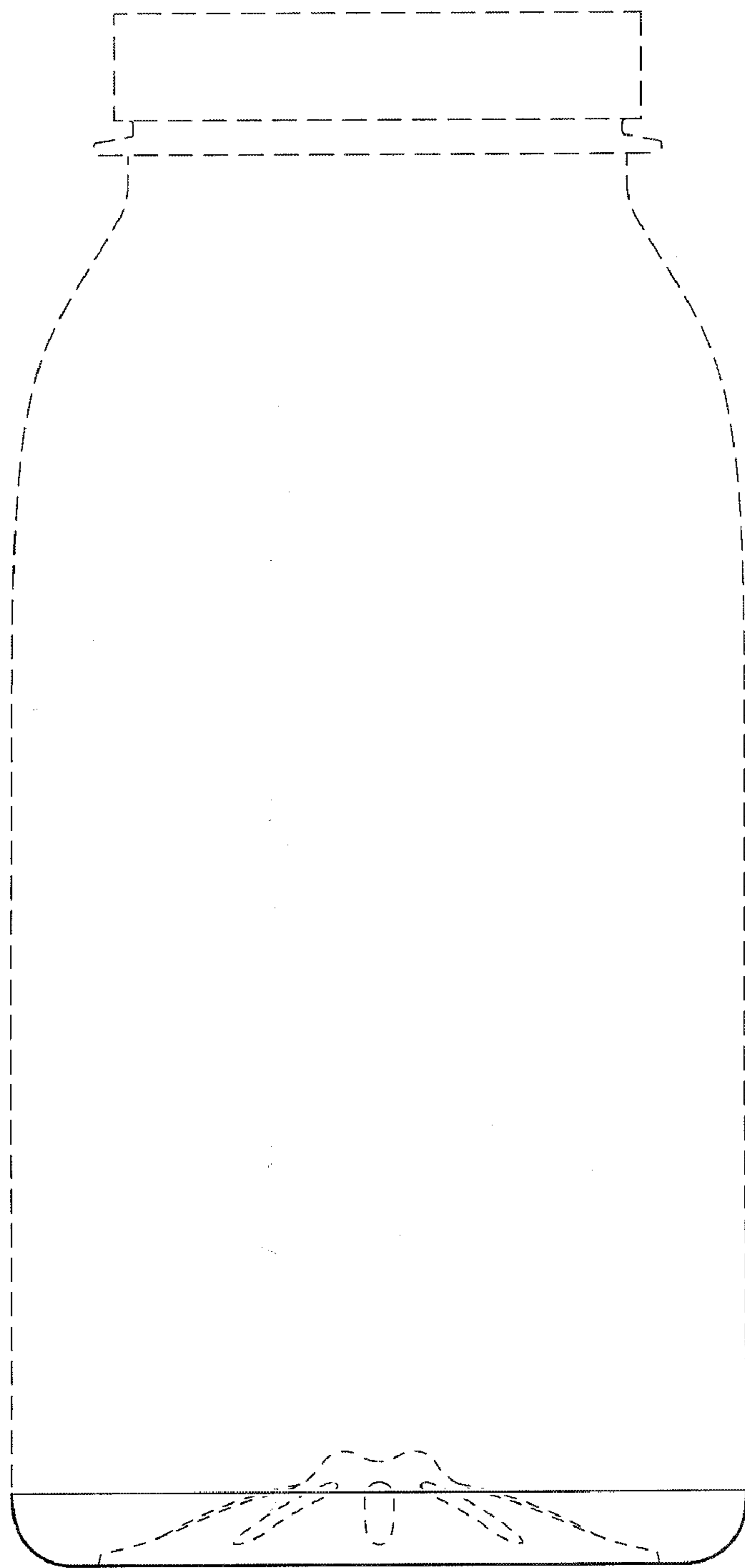


FIG. 3