

US00D606409S

(12) **United States Design Patent**
Rica

(10) **Patent No.:** **US D606,409 S**

(45) **Date of Patent:** **** *Dec. 22, 2009**

(54) **BOTTLE**

(75) Inventor: **Didier Rica**, Le Mont Saint Adrien (FR)

(73) Assignee: **Saverglass, Inc.**, Ramsey, NJ (US)

(*) Notice: This patent is subject to a terminal disclaimer.

(**) Term: **14 Years**

(21) Appl. No.: **29/326,888**

(22) Filed: **Oct. 27, 2008**

(51) **LOC (9) Cl.** **09-01**

(52) **U.S. Cl.** **D9/516; D9/544; D9/560**

(58) **Field of Classification Search** D9/434,
D9/435, 500, 516, 520, 544, 545, 546, 549,
D9/560, 574; 215/381-385

See application file for complete search history.

(56) **References Cited**

U.S. PATENT DOCUMENTS

D17,515 S *	8/1887	Dalley, Jr.	D9/546
D20,792 S *	6/1891	Rodiger	D9/546
D28,635 S *	5/1898	Modes	D9/546
D31,500 S *	9/1899	Schilling	D9/636
D76,990 S *	11/1928	Curran	D9/523
D83,658 S *	3/1931	Becker	D9/546
D139,331 S *	10/1944	Teunisz	D9/560
D210,353 S *	3/1968	Platte	D9/541
D306,695 S *	3/1990	Smith	D9/563
D488,060 S *	4/2004	Yourist	D9/658

D491,470 S *	6/2004	Yang	D9/560
D543,863 S *	6/2007	Archeny et al.	D9/560
D555,488 S *	11/2007	Marton et al.	D9/544
D555,501 S *	11/2007	Del Bon	D9/572
D561,041 S *	2/2008	Sajous	D9/549
D564,892 S *	3/2008	di Robilant et al.	D9/546
D569,261 S *	5/2008	Sequeira	D9/560

* cited by examiner

Primary Examiner—Stella M Reid

Assistant Examiner—Elizabeth J Oswecki

(57) **CLAIM**

The ornamental design for a bottle, as shown and described.

DESCRIPTION

FIG. 1 is a perspective view of a bottle showing my new design;

FIG. 2 is a front elevational view thereof, the rear, right and left elevational views being the same;

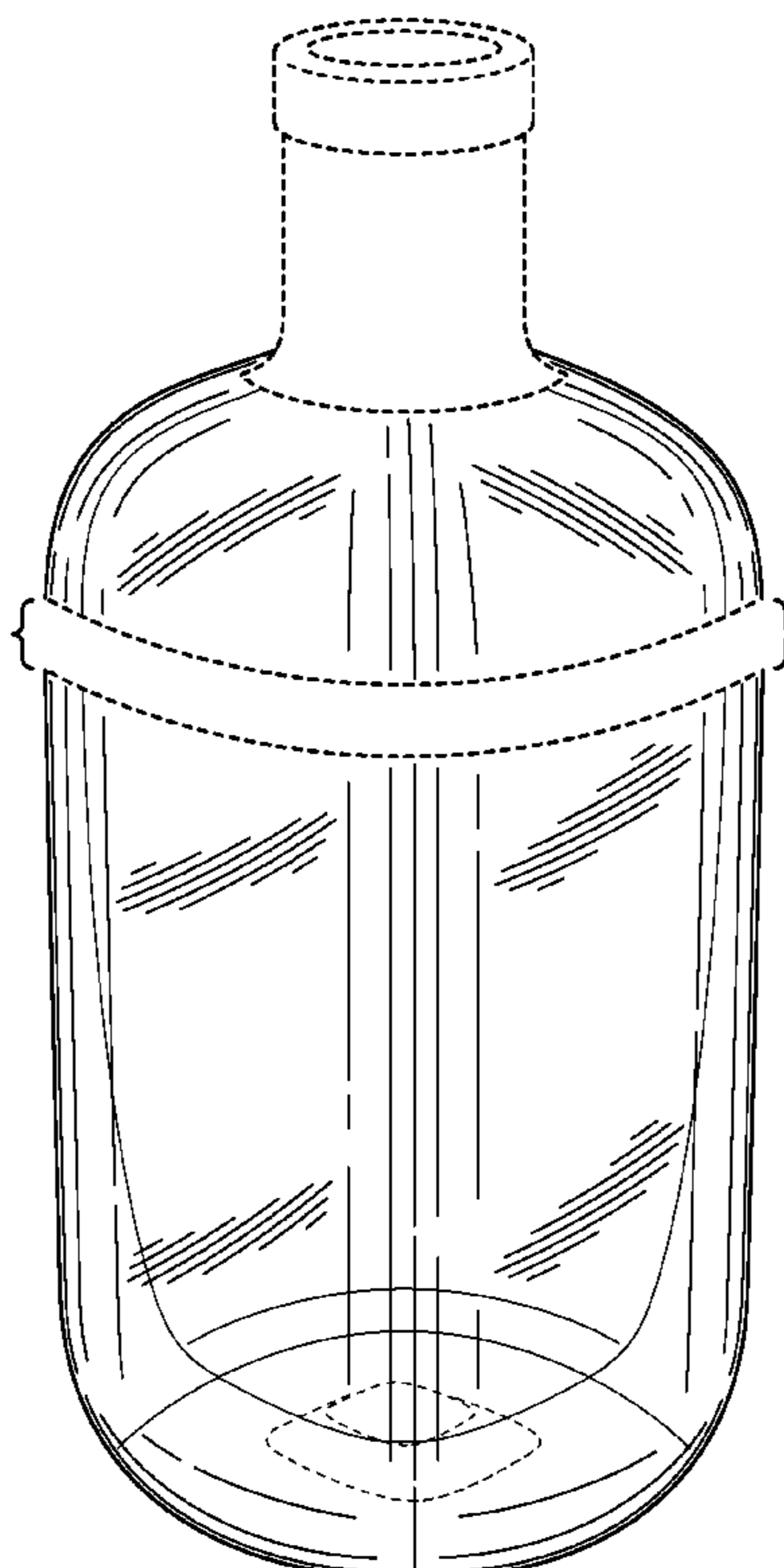
FIG. 3 is a top plan view thereof; and,

FIG. 4 is a bottom plan view thereof, the broken line at the bottom periphery of the pour spout being omitted from FIG. 4 for clarity purposes.

FIGS. 1 and 2 are shown broken away to indicate indeterminate height.

The broken line showing of a pour spout and bottom of a bottle is included for the purpose of illustrating only and forms no part of the claimed design.

1 Claim, 4 Drawing Sheets



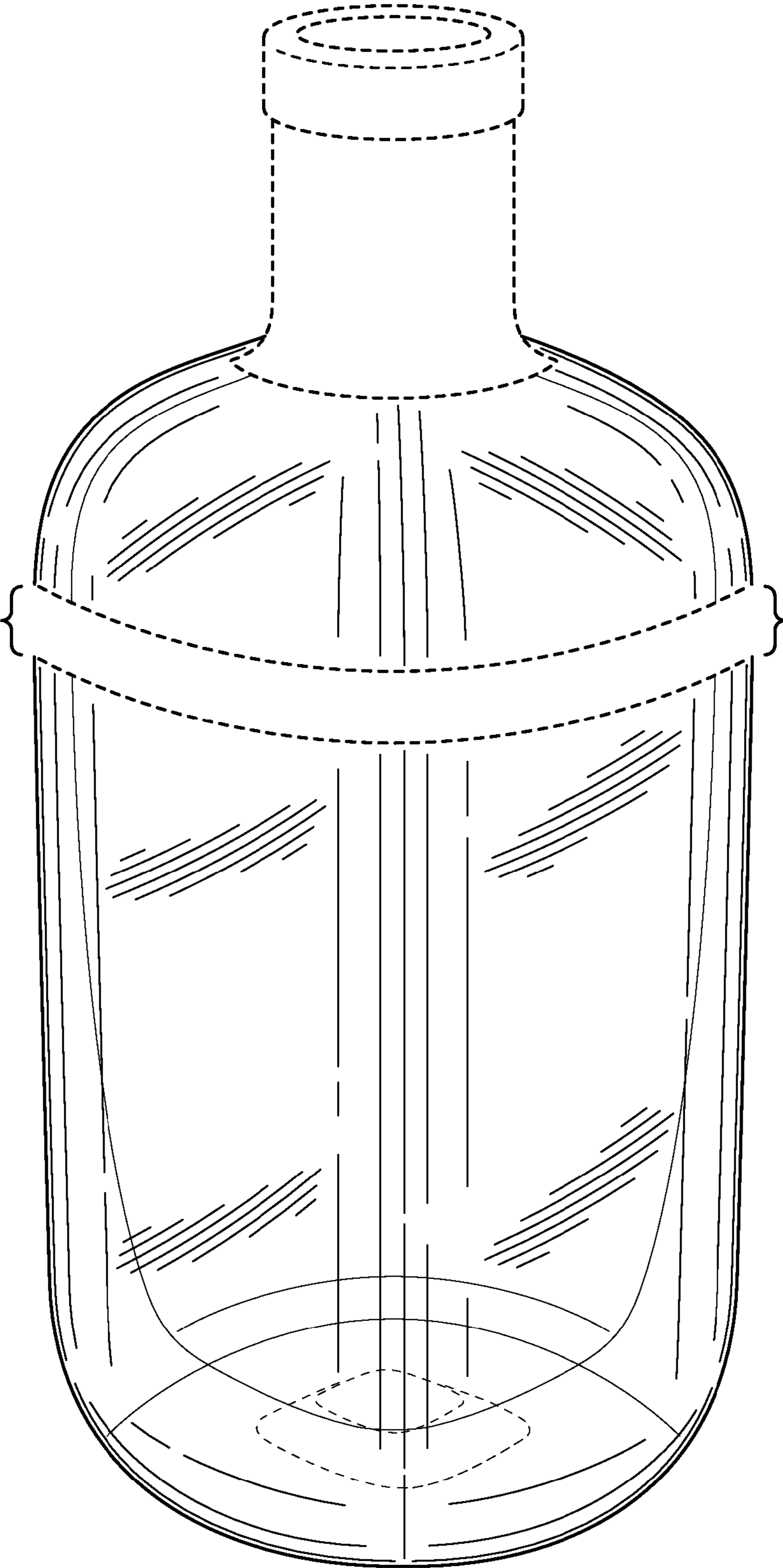


FIG. 1

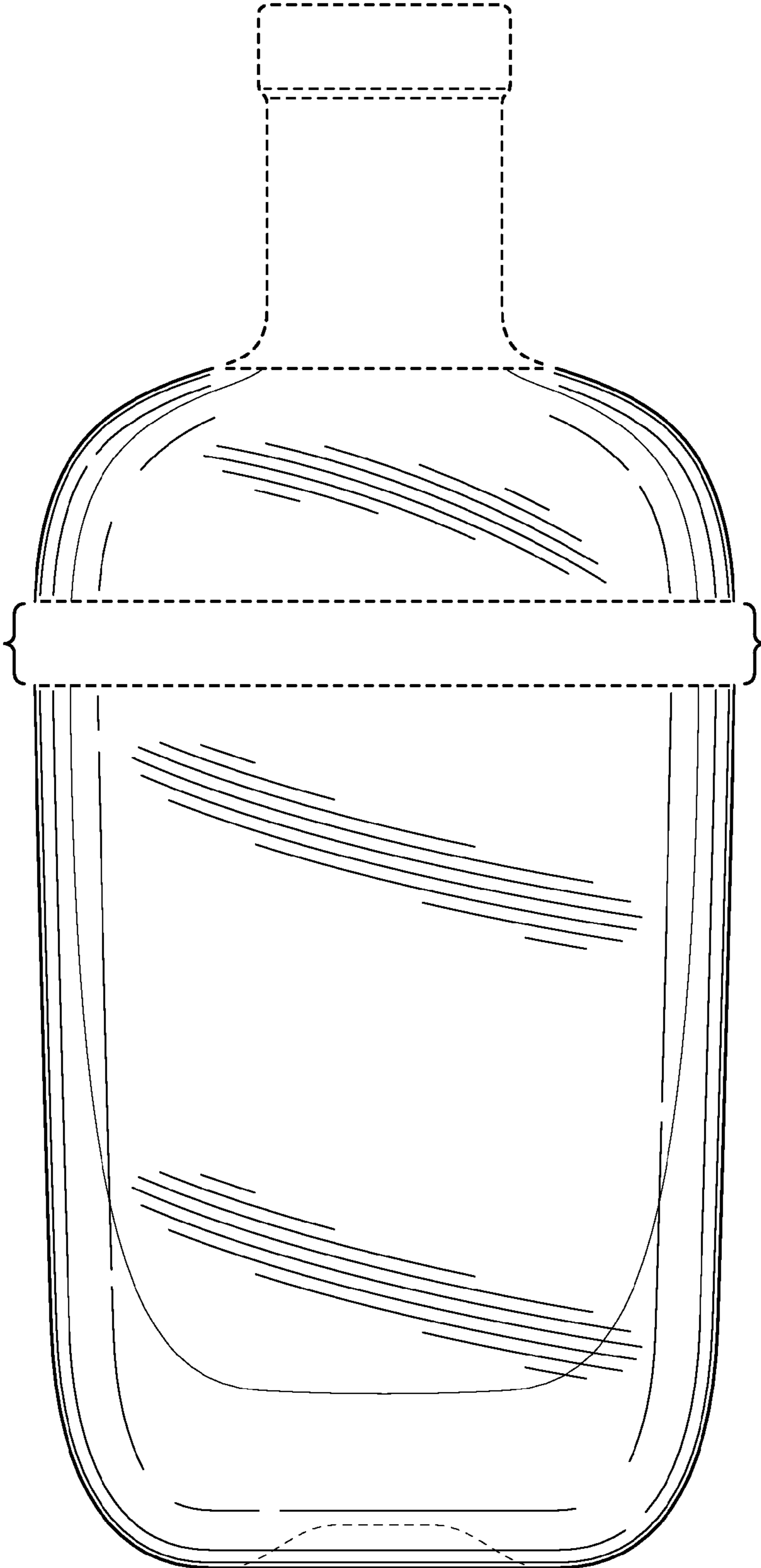


FIG. 2

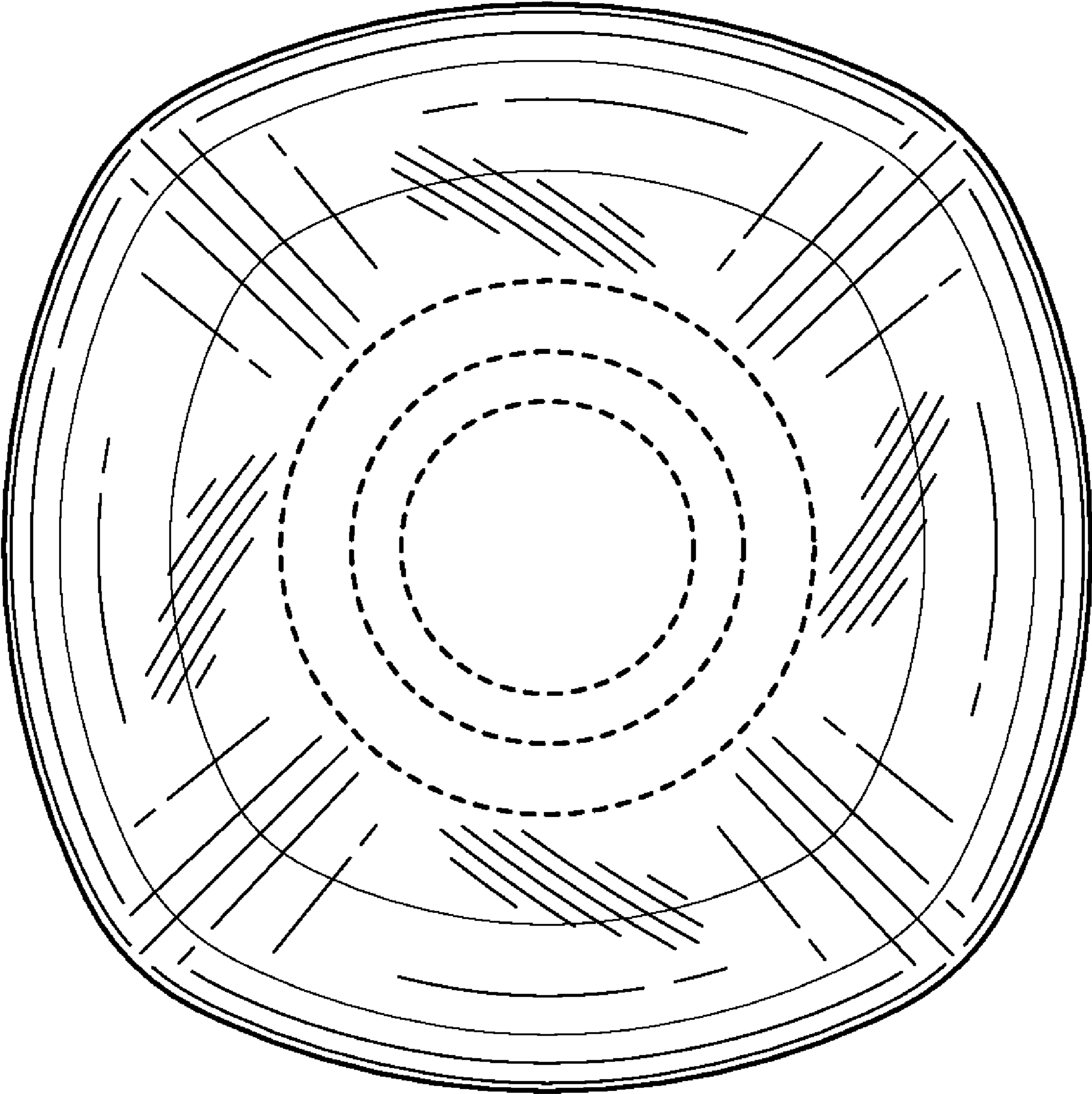


FIG. 3

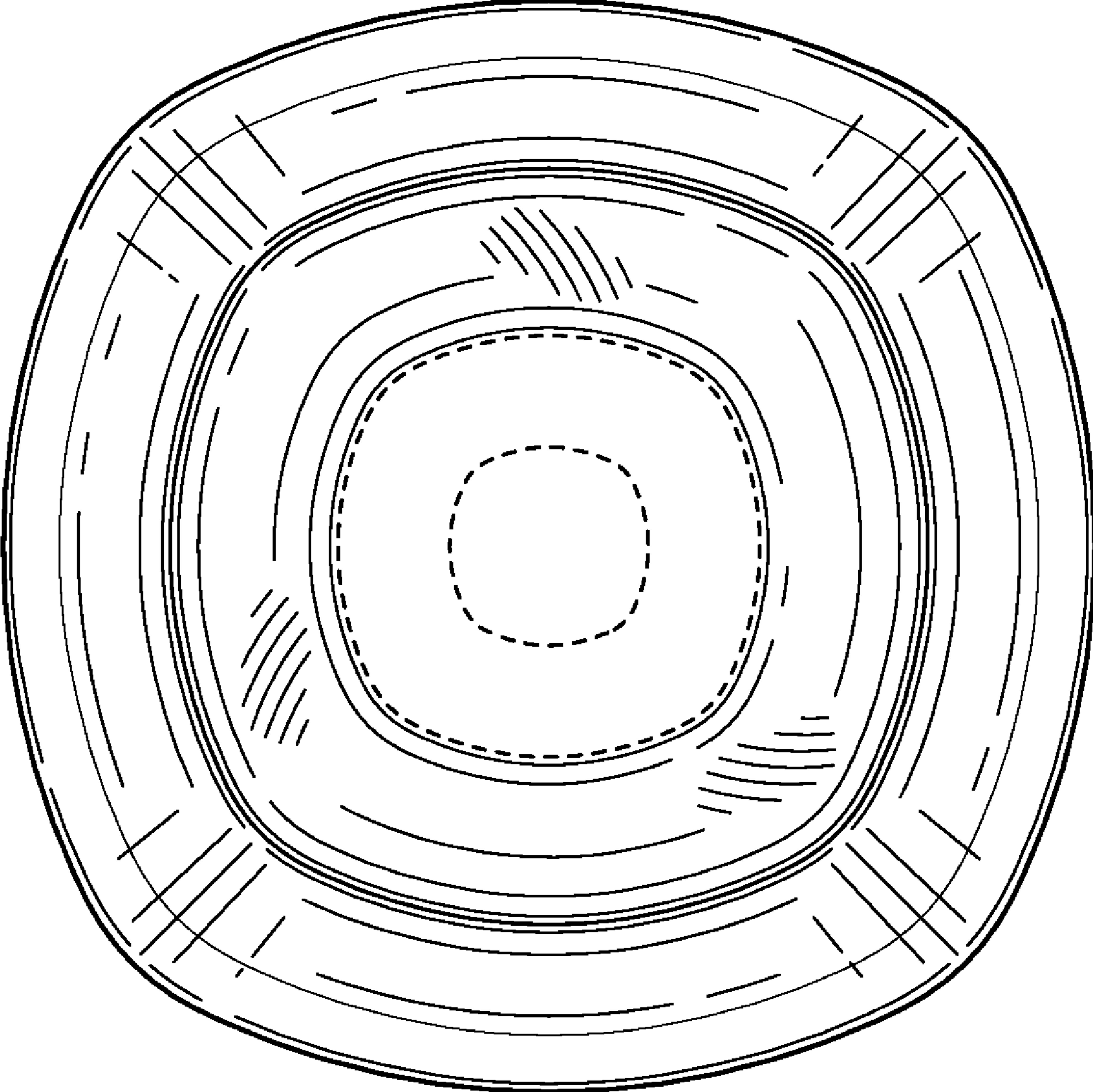


FIG. 4