



US00D606406S

(12) **United States Design Patent**
Takata et al.

(10) **Patent No.:** **US D606,406 S**

(45) **Date of Patent:** **** Dec. 22, 2009**

(54) **CONTAINER**

5,749,488 A 5/1998 Bagwell et al.
D398,531 S 9/1998 De Vries

(75) Inventors: **Carolyn Takata**, Laguna Niguel, CA (US); **Thomas Murphy**, Lake Mills, WI (US); **Todd L. Pesek**, Shawnee, KS (US)

(Continued)

(73) Assignee: **Silgan Containers LLC**, Woodland Hills, CA (US)

FOREIGN PATENT DOCUMENTS

WO DM/046294 10/1998

(**) Term: **14 Years**

(21) Appl. No.: **29/318,041**

(Continued)

(22) Filed: **May 12, 2008**

OTHER PUBLICATIONS

(51) **LOC (9) Cl.** **09-01**

U.S. Appl. No. 29/298,989, filed Dec. 17, 2007, Diss.

(52) **U.S. Cl.** **D9/500; D9/428**

(Continued)

(58) **Field of Classification Search** D9/500,
D9/502, 516, 549, 556-558, 414, 424-426,
D9/428-429, 772, 774, 777-779; D7/601-602,
D7/629-630; 215/379, 381-383; 220/574,
220/657, 660, 669-673, 675; D11/143, 152-154
See application file for complete search history.

Primary Examiner—Ian Simmons
Assistant Examiner—Dana L Sipos
(74) *Attorney, Agent, or Firm*—Foley & Lardner LLP

(57) **CLAIM**

(56) **References Cited**

We claim the ornamental design for a container, as shown and described.

U.S. PATENT DOCUMENTS

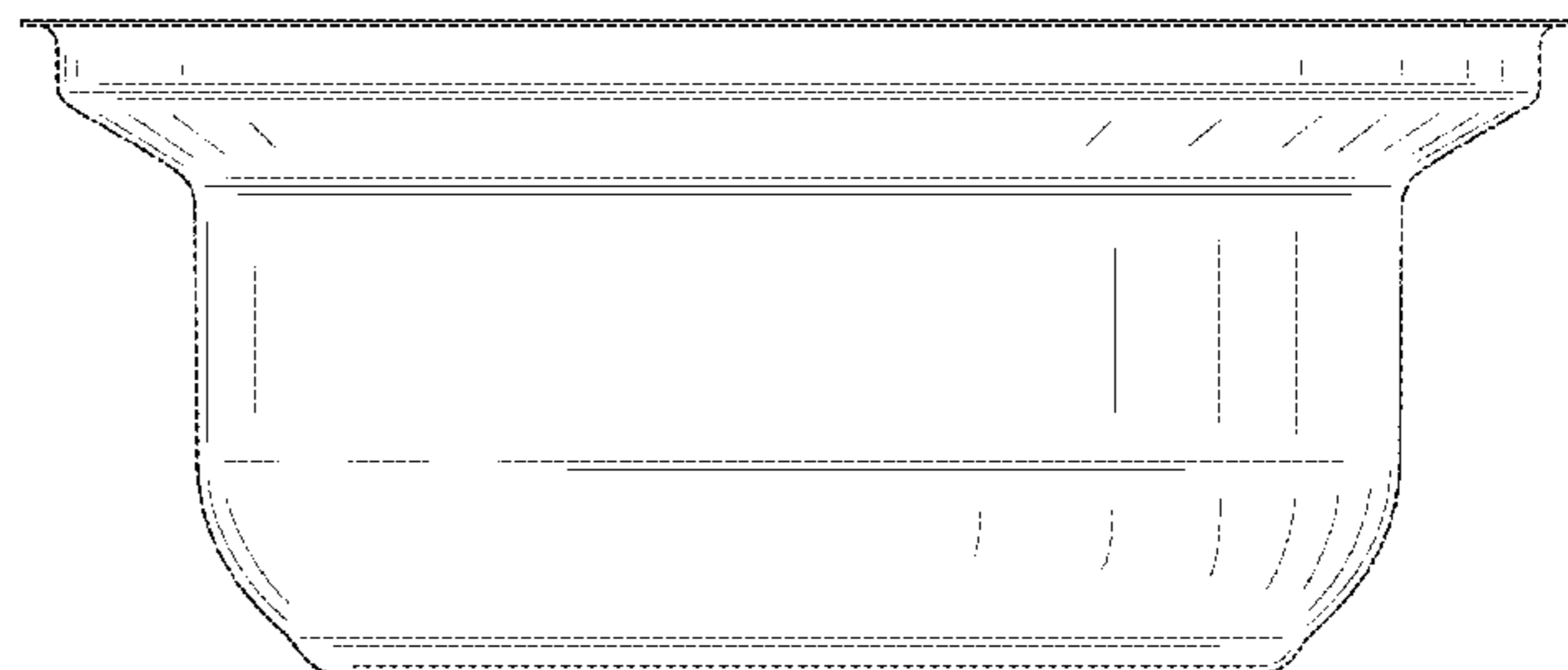
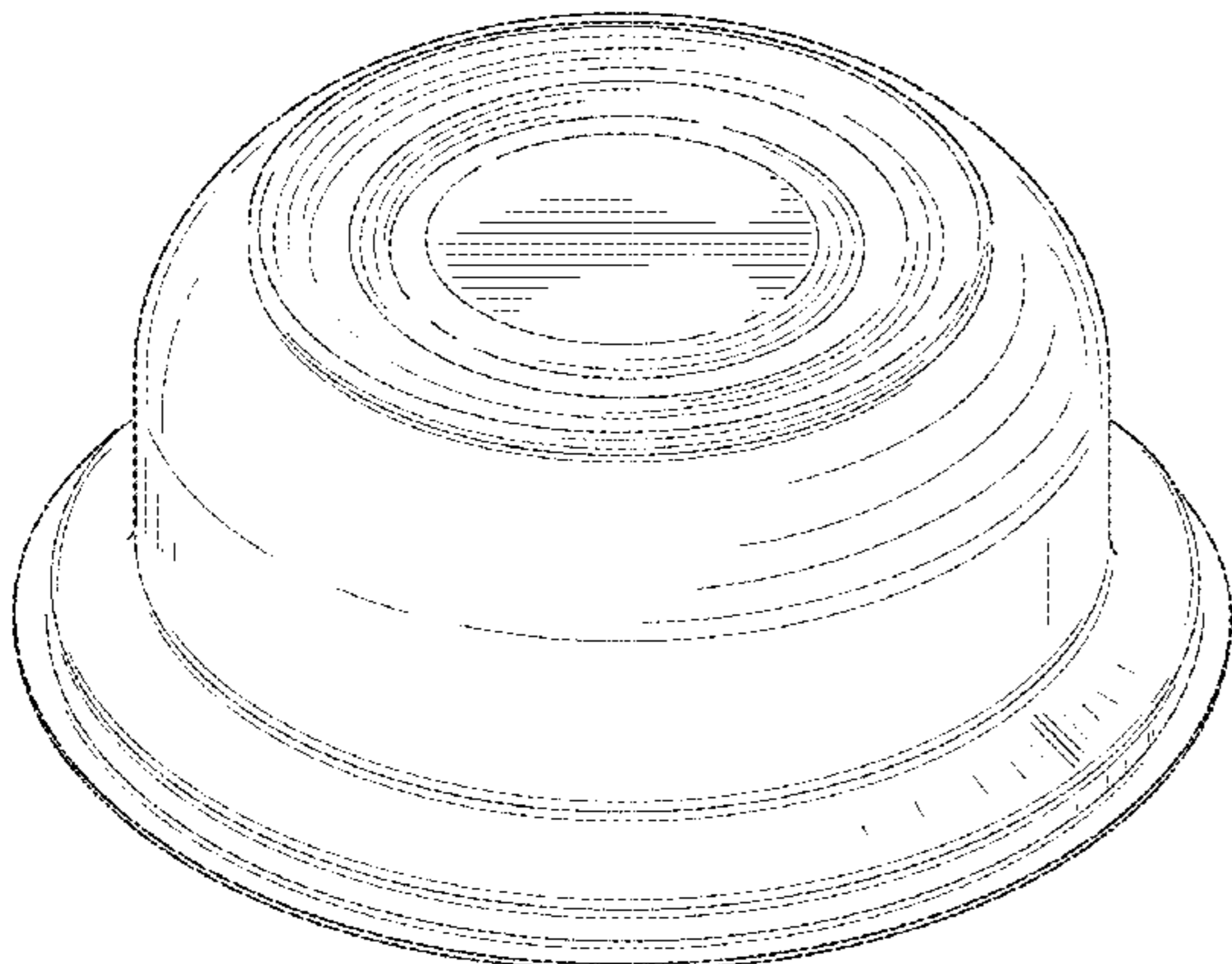
DESCRIPTION

| | | | | |
|---------------|---------|-------------------|-------|------------|
| 3,381,872 A * | 5/1968 | Holder et al. | | 220/203.09 |
| D212,525 S | 10/1968 | Kneapler | | |
| D224,516 S | 8/1972 | Amberg | | |
| D234,251 S | 2/1975 | Edwards | | |
| D235,184 S | 5/1975 | Achenbach | | |
| D288,515 S * | 3/1987 | Rimmeir | | D7/584 |
| 4,804,105 A | 2/1989 | Zysset et al. | | |
| 5,040,698 A | 8/1991 | Ramsey et al. | | |
| 5,052,573 A | 10/1991 | Zysset | | |
| D345,105 S | 3/1994 | Ramsey | | |
| D352,898 S | 11/1994 | Vacher | | |
| D355,129 S | 2/1995 | Gruodis | | |
| D355,368 S | 2/1995 | Gruodis | | |
| D367,426 S | 2/1996 | Ruff | | |
| D378,572 S | 3/1997 | Culverwell et al. | | |
| D381,259 S | 7/1997 | Hayes | | |
| 5,711,448 A | 1/1998 | Clarke, III | | |
| 5,720,412 A | 2/1998 | Ficken | | |
| 5,722,561 A | 3/1998 | Biondich et al. | | |

FIG. 1 is a top, perspective view of a container showing our new design;
FIG. 2 is a bottom perspective view thereof;
FIG. 3 is a front elevation view thereof, the left side, right side and rear elevation views being identical;
FIG. 4 is a top plan view thereof; and,
FIG. 5 is a bottom plan view thereof.

The ornamental design which is claimed is shown in solid lines in the drawings. The broken lines in the drawings are for illustrative purposes only and form no part of the claimed design.

1 Claim, 5 Drawing Sheets



US D606,406 S

| U.S. PATENT DOCUMENTS | | | | | | | |
|-----------------------|-----|-----------------------------------|-----------|-----|---------|---------------------|--|
| | | | 6,294,131 | B1 | 9/2001 | Jaffrey | |
| D399,129 | S | 10/1998 Ramsey | D448,666 | S | 10/2001 | Fields | |
| D399,425 | S | 10/1998 Ramsey | D448,671 | S | 10/2001 | Gans et al. | |
| D399,428 | S | 10/1998 Ramsey | D448,672 | S | 10/2001 | Cheng et al. | |
| D399,429 | S | 10/1998 Ramsey | D448,675 | S | 10/2001 | Thierjung | |
| D399,430 | S | 10/1998 Ramsey | D448,677 | S | 10/2001 | Krich | |
| D399,753 | S | 10/1998 Ramsey | D449,539 | S | 10/2001 | Lakatosh et al. | |
| D401,152 | S | 11/1998 DeVore et al. | D449,993 | S | 11/2001 | Schumann | |
| D403,962 | S | 1/1999 Ramsey | D450,244 | S | 11/2001 | Rashid | |
| D403,963 | S | 1/1999 Ramsey | 6,321,927 | B2 | 11/2001 | Cavella | |
| D406,065 | S | 2/1999 Cheng | D453,003 | S | 1/2002 | Rashid | |
| D406,236 | S | 3/1999 Brifcani et al. | 6,341,709 | B1 | 1/2002 | Wilson | |
| D409,496 | S | 5/1999 Ramsey | 6,347,717 | B1 | 2/2002 | Eberle | |
| D411,106 | S | 6/1999 Conrad | D454,073 | S | 3/2002 | Crawford | |
| D412,118 | S | 7/1999 Rodea | D455,656 | S | 4/2002 | Gans et al. | |
| D412,441 | S | 8/1999 Cheng et al. | 6,374,657 | B1 | 4/2002 | Kirk et al. | |
| D413,519 | S | 9/1999 Eberle et al. | D456,712 | S | 5/2002 | Krich | |
| 5,957,647 | A | 9/1999 Hinton | D457,435 | S | 5/2002 | Rashid | |
| D414,693 | S | 10/1999 Cheng et al. | 6,398,052 | B1 | 6/2002 | Cheng et al. | |
| D416,200 | S | 11/1999 Pavely et al. | 6,419,874 | B2 | 7/2002 | Rashid et al. | |
| 5,988,416 | A | 11/1999 Cheng et al. | D464,569 | S | 10/2002 | Moore et al. | |
| 5,988,417 | A | 11/1999 Cheng et al. | D465,158 | S | 11/2002 | Peek et al. | |
| D417,392 | S | 12/1999 Zhang | D465,418 | S | 11/2002 | Thierjung | |
| D419,058 | S | 1/2000 Roth et al. | D466,019 | S | 11/2002 | Thierjung et al. | |
| D419,444 | S | 1/2000 Zhang | D466,021 | S | 11/2002 | Thierjung et al. | |
| D419,886 | S | 2/2000 Gans | D466,024 | S | 11/2002 | Thierjung et al. | |
| D420,587 | S | 2/2000 Cheng et al. | D466,813 | S | 12/2002 | Thierjung et al. | |
| D421,393 | S | 3/2000 Pavely et al. | D466,817 | S | 12/2002 | Thierjung et al. | |
| D421,720 | S | 3/2000 Eberle et al. | D469,360 | S | 1/2003 | Moore et al. | |
| D421,907 | S | 3/2000 Bengel et al. | 6,575,684 | B2 | 6/2003 | Heinicke et al. | |
| D423,336 | S | 4/2000 Gray | D476,889 | S | 7/2003 | Fields | |
| D423,365 | S | 4/2000 Eberle et al. | D476,896 | S | 7/2003 | Cheng et al. | |
| D425,424 | S | 5/2000 Cheng et al. | 6,585,125 | B1 | 7/2003 | Peek | |
| 6,062,409 | A | 5/2000 Eberle | D478,286 | S | 8/2003 | Futral et al. | |
| D426,160 | S * | 6/2000 Lindsay et al. D9/500 | D478,287 | S | 8/2003 | Corker et al. | |
| D426,164 | S | 6/2000 Gans et al. | D478,474 | S * | 8/2003 | Zettle D7/545 | |
| D427,057 | S | 6/2000 Roth et al. | D479,999 | S | 9/2003 | Moore | |
| D427,514 | S | 7/2000 Roth et al. | D480,650 | S | 10/2003 | Moore et al. | |
| D427,515 | S | 7/2000 Roth et al. | D480,956 | S | 10/2003 | Mooney et al. | |
| D427,905 | S | 7/2000 Eberle | D480,957 | S | 10/2003 | Mooney et al. | |
| 6,092,688 | A | 7/2000 Eberle et al. | D481,317 | S | 10/2003 | Corker et al. | |
| D429,151 | S | 8/2000 Cheng et al. | D484,808 | S | 1/2004 | Thierjung et al. | |
| D429,164 | S | 8/2000 Peek et al. | D485,182 | S | 1/2004 | Gaydon | |
| 6,095,360 | A | 8/2000 Shmagin et al. | 6,685,417 | B2 | 2/2004 | Heinicke et al. | |
| 6,123,211 | A | 9/2000 Rashid et al. | D489,983 | S | 5/2004 | Futral et al. | |
| D431,465 | S | 10/2000 Cheng et al. | D489,984 | S | 5/2004 | Futral et al. | |
| D431,470 | S | 10/2000 Henderson | D491,288 | S | 6/2004 | Young | |
| D432,423 | S | 10/2000 Rashid | D493,370 | S | 7/2004 | Kamineni et al. | |
| D432,424 | S | 10/2000 Andrew | D494,475 | S | 8/2004 | Thierjung et al. | |
| 6,131,761 | A | 10/2000 Cheng et al. | 6,769,561 | B2 | 8/2004 | Futral et al. | |
| D435,455 | S | 12/2000 Gans | D498,143 | S | 11/2004 | Rashid | |
| 6,161,713 | A | 12/2000 Krich | 6,877,607 | B2 | 4/2005 | Jenkins | |
| 6,164,474 | A | 12/2000 Cheng et al. | 6,889,862 | B2 | 5/2005 | Vaughan | |
| 6,164,480 | A | 12/2000 Heinicke et al. | D507,485 | S | 7/2005 | Fields | |
| D437,229 | S | 2/2001 Andrew | D510,024 | S | 9/2005 | Jacober et al. | |
| D437,230 | S | 2/2001 Andrew | D511,458 | S | 11/2005 | Dunwoody et al. | |
| 6,206,222 | B1 | 3/2001 Cudzik | D512,917 | S | 12/2005 | Frisch et al. | |
| 6,213,325 | B1 | 4/2001 Cheng et al. | D517,417 | S | 3/2006 | Livingston et al. | |
| 6,220,475 | B1 | 4/2001 Nayar et al. | D522,371 | S | 6/2006 | Livingston | |
| D441,295 | S | 5/2001 Krich | D523,341 | S | 6/2006 | Livingston et al. | |
| 6,230,912 | B1 | 5/2001 Rashid | D523,347 | S | 6/2006 | Livingston | |
| D445,339 | S | 7/2001 Bazlur | D525,129 | S | 7/2006 | Hutter et al. | |
| D445,693 | S | 7/2001 Rashid | D525,139 | S | 7/2006 | Livingston et al. | |
| D445,694 | S | 7/2001 Gans | D525,530 | S | 7/2006 | Livingston et al. | |
| D446,455 | S | 8/2001 McGowan | 7,108,469 | B2 | 9/2006 | Jenkins | |
| D446,458 | S | 8/2001 Gans | 7,112,771 | B2 | 9/2006 | Richardson et al. | |
| D447,061 | S | 8/2001 Peek | D530,614 | S | 10/2006 | Gatewood | |
| 6,280,679 | B1 | 8/2001 Rashid et al. | D532,306 | S | 11/2006 | MacLeod et al. | |
| D447,422 | S | 9/2001 Peek | D532,689 | S * | 11/2006 | Rotta D9/611 | |
| D448,302 | S | 9/2001 Cheng et al. | 7,134,565 | B1 | 11/2006 | Wan et al. | |
| D448,303 | S | 9/2001 Cheng et al. | D533,783 | S | 12/2006 | Kliger et al. | |
| D448,304 | S | 9/2001 Cheng et al. | D534,079 | S | 12/2006 | Livingston | |
| | | | D534,428 | S | 1/2007 | Reed et al. | |

D538,645 S 3/2007 McDowell et al.
 D538,646 S 3/2007 McDowell et al.
 D538,660 S 3/2007 Gatewood
 7,198,168 B2 4/2007 Mizuma
 D542,130 S 5/2007 McDowell et al.
 D542,650 S 5/2007 McDowell et al.
 D545,674 S * 7/2007 Miselli et al. D9/416
 D546,183 S 7/2007 Clutter
 7,243,808 B2 7/2007 Livingston et al.
 D562,685 S 2/2008 Millspaw et al.
 2001/0002671 A1 6/2001 Heinicke et al.
 2001/0009107 A1 7/2001 Cheng et al.
 2001/0009244 A1 7/2001 Cheng et al.
 2002/0172578 A1 11/2002 Heinicke et al.
 2005/0082299 A1 4/2005 Jenkins
 2006/0131257 A1 6/2006 Gatewood et al.
 2006/0186082 A1 8/2006 Gatewood et al.
 2007/0012648 A1 1/2007 Gatewood
 2007/0068943 A1 3/2007 Ramsey et al.
 2007/0102425 A1 5/2007 Richardson et al.
 2007/0108196 A1 5/2007 Richardson et al.
 2007/0108197 A1 5/2007 Richardson et al.
 2007/0108198 A1 5/2007 Richardson et al.
 2007/0138181 A1 6/2007 Heinicke et al.

FOREIGN PATENT DOCUMENTS

WO DM/051799 3/2000

OTHER PUBLICATIONS

U.S. Appl. No. 29/305,877, filed Mar. 28, 2008, Diss et al.
 U.S. Appl. No. 29/305,883, filed Mar. 28, 2008, Diss et al.
 U.S. Appl. No. 29/305,882, filed Mar. 28, 2008, Diss et al.
 U.S. Appl. No. 29/305,878, filed Mar. 28, 2008, Diss et al.
 U.S. Appl. No. 29/302,067, filed Jan. 8, 2008, Millspaw et al.
 U.S. Appl. No. 29/304,271, filed Feb. 27, 2008, Metzger et al.
 U.S. Appl. No. 29/305,881, filed Mar. 28, 2008, Diss et al.
 U.S. Appl. No. 29/305,880, filed Mar. 28, 2008, Diss et al.
 U.S. Appl. No. 29/305,879, filed Mar. 28, 2008, Diss et al.
 U.S. Appl. No. 29/306,261, filed Apr. 4, 2008, VanScoyoc et al.
 U.S. Appl. No. 29/306,263, filed Apr. 4, 2008, Ziegler et al.
 U.S. Appl. No. 29/306,258, filed Apr. 4, 2008, Ziegler et al.
 U.S. Appl. No. 29/306,257, filed Apr. 4, 2008, Ziegler et al.
 U.S. Appl. No. 29/318,021, filed May 12, 2008, Takata et al.
 U.S. Appl. No. 29/318,022, filed May 12, 2008, Murphy et al.
 U.S. Appl. No. 29/318,023, filed May 12, 2008, Diss.
 U.S. Appl. No. 29/318,024, filed May 12, 2008, Diss.
 U.S. Appl. No. 29/318,025, filed May 12, 2008, Diss.
 U.S. Appl. No. 29/318,026, filed May 12, 2008, Takata et al.
 U.S. Appl. No. 29/318,027, filed May 12, 2008, Diss.
 U.S. Appl. No. 29/318,028, filed May 12, 2008, Murphy et al.
 U.S. Appl. No. 29/318,029, filed May 12, 2008, Takata et al.
 U.S. Appl. No. 29/318,030, filed May 12, 2008, Murphy et al.
 U.S. Appl. No. 29/318,031, filed May 12, 2008, Murphy et al.
 U.S. Appl. No. 29/312,033, filed May 12, 2008, Murphy et al.
 U.S. Appl. No. 29/318,036, filed May 12, 2008, Murphy et al.
 U.S. Appl. No. 29/318,041, filed May 12, 2008, Takata et al.

* cited by examiner

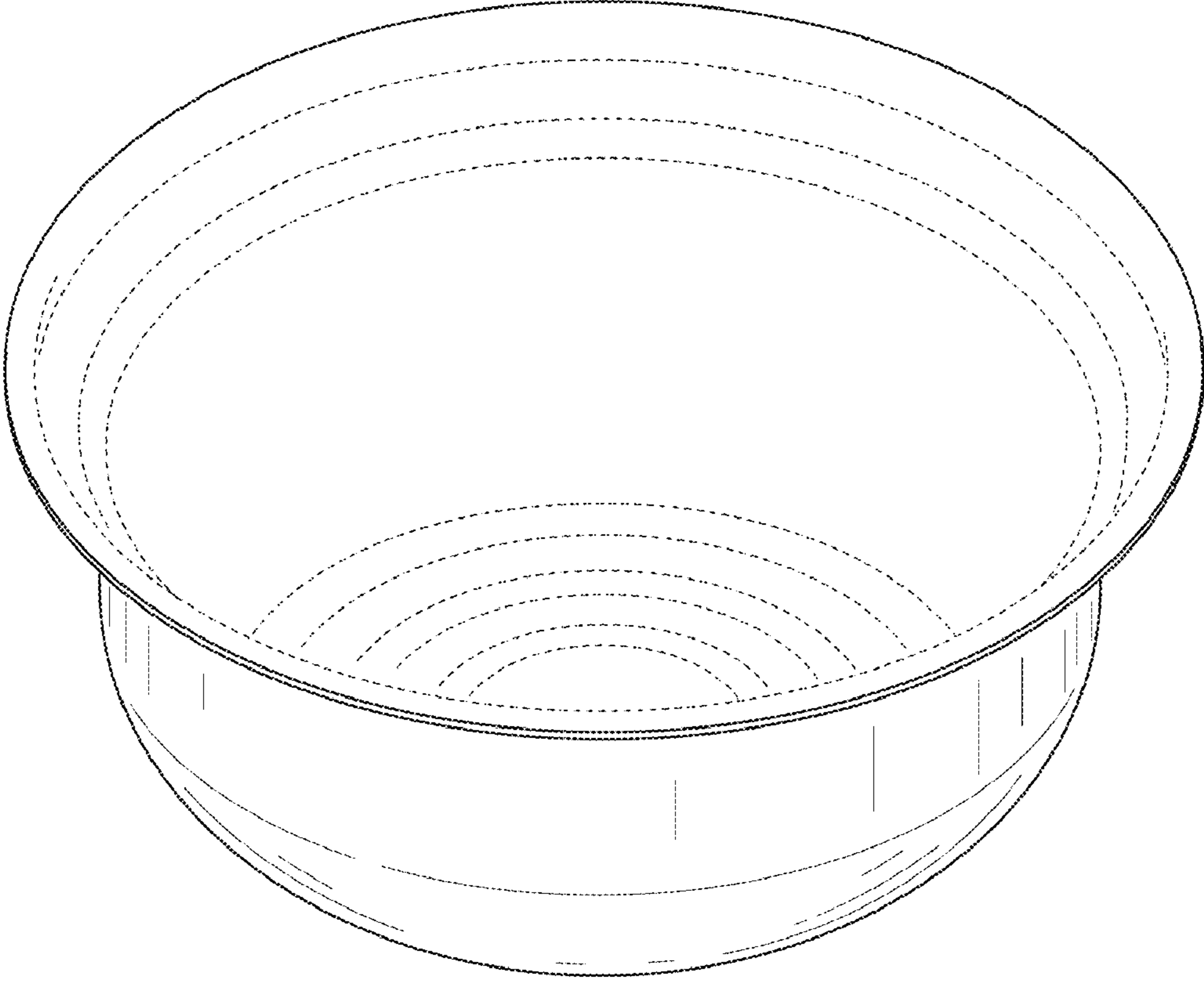


FIG. 1

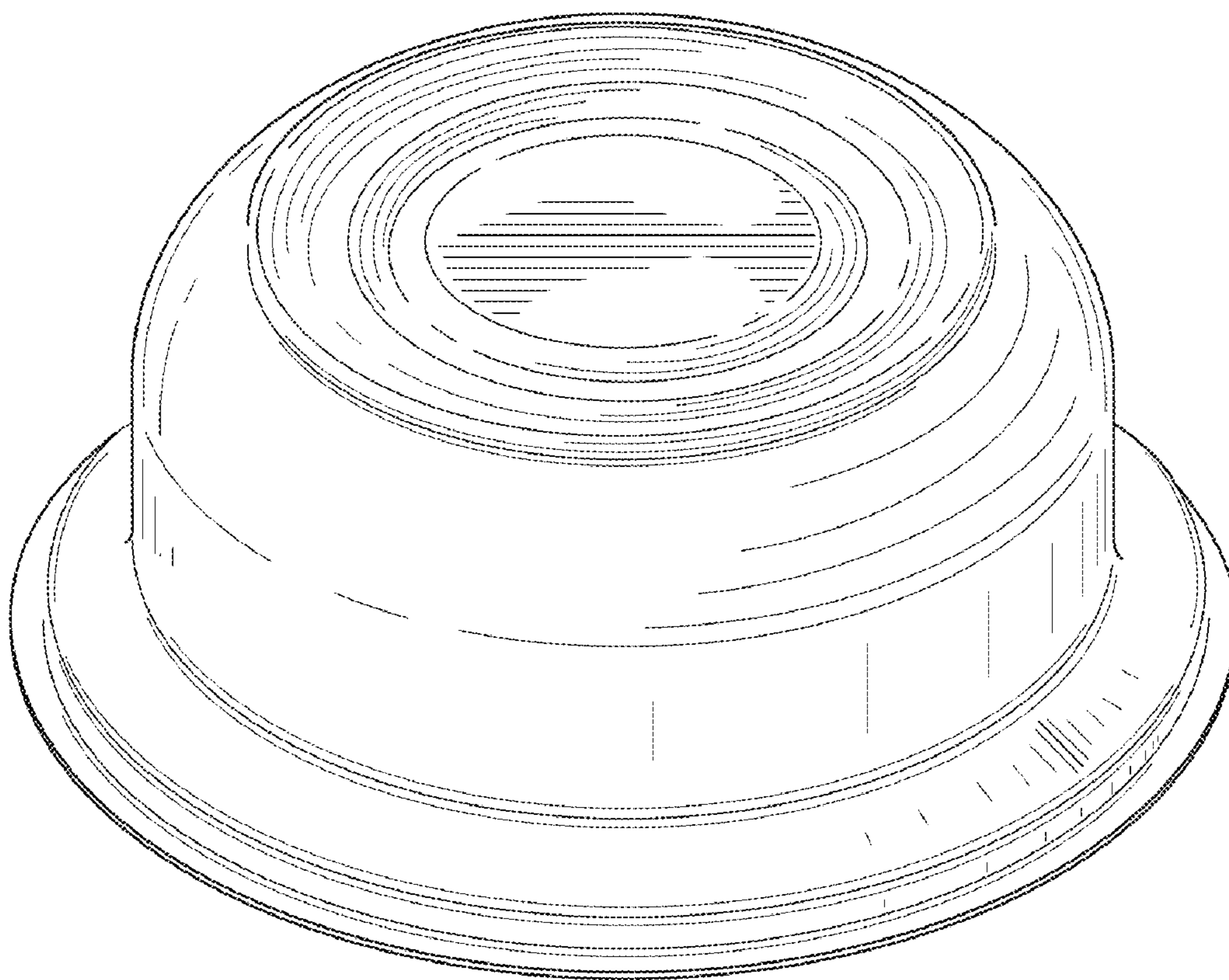


FIG. 2

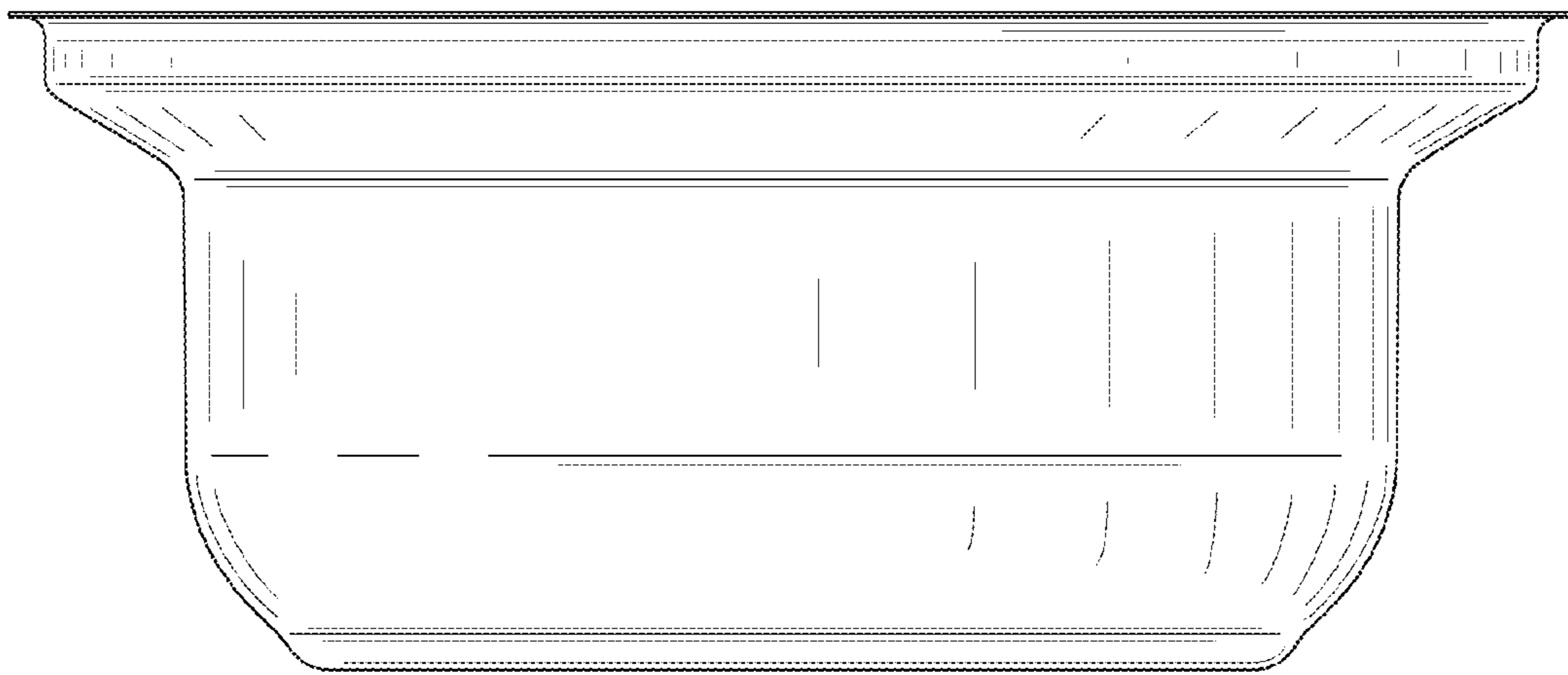


FIG. 3

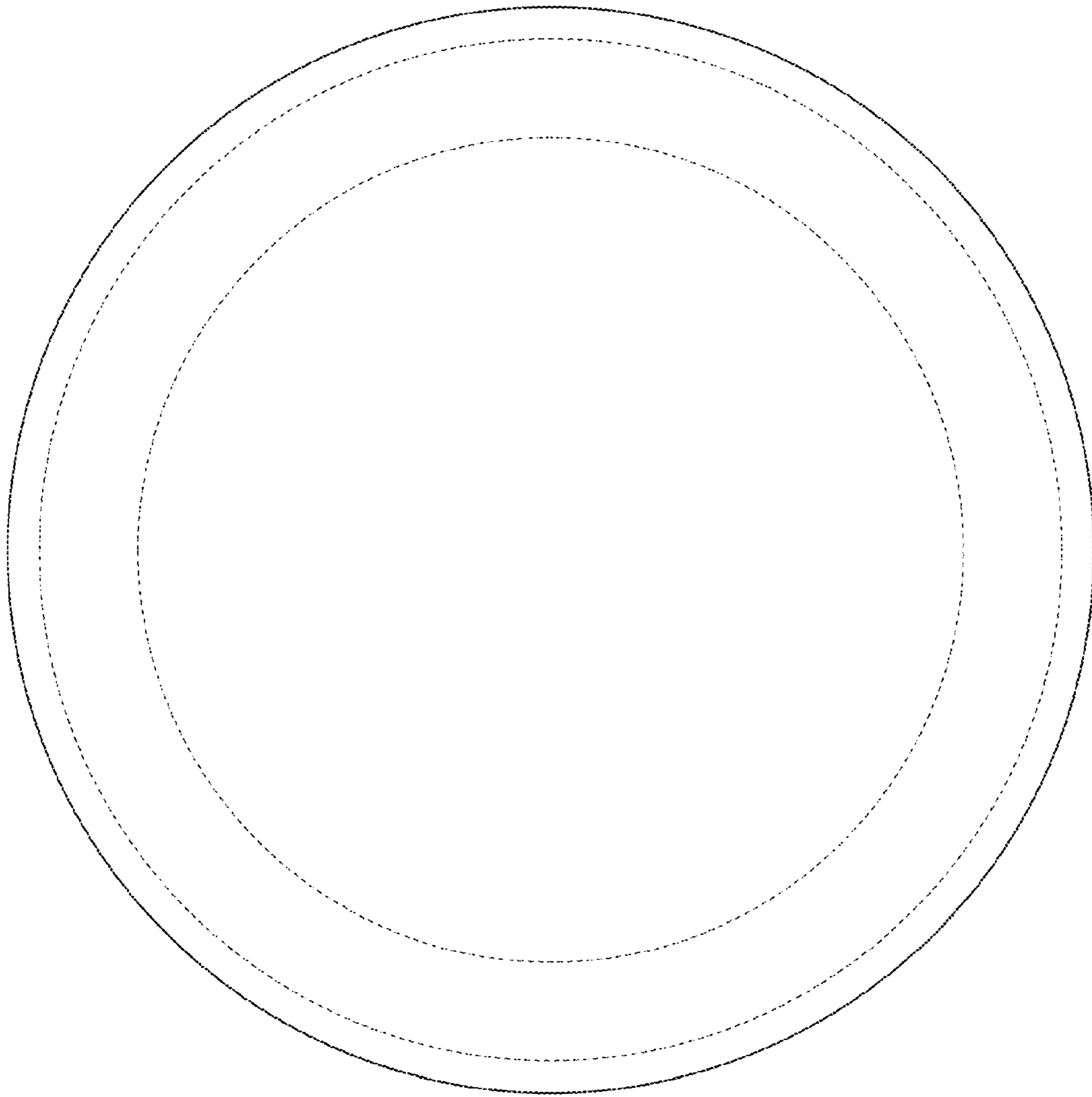


FIG. 4

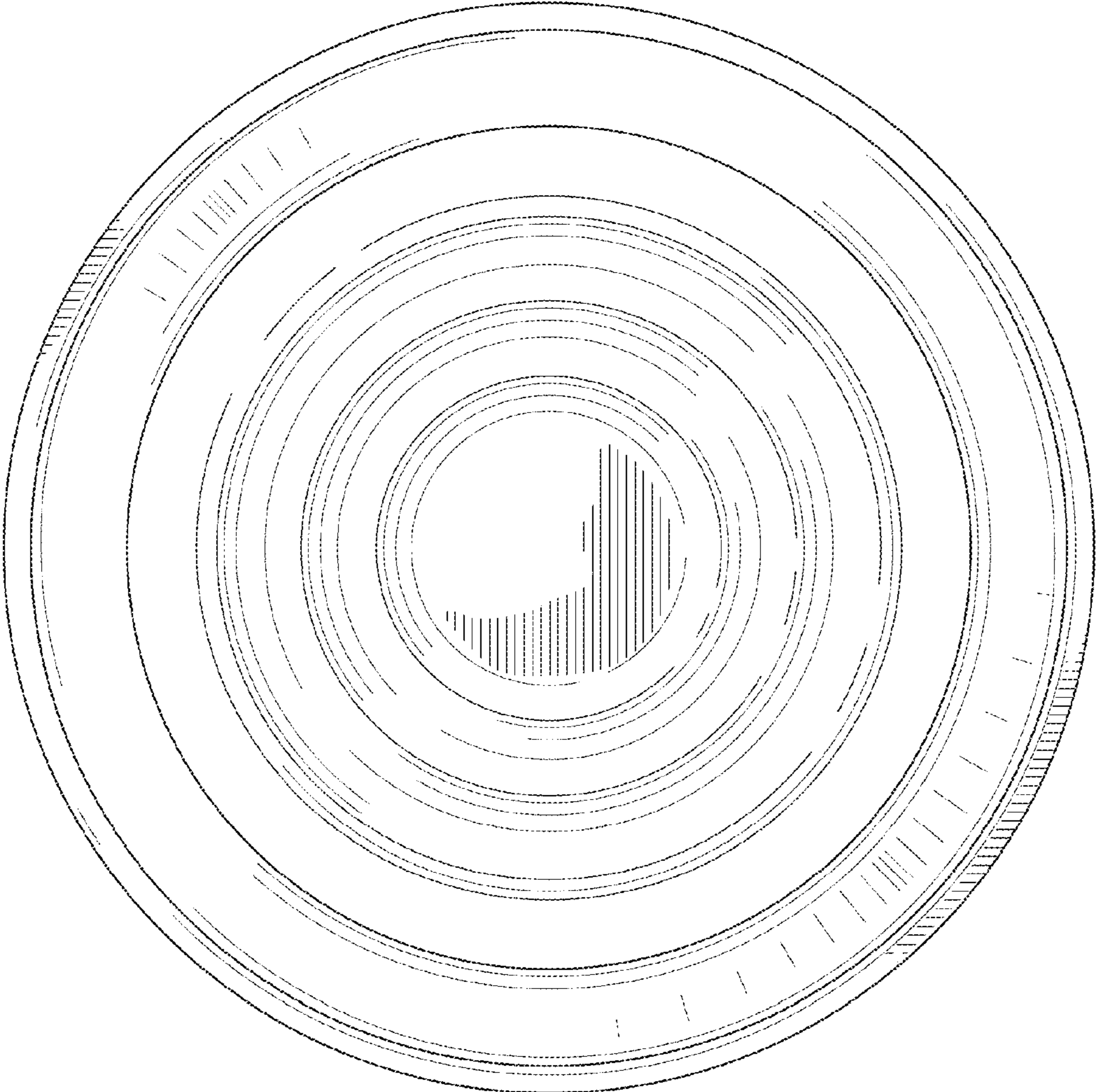


FIG. 5