

US00D606405S

(12) **United States Design Patent**
Takata et al.

(10) **Patent No.:** **US D606,405 S**
(45) **Date of Patent:** **** Dec. 22, 2009**

(54) **CONTAINER**

(75) Inventors: **Carolyn Takata**, Laguna Niguel, CA (US); **Thomas Murphy**, Lake Mills, WI (US); **Todd L. Pesek**, Shawnee, KS (US)

(73) Assignee: **Silgan Containers LLC**, Woodland Hills, CA (US)

(**) Term: **14 Years**

(21) Appl. No.: **29/318,026**

(22) Filed: **May 12, 2008**

(51) **LOC (9) Cl.** **09-01**

(52) **U.S. Cl.** **D9/500; D9/428**

(58) **Field of Classification Search** D9/500,
D9/502, 516, 549, 556-558, 414, 424-426,
D9/428-429; D7/601-602, 629-630; 215/379,
215/381-383; 220/574, 657, 660, 669-673,
220/675

See application file for complete search history.

(56) **References Cited**

U.S. PATENT DOCUMENTS

- 3,381,872 A * 5/1968 Holder et al. 220/203.09
- D212,525 S 10/1968 Kneapler
- D224,516 S 8/1972 Amberg
- D234,251 S 2/1975 Edwards
- D235,184 S 5/1975 Achenbach
- D288,515 S * 3/1987 Rimmeir D7/584
- 4,804,105 A 2/1989 Zysset et al.
- 5,040,698 A 8/1991 Ramsey et al.
- 5,052,573 A 10/1991 Zysset
- D345,105 S 3/1994 Ramsey
- D352,898 S 11/1994 Vacher
- D355,129 S 2/1995 Gruodis
- D355,368 S 2/1995 Gruodis
- D367,426 S 2/1996 Ruff
- D378,572 S 3/1997 Culverwell et al.
- D381,259 S 7/1997 Hayes
- 5,711,448 A 1/1998 Clarke, III
- 5,720,412 A 2/1998 Ficken
- 5,722,561 A 3/1998 Biondich et al.

- D394,188 S * 5/1998 Reynaert et al. D7/584
- 5,749,488 A 5/1998 Bagwell et al.
- D398,531 S 9/1998 DeVries

(Continued)

FOREIGN PATENT DOCUMENTS

WO DM/046294 10/1998

(Continued)

OTHER PUBLICATIONS

U.S. Appl. No. 29/298,989, filed Dec. 17, 2007, Diss.

(Continued)

Primary Examiner—Ian Simmons
Assistant Examiner—Dana L Sipos
(74) *Attorney, Agent, or Firm*—Foley & Lardner LLP

(57) **CLAIM**

We claim the ornamental design for a container, as shown and described.

DESCRIPTION

FIG. 1 is a top, perspective view of a container showing our new design;

FIG. 2 is a bottom perspective view thereof;

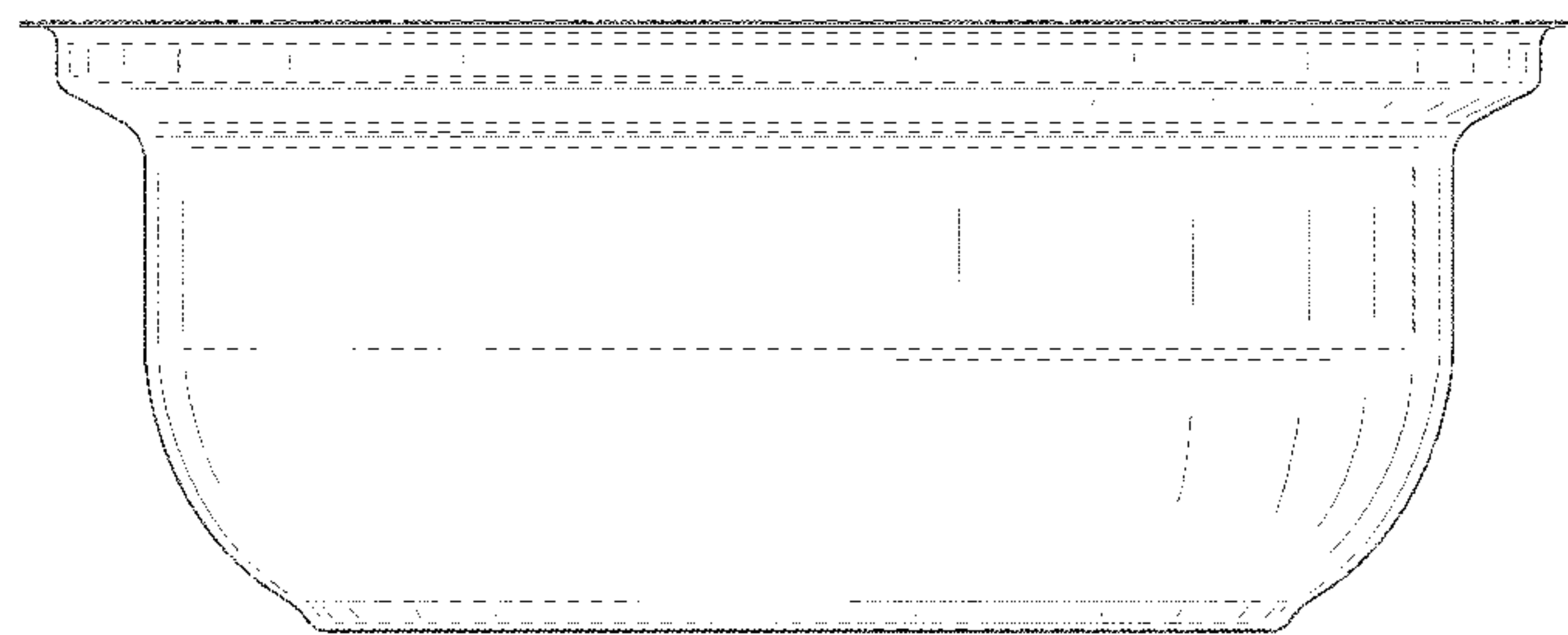
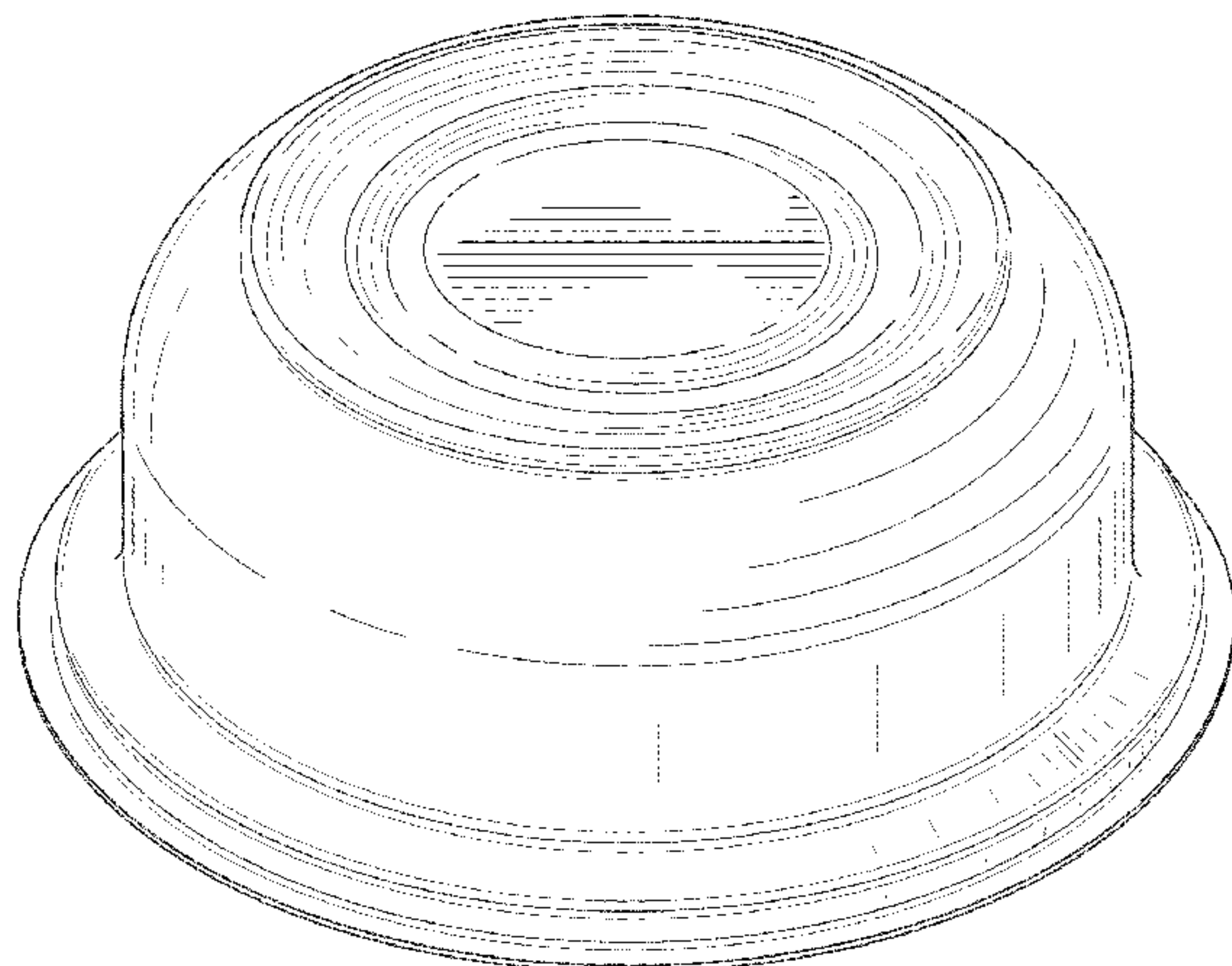
FIG. 3 is a front elevation view thereof, the left side, right side and rear elevation views being identical;

FIG. 4 is a top plan view thereof; and,

FIG. 5 is a bottom plan view thereof.

The ornamental design which is claimed is shown in solid lines in the drawings. The broken lines in the drawings are for illustrative purposes only and form no part of the claimed design.

1 Claim, 5 Drawing Sheets



US D606,405 S

U.S. PATENT DOCUMENTS					
D399,129 S	10/1998	Ramsey	D448,666 S	10/2001	Fields
D399,425 S	10/1998	Ramsey	D448,671 S	10/2001	Gans et al.
D399,428 S	10/1998	Ramsey	D448,672 S	10/2001	Cheng et al.
D399,429 S	10/1998	Ramsey	D448,675 S	10/2001	Thierjung
D399,430 S	10/1998	Ramsey	D448,677 S	10/2001	Krich
D399,753 S	10/1998	Ramsey	D449,539 S	10/2001	Lakatosh et al.
D401,152 S	11/1998	DeVore et al.	D449,993 S	11/2001	Schumann
D403,962 S	1/1999	Ramsey	D450,244 S	11/2001	Rashid
D403,963 S	1/1999	Ramsey	6,321,927 B2	11/2001	Cavella
D406,065 S	2/1999	Cheng	D453,003 S	1/2002	Rashid
D406,236 S	3/1999	Brifcani et al.	6,341,709 B1	1/2002	Wilson
D409,496 S	5/1999	Ramsey	6,347,717 B1	2/2002	Eberle
D411,106 S	6/1999	Conrad	D454,073 S	3/2002	Crawford
D412,118 S	7/1999	Rodea	D455,656 S	4/2002	Gans et al.
D412,441 S	8/1999	Cheng et al.	6,374,657 B1	4/2002	Kirk et al.
D413,519 S	9/1999	Eberle et al.	D456,712 S	5/2002	Krich
5,957,647 A	9/1999	Hinton	D457,435 S	5/2002	Rashid
D414,693 S	10/1999	Cheng et al.	6,398,052 B1	6/2002	Cheng et al.
D416,200 S	11/1999	Pavely et al.	6,419,874 B2	7/2002	Rashid et al.
5,988,416 A	11/1999	Cheng et al.	D464,569 S	10/2002	Moore et al.
5,988,417 A	11/1999	Cheng et al.	D465,158 S	11/2002	Peek et al.
D417,392 S	12/1999	Zhang	D465,418 S	11/2002	Thierjung
D419,058 S	1/2000	Roth et al.	D466,019 S	11/2002	Thierjung et al.
D419,444 S	1/2000	Zhang	D466,021 S	11/2002	Thierjung et al.
D419,886 S	2/2000	Gans	D466,024 S	11/2002	Thierjung et al.
D420,587 S	2/2000	Cheng et al.	D466,813 S	12/2002	Thierjung et al.
D421,393 S	3/2000	Pavely et al.	D466,817 S	12/2002	Thierjung et al.
D421,720 S	3/2000	Eberle et al.	D469,360 S	1/2003	Moore et al.
D421,907 S	3/2000	Benge et al.	6,575,684 B2	6/2003	Heinicke et al.
D423,336 S	4/2000	Gray	D476,889 S	7/2003	Fields
D423,365 S	4/2000	Eberle et al.	D476,896 S	7/2003	Cheng et al.
D425,424 S	5/2000	Cheng et al.	6,585,125 B1	7/2003	Peek
6,062,409 A	5/2000	Eberle	D478,286 S	8/2003	Futral et al.
D426,164 S	6/2000	Gans et al.	D478,287 S	8/2003	Corker et al.
D427,057 S	6/2000	Roth et al.	D478,474 S *	8/2003	Zettle D7/545
D427,514 S	7/2000	Roth et al.	D479,999 S	9/2003	Moore
D427,515 S	7/2000	Roth et al.	D480,650 S	10/2003	Moore et al.
D427,905 S	7/2000	Eberle	D480,956 S	10/2003	Mooney et al.
6,092,688 A	7/2000	Eberle et al.	D480,957 S	10/2003	Mooney et al.
D429,151 S	8/2000	Cheng et al.	D481,317 S	10/2003	Corker et al.
D429,164 S	8/2000	Peek et al.	D484,808 S	1/2004	Thierjung et al.
6,095,360 A	8/2000	Shmagin et al.	D485,182 S	1/2004	Gaydon
6,123,211 A	9/2000	Rashid et al.	6,685,417 B2	2/2004	Heinicke et al.
D431,465 S	10/2000	Cheng et al.	D489,983 S	5/2004	Futral et al.
D431,470 S	10/2000	Henderson	D489,984 S	5/2004	Futral et al.
D432,423 S	10/2000	Rashid	D491,288 S	6/2004	Young
D432,424 S	10/2000	Andrew	D493,370 S	7/2004	Kamineni et al.
6,131,761 A	10/2000	Cheng et al.	D494,475 S	8/2004	Thierjung et al.
D435,455 S	12/2000	Gans	6,769,561 B2	8/2004	Futral et al.
6,161,713 A	12/2000	Krich	D498,143 S	11/2004	Rashid
6,164,474 A	12/2000	Cheng et al.	6,877,607 B2	4/2005	Jenkins
6,164,480 A	12/2000	Heinicke et al.	6,889,862 B2	5/2005	Vaughan
D437,229 S	2/2001	Andrew	D507,485 S	7/2005	Fields
D437,230 S	2/2001	Andrew	D509,106 S *	9/2005	de Groote et al. D7/587
6,206,222 B1	3/2001	Cudzik	D510,024 S	9/2005	Jacober et al.
6,213,325 B1	4/2001	Cheng et al.	D511,458 S	11/2005	Dunwoody et al.
6,220,475 B1	4/2001	Nayar et al.	D512,917 S	12/2005	Frisch et al.
D441,295 S	5/2001	Krich	D517,417 S	3/2006	Livingston et al.
6,230,912 B1	5/2001	Rashid	D522,371 S	6/2006	Livingston
D445,339 S	7/2001	Bazlur	D523,341 S	6/2006	Livingston et al.
D445,693 S	7/2001	Rashid	D523,347 S	6/2006	Livingston
D445,694 S	7/2001	Gans	D525,129 S	7/2006	Hutter et al.
D446,455 S	8/2001	McGowan	D525,139 S	7/2006	Livingston et al.
D446,458 S	8/2001	Gans	D525,530 S	7/2006	Livingston et al.
D447,061 S	8/2001	Peek	7,108,469 B2	9/2006	Jenkins
6,280,679 B1	8/2001	Rashid et al.	7,112,771 B2	9/2006	Richardson et al.
D447,422 S	9/2001	Peek	D530,614 S	10/2006	Gatewood
D448,302 S	9/2001	Cheng et al.	D532,306 S	11/2006	MacLeod et al.
D448,303 S	9/2001	Cheng et al.	D532,689 S *	11/2006	Rotta D9/611
D448,304 S	9/2001	Cheng et al.	7,134,565 B1	11/2006	Wan et al.
6,294,131 B1	9/2001	Jaffrey	D533,783 S	12/2006	Klinger et al.
			D534,079 S	12/2006	Livingston
			D534,428 S	1/2007	Reed et al.

US D606,405 S

Page 3

D538,645 S 3/2007 McDowell et al.
D538,646 S 3/2007 McDowell et al.
D538,660 S 3/2007 Gatewood
7,198,168 B2 4/2007 Mizuma
D542,130 S 5/2007 McDowell et al.
D542,650 S 5/2007 McDowell et al.
D545,674 S * 7/2007 Miselli et al. D9/416
D546,183 S 7/2007 Clutter
7,243,808 B2 7/2007 Livingston et al.
D562,685 S 2/2008 Millspaw et al.
D591,590 S * 5/2009 Wilson et al. D9/428
2001/0002671 A1 6/2001 Heinicke et al.
2001/0009107 A1 7/2001 Cheng et al.
2001/0009244 A1 7/2001 Cheng et al.
2002/0172578 A1 11/2002 Heinicke et al.
2005/0082299 A1 4/2005 Jenkins
2006/0131257 A1 6/2006 Gatewood et al.
2006/0186082 A1 8/2006 Gatewood et al.
2007/0012648 A1 1/2007 Gatewood
2007/0068943 A1 3/2007 Ramsey et al.
2007/0102425 A1 5/2007 Richardson et al.
2007/0108196 A1 5/2007 Richardson et al.
2007/0108197 A1 5/2007 Richardson et al.
2007/0108198 A1 5/2007 Richardson et al.
2007/0138181 A1 6/2007 Heinicke et al.

FOREIGN PATENT DOCUMENTS

WO DM/051799 3/2000

OTHER PUBLICATIONS

U.S. Appl. No. 29/305,877, filed Mar. 28, 2008, Diss et al.
U.S. Appl. No. 29/305,883, filed Mar. 28, 2008, Diss et al.
U.S. Appl. No. 29/305,882, filed Mar. 28, 2008, Diss et al.
U.S. Appl. No. 29/305,878, filed Mar. 28, 2008, Diss et al.
U.S. Appl. No. 29/302,067, filed Jan. 9, 2008, Millspaw et al.
U.S. Appl. No. 29/304,271, filed Feb. 27, 2008, Metzger et al.
U.S. Appl. No. 29/305,881, filed Mar. 28, 2008, Diss et al.
U.S. Appl. No. 29/305,880, filed Mar. 28, 2008, Diss et al.
U.S. Appl. No. 29/305,879, filed Mar. 28, 2008, Diss et al.
U.S. Appl. No. 29/306,261, filed Apr. 4, 2008, VanScoyoc et al.
U.S. Appl. No. 29/306,263, filed Apr. 4, 2008, Ziegler et al.
U.S. Appl. No. 29/306,258, filed Apr. 4, 2008, Ziegler.
U.S. Appl. No. 29/306,257, filed Apr. 4, 2008, Ziegler et al.
U.S. Appl. No. 29/318,021, filed May 12, 2008, Takata et al.
U.S. Appl. No. 29/318,022, filed May 12, 2008, Murphy et al.
U.S. Appl. No. 29/318,023, filed May 12, 2008, Diss.
U.S. Appl. No. 29/318,024, filed May 12, 2008, Diss.
U.S. Appl. No. 29/318,025, filed May 12, 2008, Diss.
U.S. Appl. No. 29/318,026, filed May 12, 2008, Takata et al.
U.S. Appl. No. 29/318,027, filed May 12, 2008, Diss.
U.S. Appl. No. 29/318,028, filed May 12, 2008, Murphy et al.
U.S. Appl. No. 29/318,029, filed May 12, 2008, Takata et al.
U.S. Appl. No. 29/318,030, filed May 12, 2008, Murphy et al.
U.S. Appl. No. 29/318,031, filed May 12, 2008, Murphy et al.
U.S. Appl. No. 29/312,033, filed May 12, 2008, Murphy et al.
U.S. Appl. No. 29/318,036, filed May 12, 2008, Murphy et al.
U.S. Appl. No. 29/318,041, filed May 12, 2008, Takata et al.

* cited by examiner

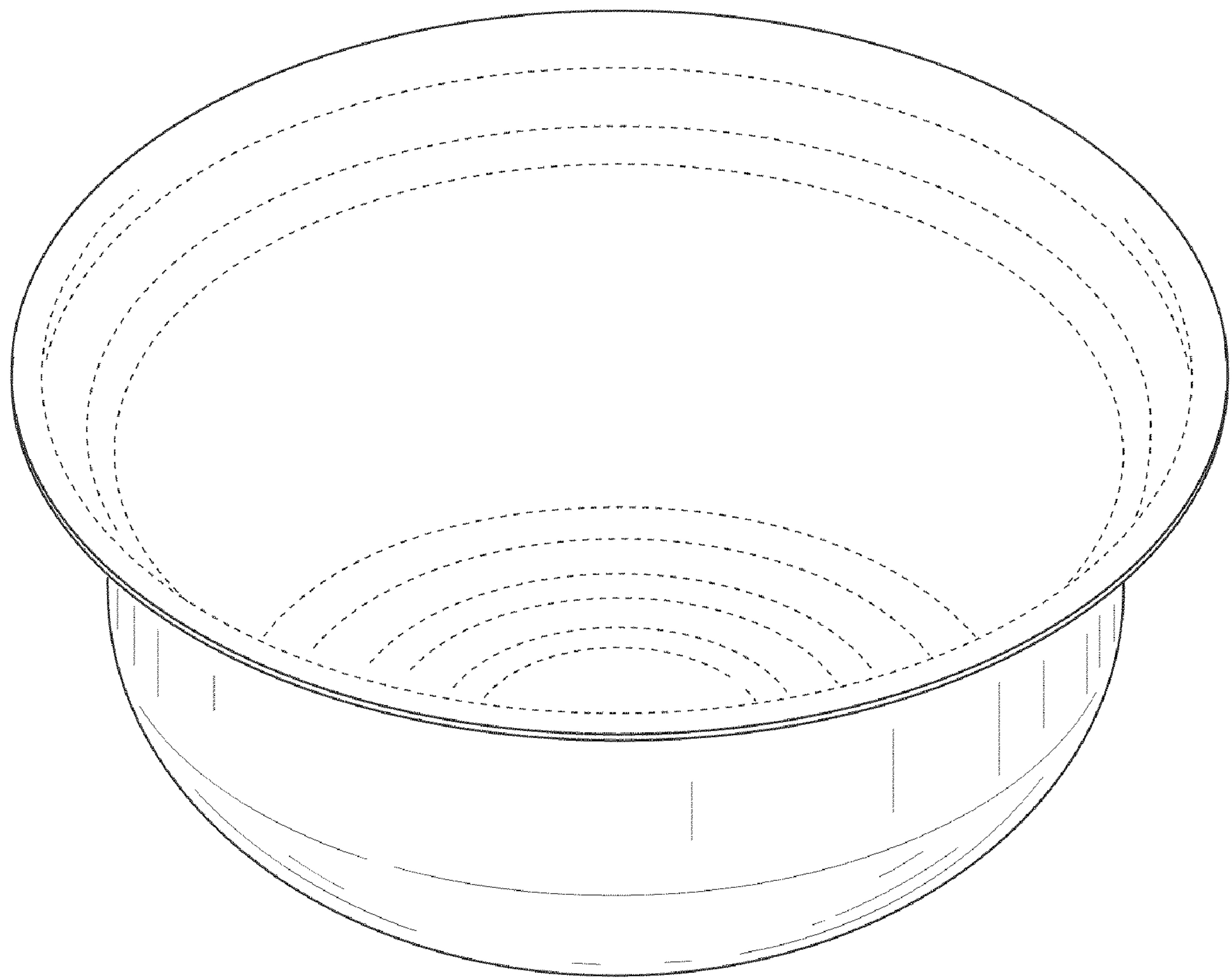


FIG. 1

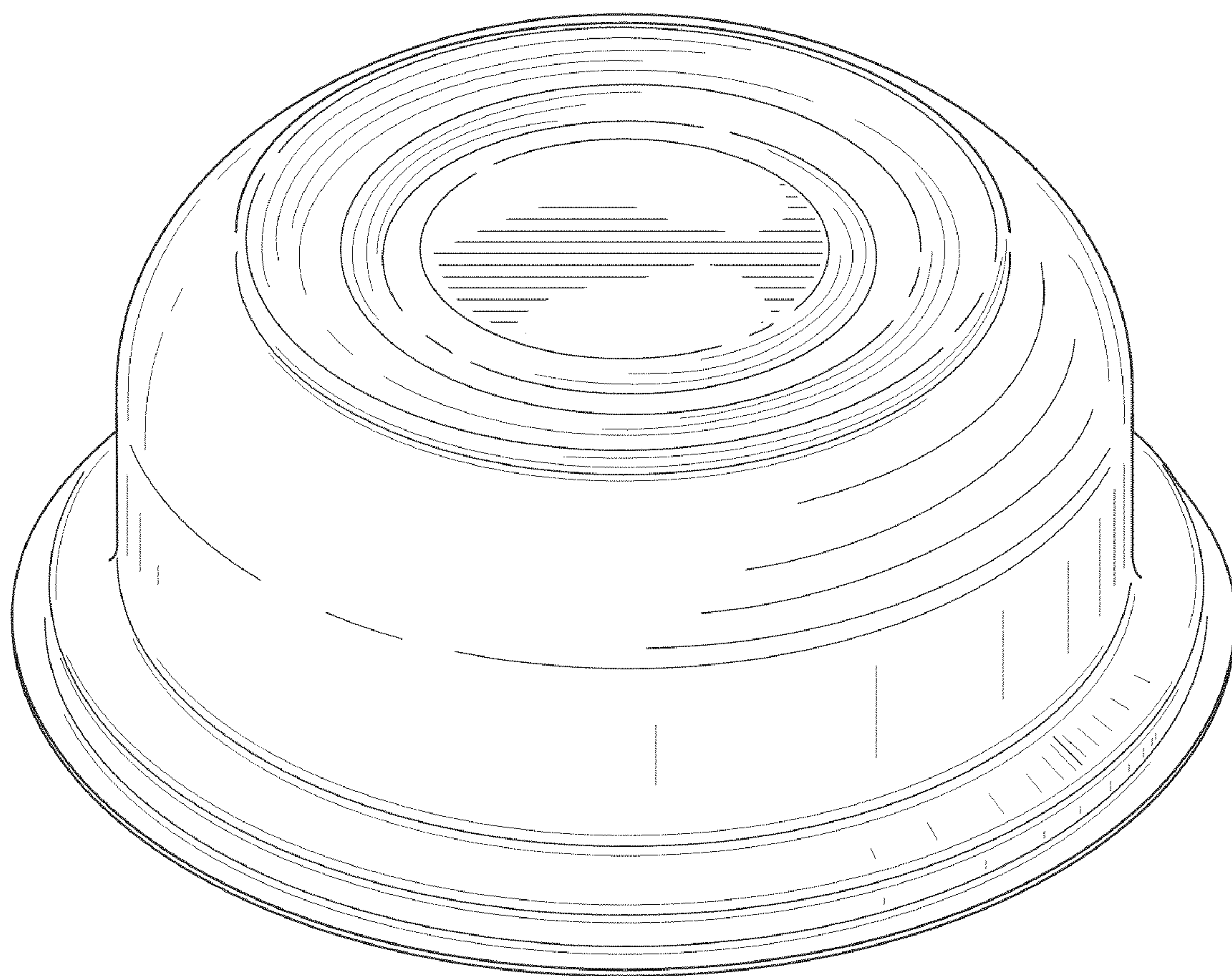


FIG. 2

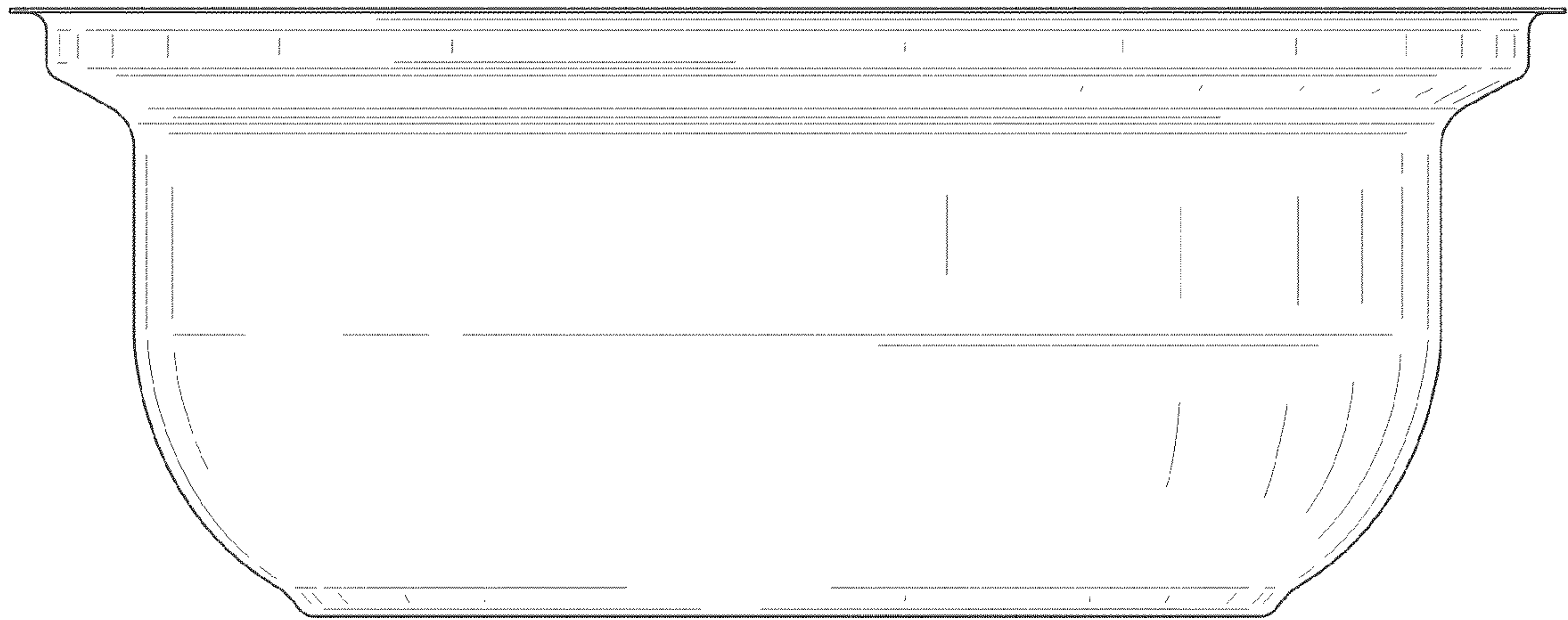


FIG. 3

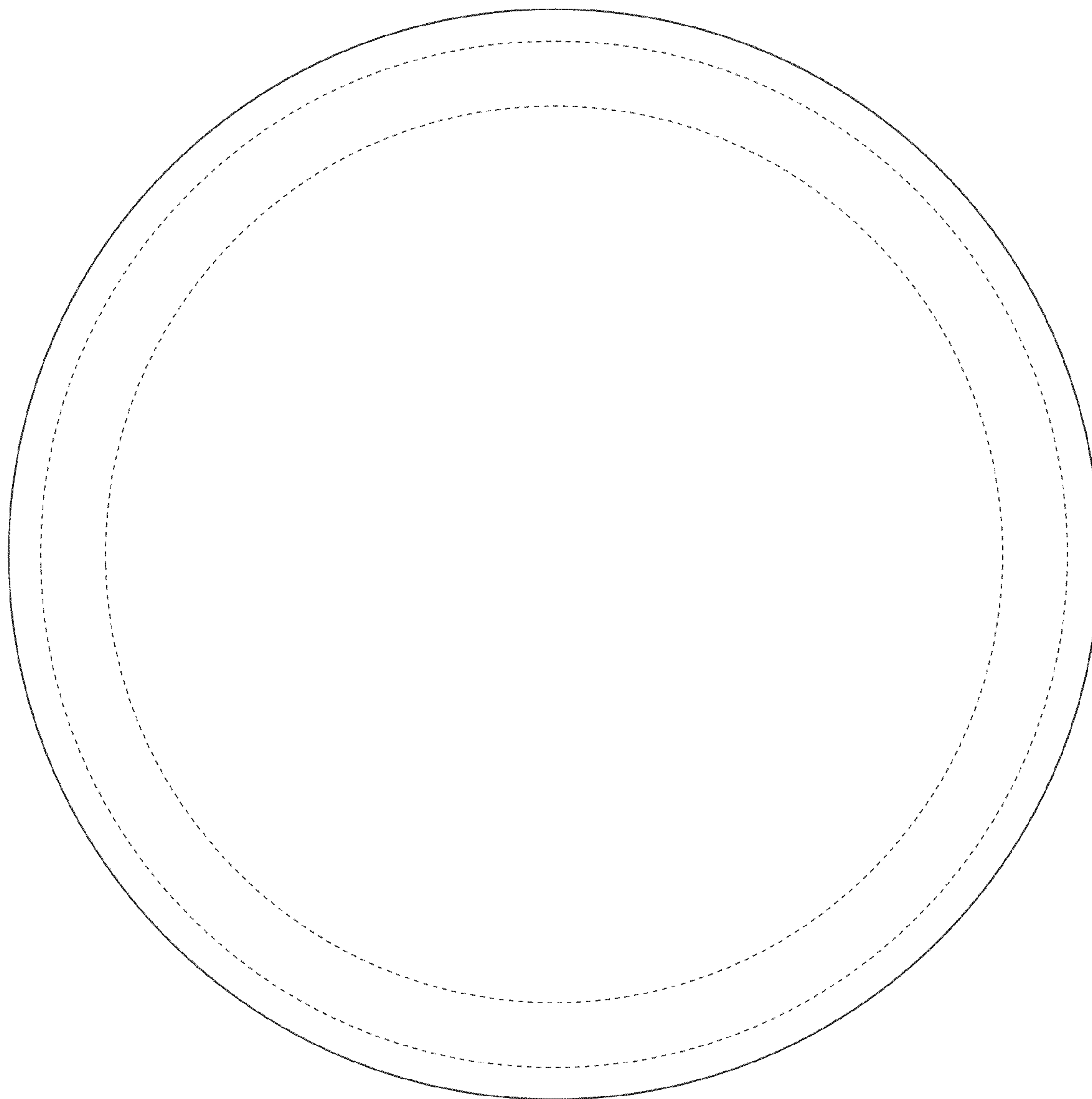


FIG. 4

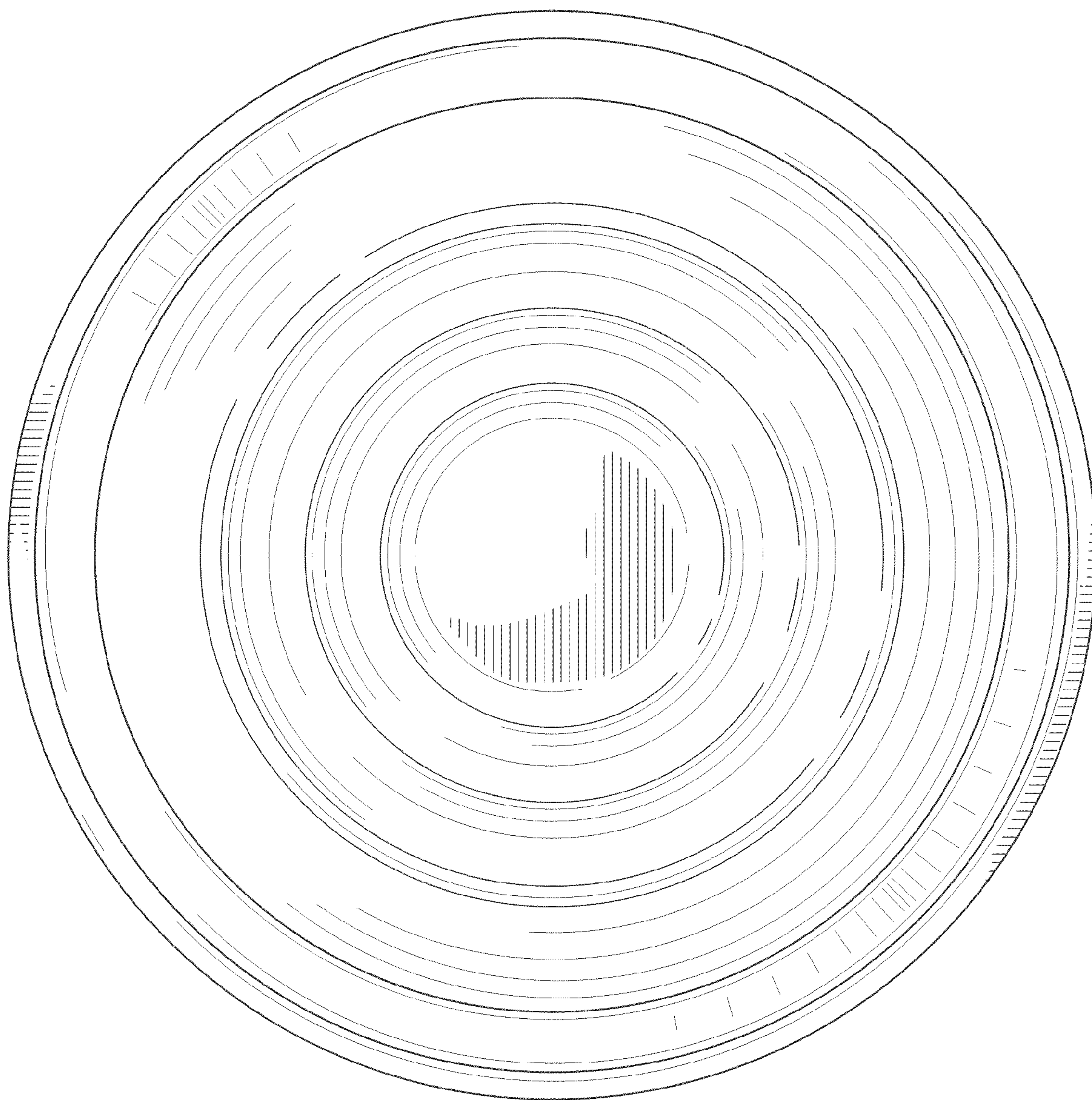


FIG. 5