

US00D606401S

(12) **United States Design Patent**
Kamath et al.

(10) **Patent No.:** **US D606,401 S**
(45) **Date of Patent:** **** Dec. 22, 2009**

- (54) **CONTAINER CLOSURE**
- (75) Inventors: **Ramesh M. Kamath**, Crawfordsville, IN (US); **Pranav M. Bhatt**, Crawfordsville, IN (US)
- (73) Assignee: **Closure Systems International, Inc.**, Crawfordsville, IN (US)
- (**) Term: **14 Years**
- (21) Appl. No.: **29/312,269**
- (22) Filed: **Oct. 10, 2008**
- (51) **LOC (9) Cl.** **09-07**
- (52) **U.S. Cl.** **D9/453**
- (58) **Field of Classification Search** D9/772, D9/724, 556, 529, 454, 453, 452, 449, 443, D9/439; D8/312, 107; D7/392.1; D23/261; D14/217; D12/197; 229/123.1; 222/541.2; 220/288; 215/350, 344, 295, 270, 256, 252, 215/218, 216, 209, 206

See application file for complete search history.

(56) **References Cited**
U.S. PATENT DOCUMENTS

D53,911 S	10/1919	Humphrey	
D89,809 S	5/1933	Von Till	
D93,650 S	10/1934	Fleisch	
D96,766 S	9/1935	Kronman	
D99,327 S	4/1936	Howie, Jr.	
D101,623 S	10/1936	Fleisch	
D105,858 S	8/1937	Fleisch	
D136,439 S	10/1943	Tatro	
D136,440 S	10/1943	Tatro	
D138,312 S	7/1944	Derham	
D202,938 S	11/1965	Danks	
D257,740 S	12/1980	Humphrey et al.	
D266,906 S	11/1982	Guerette	
D267,547 S	1/1983	Nightingale	
D276,027 S	10/1984	Albert et al.	
D289,143 S	4/1987	Guillaume	
D291,868 S	9/1987	Hindle	
D309,863 S	8/1990	Baxter	
4,984,703 A *	1/1991	Burzynski	215/350
D318,618 S	7/1991	Scarpa et al.	
D348,645 S *	7/1994	Hitchcock et al.	D12/197
D354,914 S	1/1995	Newman	
5,829,611 A *	11/1998	Beck	215/252

5,913,437 A *	6/1999	Ma	215/252
D415,962 S *	11/1999	Garcia	D9/453
D424,440 S *	5/2000	Wilkinson et al.	D9/446
D438,800 S	3/2001	Brant et al.	
D449,537 S	10/2001	Feigenbaum	
D457,431 S	5/2002	Brant et al.	
D463,281 S *	9/2002	Druitt	D9/452
D465,730 S *	11/2002	Druitt	D9/452
D465,731 S	11/2002	Brant et al.	
D471,455 S	3/2003	Laveault et al.	
D480,644 S *	10/2003	Druitt	D9/452
D482,967 S	12/2003	Bourque et al.	
D500,677 S *	1/2005	Druitt	D9/452
D508,204 S	8/2005	Pitman et al.	
D508,650 S	8/2005	Pitman et al.	
D510,269 S	10/2005	Pitman et al.	
D510,523 S	10/2005	Pitman et al.	
D513,586 S	1/2006	Pitman et al.	
D515,922 S	2/2006	Pitman et al.	
D515,923 S	2/2006	Pitman et al.	
D519,373 S	4/2006	Pitman et al.	
D578,889 S	10/2008	Sadiq	
D580,264 S	11/2008	Szasz	
D583,236 S *	12/2008	Fuchs	D9/453
D584,619 S *	1/2009	Lohrman et al.	D9/453
2008/0110851 A1 *	5/2008	Fuchs et al.	215/344

* cited by examiner

Primary Examiner—Susan Bennett Hattan
(74) *Attorney, Agent, or Firm*—Wood, Phillips, Katz, Clark & Mortimer

(57) **CLAIM**

We claim the ornamental design for a container closure, as shown and described.

DESCRIPTION

FIG. 1 is a top perspective view of the present design;
FIG. 2 is a bottom perspective view of the present design;
FIG. 3 is a side elevational view thereof;
FIG. 4 is a top plan view thereof; and,
FIG. 5 is a bottom plan view thereof.

1 Claim, 2 Drawing Sheets

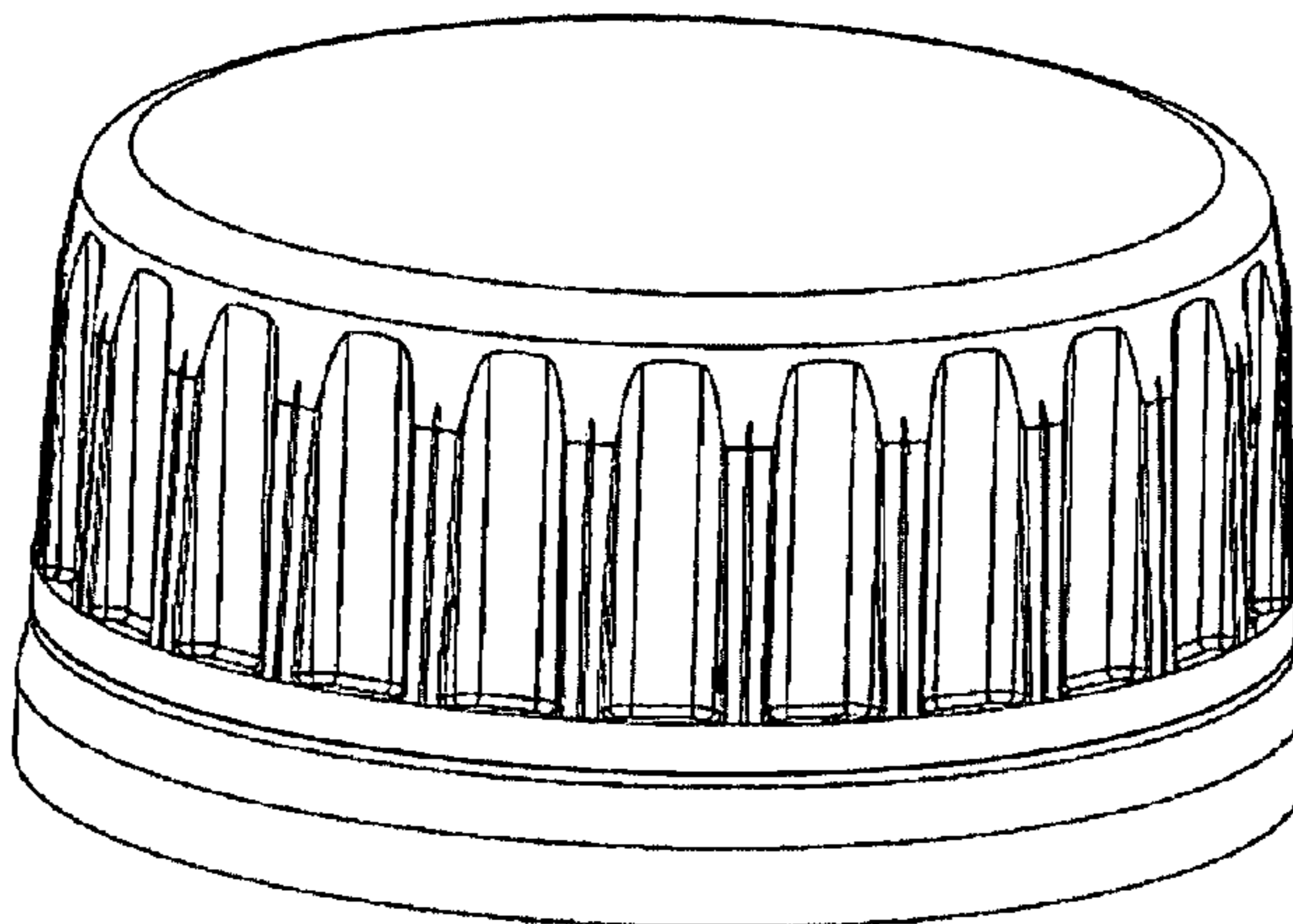


FIG. 1

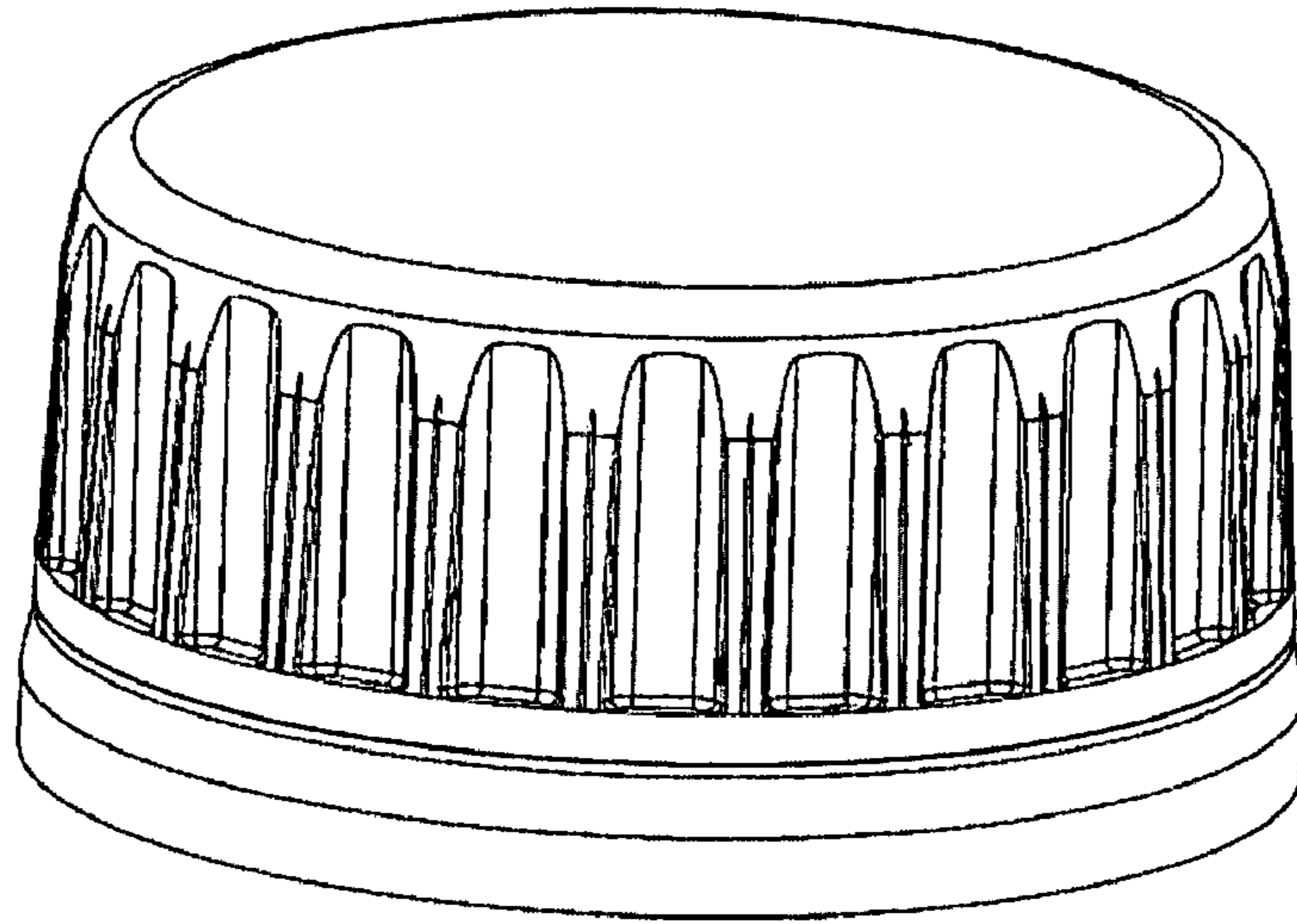


FIG. 2

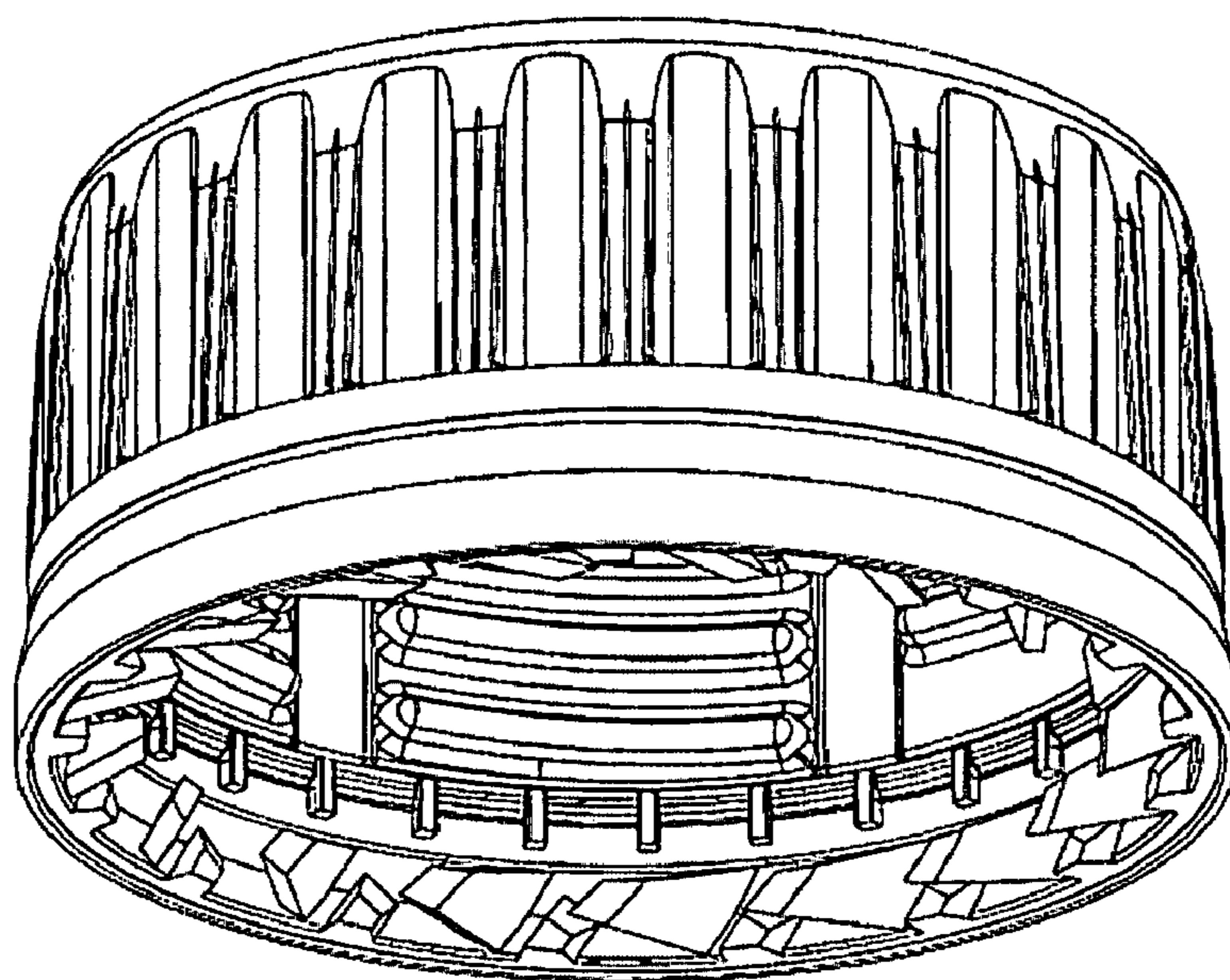


FIG. 3

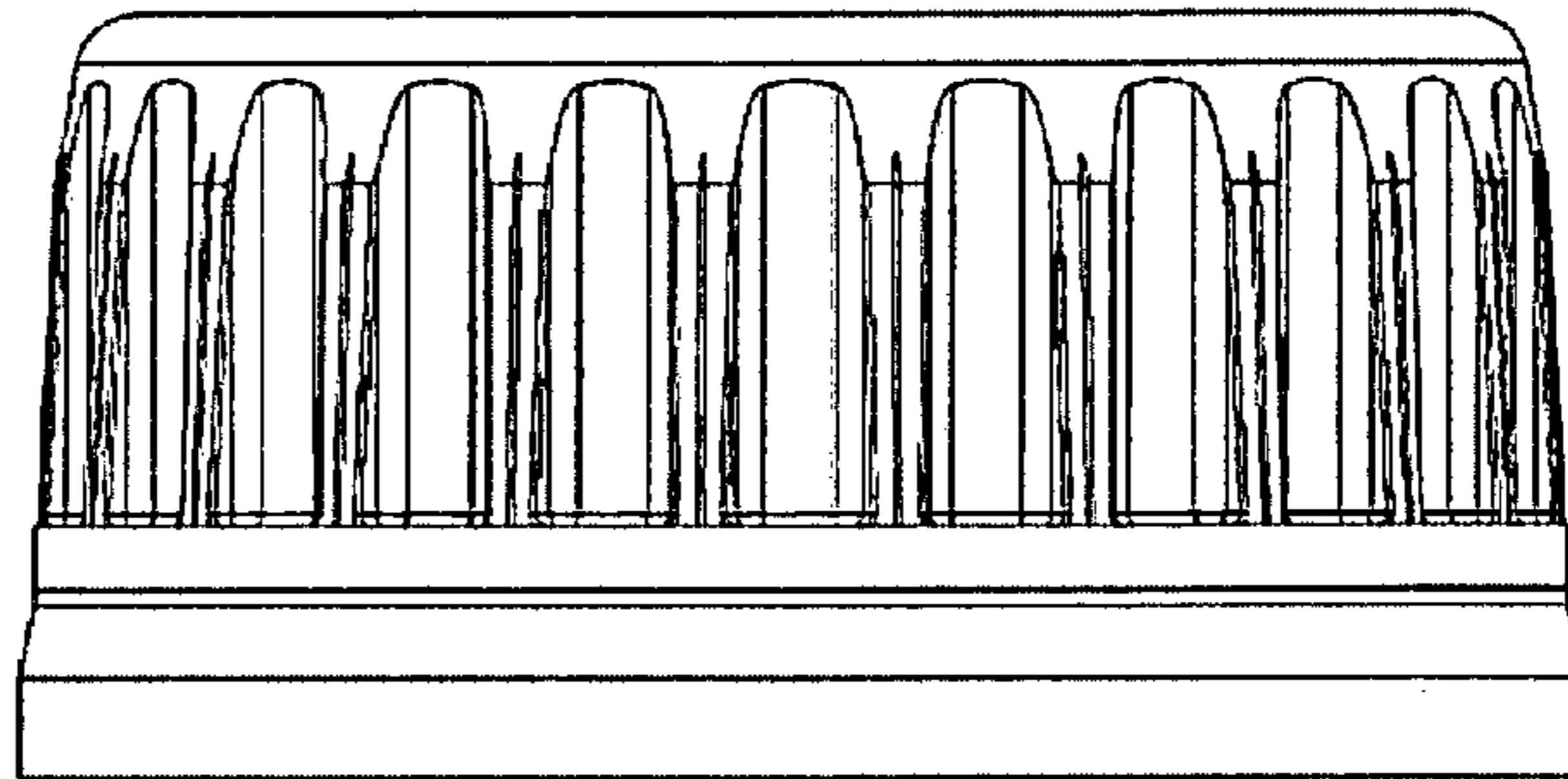


FIG. 4

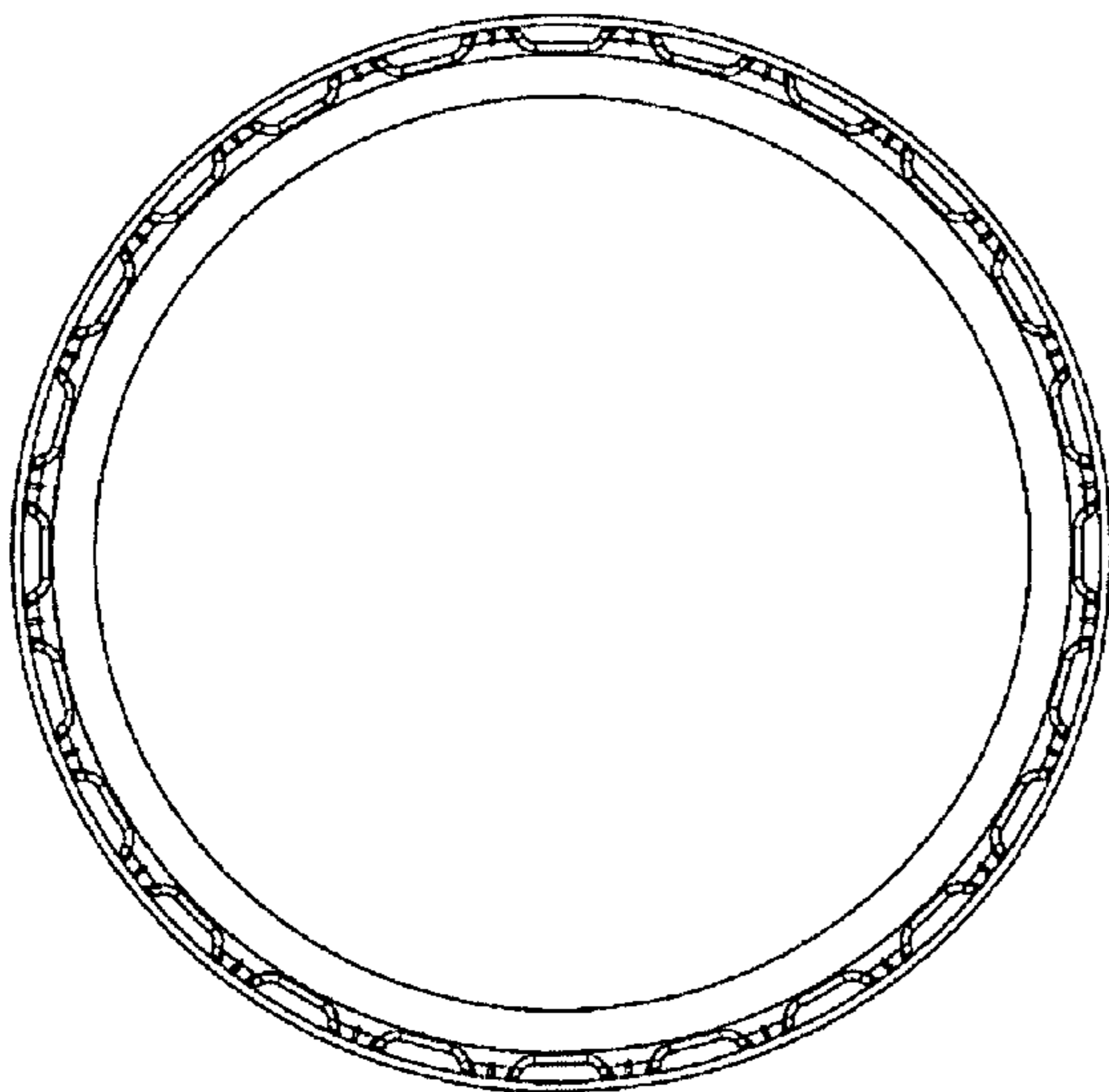


FIG. 5

