



US00D606399S

(12) **United States Design Patent**
Scuturio

(10) **Patent No.:** **US D606,399 S**

(45) **Date of Patent:** **** Dec. 22, 2009**

(54) **UNIVERSAL POUR CAP**

(76) **Inventor:** **Joseph M. Scuturio**, 146 Court St.,
Apartment 206, Brockton, MA (US)
02302

(**) **Term:** **14 Years**

(21) **Appl. No.:** **29/337,747**

(22) **Filed:** **May 28, 2009**

(51) **LOC (9) Cl.** **09-07**

(52) **U.S. Cl.** **D9/449; D9/446**

(58) **Field of Classification Search** D9/556,
D9/529, 454, 453, 452, 449, 443, 439, 504,
D9/450, 447, 446; D8/312; D7/392.1; D23/261;
D14/217; D12/197; 229/123.1; 222/541.2,
222/575, 566, 556, 552, 519, 494, 480, 479,
222/212; 220/288, 810, 781; 215/350, 344,
215/295, 270, 256, 252, 218, 216, 209, 206,
215/235, 236

See application file for complete search history.

(56) **References Cited**

U.S. PATENT DOCUMENTS

3,338,482 A 8/1967 Jordan
3,955,712 A 5/1976 Santore
D265,060 S * 6/1982 Blank D9/446
D274,696 S 7/1984 Marsden
4,545,495 A * 10/1985 Kinsley 215/235

D334,538 S * 4/1993 Bolen et al. D9/447
D339,958 S * 10/1993 Olsen et al. D7/392.1
5,897,037 A 4/1999 Mann
6,006,960 A * 12/1999 Gross 222/494
6,089,419 A * 7/2000 Gross 222/494
6,523,720 B1 2/2003 Robbins, III
D475,923 S * 6/2003 Renz D9/446
7,021,506 B2 4/2006 Soehrlen et al.
D585,742 S * 2/2009 Wilson et al. D9/449
D598,752 S * 8/2009 Wilson et al. D9/449
2006/0086764 A1 4/2006 Dery

* cited by examiner

Primary Examiner—Susan Bennett Hattan

(57) **CLAIM**

The ornamental design for a universal pour cap, as shown and described.

DESCRIPTION

FIG. 1 is a perspective view of a universal pour cap showing my new design;
FIG. 2 is a front view thereof;
FIG. 3 is a back view thereof;
FIG. 4 is a side view thereof (opposite side is mirror image);
FIG. 5 is a top view thereof; and,
FIG. 6 is a bottom view thereof.

1 Claim, 6 Drawing Sheets

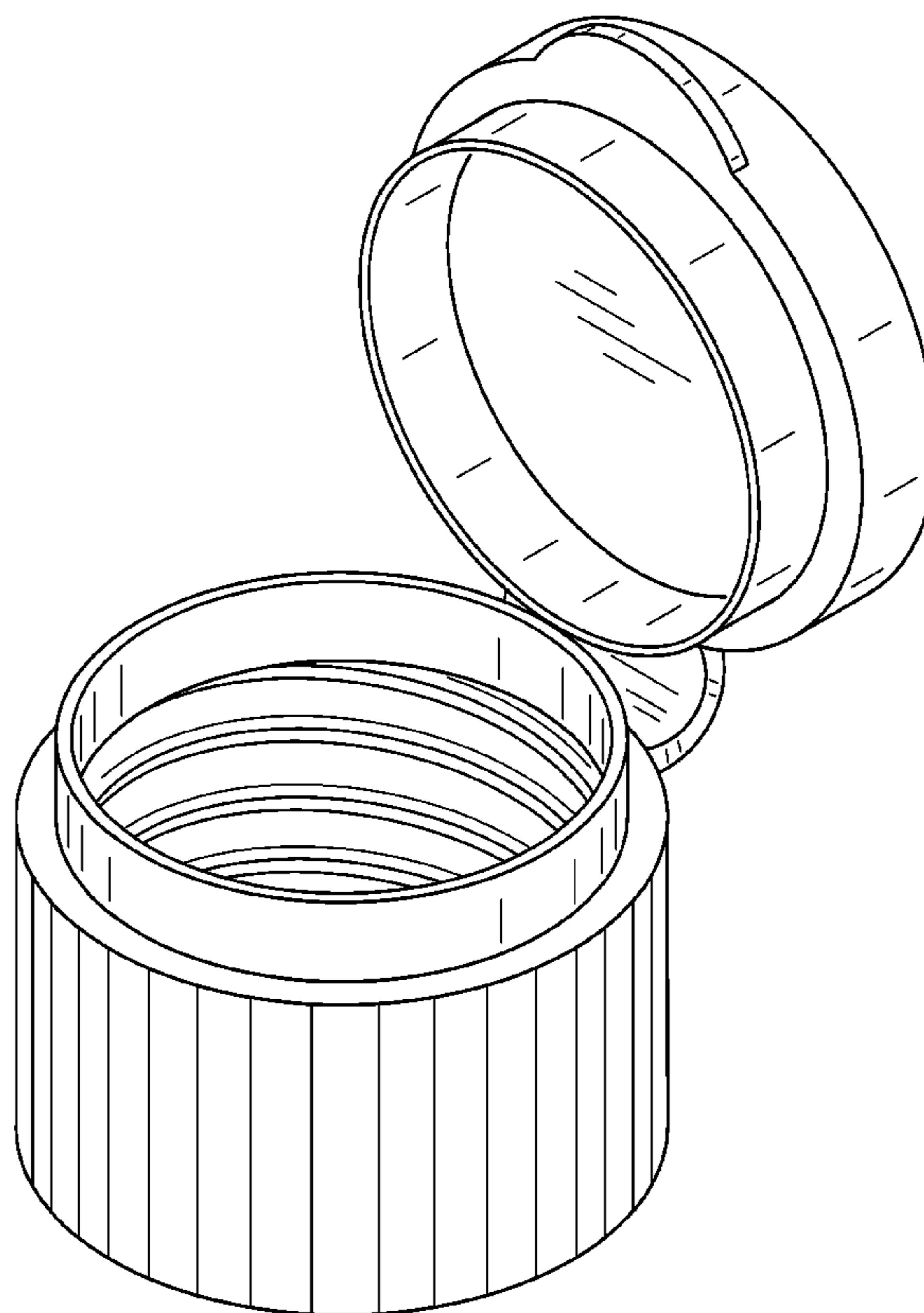


FIG. 1

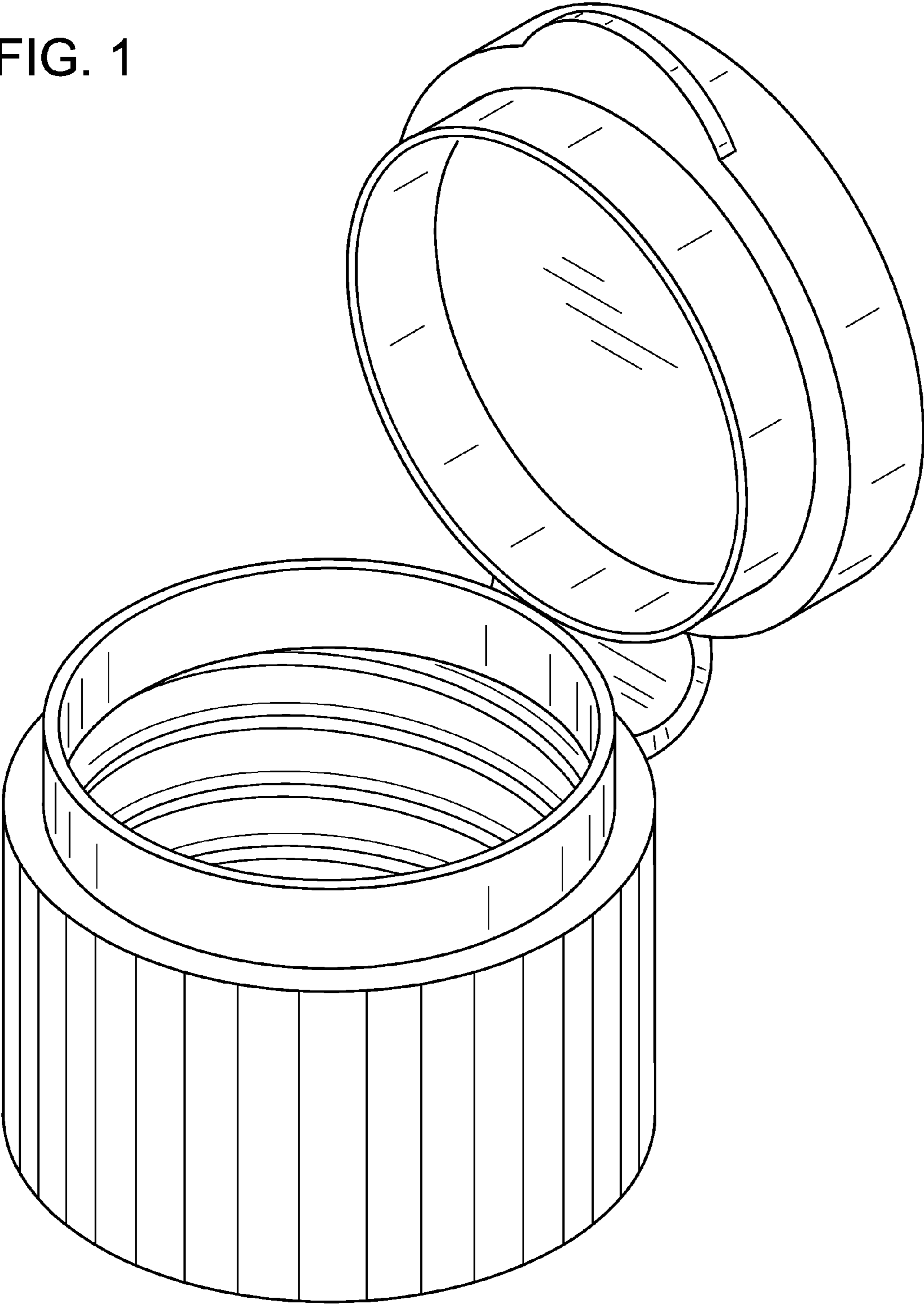
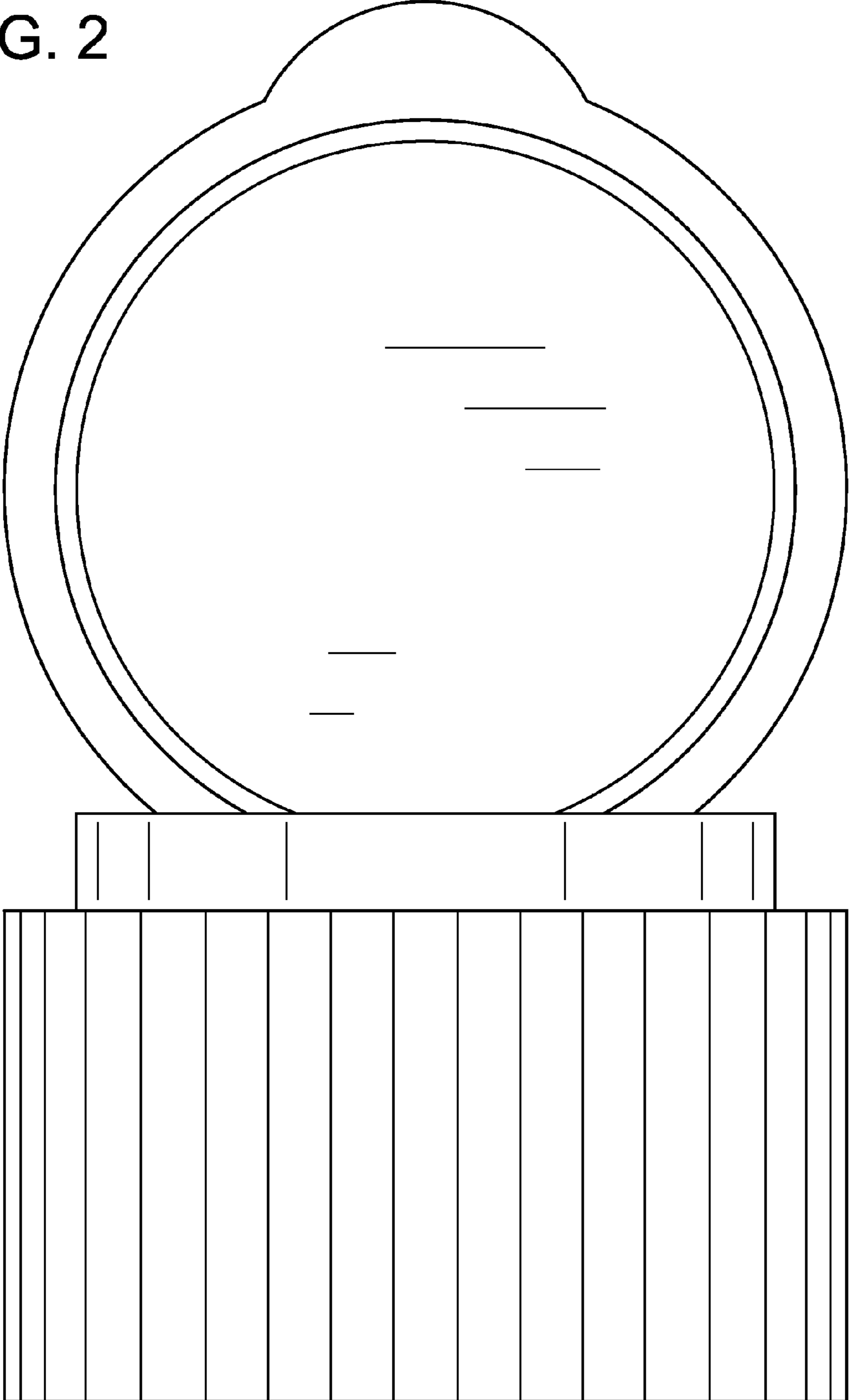


FIG. 2



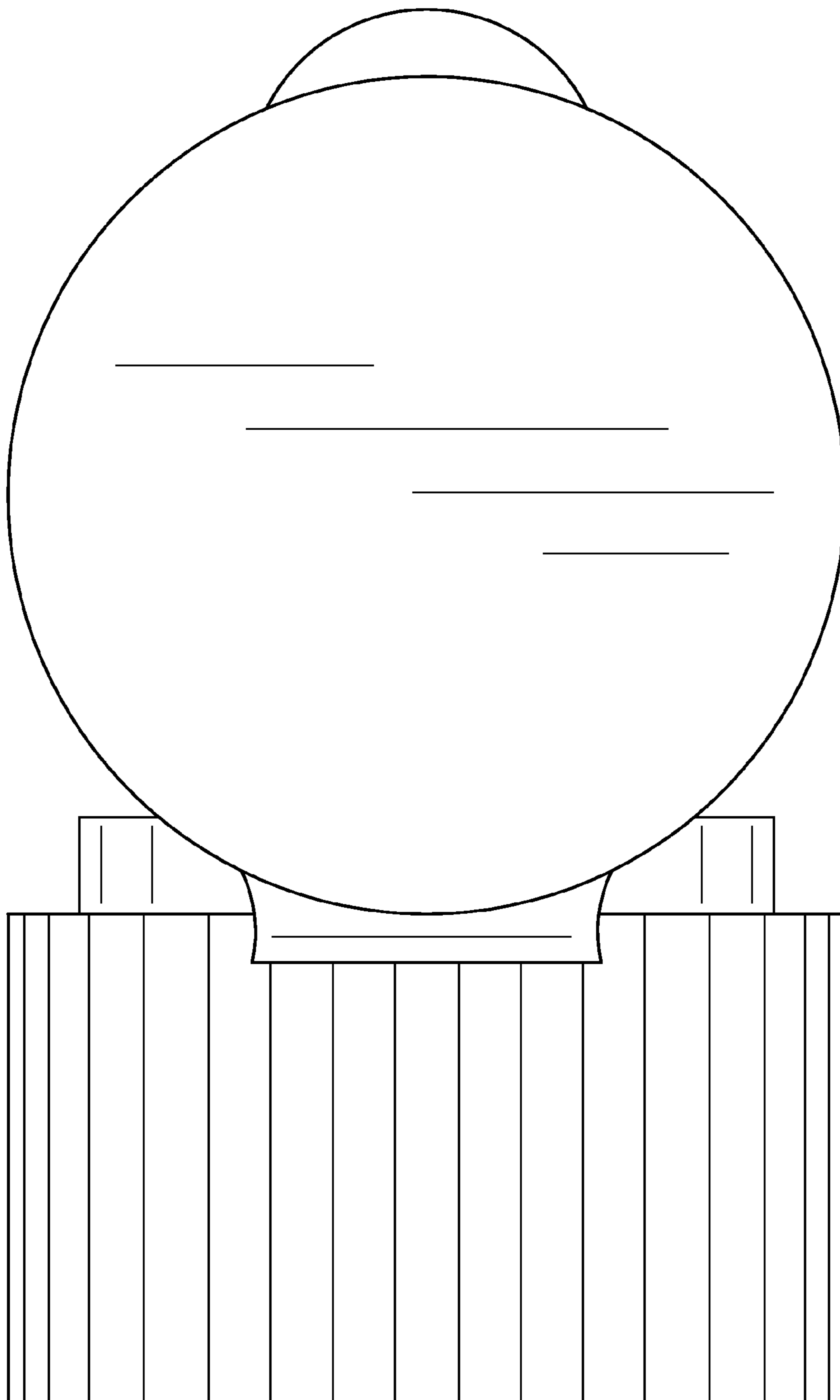
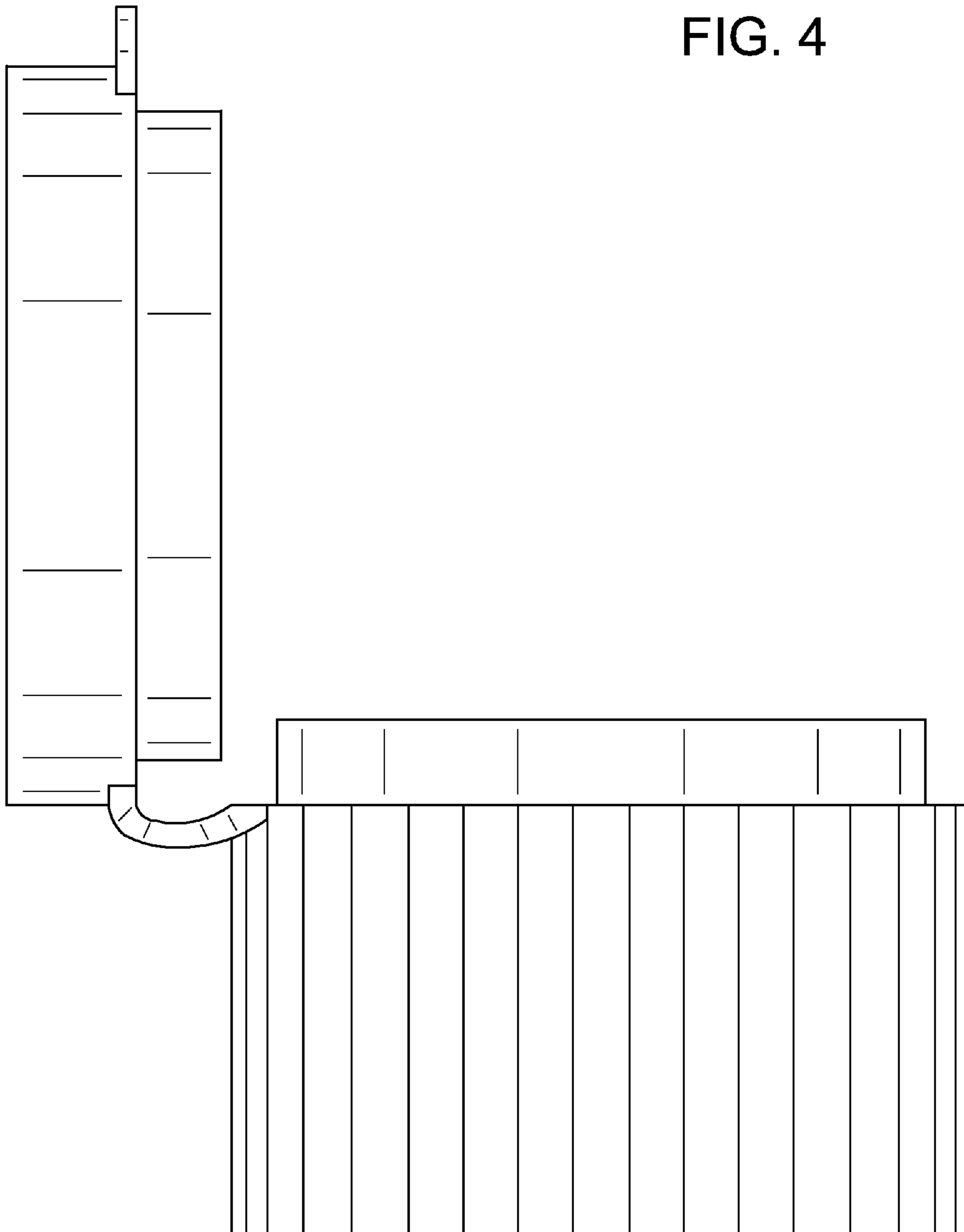


FIG. 3

FIG. 4



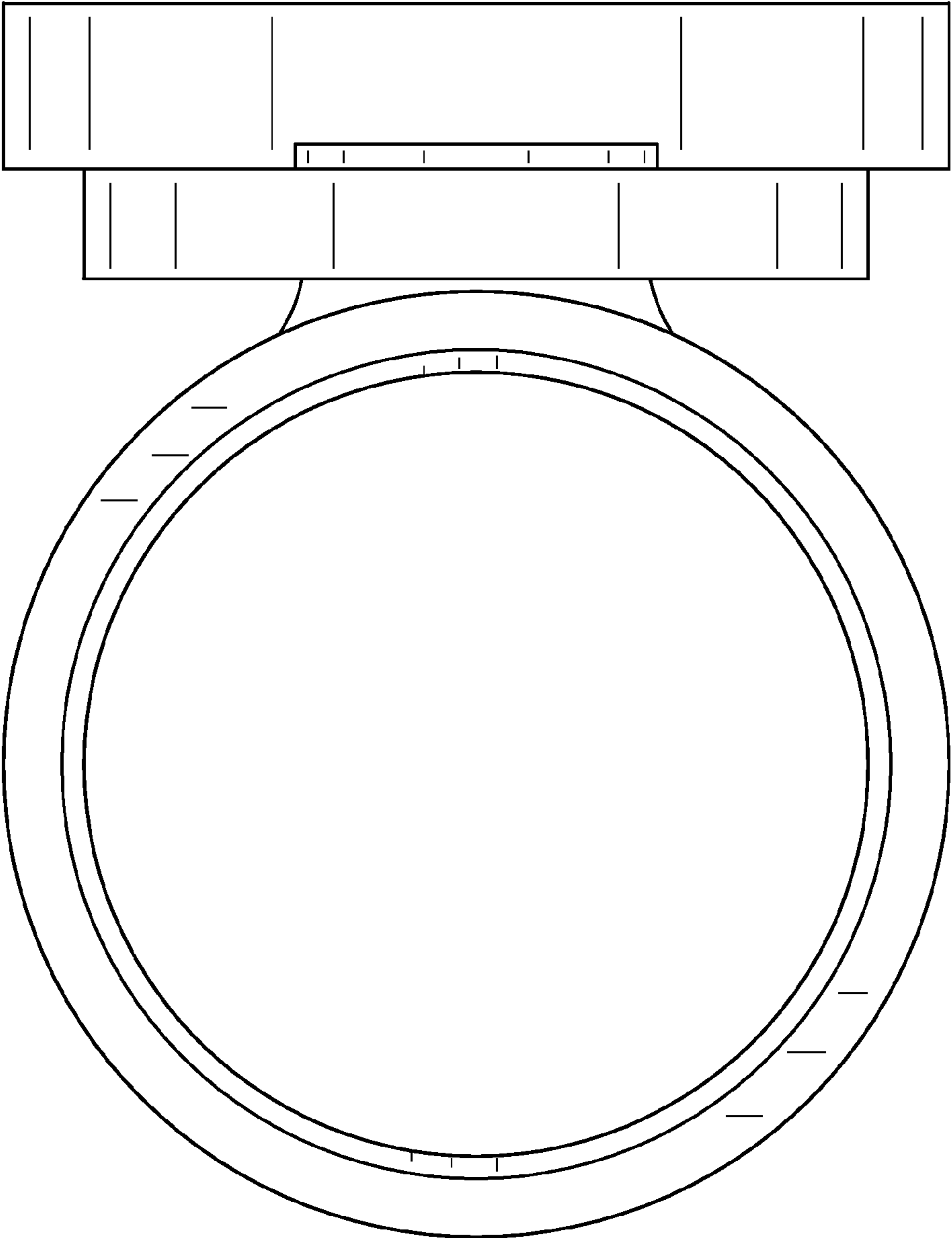


FIG. 5

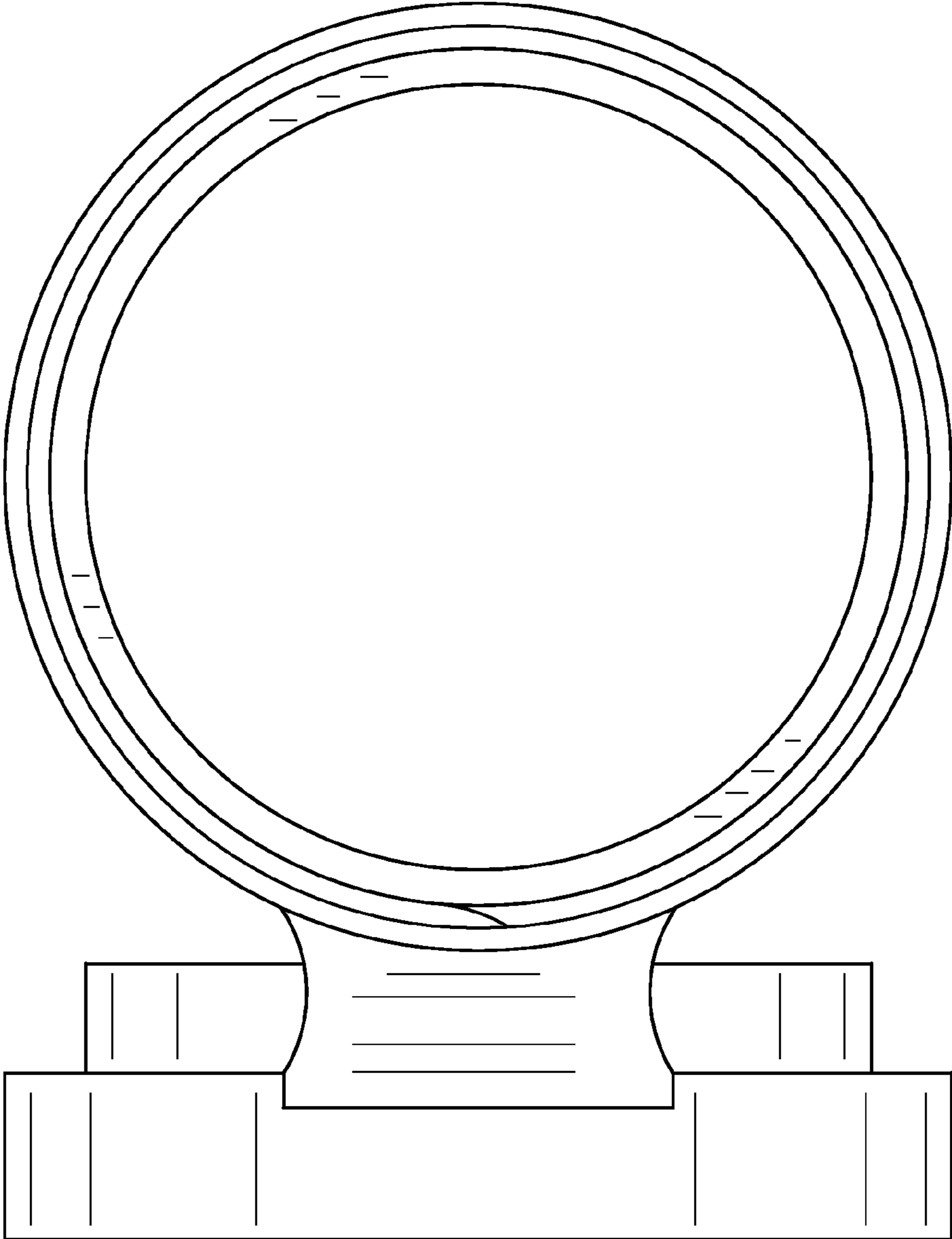


FIG. 6