



US00D606398S

(12) **United States Design Patent**
Ellinghausen

(10) **Patent No.:** **US D606,398 S**
(45) **Date of Patent:** **** Dec. 22, 2009**

- (54) **GRADUATED DISPENSING CAP**
- (75) Inventor: **Craig W. Ellinghausen**, Wheaton, IL (US)
- (73) Assignee: **Midwest Printing, Incorporated**, Wheaton, IL (US)
- (**) Term: **14 Years**
- (21) Appl. No.: **29/338,168**
- (22) Filed: **Jun. 5, 2009**

- D251,008 S * 2/1979 Kajiwara D19/73
- D304,897 S 12/1989 Lin
- D327,015 S 6/1992 Stallings
- D345,501 S 3/1994 Prince
- D405,830 S * 2/1999 Mak D19/73
- D493,074 S * 7/2004 Brousseau et al. D7/678

* cited by examiner

Primary Examiner—Susan Bennett Hattan
(74) *Attorney, Agent, or Firm*—McAndrews, Held & Malloy, Ltd.

Related U.S. Application Data

- (63) Continuation of application No. 29/328,003, filed on Nov. 17, 2008, now Pat. No. Des. 595,574, which is a continuation of application No. 29/279,667, filed on May 4, 2007, now Pat. No. Des. 580,757.

- (51) **LOC (9) Cl.** **09-07**
- (52) **U.S. Cl.** **D9/447**
- (58) **Field of Classification Search** D9/733, D9/726, 529, 501, 503, 454, 450, 449, 447, D9/440, 435; D28/7; D24/224; 222/566, 222/562, 255, 254.1, 369; 220/288, 259.3, 220/257.1, 256.1, 254.1, 212; 215/252; D7/679, D7/678, 589, 414, 697; D19/73, 74
See application file for complete search history.

References Cited

U.S. PATENT DOCUMENTS

- D128,075 S 7/1941 Mellinger
- D148,482 S 1/1948 Pla
- D152,554 S * 2/1949 May D19/74
- D235,501 S 6/1975 Mantelet
- D235,502 S 6/1975 Mantelet
- D250,035 S * 10/1978 Kajiwara D19/73

(57) **CLAIM**

The ornamental design for a graduated dispensing cap, as shown and described.

DESCRIPTION

FIG. 1 is a perspective view of a graduated dispensing cap.
 FIG. 2 is a top plan view of the graduated dispensing cap of FIG. 1.
 FIG. 3 is a front elevational view of the graduated dispensing cap of FIG. 1.
 FIG. 4 is a rear elevational view of the graduated dispensing cap of FIG. 1.
 FIG. 5 is a right-side elevational view of the graduated dispensing cap of FIG. 1; and,
 FIG. 6 is a left-side elevational view of the graduated dispensing cap of FIG. 1.

The broken lines in the figures immediately adjacent to the shaded areas represent the bounds of the claim and form no part of the claimed design. The broken lines showing the structure of the handle portion and the connector portion of the graduated dispensing cap depict environmental only and form no part of the claimed design.

1 Claim, 4 Drawing Sheets

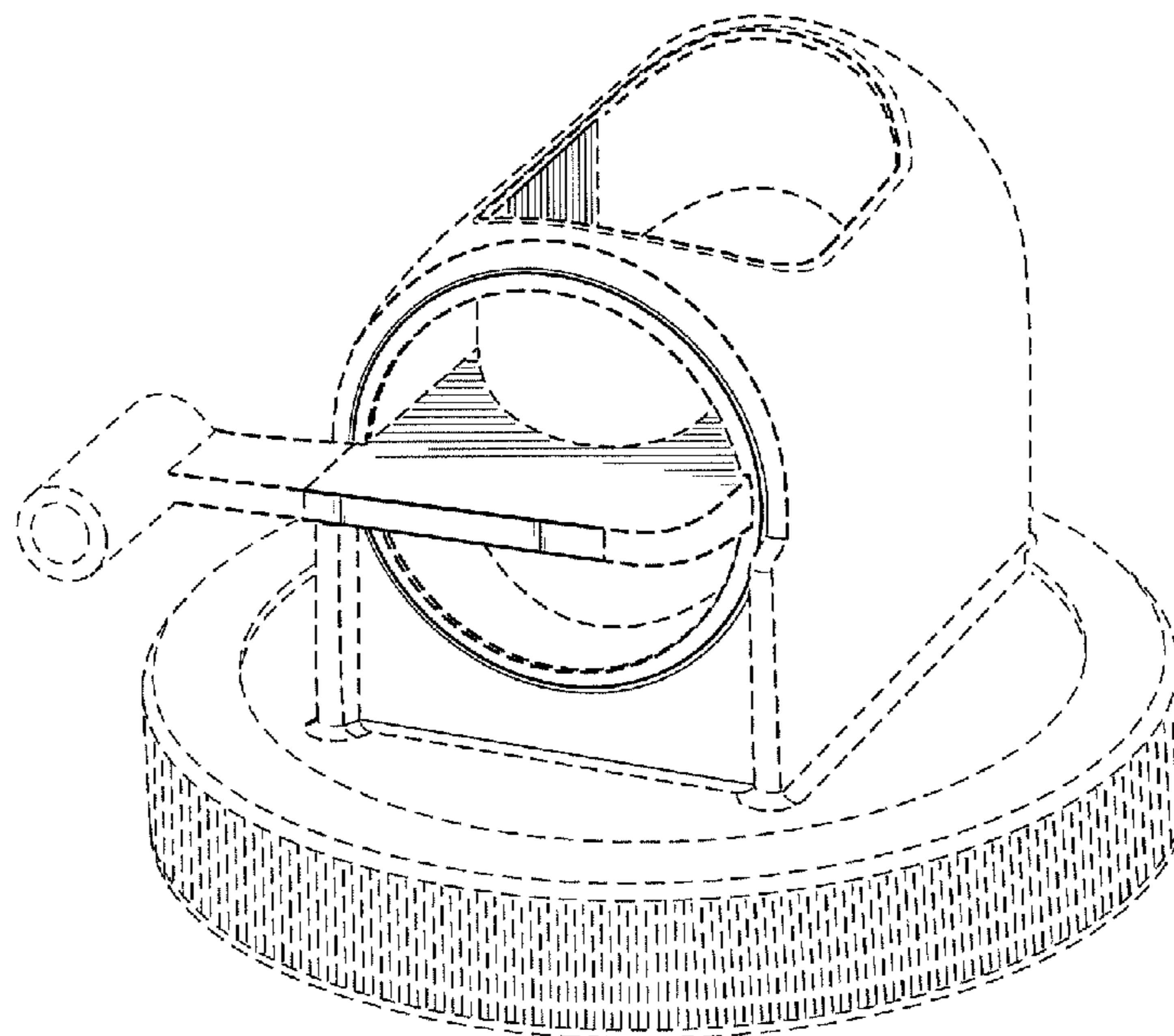


Fig. 1

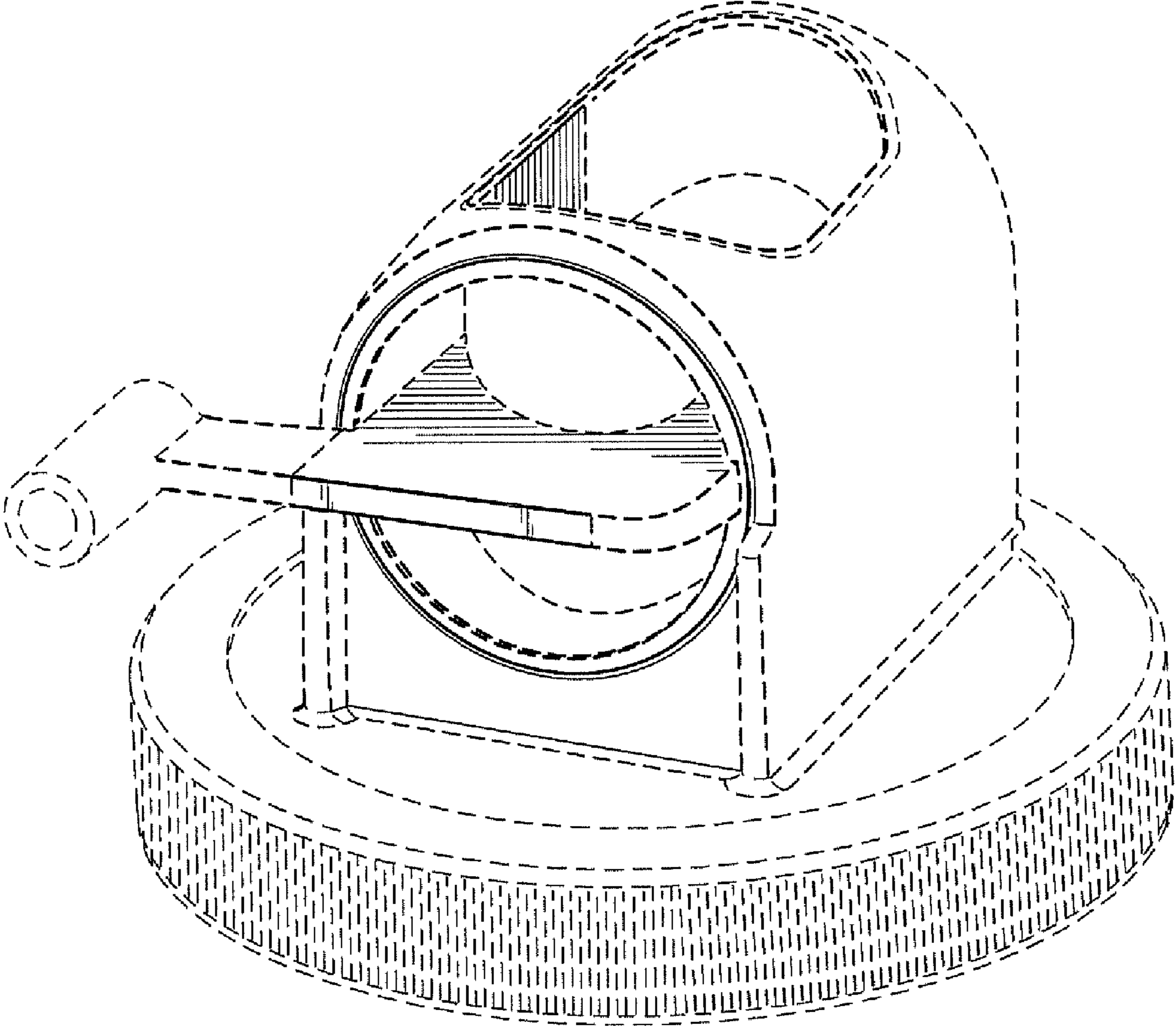


Fig. 2

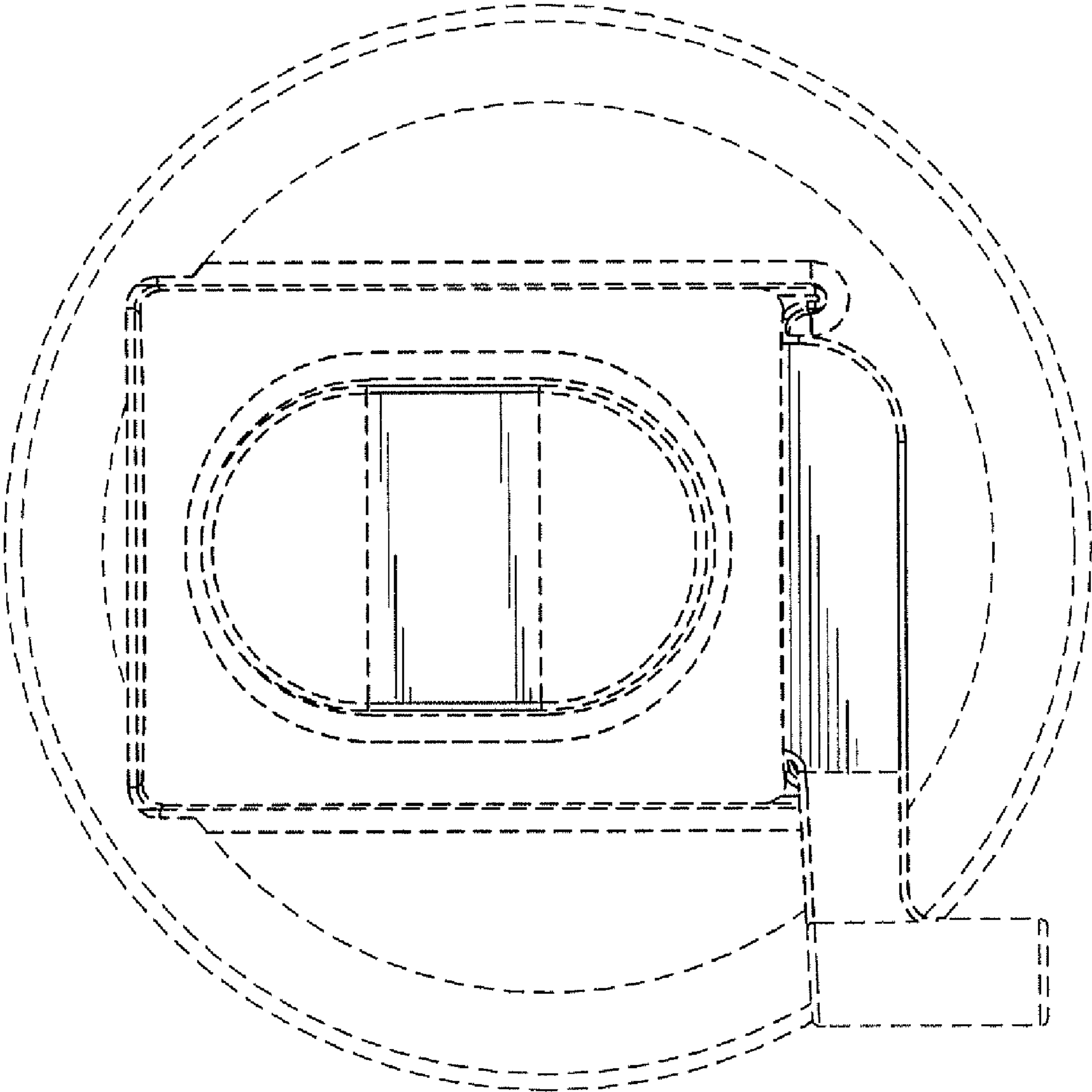


Fig. 3

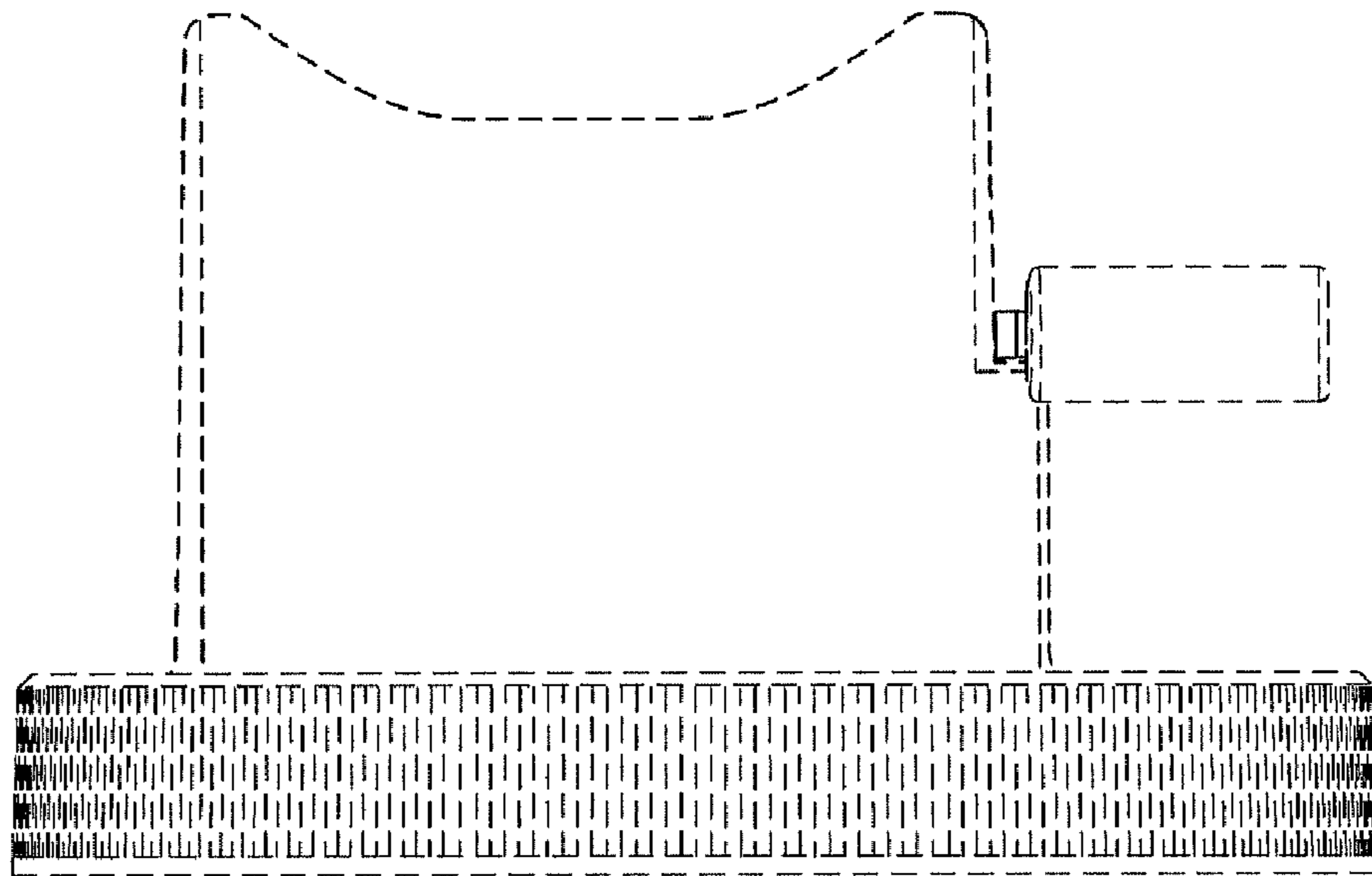


Fig. 4

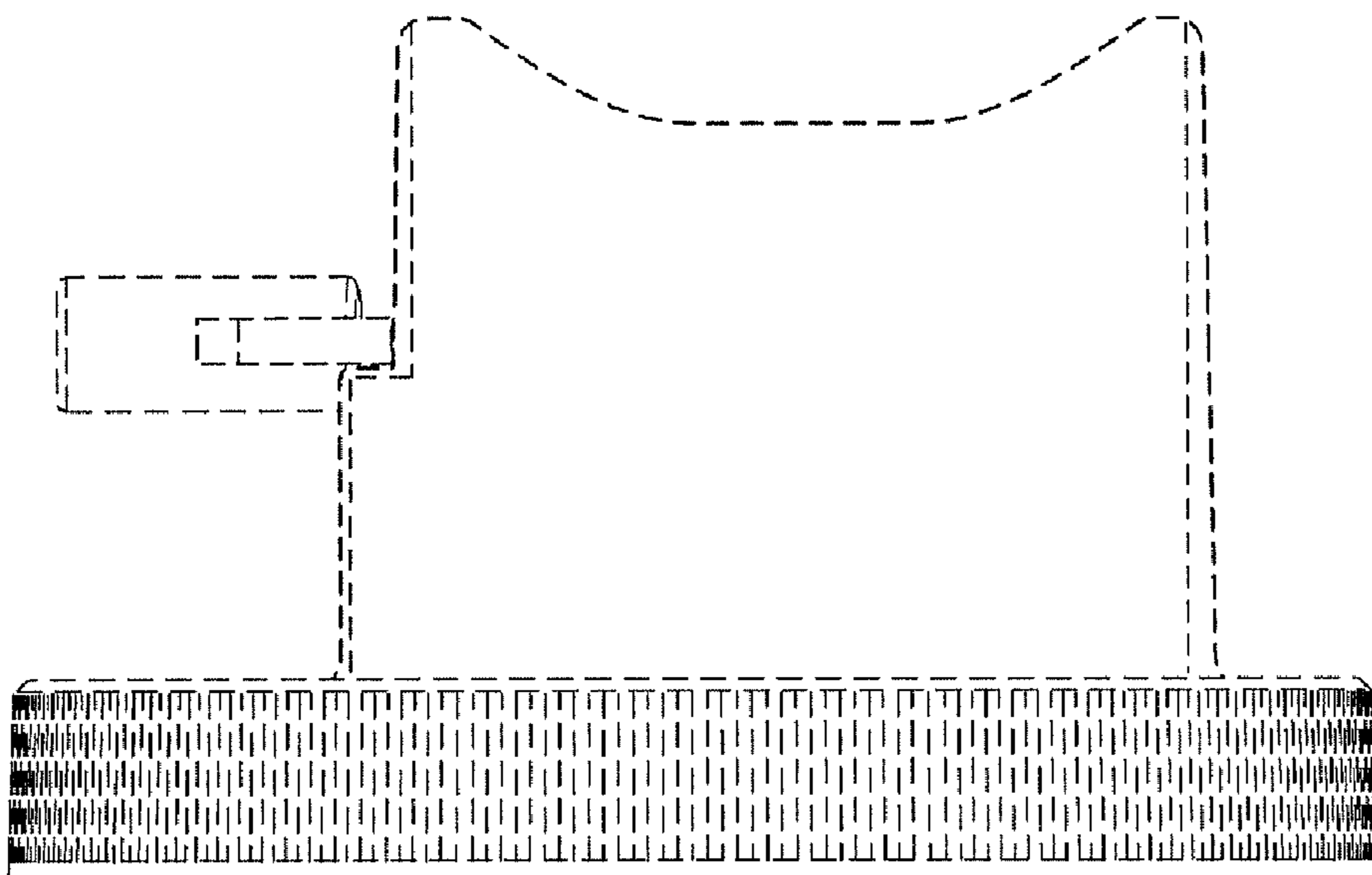


Fig. 5

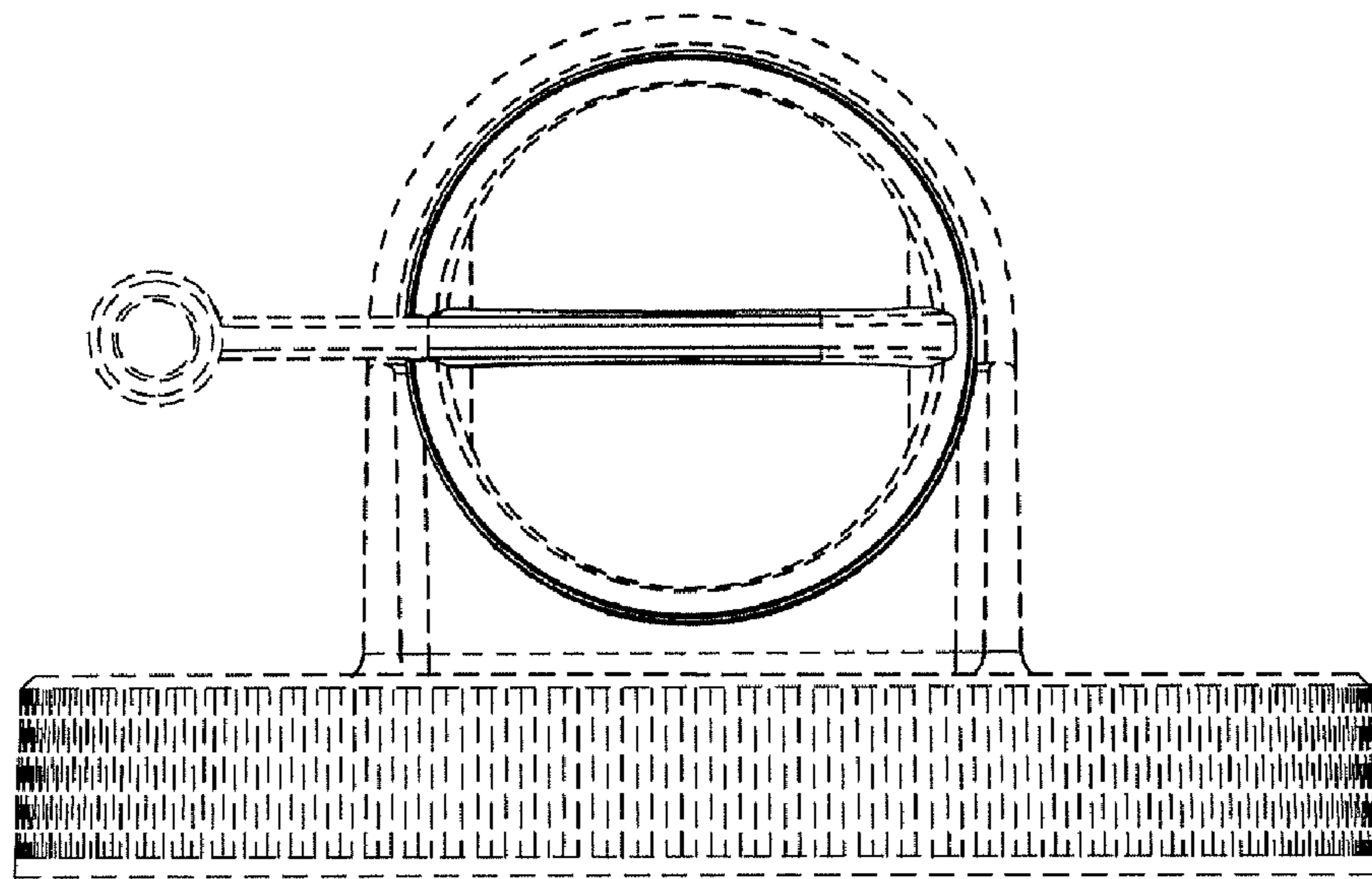


Fig. 6

