



US00D606396S

(12) **United States Design Patent**  
**Mendez**

(10) **Patent No.:** **US D606,396 S**  
(45) **Date of Patent:** **\*\* Dec. 22, 2009**

(54) **PACKAGE/CENTERPIECE**

2,307,076 A \* 1/1943 Ray ..... 53/449

(75) Inventor: **Miguel Angel Mendez**, Beaverton, OR  
(US)

(Continued)

FOREIGN PATENT DOCUMENTS

(73) Assignee: **Klassic Corp.**, Portland, OR (US)

EC -683602-0003 \* 3/2007

(\*\*) Term: **14 Years**

*Primary Examiner*—T. Chase Nelson

*Assistant Examiner*—Karen Acker

(21) Appl. No.: **29/280,768**

(74) *Attorney, Agent, or Firm*—Marger Johnson & McCollom, P.C.

(22) Filed: **Jun. 6, 2007**

(51) **LOC (9) Cl.** ..... **09-03**

(52) **U.S. Cl.** ..... **D9/433**

(58) **Field of Classification Search** ..... D9/430–433,  
D9/414, 418, 420–423, 529, 560; 206/278,  
206/297, 299, 433, 457, 770, 737, 769, 776,  
206/777, 778; 229/100, 101, 103.3, 106,  
229/107, 108, 108.1, 109, 110, 112, 116,  
229/116.5, 117, 117.01, 117.05, 117.03–117.08,  
229/121, 122, 122.24, 122.29, 125.015, 126,  
229/152, 181.1, 185.1, 186, 201, 917, 922,  
229/923, 930–933, 935, 937, 939, 942, 125.012,  
229/116.1; D3/201, 272, 273, 281

See application file for complete search history.

(56) **References Cited**

U.S. PATENT DOCUMENTS

- 773,814 A \* 11/1904 Shotts ..... 229/108
- 782,544 A \* 2/1905 Carrier ..... 229/120.17
- 823,934 A \* 6/1906 Davidson ..... 229/106
- 1,112,642 A \* 10/1914 Morgenstern ..... 229/110
- 1,412,971 A \* 4/1922 Sayo ..... 229/800
- 1,600,687 A \* 9/1926 Mantz ..... 229/120.23
- 1,650,337 A \* 11/1927 Fletcher ..... 217/29
- 1,689,069 A \* 10/1928 Carver et al. .... 229/120.1
- 1,727,706 A \* 9/1929 Hitt ..... 446/5
- 2,084,423 A \* 6/1937 Battye ..... 229/89
- 2,132,666 A \* 10/1938 Williams ..... 229/125.05
- 2,133,336 A \* 10/1938 Ziemmerman ..... 229/102.5
- 2,151,066 A \* 3/1939 Anderson ..... 434/403
- 2,163,060 A \* 6/1939 Ray ..... 229/125.28
- 2,174,687 A \* 10/1939 Comley ..... 229/110
- 2,304,373 A \* 12/1942 Palmer ..... 229/122.33

(57) **CLAIM**

The ornamental design for a package/centerpiece, as shown and described.

**DESCRIPTION**

FIG. 1 is a top plan view of a top part of my package/centerpiece showing my new design;

FIG. 2 is a top plan view of a bottom part of my package/centerpiece showing my new design;

FIG. 3 is a top plan view of a third part which secures the top part of my package/centerpiece in an open position;

FIG. 4 is an isometric view of my package/centerpiece, as shown in FIGS. 1 and 2, showing my new design assembled and in a closed position;

FIG. 5 is a top plan view of the design of FIG. 4;

FIG. 6 is a side elevational view of the design of FIG. 4;

FIG. 7 is an isometric view of my package/centerpiece, as shown in FIG. 4, showing my new design in the open position with the part of FIG. 3 in place;

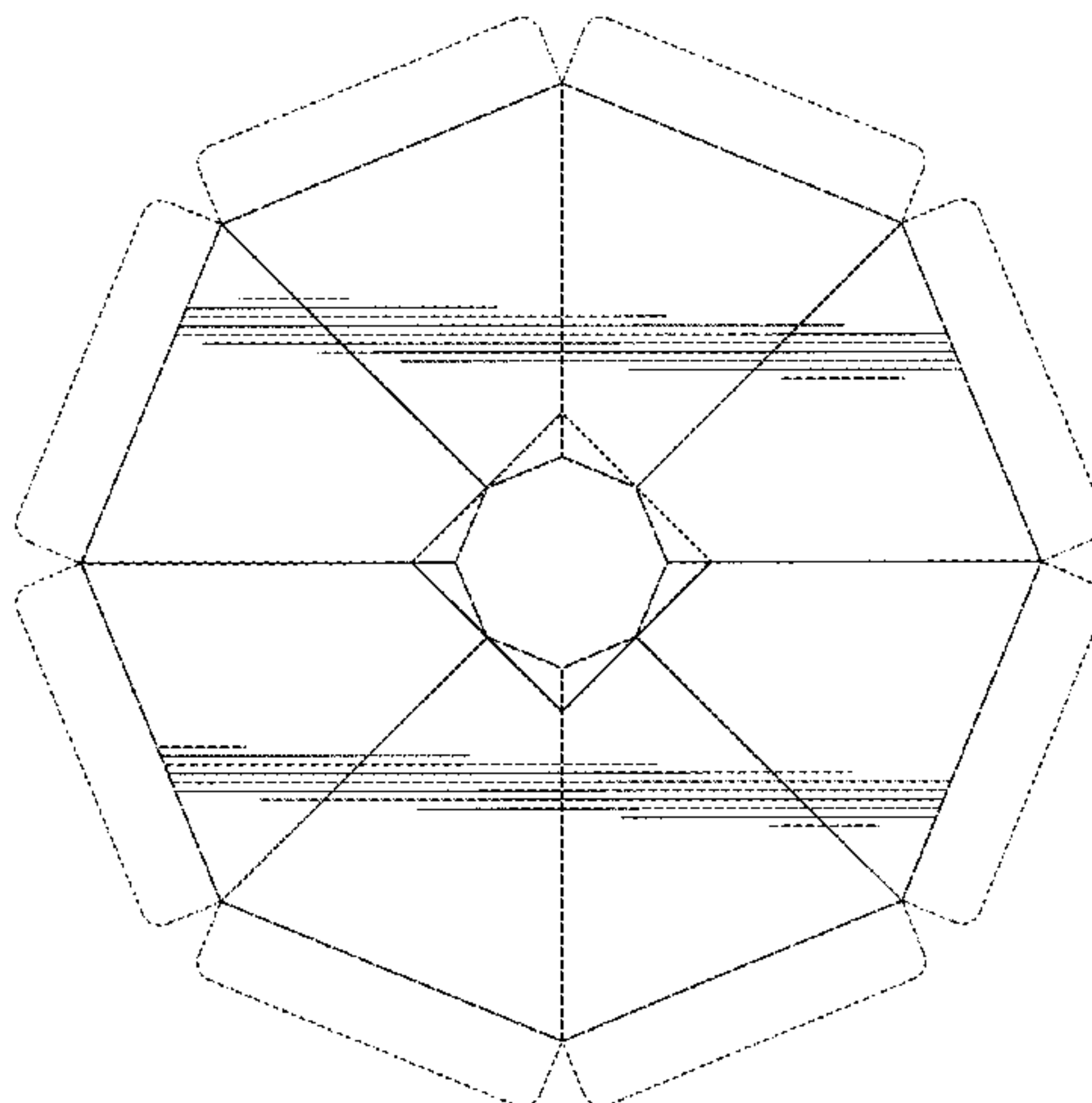
FIG. 8 is a side elevational view of the design of FIG. 7;

FIG. 9 is an opposing side elevational view of the design of FIG. 7; and,

FIG. 10 is a top plan view of the design of FIG. 7.

The broken lines and the areas within the broken lines in the drawings represent portions of the package/centerpiece that form no part of the claimed design.

**1 Claim, 7 Drawing Sheets**



# US D606,396 S

Page 2

---

## U.S. PATENT DOCUMENTS

2,319,974	A *	5/1943	Buttery	.....	229/109	3,771,713	A *	11/1973	Davidson	.....	229/120.12
2,320,665	A *	6/1943	Shearer	.....	229/110	3,896,786	A *	7/1975	Clevett	.....	126/681
2,352,393	A *	6/1944	Lee	.....	229/102.5	4,340,168	A *	7/1982	Webinger	.....	229/125.19
2,436,300	A *	2/1948	Horr	.....	229/102.5	D290,813	S *	7/1987	Forbes, Jr.	.....	D9/433
2,706,592	A *	4/1955	Schaller	.....	229/109	D316,752	S *	5/1991	Ricketts	.....	D24/226
2,724,538	A *	11/1955	Schweich	.....	206/303	D344,023	S *	2/1994	Eisman	.....	D9/430
2,749,018	A *	6/1956	Berke	.....	229/108.1	5,351,880	A *	10/1994	Goudreau	.....	229/120.32
2,751,138	A *	6/1956	Laver	.....	229/109	5,397,051	A *	3/1995	Liu et al.	.....	229/109
2,773,590	A *	12/1956	Levinson	.....	206/771	6,063,415	A *	5/2000	Walters	.....	426/107
2,832,466	A *	4/1958	Sheard	.....	206/396	2006/0006214	A1 *	1/2006	Pavlu et al.	.....	229/116.1
2,925,213	A *	2/1960	Zukoski	.....	229/122						

\* cited by examiner

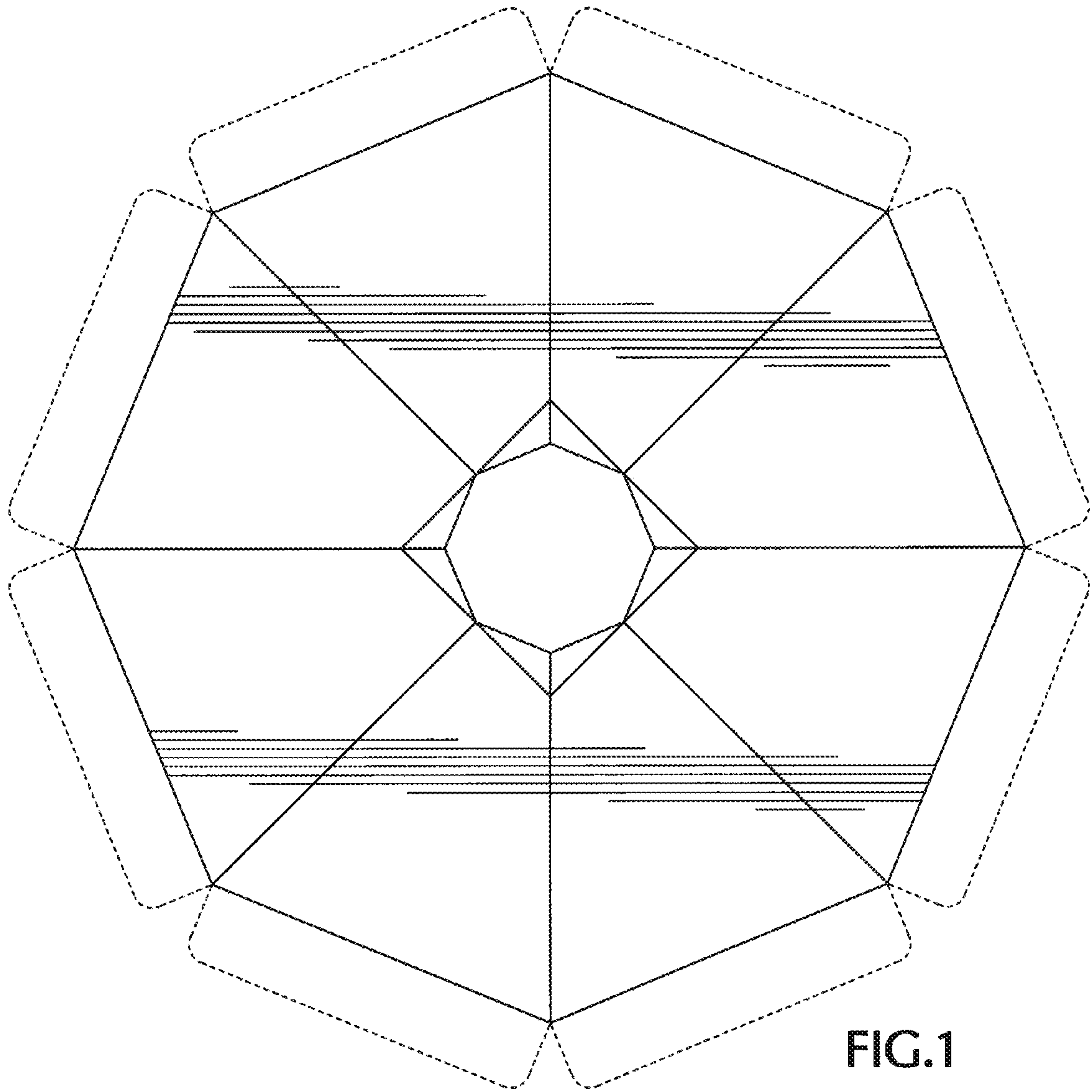


FIG.1

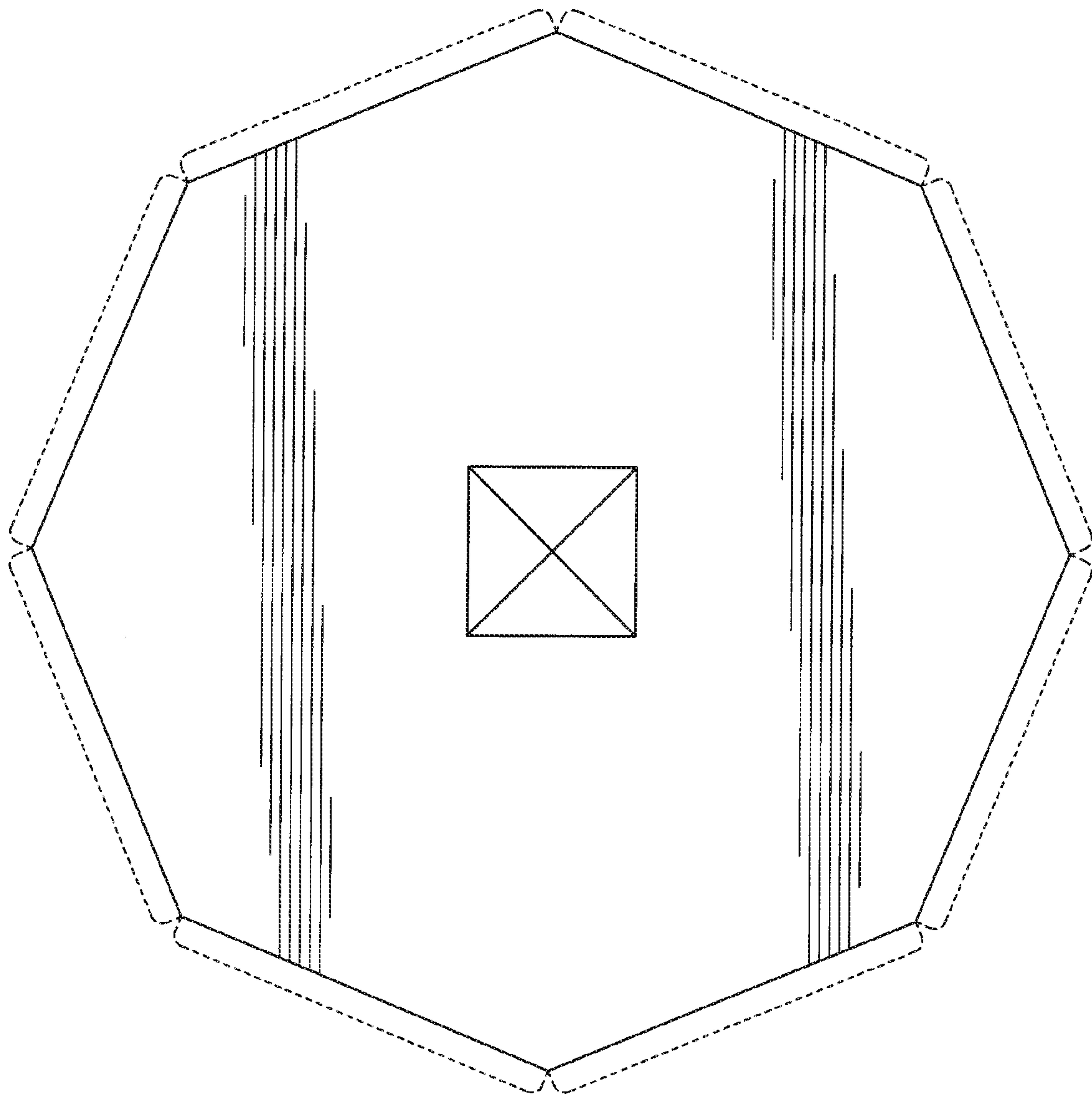


FIG. 2

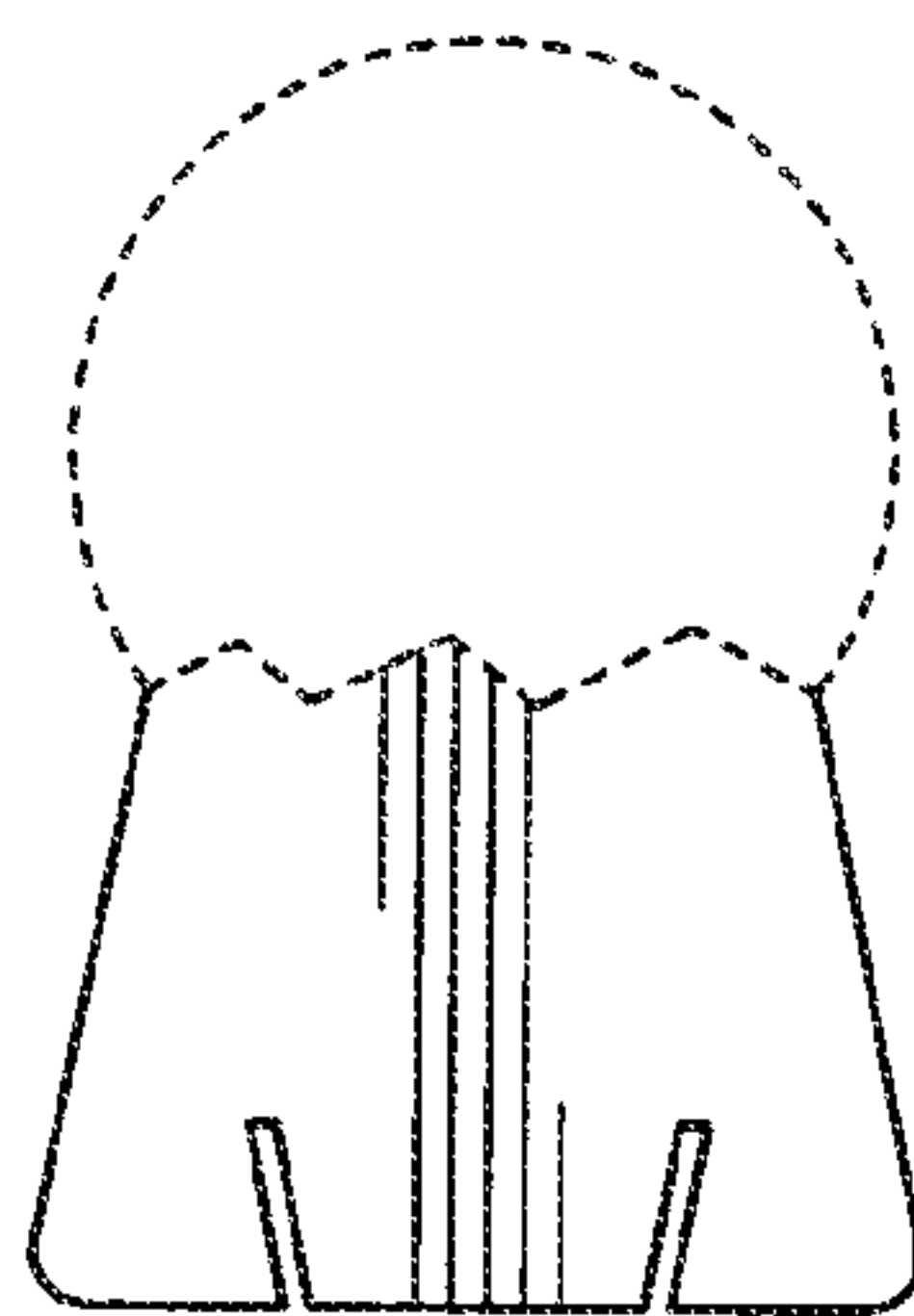


FIG. 3

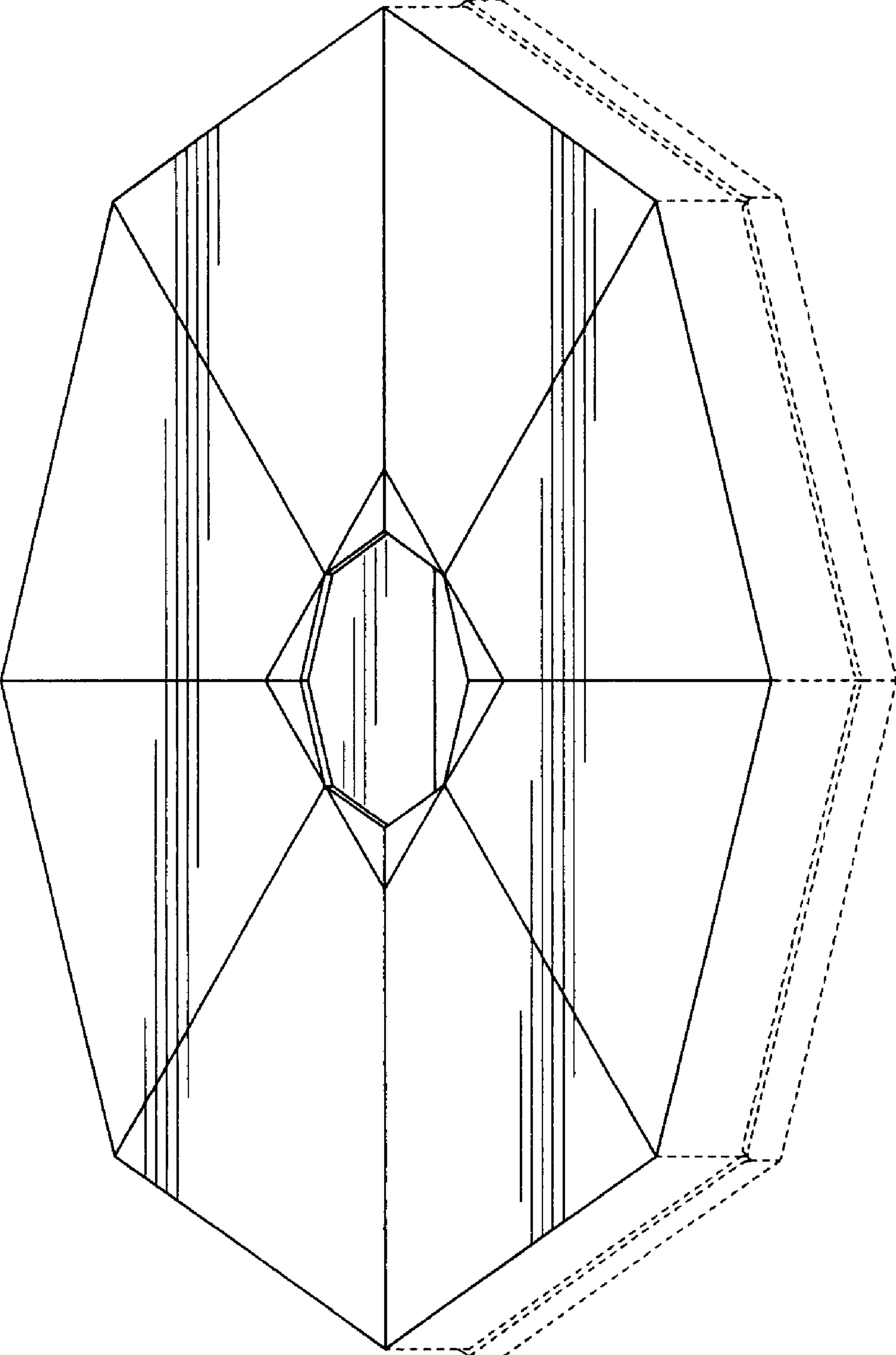


FIG.4



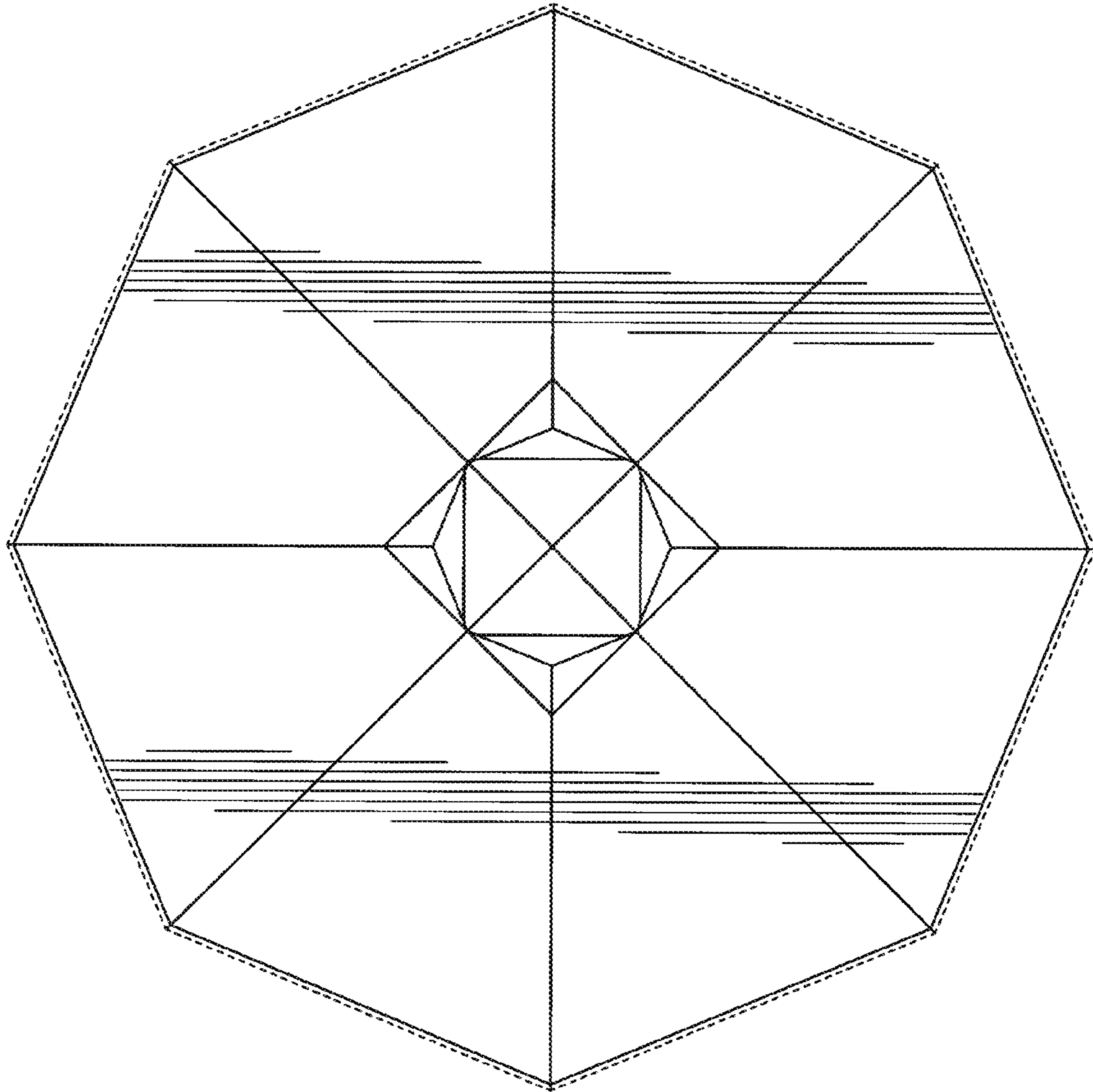


FIG. 5

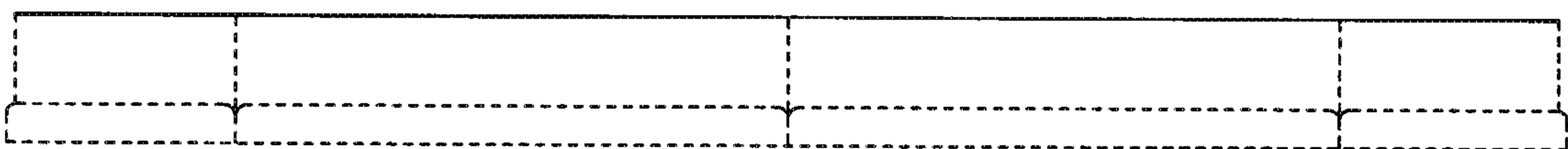


FIG. 6

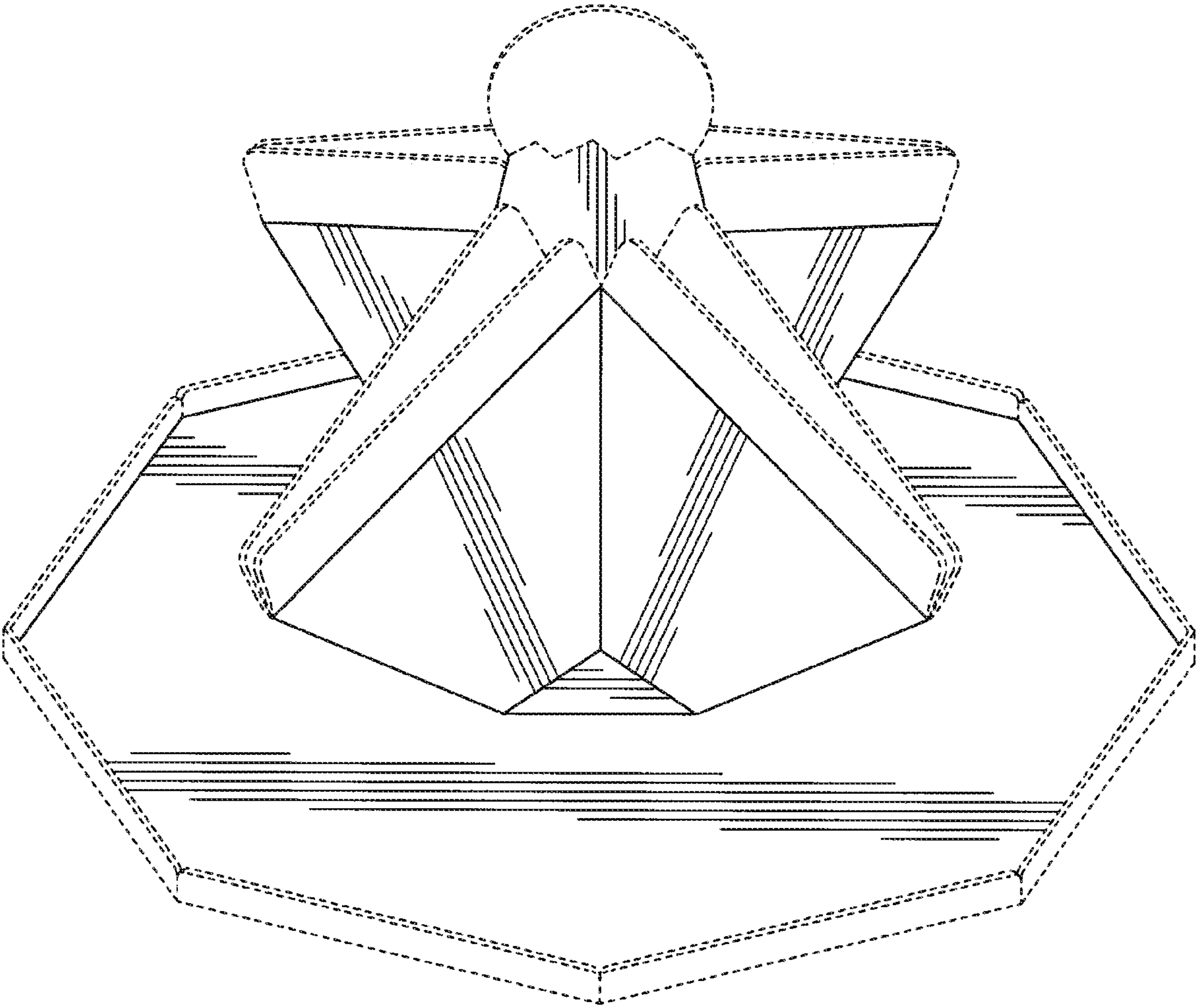


FIG.7

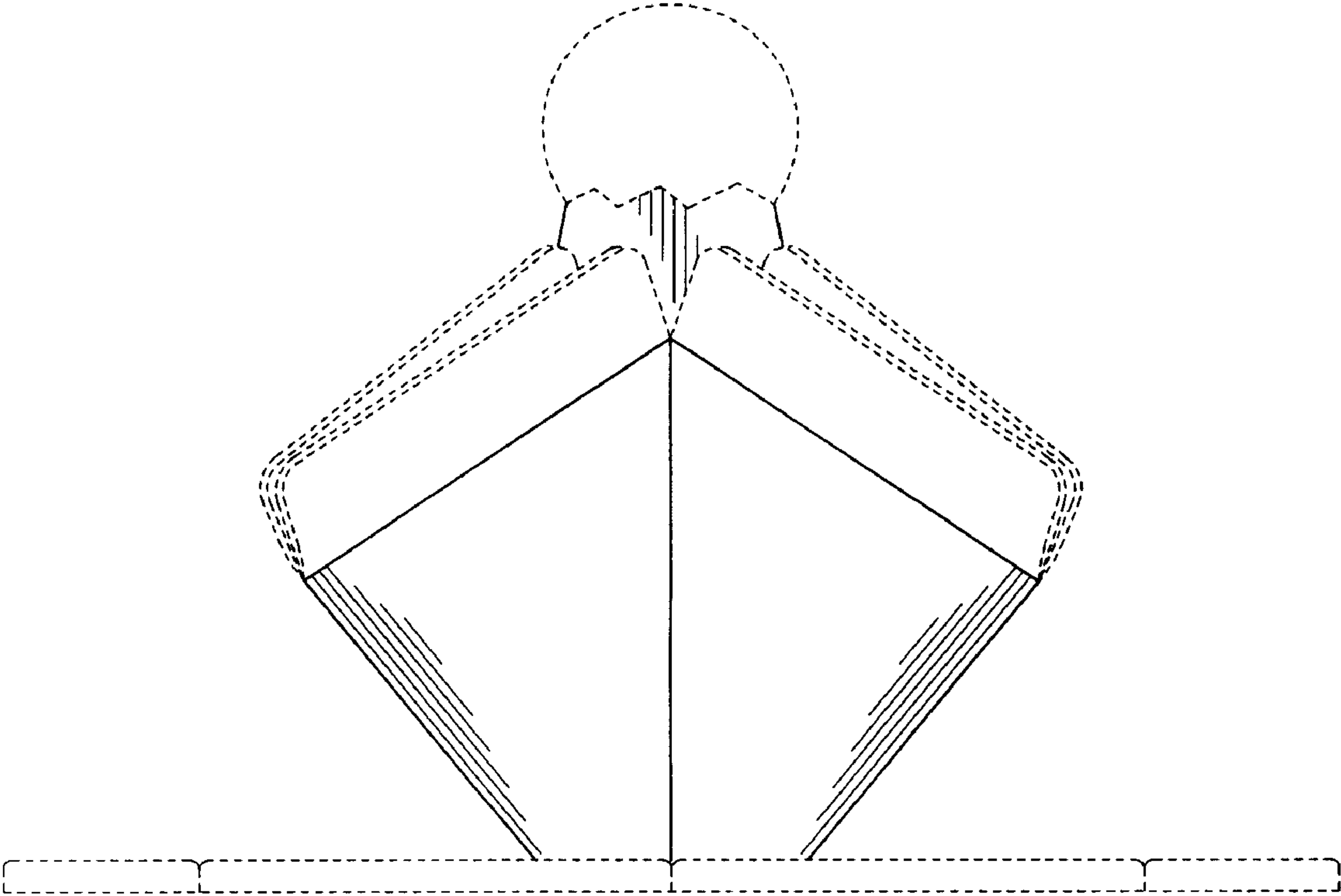


FIG. 8

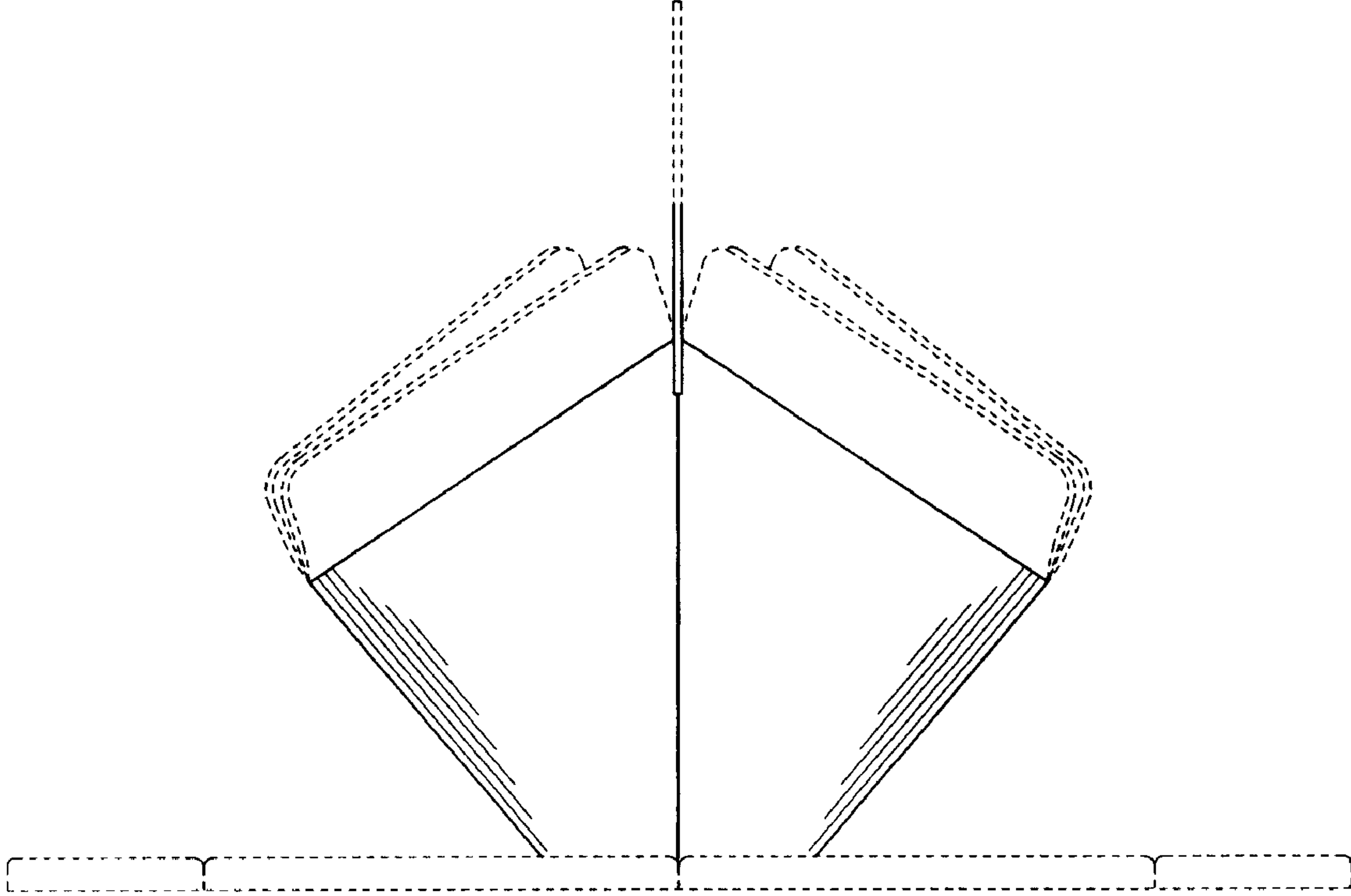


FIG. 9



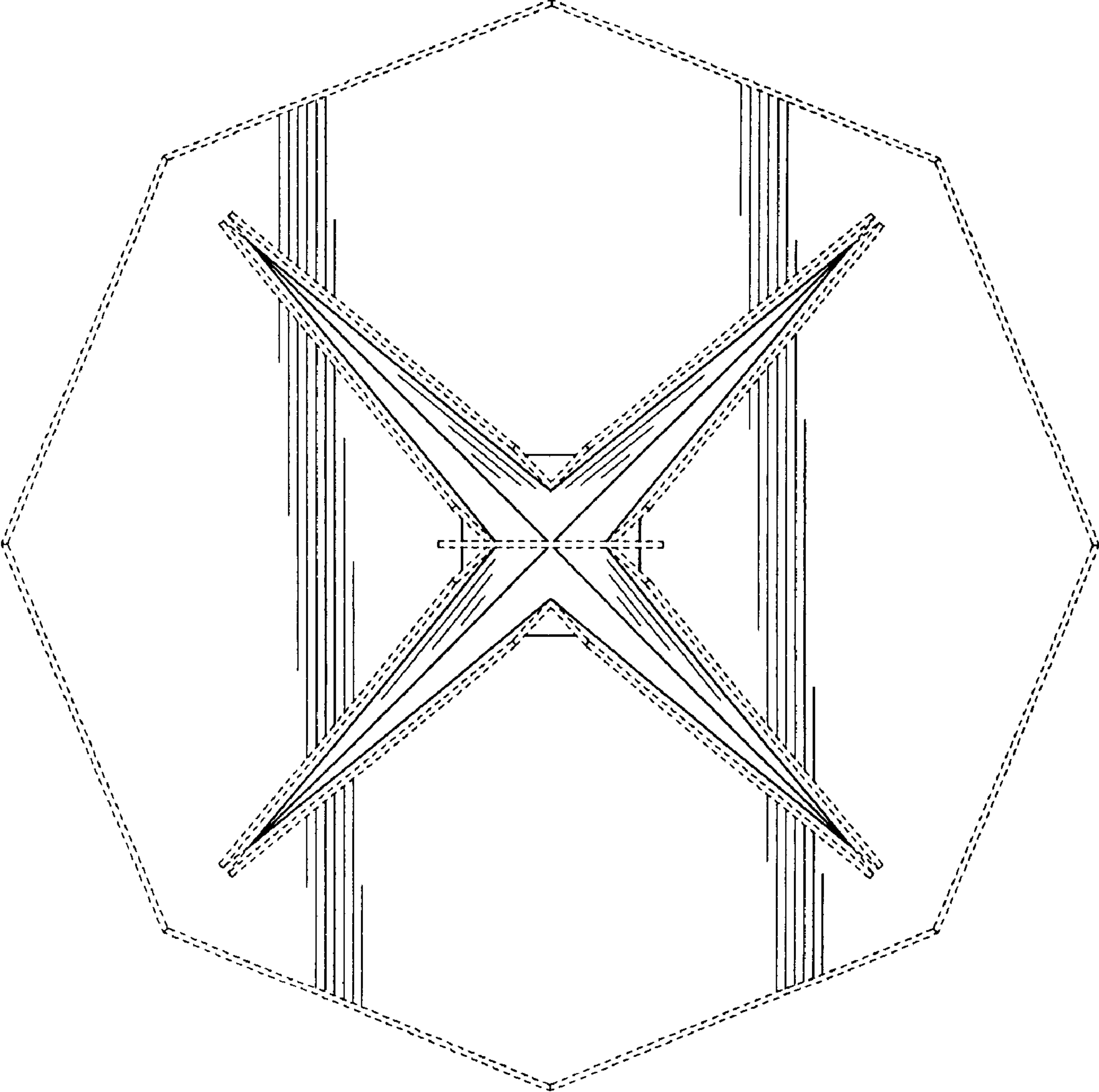


FIG.10