



(12) **United States Design Patent**  
**Easterbrook et al.**

(10) **Patent No.:** **US D606,393 S**  
(45) **Date of Patent:** **\*\* Dec. 22, 2009**

(54) **CONTAINER**

(75) Inventors: **Timothy John Easterbrook**, Wiltshire (GB); **Hubert Kaffl**, Fischbachau (DE); **Elisabeth Meyer**, Miesbach (DE); **Susan Tattersall**, Wiltshire (GB)

(73) Assignee: **The Secretary of State for Defence of Her Britannic Majesty's Government of the United Kingdom of Great Britain and Northern Ireland**, Wiltshire (GB)

(\*\*) Term: **14 Years**

(21) Appl. No.: **29/324,586**

(22) Filed: **Sep. 16, 2008**

(51) **LOC (9) Cl.** ..... **09-03**

(52) **U.S. Cl.** ..... **D9/423; D3/203.2**

(58) **Field of Classification Search** ..... D3/201, D3/203.1–203.2, 203.5–203.8, 273, 294–295; D9/414, 420–421, 430, 432; D27/186, 189, D27/191; 206/37–38, 440–441, 828  
See application file for complete search history.

(56) **References Cited**

**U.S. PATENT DOCUMENTS**

- D142,676 S \* 10/1945 Siegel ..... D27/191
- D180,490 S \* 6/1957 Lunan ..... D3/282
- 3,262,606 A \* 7/1966 Waterman ..... 222/480
- D226,742 S \* 4/1973 Dustin ..... D3/282
- D285,615 S \* 9/1986 Burger ..... D27/189
- D292,437 S \* 10/1987 Wind, III ..... D27/189
- 4,941,226 A \* 7/1990 Kemper ..... 15/185
- D448,295 S \* 9/2001 Mozes ..... D9/440
- D462,613 S \* 9/2002 Bried et al. .... D9/428
- D464,567 S \* 10/2002 Baerenwald et al. .... D9/432
- D466,408 S \* 12/2002 Baerenwald et al. .... D9/432
- D535,185 S \* 1/2007 Tanner ..... D9/422
- D535,186 S \* 1/2007 Tanner ..... D9/422
- D539,481 S \* 3/2007 Lui ..... D28/83

D560,911 S \* 2/2008 Hackbart et al. .... D3/273

\* cited by examiner

*Primary Examiner*—Philip S Hyder  
*Assistant Examiner*—Roselynn Cody  
(74) *Attorney, Agent, or Firm*—The Maxham Firm

(57) **CLAIM**

The ornamental design for a container, as shown and described.

**DESCRIPTION**

FIG. 1 is a top and bottom view of a first embodiment of the container according to the invention, showing the two hinged top and bottom elements in an open condition;

FIG. 2 is a plan view of the top element of the container in FIG. 1;

FIG. 3 is a perspective view of the container according to the invention, with the top hinged element partially open;

FIG. 4 is a perspective view of the container, fully closed;

FIG. 5 is a back elevation view of the container;

FIG. 6 is a side elevation view thereof, the opposite side being a mirror image thereof;

FIG. 7 is a bottom view thereof;

FIG. 8 is a front elevation view thereof;

FIG. 9 is a top and bottom view of a second embodiment of the container according to the invention, showing the two hinged top and bottom elements in an open condition;

FIG. 10 is a plan view of the top element of the container of FIG. 9;

FIG. 11 is a perspective view of the container of FIG. 9, fully closed;

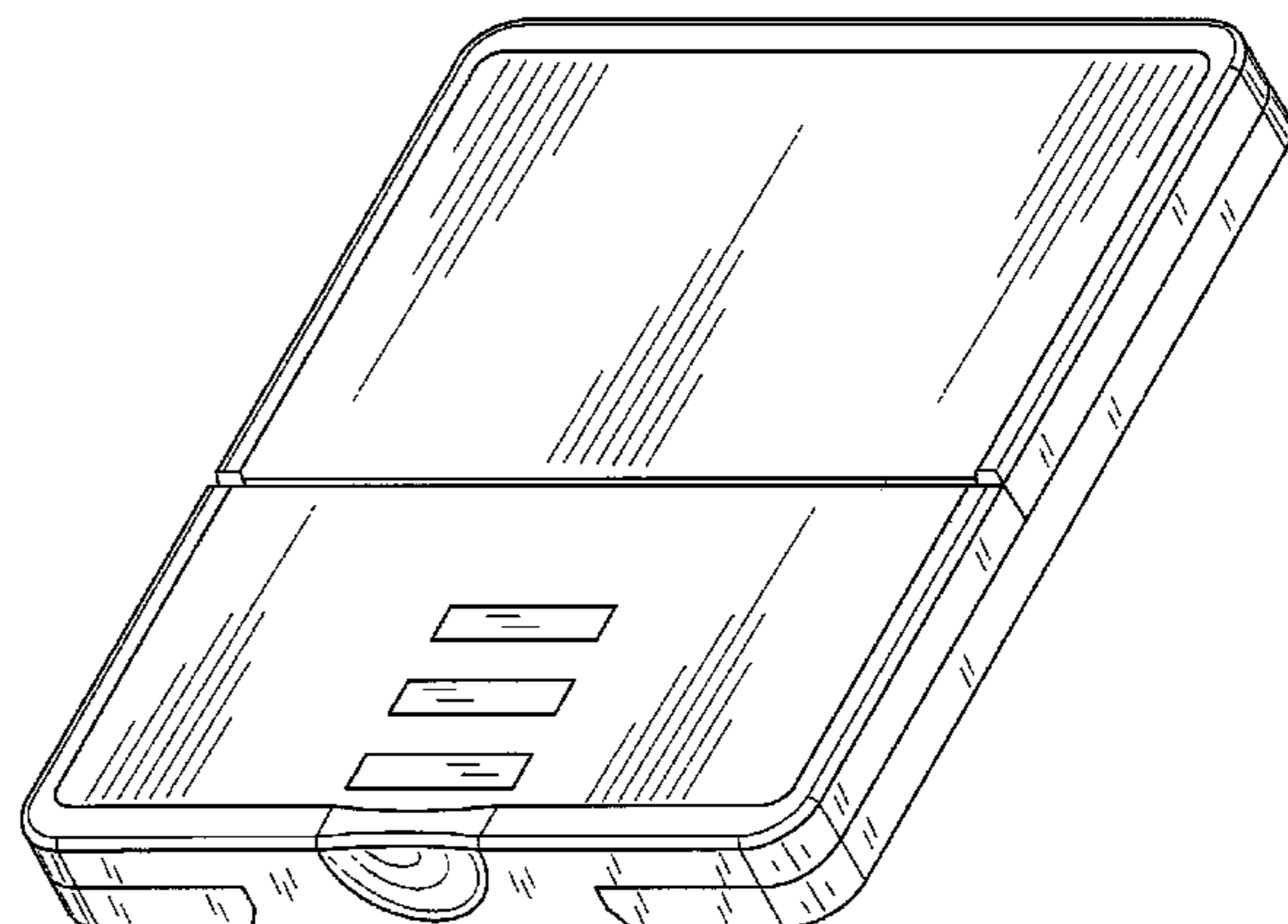
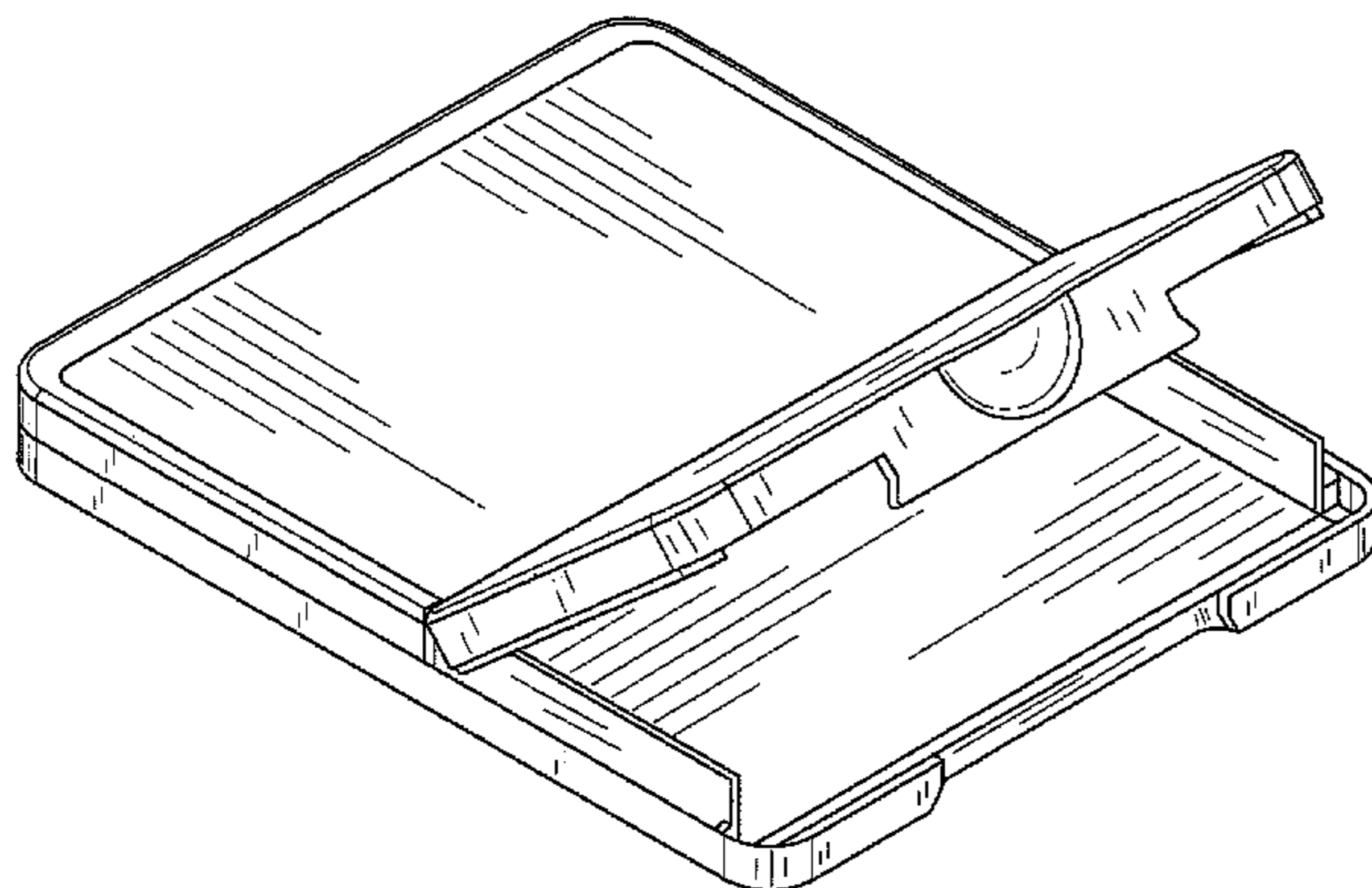
FIG. 12 is a back elevation of the container of FIG. 9;

FIG. 13 is a side elevation view of the FIG. 9 embodiment, the opposite side being a mirror image thereof;

FIG. 14 is a bottom view of the FIG. 9 embodiment; and,

FIG. 15 is a front elevation of the FIG. 9 embodiment.

**1 Claim, 15 Drawing Sheets**



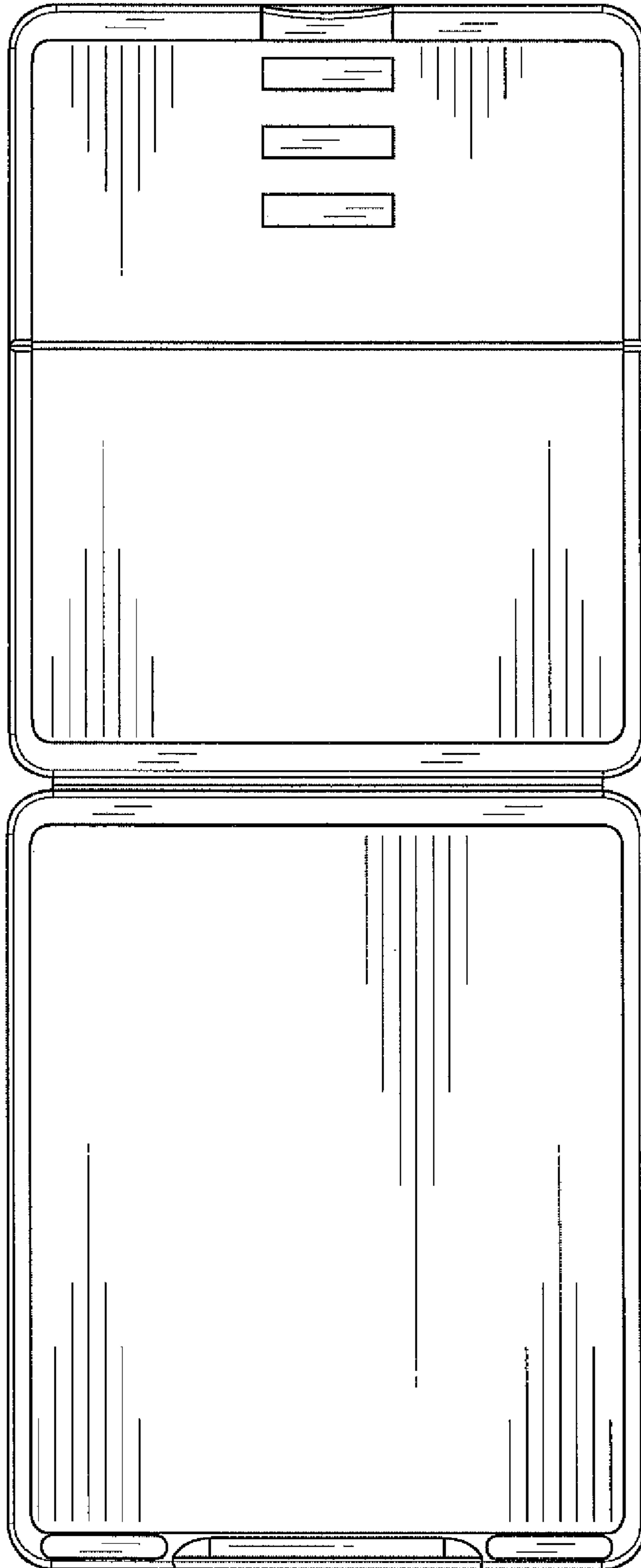


FIG. 1

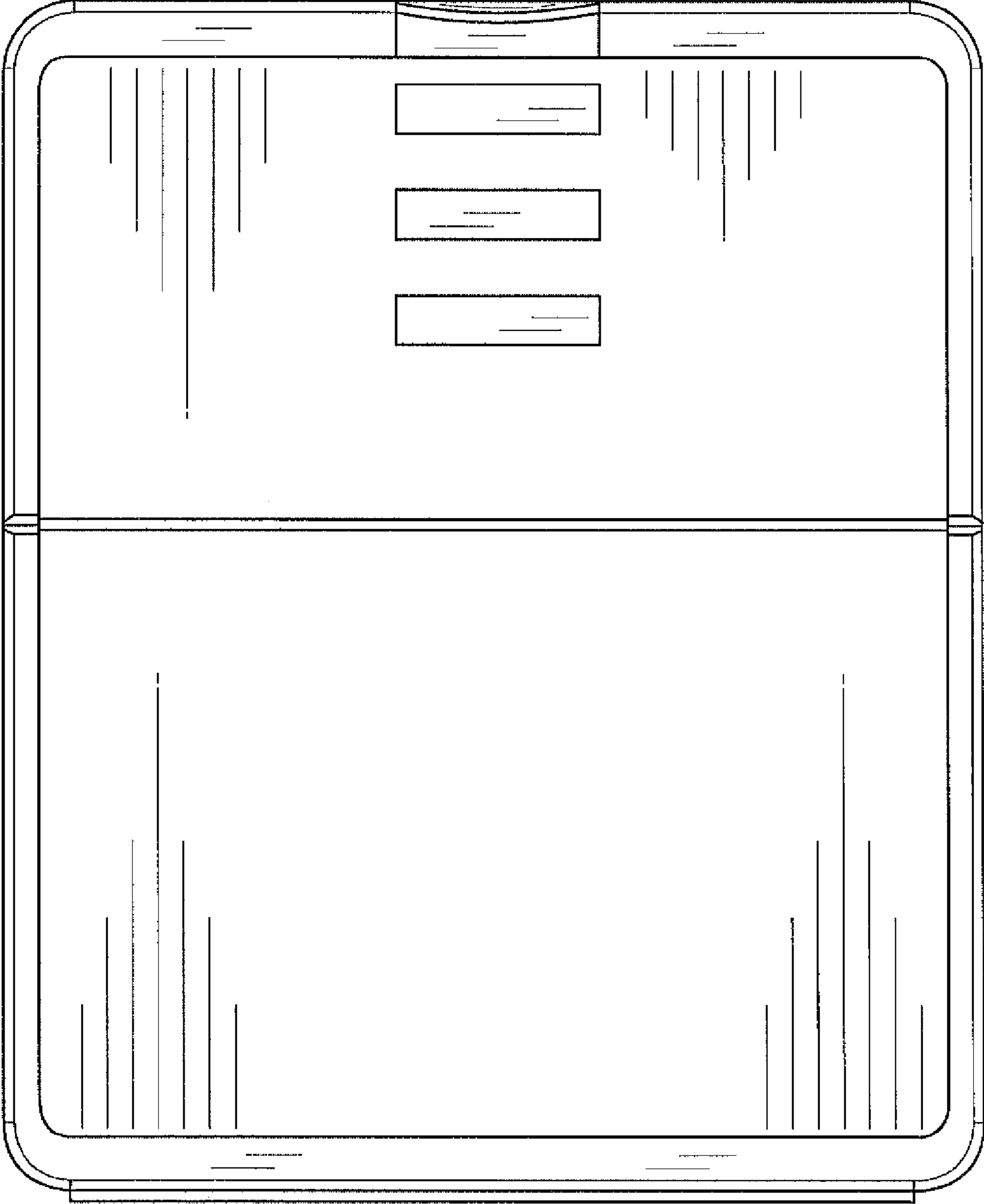


FIG. 2

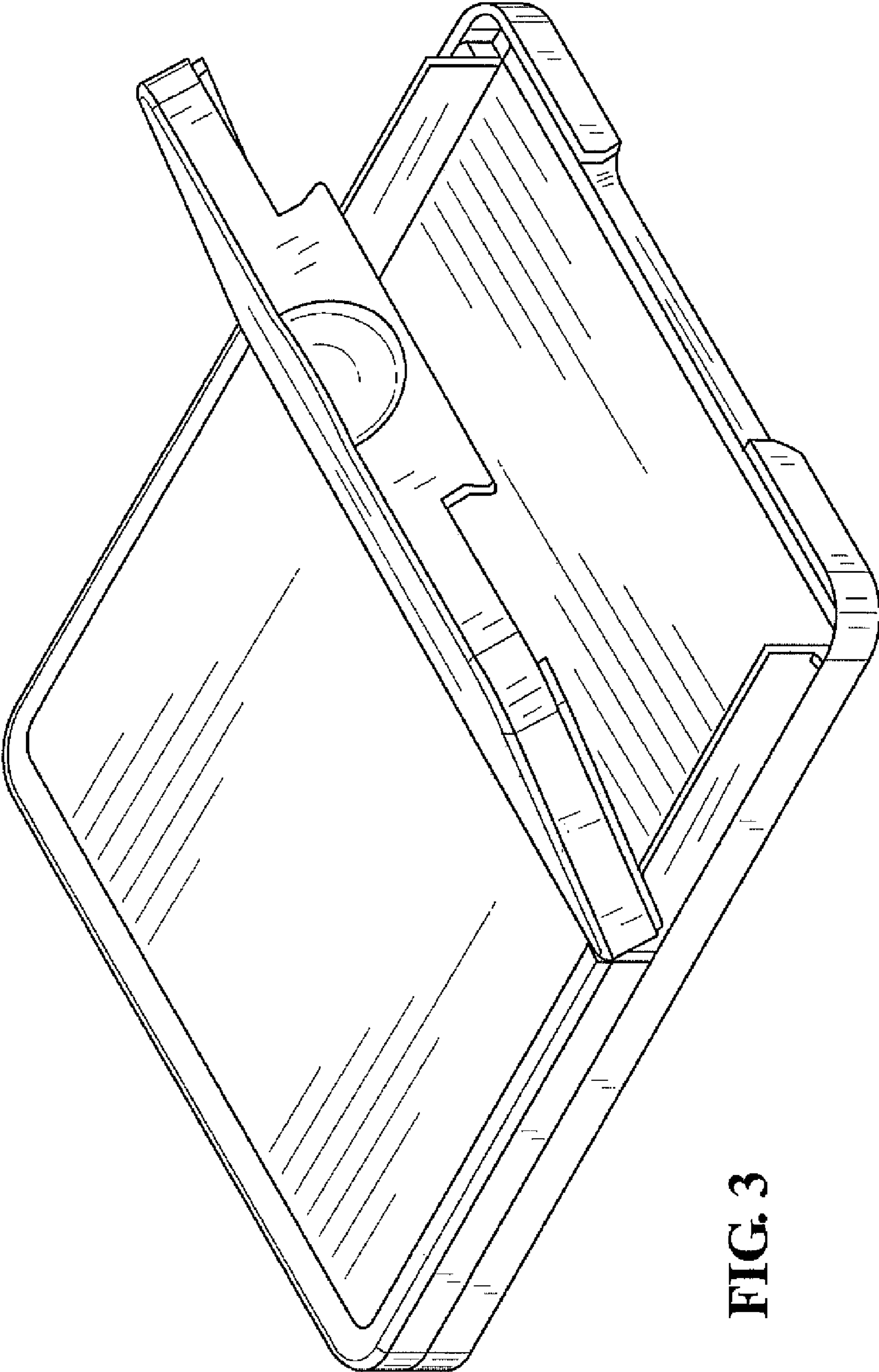


FIG. 3



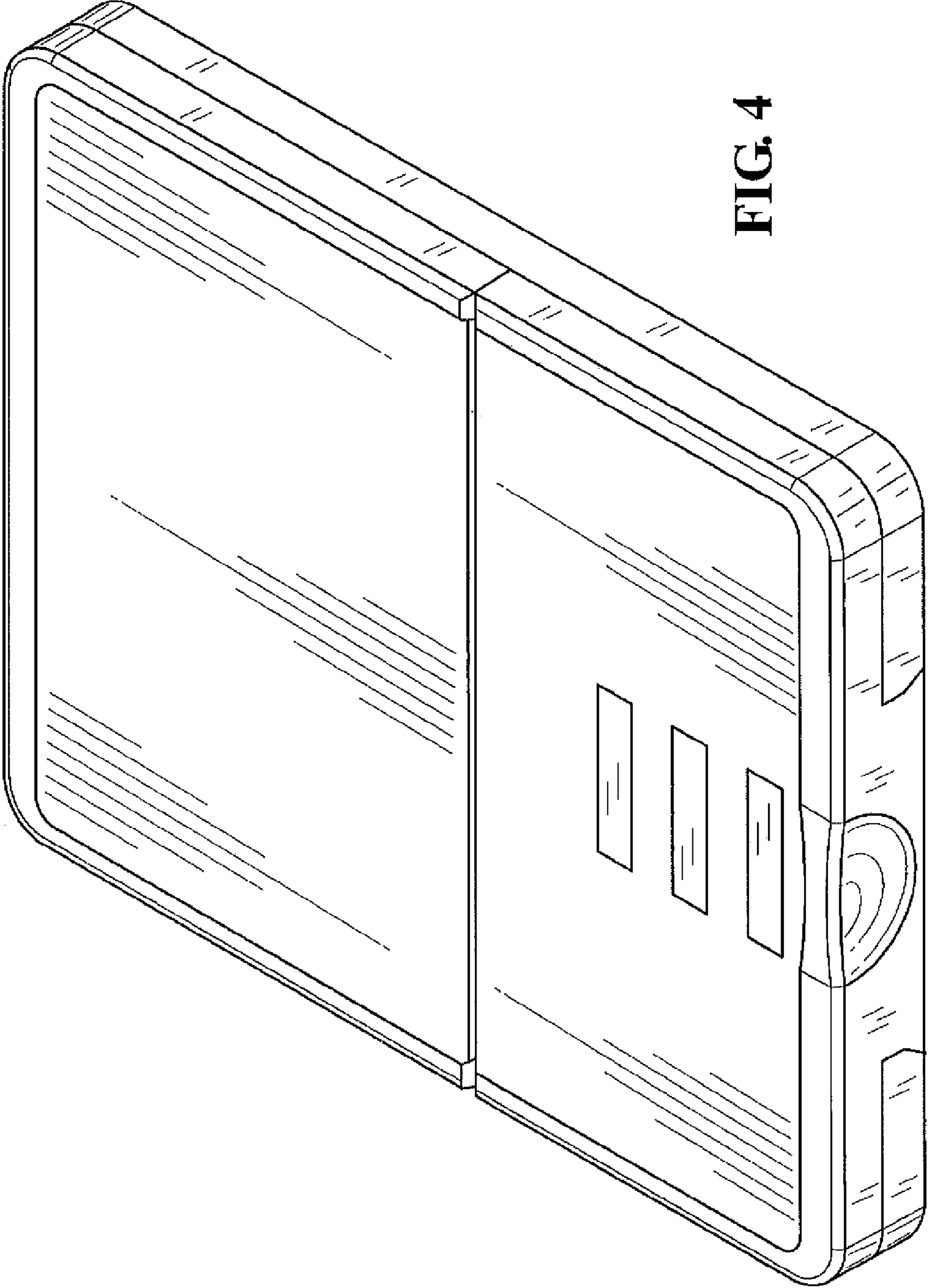
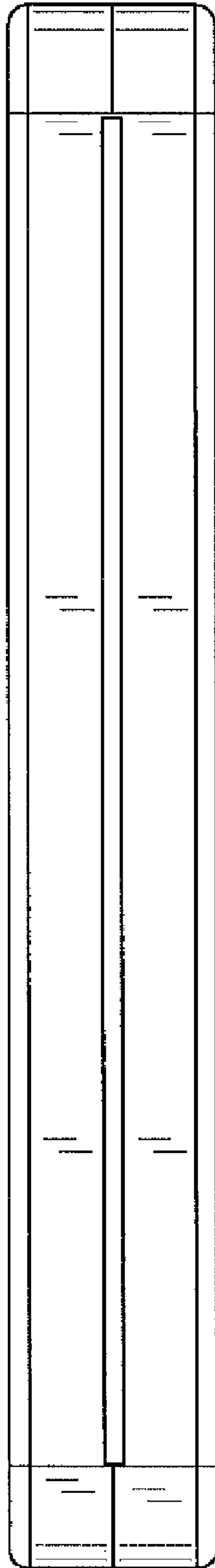
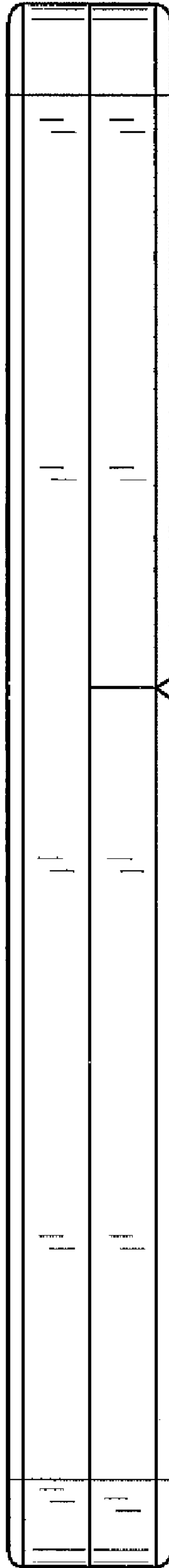


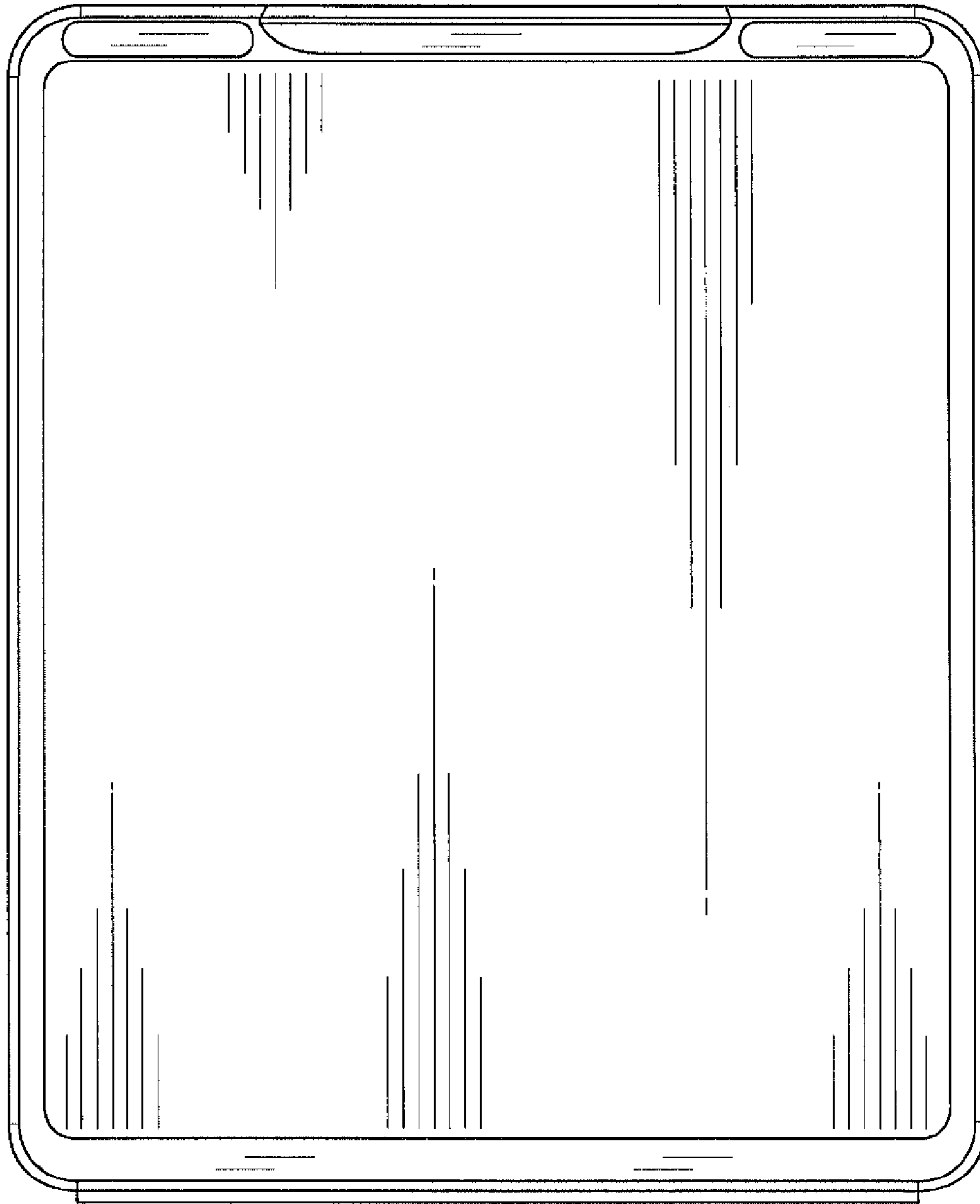
FIG. 4



**FIG. 5**



**FIG. 6**



**FIG. 7**



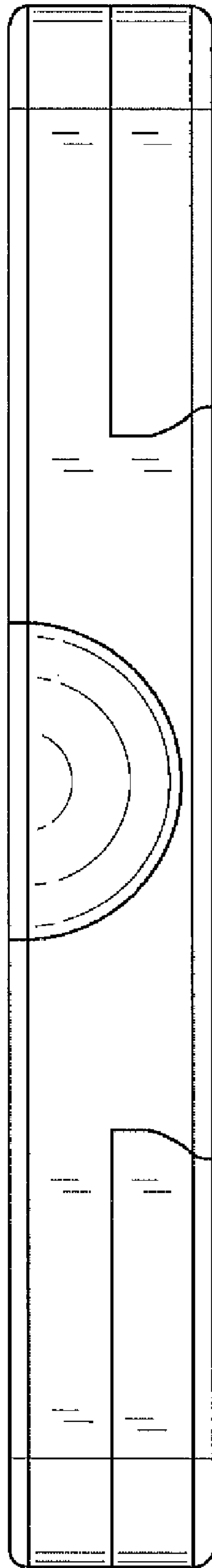


FIG. 8

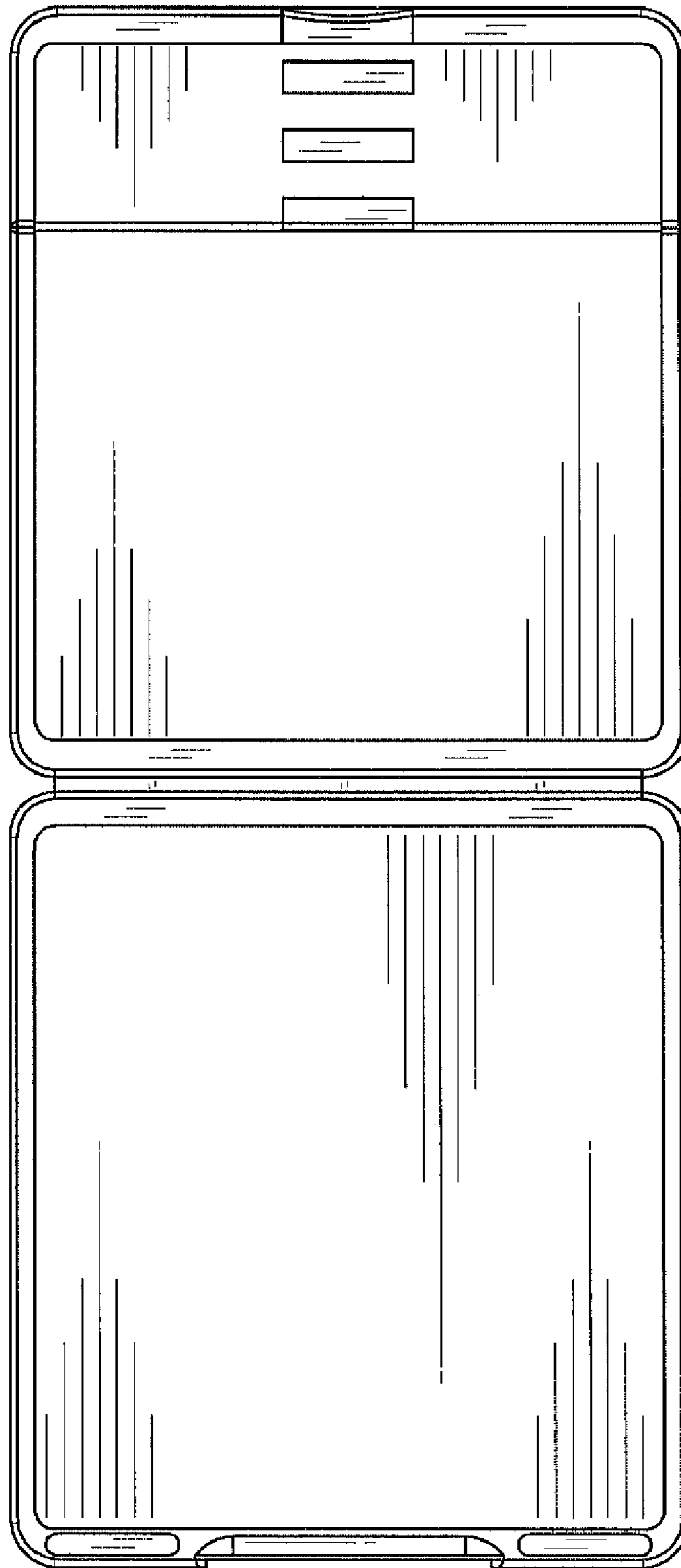


FIG. 9

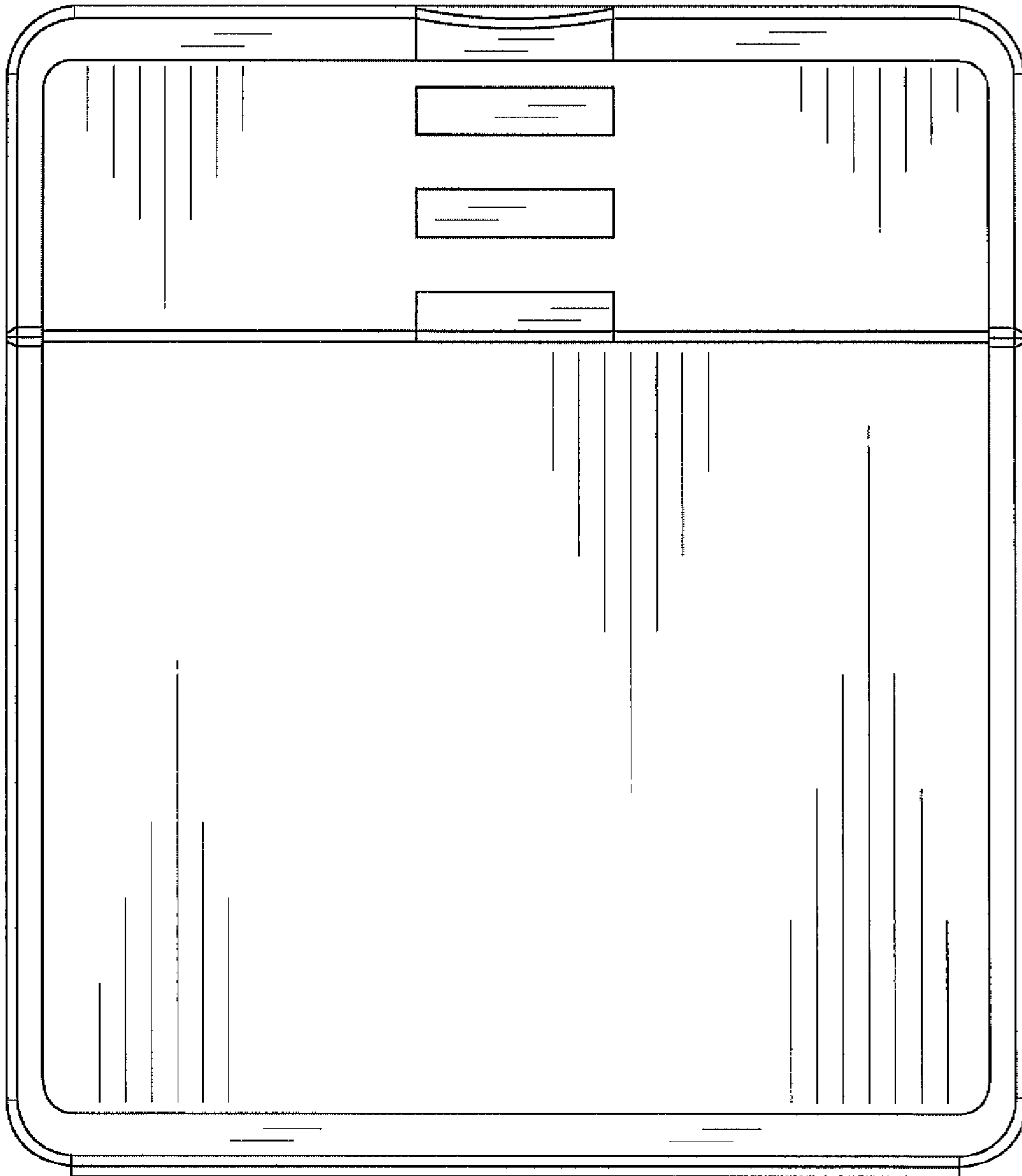


FIG. 10

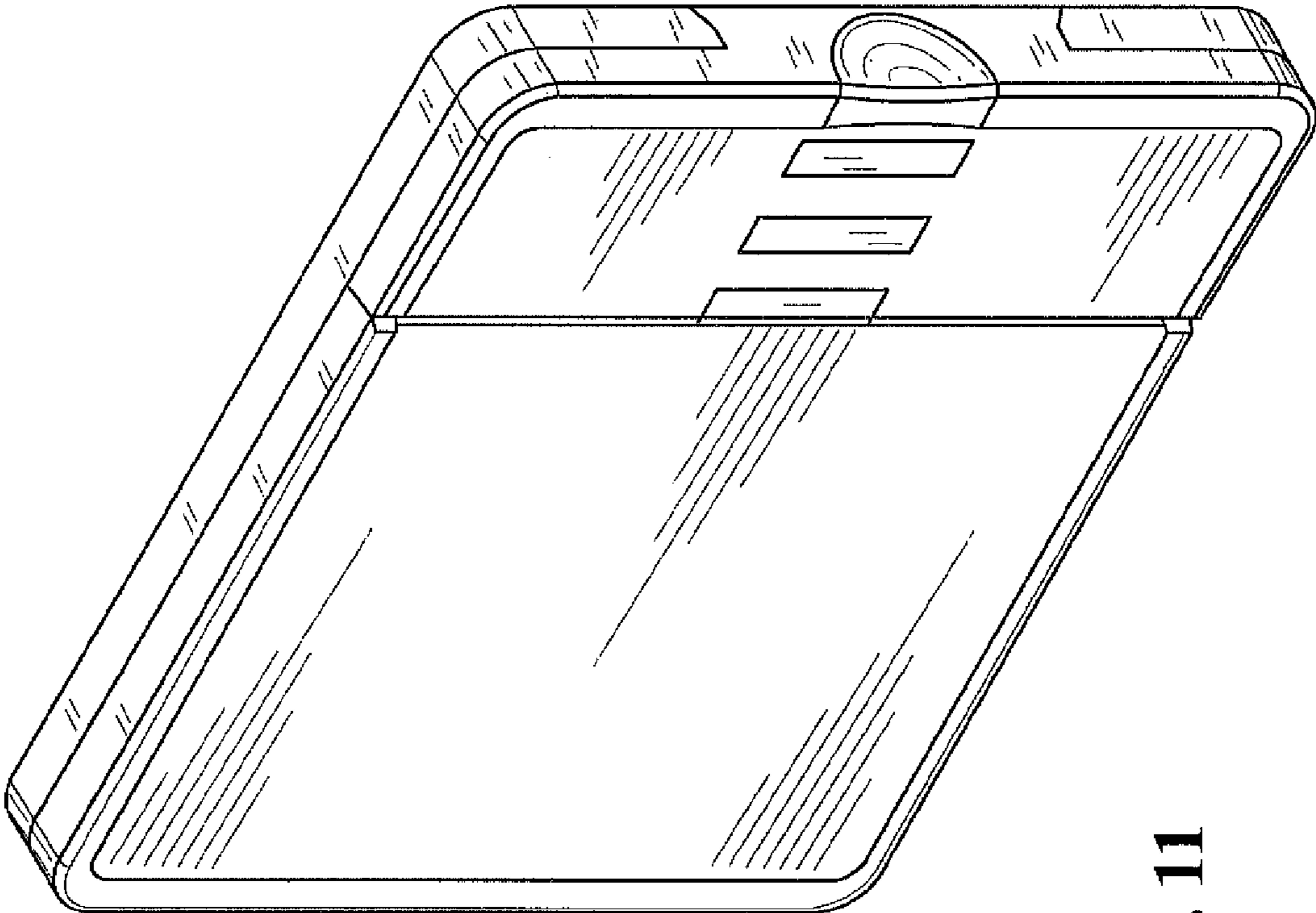
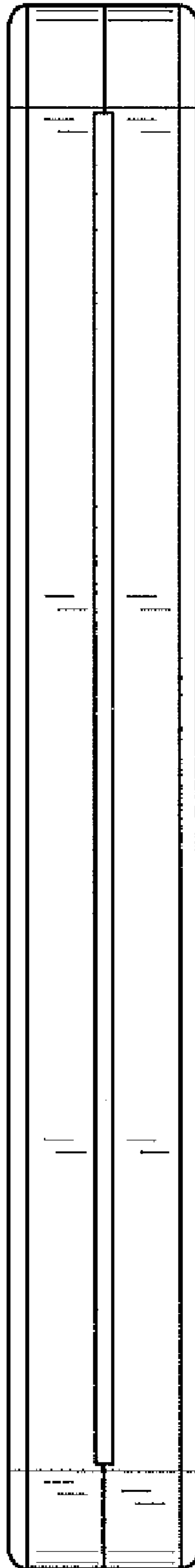
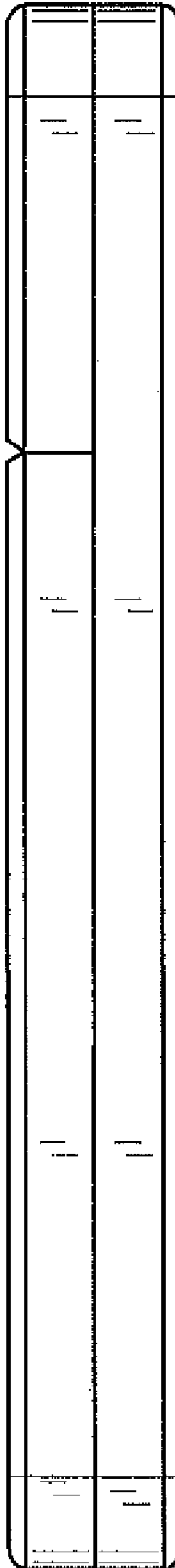


FIG. 11



**FIG. 12**



**FIG. 13**



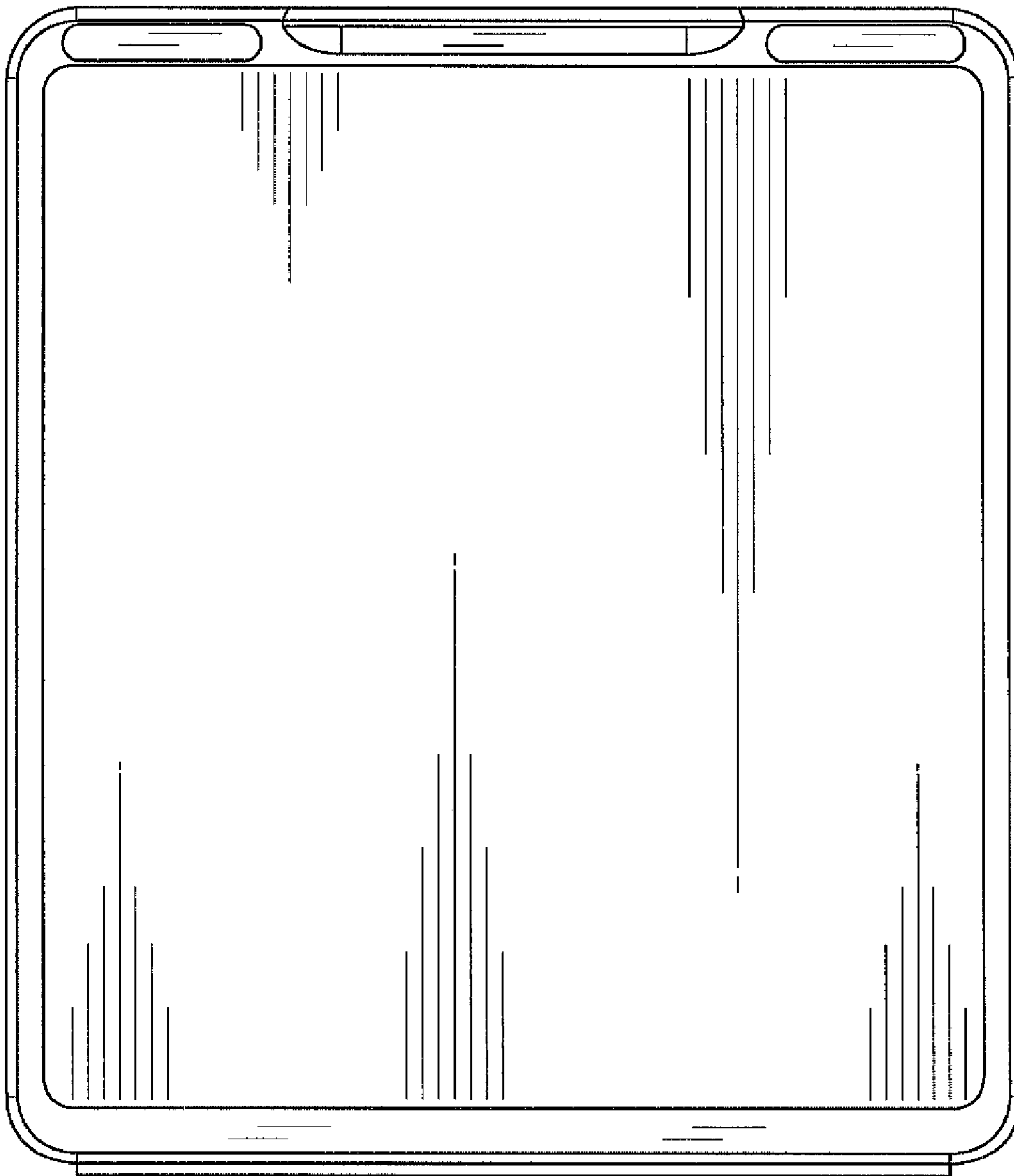
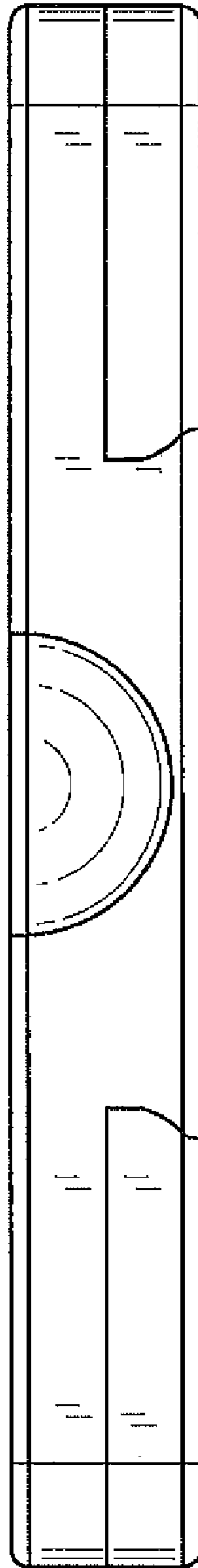


FIG. 14



**FIG. 15**