



US00D606392S

(12) **United States Design Patent**
Prevost

(10) **Patent No.:** **US D606,392 S**

(45) **Date of Patent:** **** Dec. 22, 2009**

(54) **CLAMSHELL PACKAGE**

(76) **Inventor:** **Pierre Marcel Prevost**, 2104-6659
Southoaks Cr., Burnaby, BC (CA) V5E
4M9

(**) **Term:** **14 Years**

(21) **Appl. No.:** **29/317,896**

(22) **Filed:** **May 8, 2008**

(51) **LOC (9) Cl.** **09-03**

(52) **U.S. Cl.** **D9/415; D9/418; D9/425**

(58) **Field of Classification Search** D9/414-416,
D9/418-420, 423-428, 430-432, 434; D7/354,
D7/396.1, 392.1, 394, 538, 543-545, 550.1,
D7/551, 554.3, 587, 566, 584, 586, 629, 667;
220/4.22-4.24, 574, 604-608, 659, 675,
220/781-782, 793, 835, 839, DIG. 14; 206/119,
206/464, 470, 508, 545, 806; 229/406; 219/725,
219/735; D23/355-366; D3/302, 314
See application file for complete search history.

(56) **References Cited**

U.S. PATENT DOCUMENTS

3,391,783	A *	7/1968	Gantz	206/464
D222,582	S *	11/1971	Petrie	D9/415
4,687,129	A *	8/1987	Cugley	220/315
D331,361	S *	12/1992	Langolf	D9/415
D338,619	S *	8/1993	Mylander et al.	D9/415
5,775,516	A *	7/1998	McCumber et al.	206/470

D411,448	S *	6/1999	Baker	D9/415
D428,331	S *	7/2000	MacTavish	D9/415
D429,462	S *	8/2000	Kumakura et al.	D9/415
D478,002	S *	8/2003	Lin	D9/415
D524,642	S *	7/2006	Suckle et al.	D9/415
D569,243	S *	5/2008	Kidd et al.	D9/425
D579,326	S *	10/2008	Chen	D9/427

* cited by examiner

Primary Examiner—Philip S Hyder

Assistant Examiner—Susan E Krakower

(74) *Attorney, Agent, or Firm*—C. Larry Kyle; Nexus Law Group LLP

(57) **CLAIM**

The ornamental design for a clamshell package, as shown and described.

DESCRIPTION

FIG. 1 is a front perspective view of my clamshell package in the closed position taken from the top left;

FIG. 2 is a rear perspective view thereof in a partially open position taken from the bottom right;

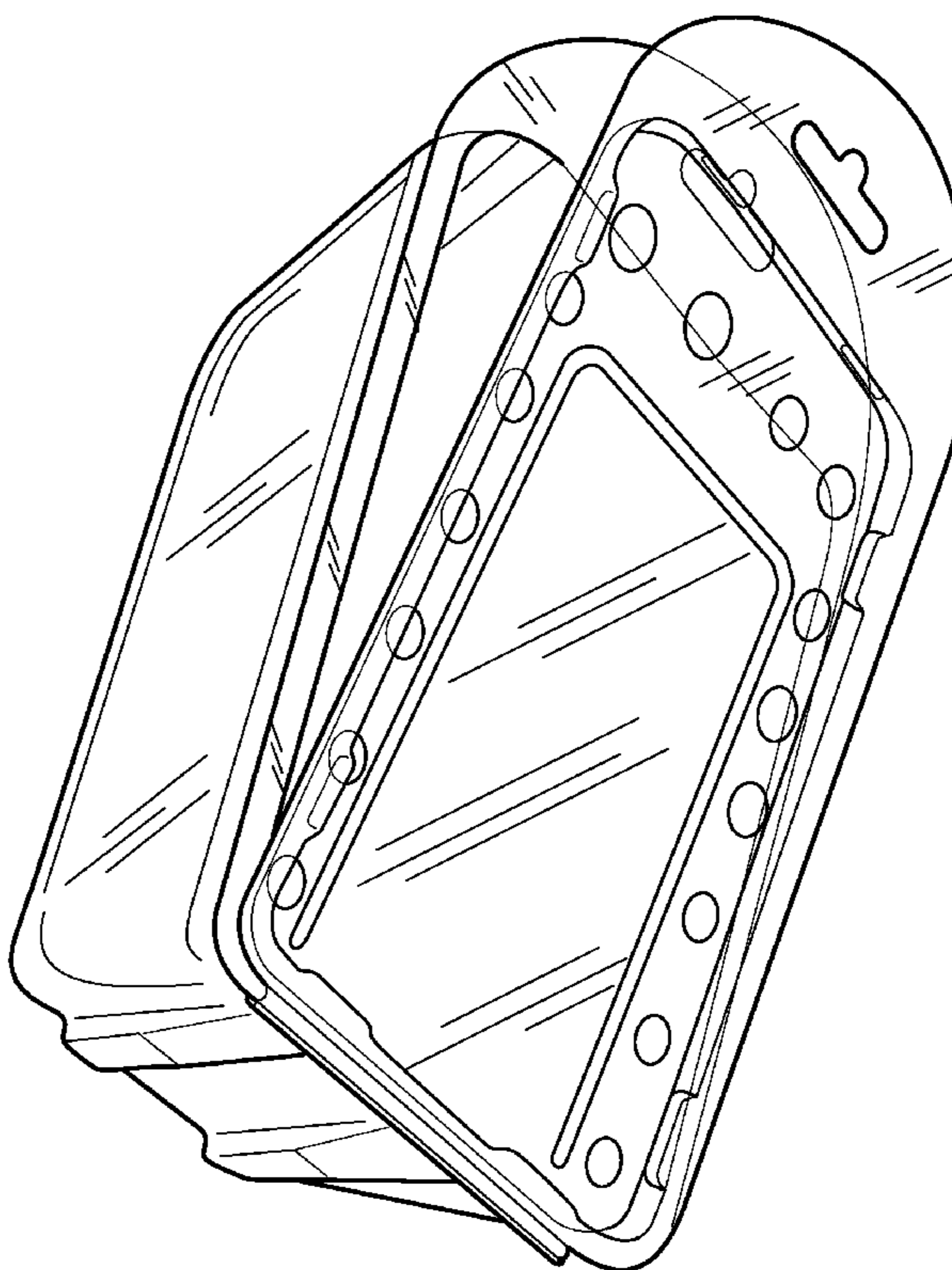
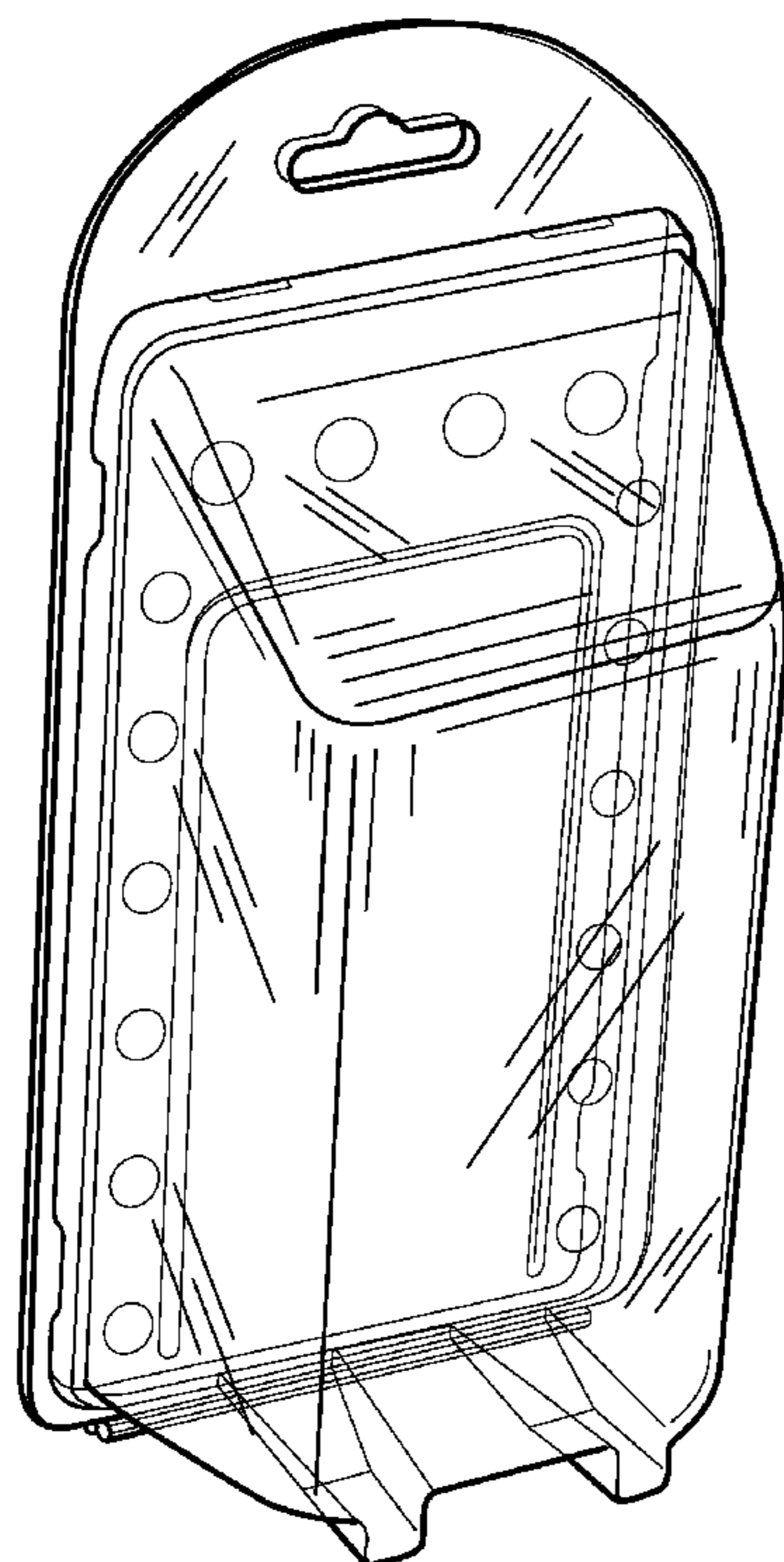
FIG. 3 is a front view thereof;

FIG. 4 is a left side view thereof, the right side being the mirror image thereof;

FIG. 5 is a top view thereof; and,

FIG. 6 is a bottom view thereof.

1 Claim, 6 Drawing Sheets



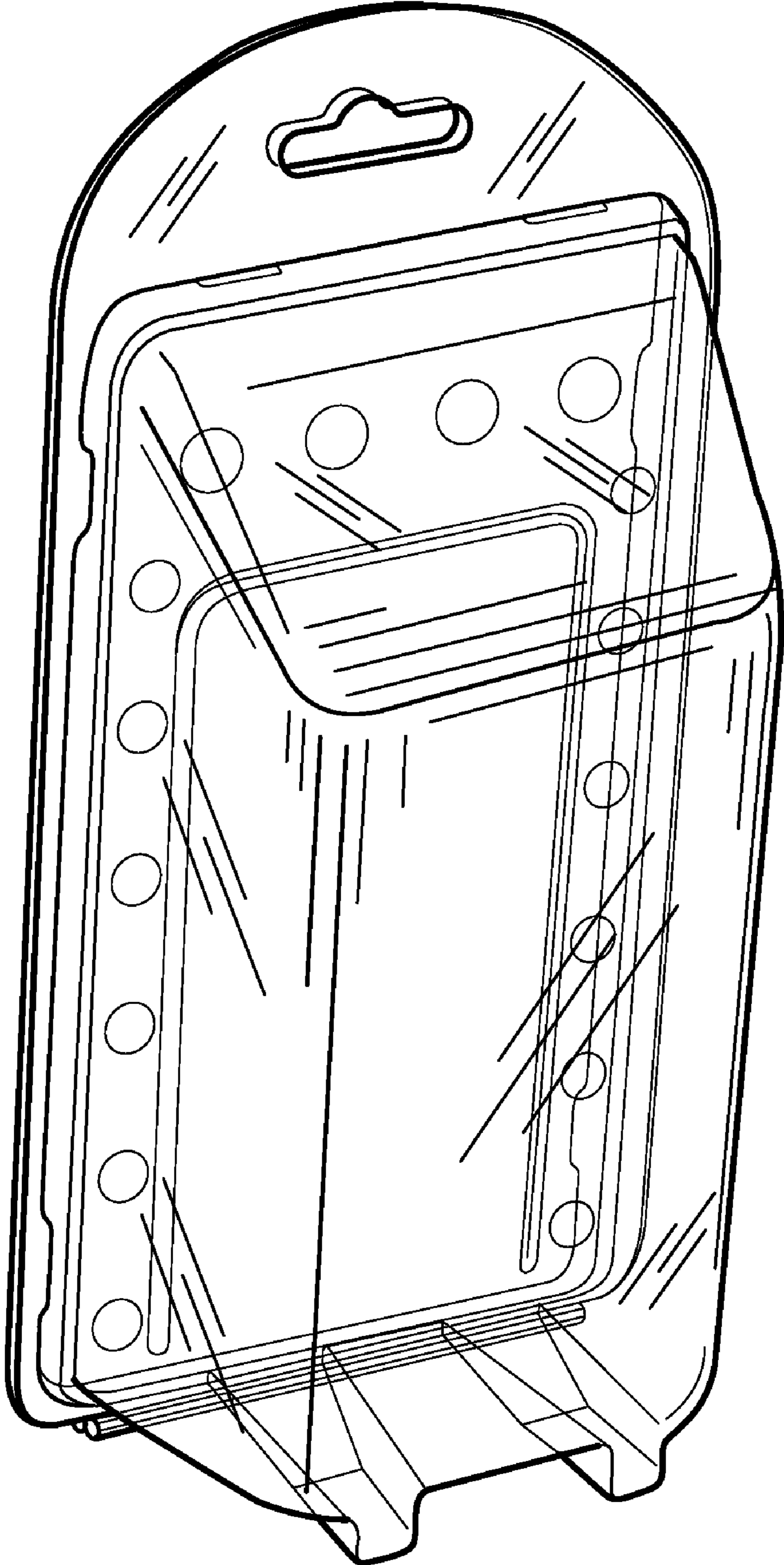


Fig.1

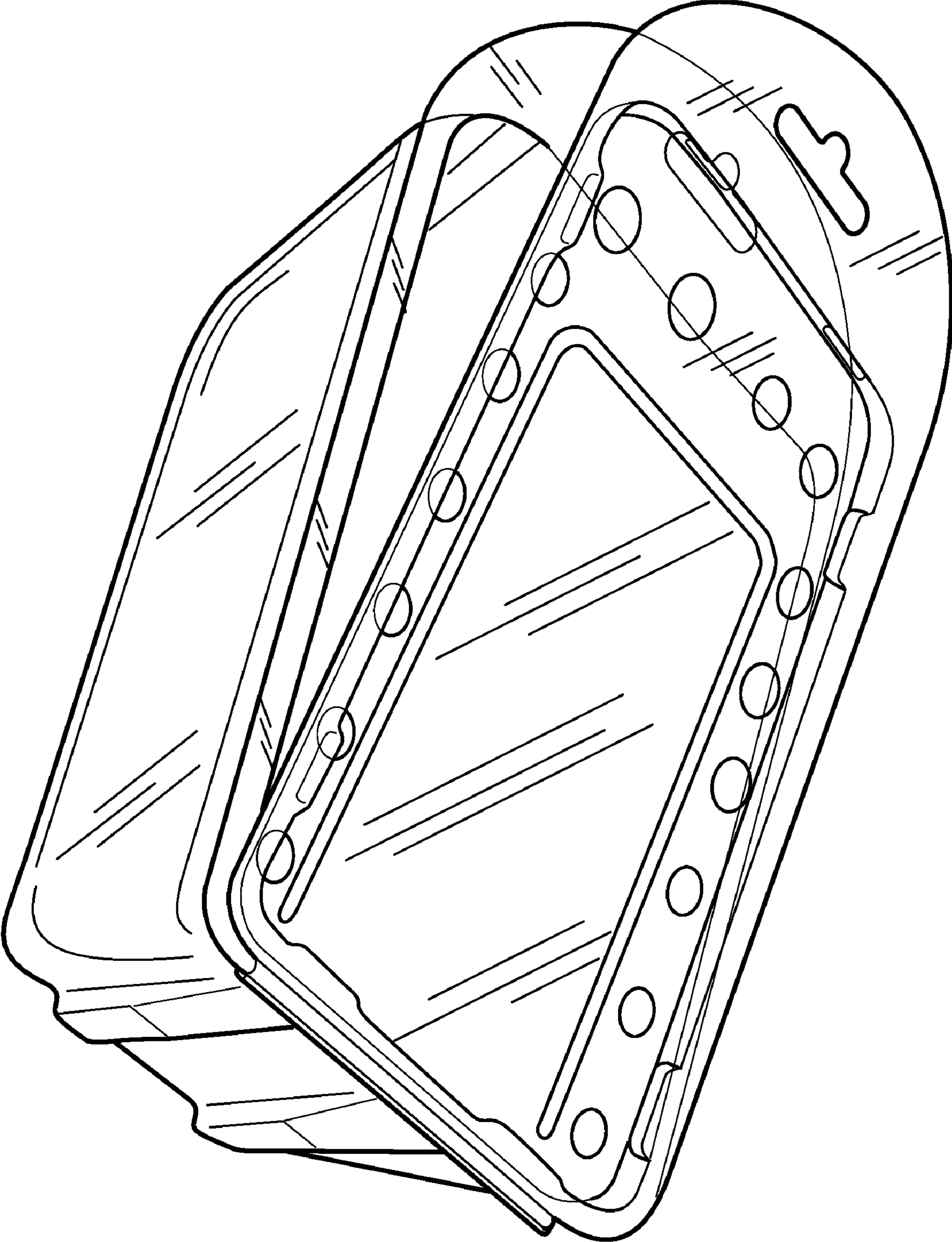


Fig.2

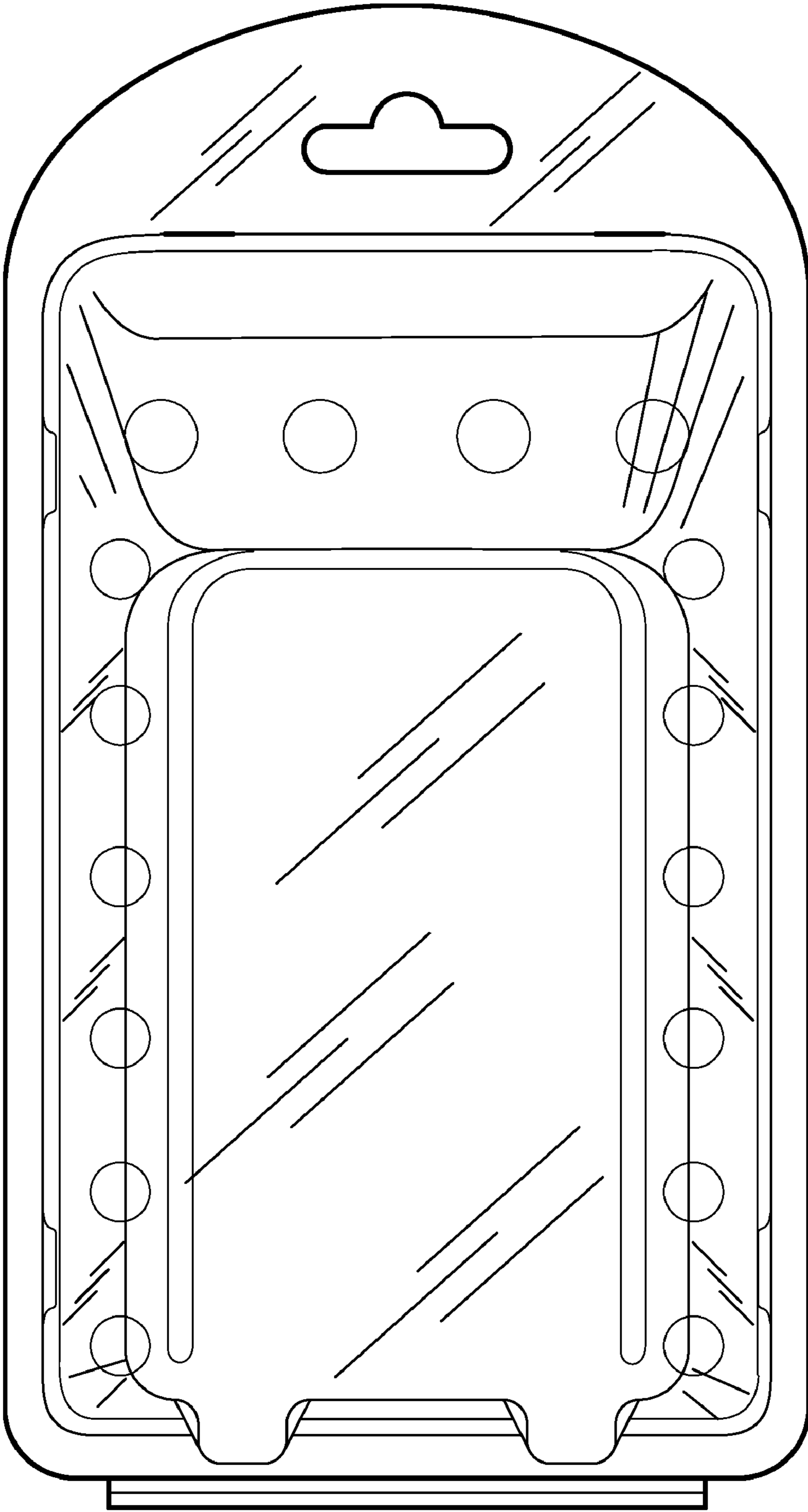


Fig.3

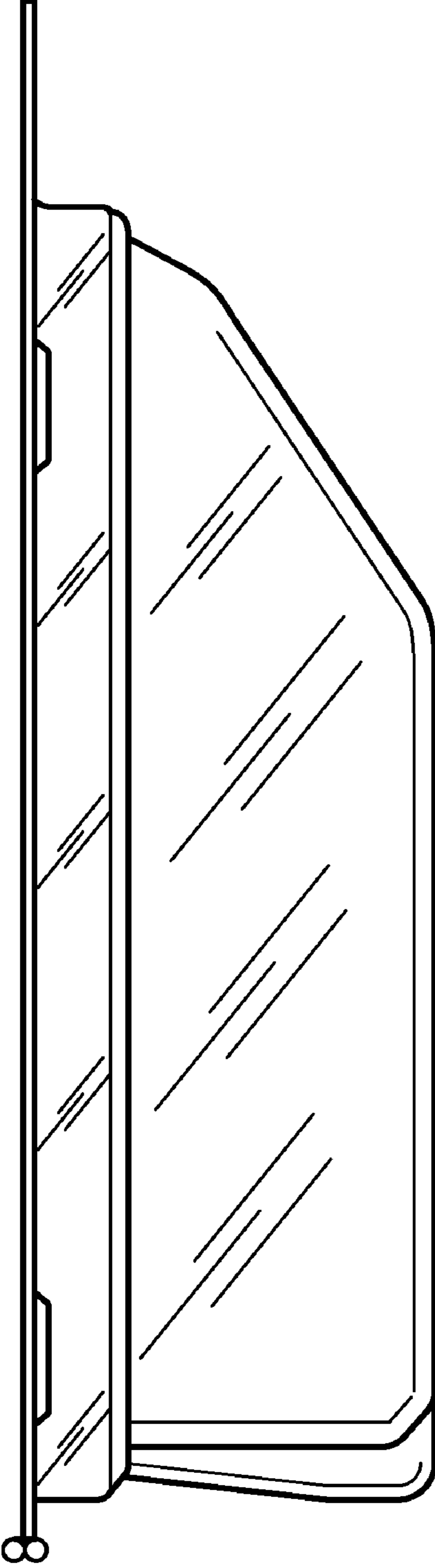


Fig.4

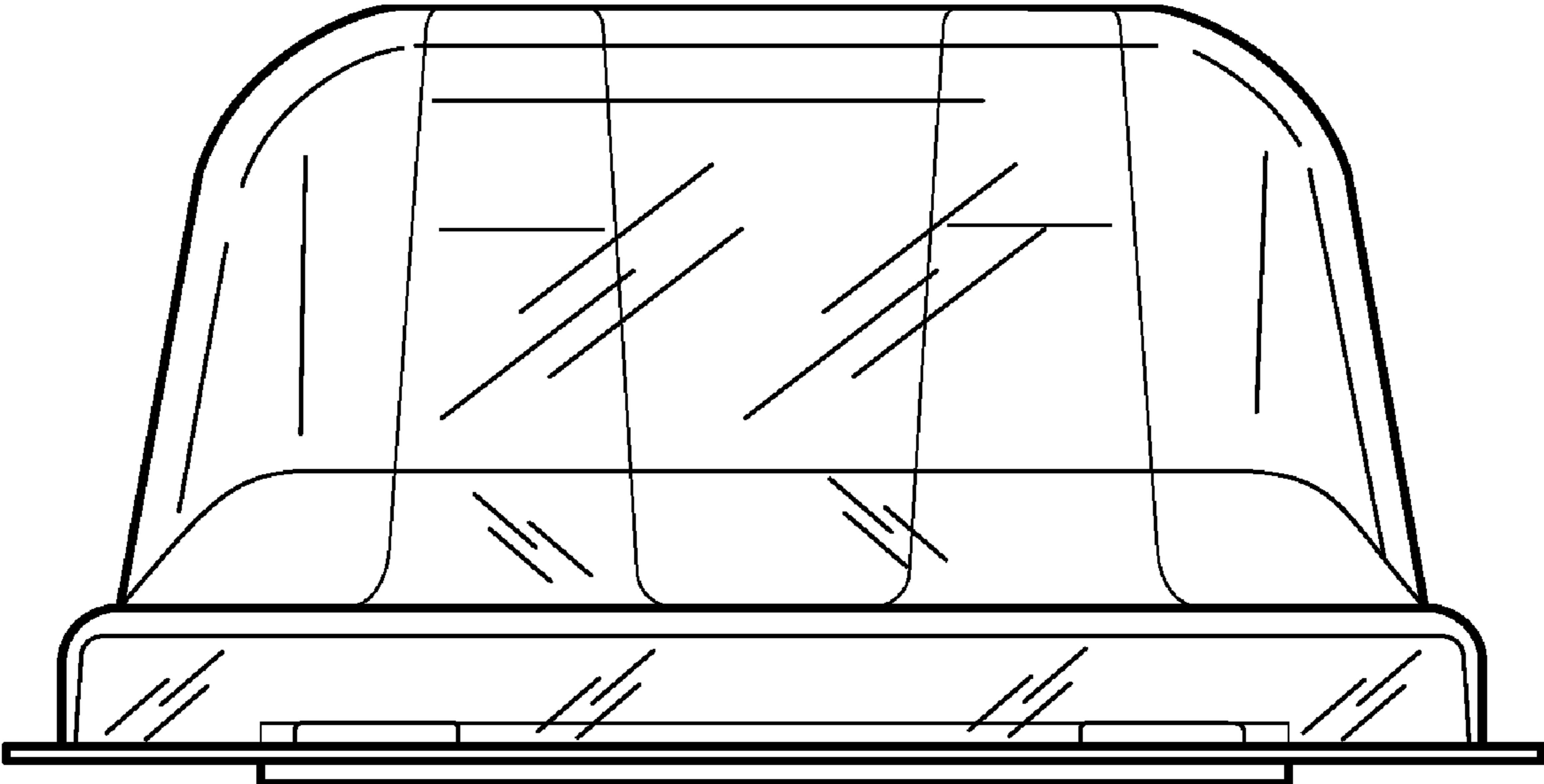


Fig.5

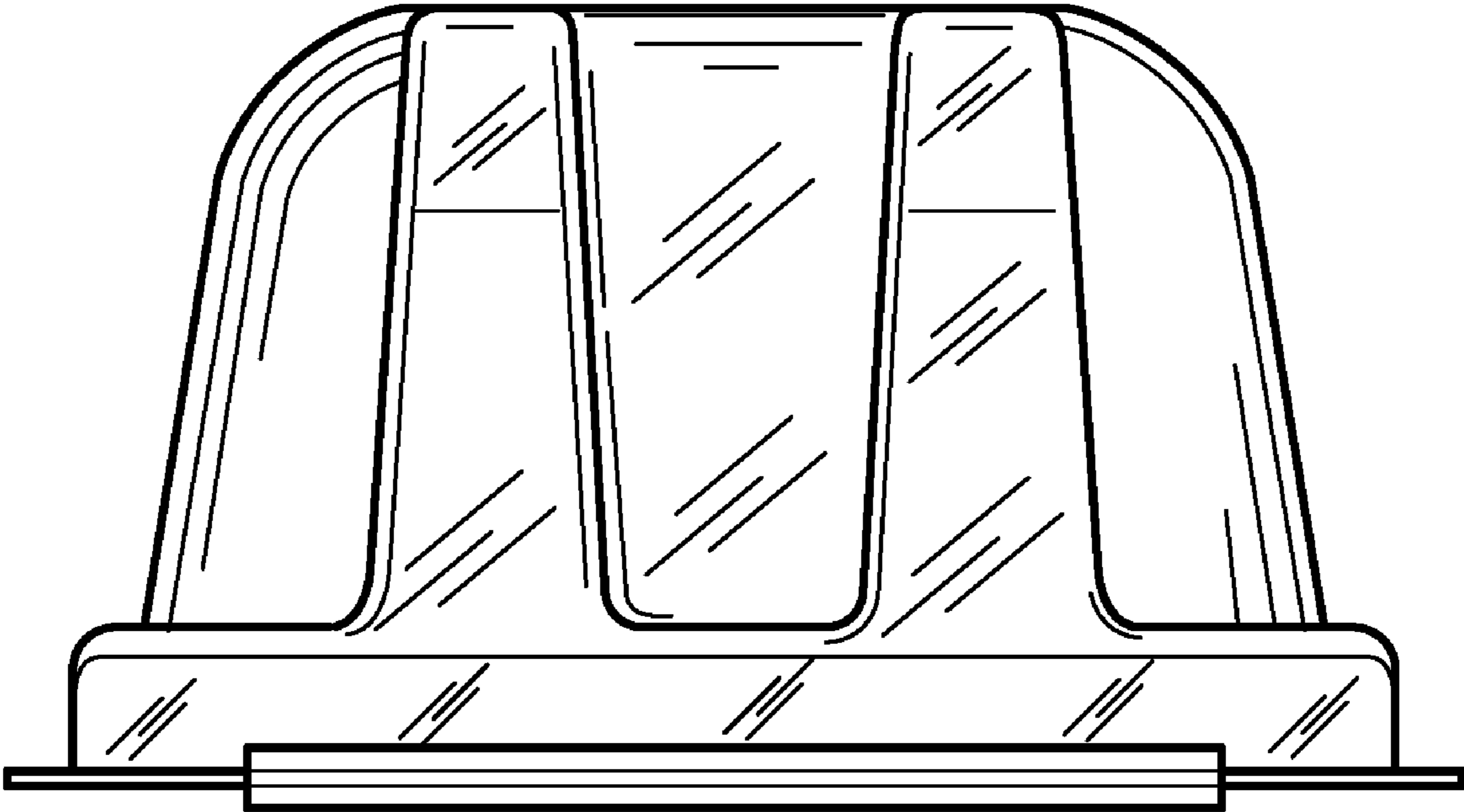


Fig. 6