



US00D606391S

(12) **United States Design Patent**
Hughes

(10) **Patent No.:** **US D606,391 S**

(45) **Date of Patent:** **** *Dec. 22, 2009**

(54) **BAR CLAMP EXTENSION FIXTURE**

(75) Inventor: **David A. Hughes**, Atlanta, GA (US)

(73) Assignee: **BESSEY Tool GmbH & Co. KG**,
Bietigheim-Bissingen (DE)

(*) Notice: This patent is subject to a terminal disclaimer.

(**) Term: **14 Years**

(21) Appl. No.: **29/289,777**

(22) Filed: **Jul. 30, 2007**

Related U.S. Application Data

(63) Continuation-in-part of application No. 11/305,432, filed on Dec. 14, 2005, now Pat. No. 7,441,761.

(51) **LOC (9) Cl.** **08-08**

(52) **U.S. Cl.** **D8/394; D8/72**

(58) **Field of Classification Search** D8/394-396, D8/72, 382; D19/56, 65; D32/60-64; D28/40; 24/67.3; 269/6, 147, 149; D25/119, 121, D25/122, 123; 52/577; 33/428; D99/29
See application file for complete search history.

(56) **References Cited**

U.S. PATENT DOCUMENTS

1,272,259 A	7/1918	Herold	
1,354,378 A	9/1920	Carpenter	
1,583,611 A	5/1926	Seely	
2,642,018 A *	6/1953	Weeber	52/277
3,172,158 A	3/1965	George et al.	

3,286,425 A *	11/1966	Brown	D25/122
D230,115 S *	1/1974	Beams	D8/394
D236,715 S *	9/1975	Patterson	D25/121
D269,911 S *	7/1983	Lucous	D25/121
D277,934 S *	3/1985	Beckrot	D8/395
D299,869 S *	2/1989	Green	D25/123
D300,063 S *	2/1989	Sheltra	D25/121
4,864,734 A *	9/1989	Woodard et al.	33/428
D308,472 S *	6/1990	Goetz	D8/382
D443,125 S *	5/2001	Adams	D99/29
D471,646 S *	3/2003	Westphal et al.	D25/122
6,530,565 B1	3/2003	Simpson	
D479,797 S *	9/2003	Wall	D8/382
2007/0057424 A1	3/2007	Kern	
2007/0090580 A1	4/2007	Fratianne	
2007/0114708 A1	5/2007	Springer	

* cited by examiner

Primary Examiner—T. Chase Nelson

Assistant Examiner—David G Muller

(74) *Attorney, Agent, or Firm*—Lipsitz & McAllister, LLC

(57) **CLAIM**

The ornamental design for a bar clamp extension fixture, as shown and described.

DESCRIPTION

FIG. 1 is a front, top and right side perspective view of the bar clamp extension fixture showing my new design;

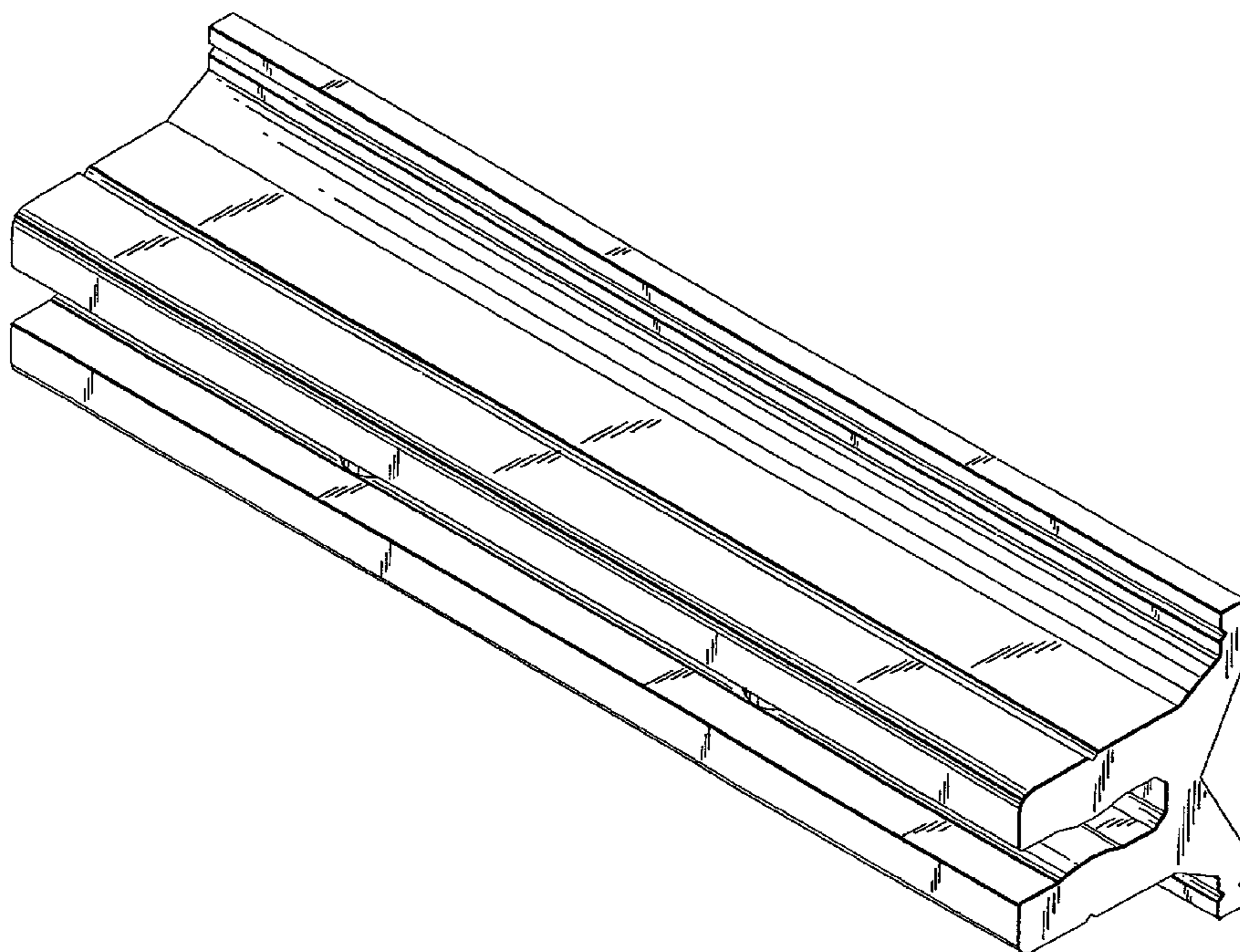
FIG. 2 is a front elevational view of the design;

FIG. 3 is a top plan view of the design;

FIG. 4 is a right side elevational view of the design; and,

FIG. 5 is a rear elevational view of the design.

1 Claim, 3 Drawing Sheets



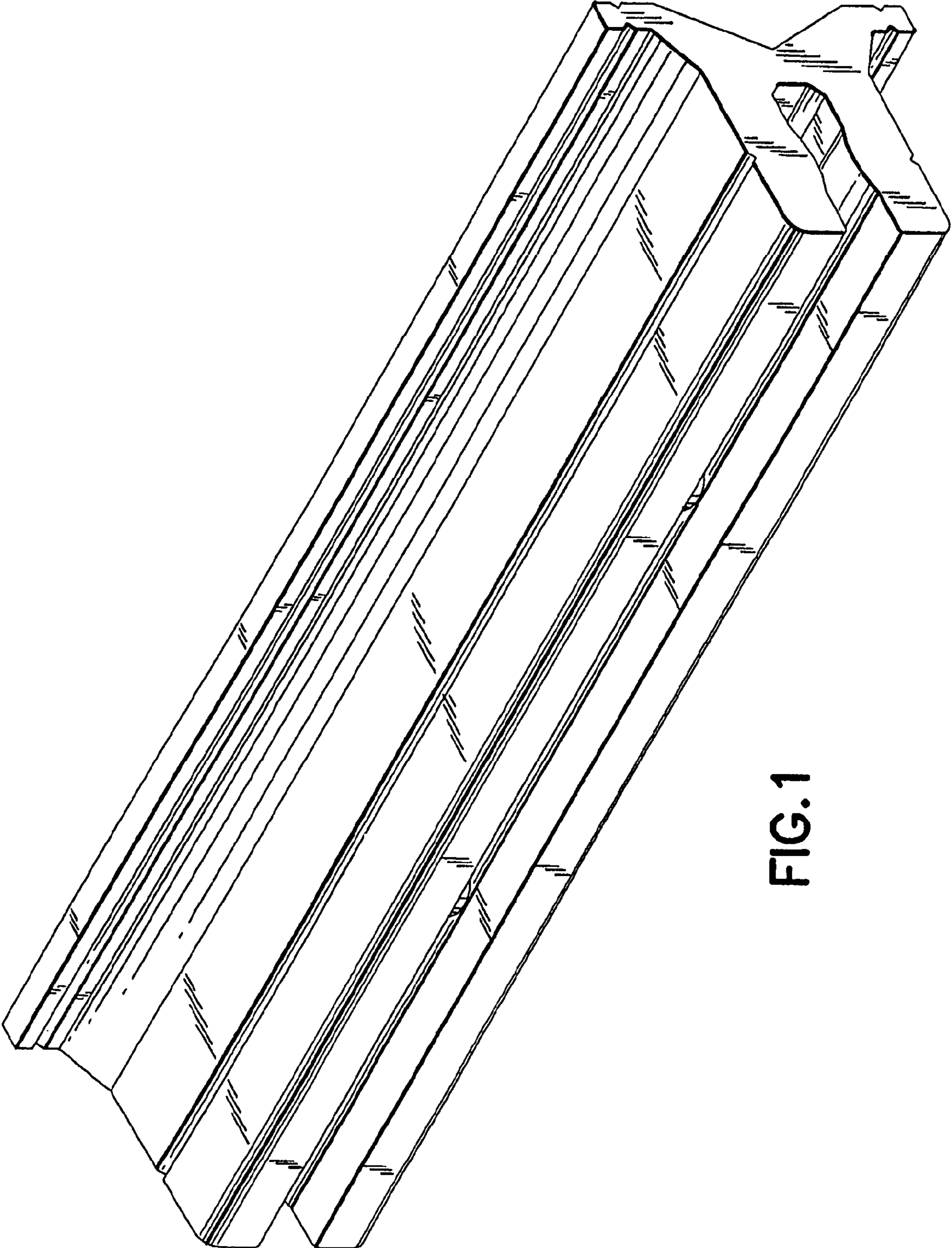


FIG. 1

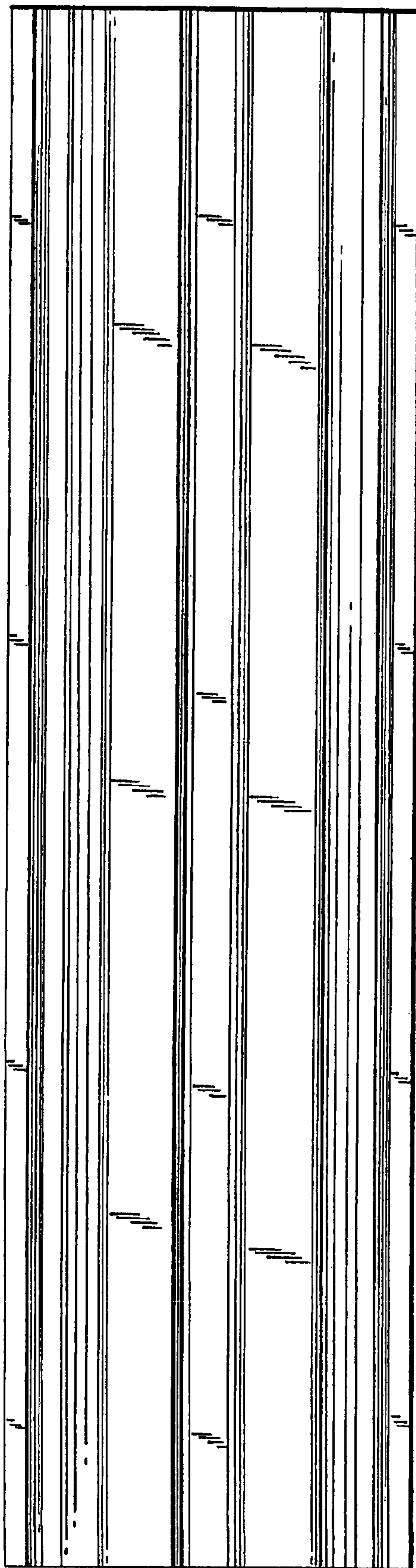


FIG. 2

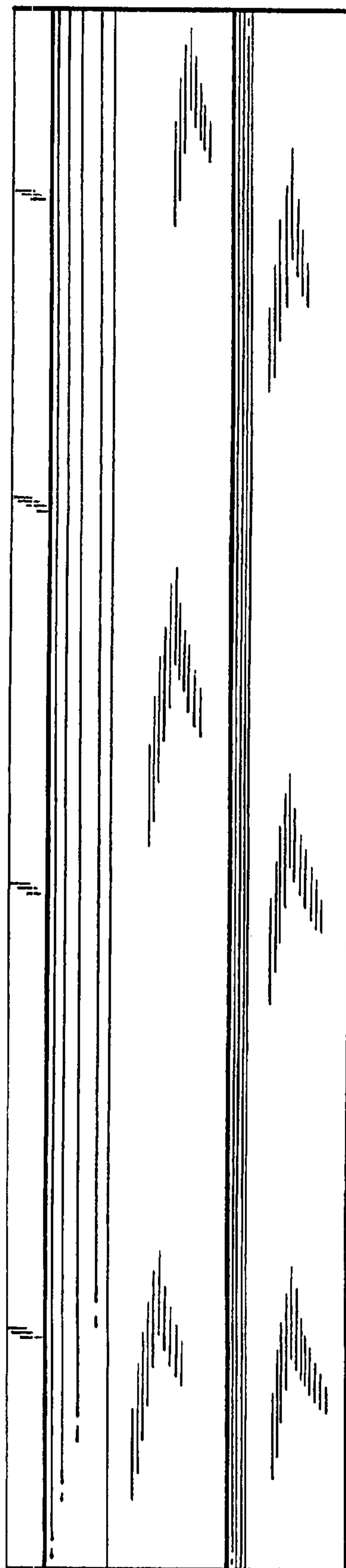


FIG. 3

FIG.4

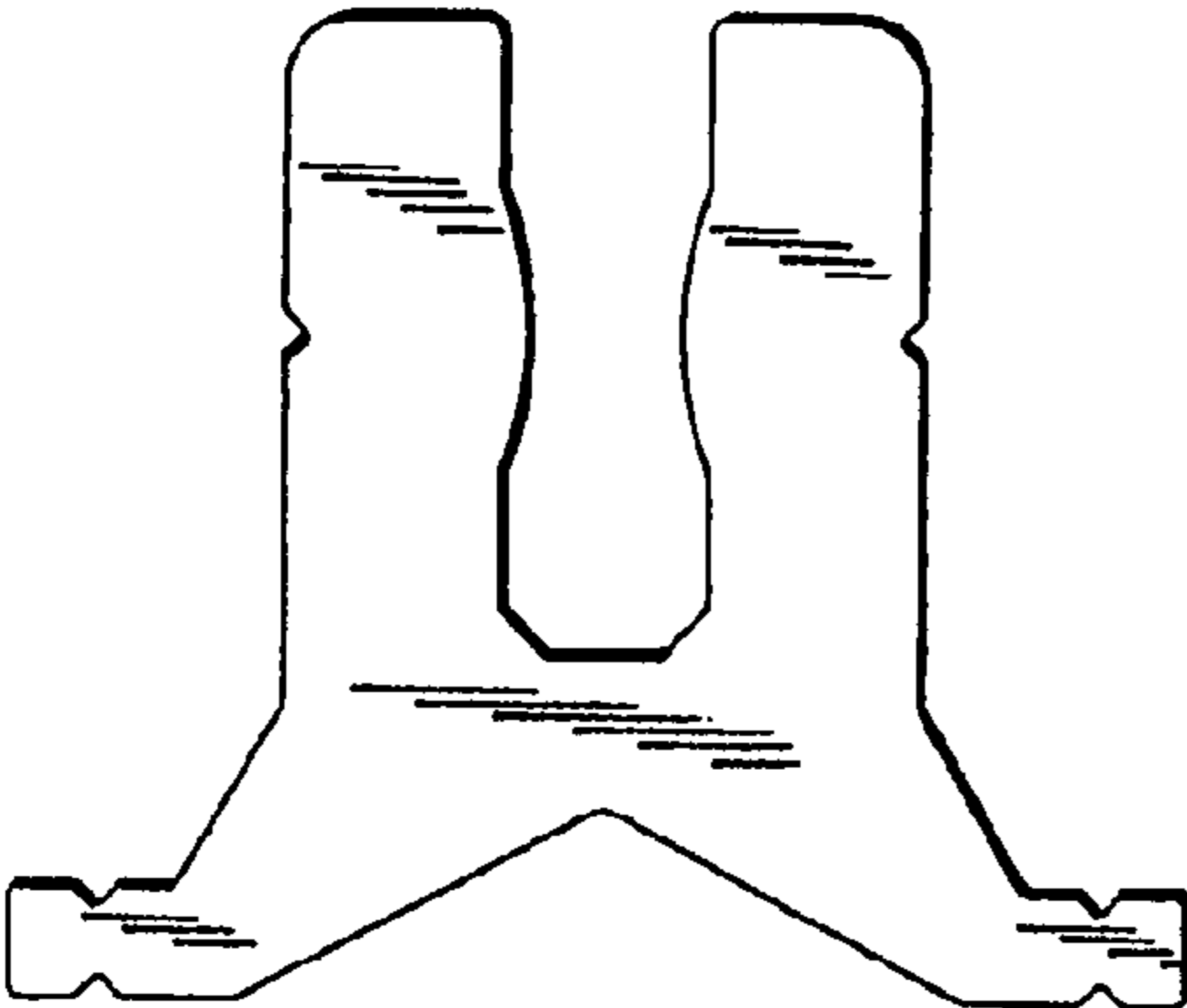


FIG.5

