



US00D606389S

(12) **United States Design Patent**
Werschmidt

(10) **Patent No.:** **US D606,389 S**
(45) **Date of Patent:** **** Dec. 22, 2009**

(54) **CONNECTOR**

(76) **Inventor:** **Gary S. Werschmidt**, 13577 Larwin Cir., Santa Fe Springs, CA (US) 90670

(**) **Term:** **14 Years**

(21) **Appl. No.:** **29/337,128**

(22) **Filed:** **May 15, 2009**

| | | | | |
|--------------|---------|---------------|-------|---------|
| D418,396 S * | 1/2000 | Hirano et al. | | D8/382 |
| D418,398 S * | 1/2000 | Hirano | | D8/382 |
| D423,918 S * | 5/2000 | Hirano et al. | | D8/382 |
| D453,553 S * | 2/2002 | Maerz | | D23/263 |
| D455,950 S * | 4/2002 | Unwin et al. | | D8/382 |
| D476,880 S * | 7/2003 | Segall | | D8/382 |
| D477,527 S * | 7/2003 | Bradford | | D8/382 |
| D481,110 S * | 10/2003 | Snyder et al. | | D23/263 |
| D516,686 S * | 3/2006 | Wilk et al. | | D23/262 |
| D560,476 S * | 1/2008 | Jones et al. | | D8/382 |
| D592,492 S * | 5/2009 | Werschmidt | | D8/382 |

Related U.S. Application Data

(62) Division of application No. 29/282,233, filed on Jul. 13, 2007, now Pat. No. Des. 592,492.

(51) **LOC (9) Cl.** **08-08**

(52) **U.S. Cl.** **D8/382**

(58) **Field of Classification Search** D8/382;
D23/262-263; 403/300, 305, 205, 217, 169,
403/170; 211/182

See application file for complete search history.

* cited by examiner

Primary Examiner—Holly Baynham

Assistant Examiner—Sheryl Lane

(74) *Attorney, Agent, or Firm*—William W. Cochran;
Cochran Freund & Young LLC

(57) **CLAIM**

The ornamental design for a connector, as shown and described.

(56) **References Cited**

U.S. PATENT DOCUMENTS

| | | | | |
|---------------|---------|---------------|-------|---------|
| D121,608 S * | 7/1940 | Bedur | | D23/262 |
| D149,793 S * | 6/1948 | Burst | | D6/495 |
| D157,594 S * | 3/1950 | Hollaender | | D8/382 |
| 2,839,320 A * | 6/1958 | Hill | | 403/172 |
| D345,413 S * | 3/1994 | Brown | | D23/263 |
| D348,723 S * | 7/1994 | Carroll | | D23/263 |
| D355,589 S * | 2/1995 | Kuwata | | D8/382 |
| D374,812 S * | 10/1996 | Hirano et al. | | D8/382 |
| D376,532 S * | 12/1996 | Esslinger | | D8/382 |
| D386,393 S * | 11/1997 | Ookubo et al. | | D8/382 |
| D397,211 S * | 8/1998 | Hirano et al. | | D23/262 |
| D418,047 S * | 12/1999 | Hirano | | D8/382 |

DESCRIPTION

FIG. 1 is an isometric view of a connector showing my new design.

FIG. 2 is a front view thereof.

FIG. 3 is a top view thereof.

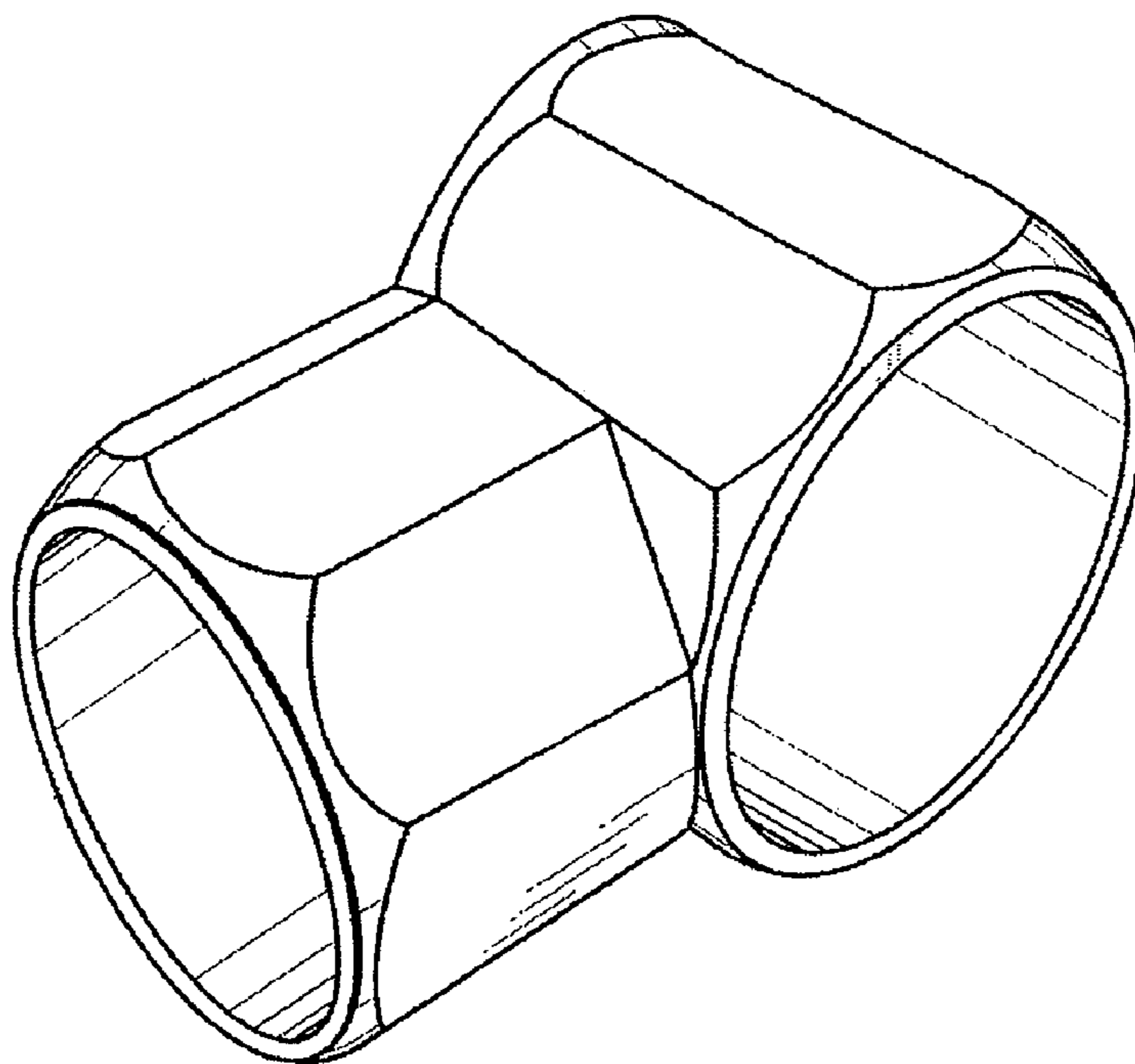
FIG. 4 is a right side view thereof.

FIG. 5 is a left side view thereof.

FIG. 6 is a rear view thereof; and,

FIG. 7 is a bottom view thereof.

1 Claim, 2 Drawing Sheets



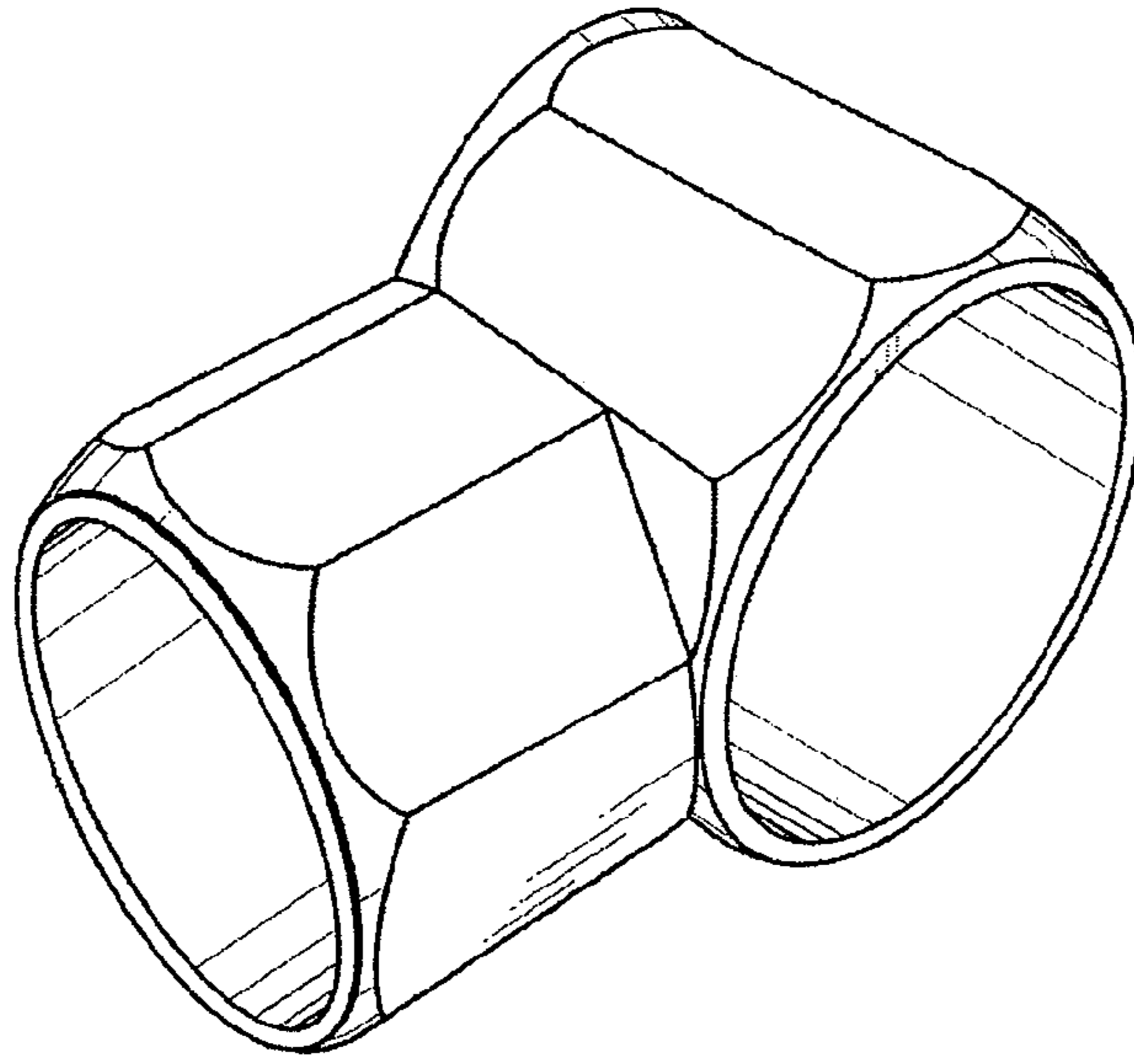


FIG. 1

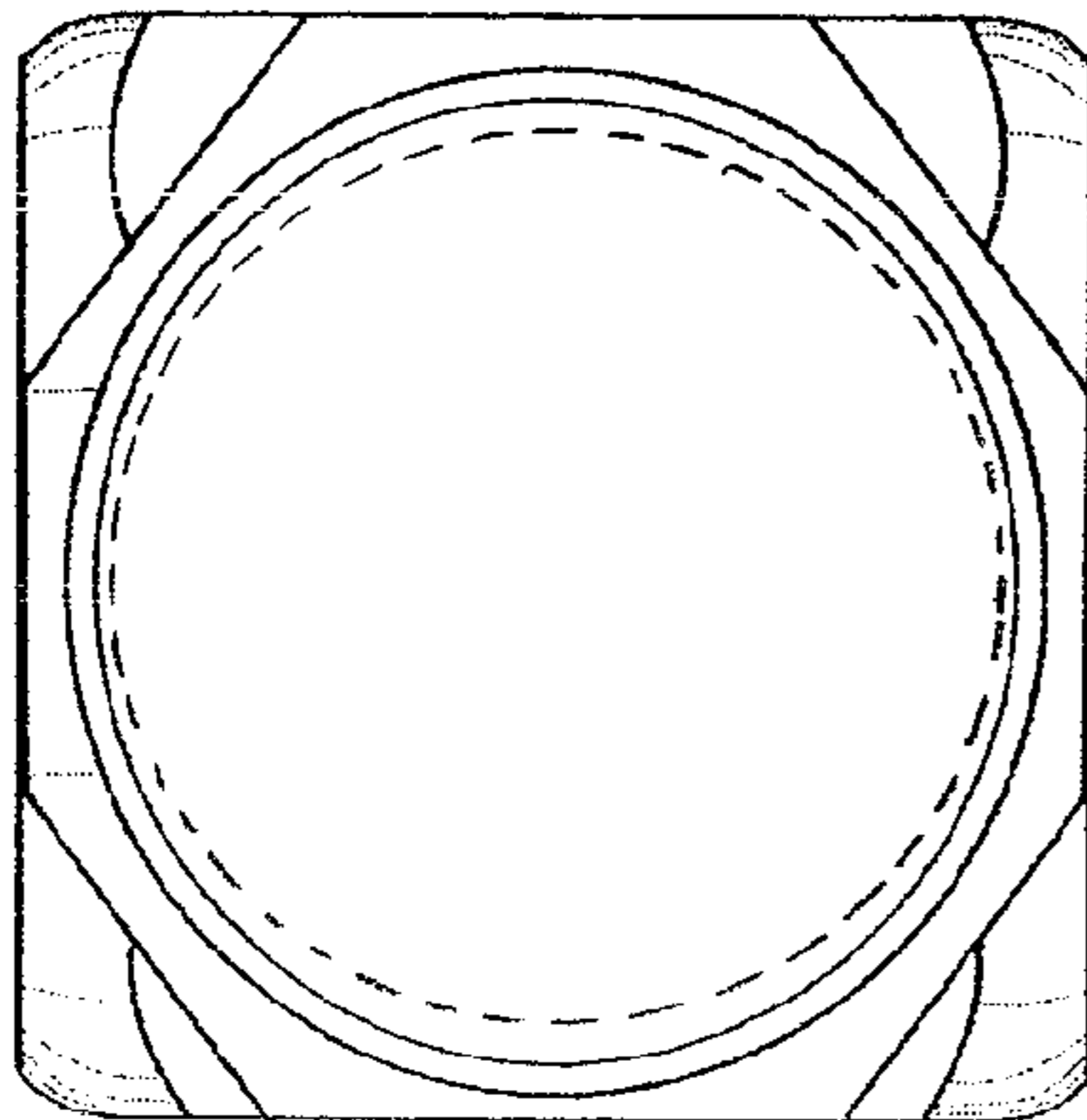


FIG. 2

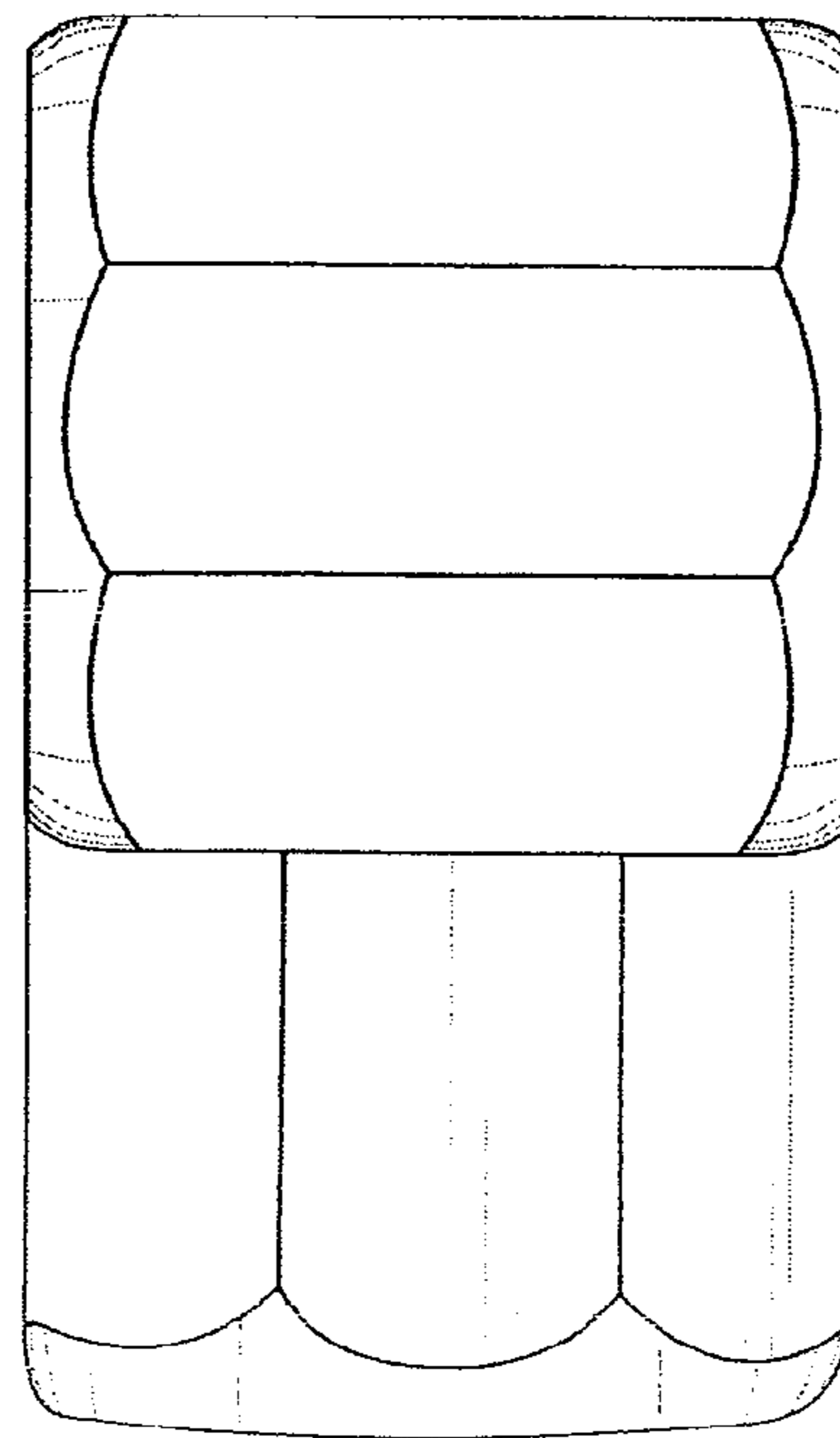


FIG. 3

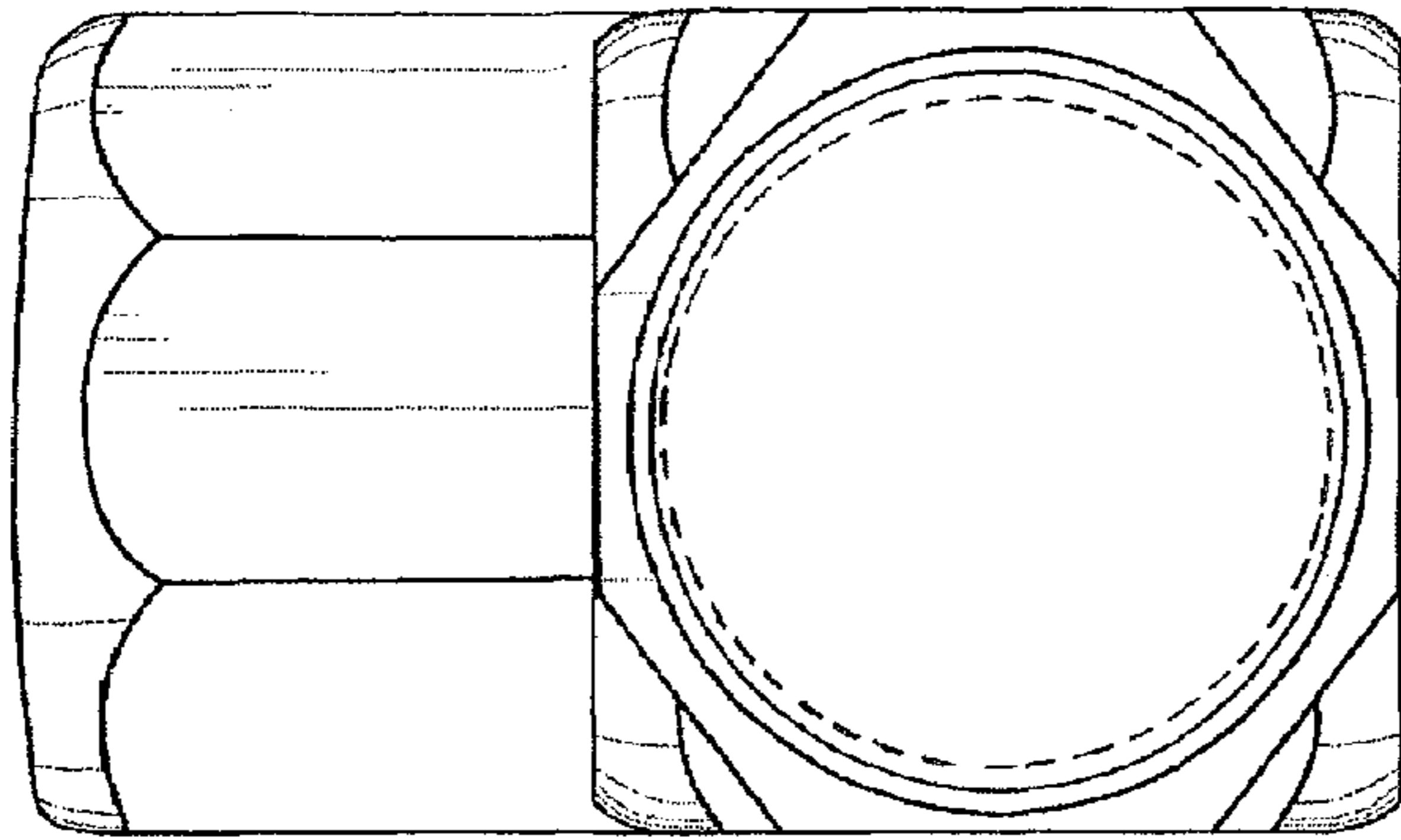


FIG. 4

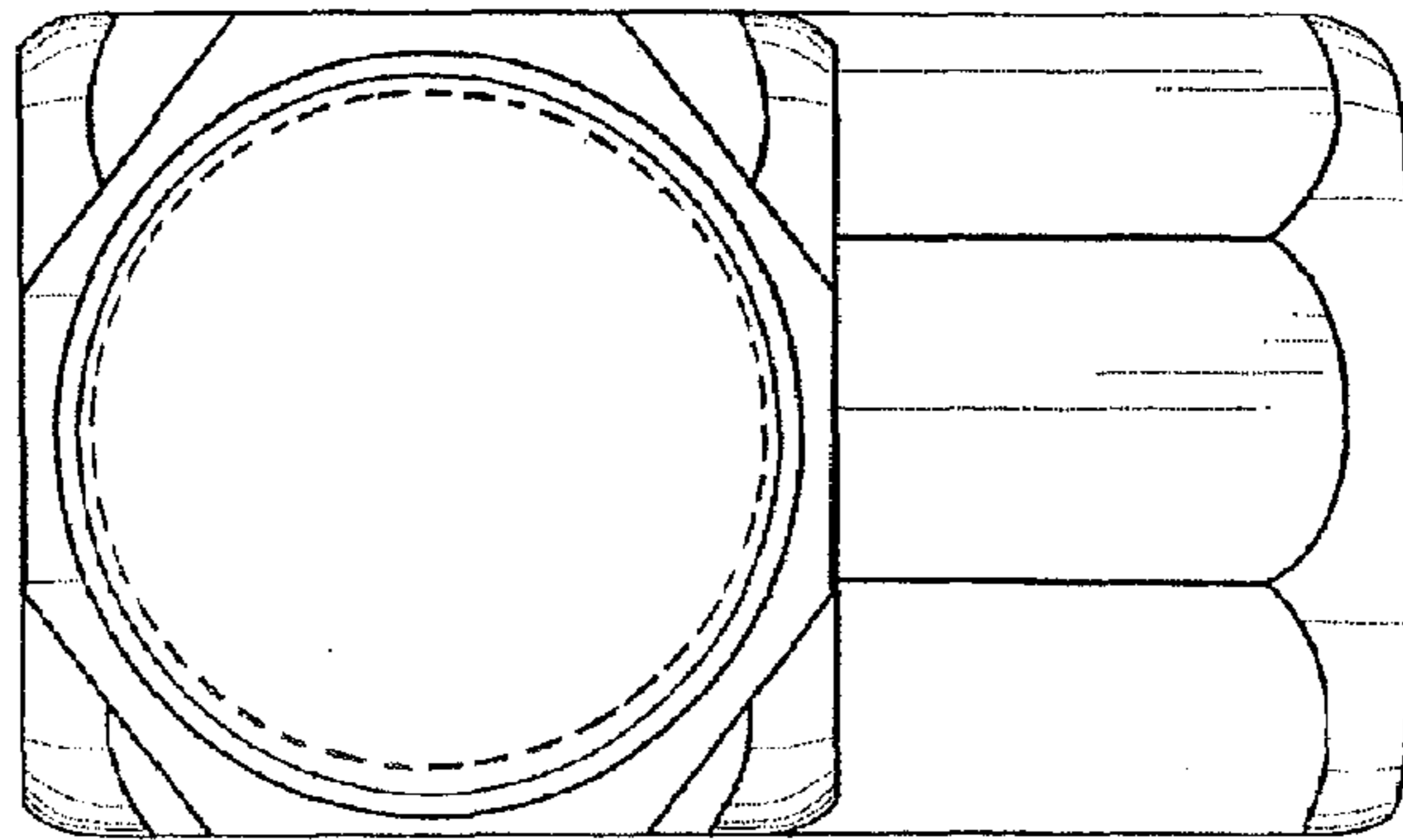


FIG. 5

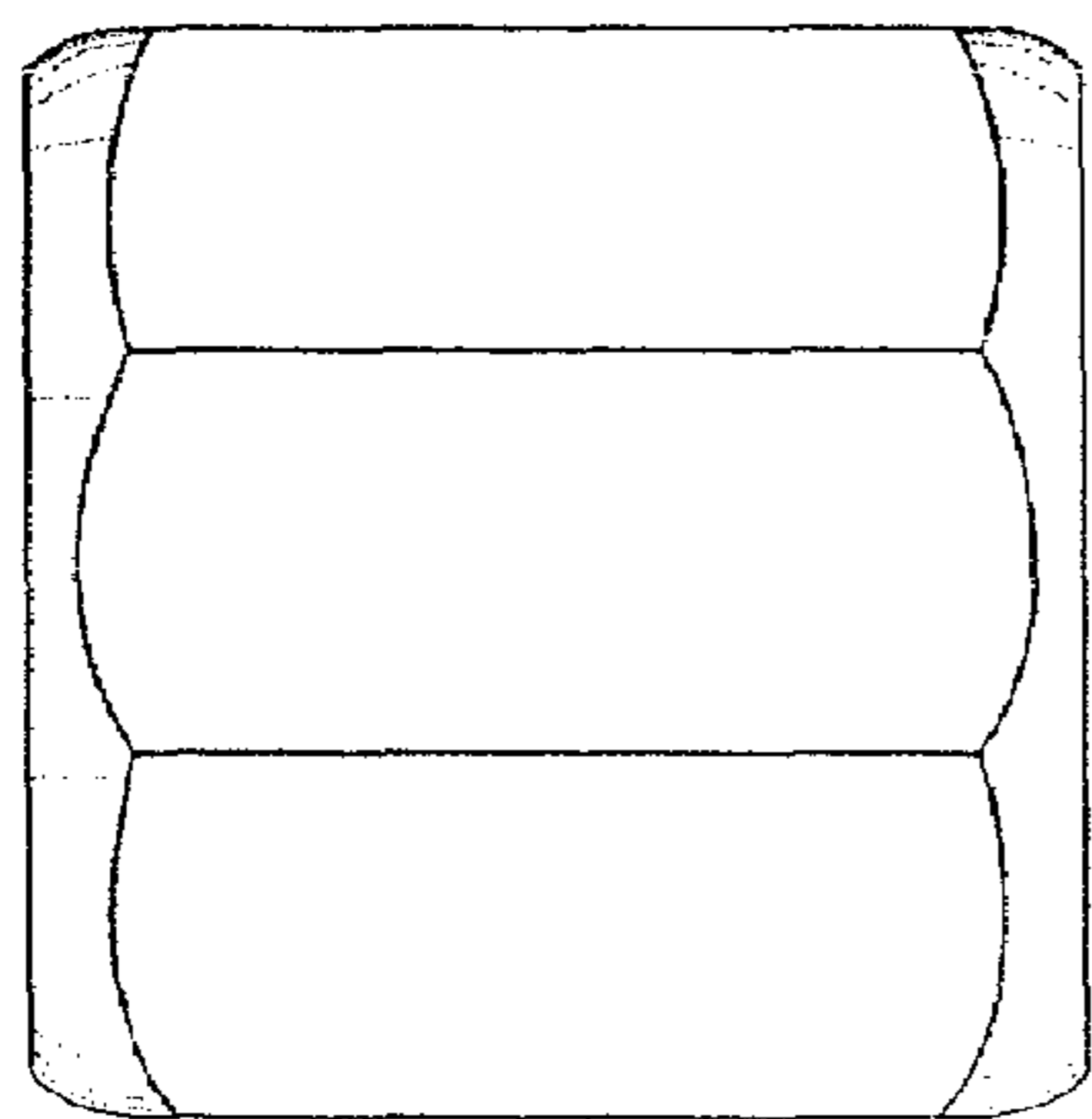


FIG. 6

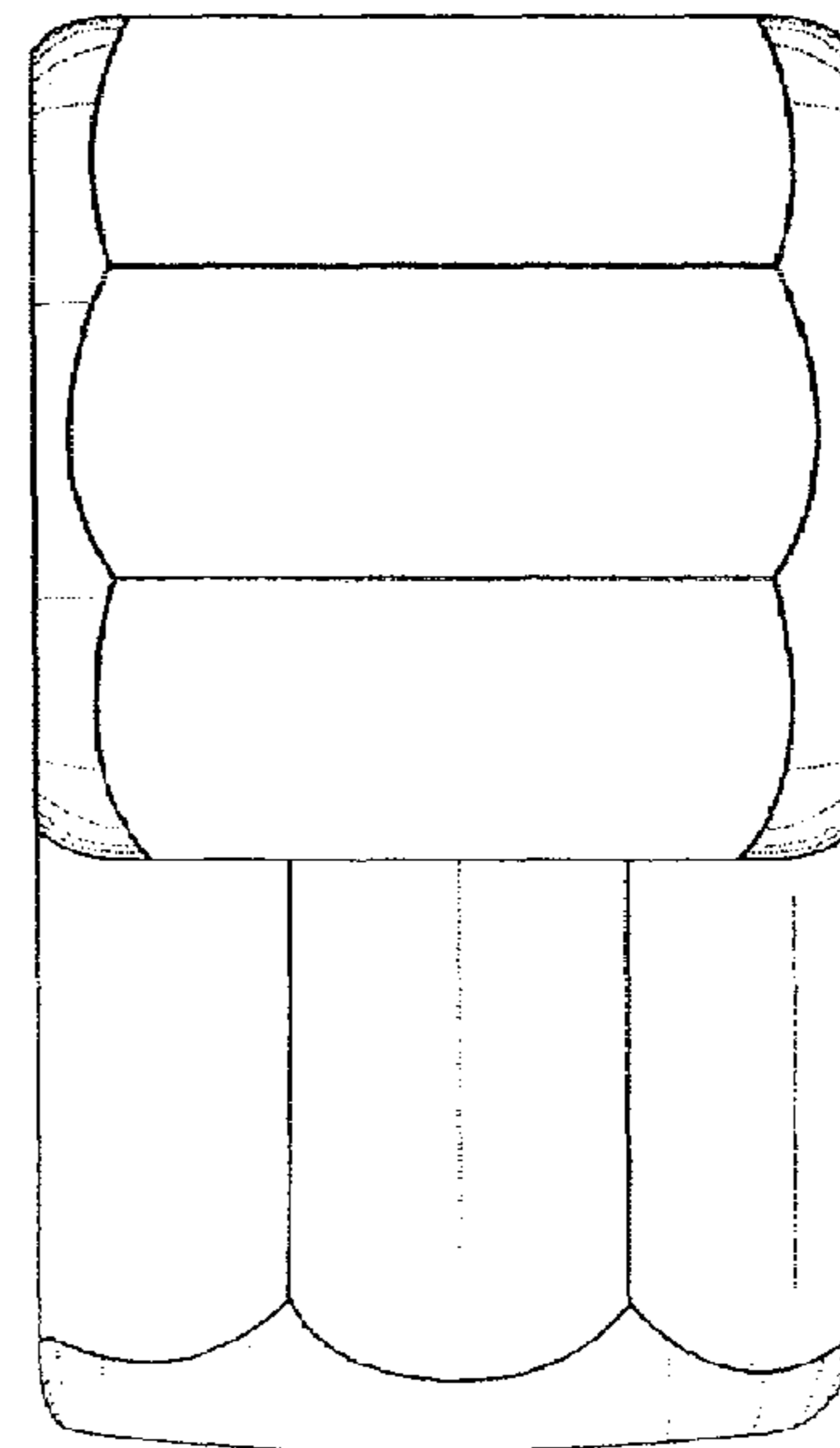


FIG. 7