



US00D606387S

(12) **United States Design Patent**  
**Werschmidt**

(10) **Patent No.:** **US D606,387 S**  
(45) **Date of Patent:** **\*\* Dec. 22, 2009**

(54) **CONNECTOR**

(76) **Inventor:** **Gary S. Werschmidt**, 13577 Larwin Cir., Santa Fe Springs, CA (US) 90670

(\*\*) **Term:** **14 Years**

(21) **Appl. No.:** **29/337,126**

(22) **Filed:** **May 15, 2009**

**Related U.S. Application Data**

(62) Division of application No. 29/282,233, filed on Jul. 13, 2007, now Pat. No. Des. 592,492.

(51) **LOC (9) Cl.** ..... **08-08**

(52) **U.S. Cl.** ..... **D8/382**

(58) **Field of Classification Search** ..... D8/382;  
D23/262–263; 403/300, 305, 205, 217, 169,  
403/170; 211/182

See application file for complete search history.

(56) **References Cited**

**U.S. PATENT DOCUMENTS**

D121,608	S	*	7/1940	Bedur	.....	D23/262
2,839,320	A	*	6/1958	Hill	.....	403/172
D348,723	S	*	7/1994	Carroll	.....	D23/263
D355,589	S	*	2/1995	Kuwata	.....	D8/382
D374,812	S	*	10/1996	Hirano et al.	.....	D8/382
D376,532	S	*	12/1996	Esslinger	.....	D8/382
D386,393	S	*	11/1997	Ookubo et al.	.....	D8/382
D397,211	S	*	8/1998	Hirano et al.	.....	D23/262
D418,047	S	*	12/1999	Hirano	.....	D8/382

D418,398	S	*	1/2000	Hirano	.....	D8/382
D423,918	S	*	5/2000	Hirano et al.	.....	D8/382
D453,553	S	*	2/2002	Maerz	.....	D23/263
D476,880	S	*	7/2003	Segall	.....	D8/382
D477,527	S	*	7/2003	Bradford	.....	D8/382
D481,110	S	*	10/2003	Snyder et al.	.....	D23/263
D516,686	S	*	3/2006	Wilk et al.	.....	D23/262
D592,492	S	*	5/2009	Werschmidt	.....	D8/382

\* cited by examiner

*Primary Examiner*—Holly Baynham

*Assistant Examiner*—Sheryl Lane

(74) *Attorney, Agent, or Firm*—William W. Cochran; Cochran Freund & Young LLC

(57) **CLAIM**

The ornamental design for a connector, as shown and described.

**DESCRIPTION**

FIG. 1 is an isometric view of a connector showing my new design.

FIG. 2 is a front view thereof.

FIG. 3 is a top view thereof.

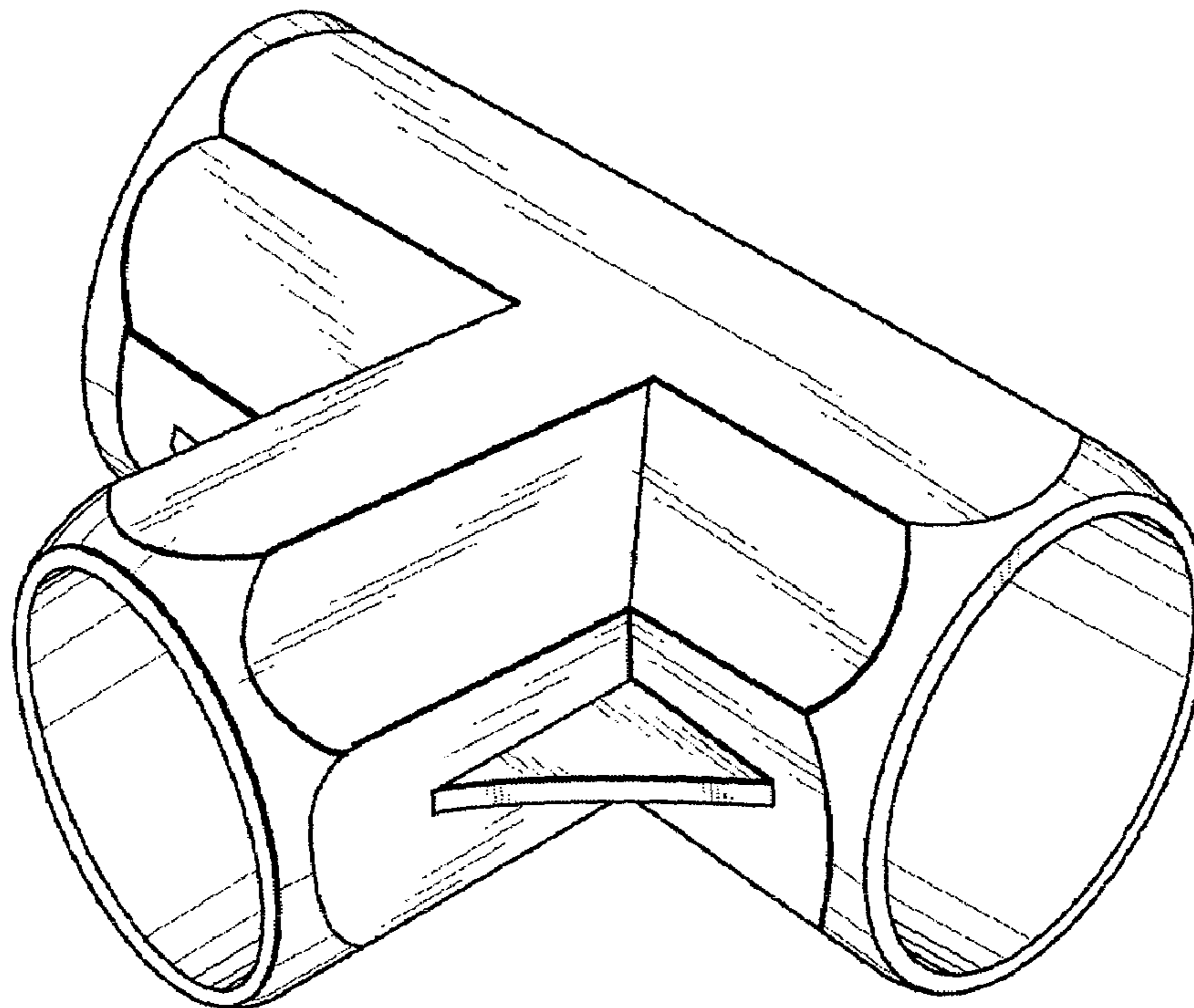
FIG. 4 is a left side view thereof.

FIG. 5 is a right side view thereof.

FIG. 6 is a rear view thereof; and,

FIG. 7 is a bottom view thereof.

**1 Claim, 4 Drawing Sheets**



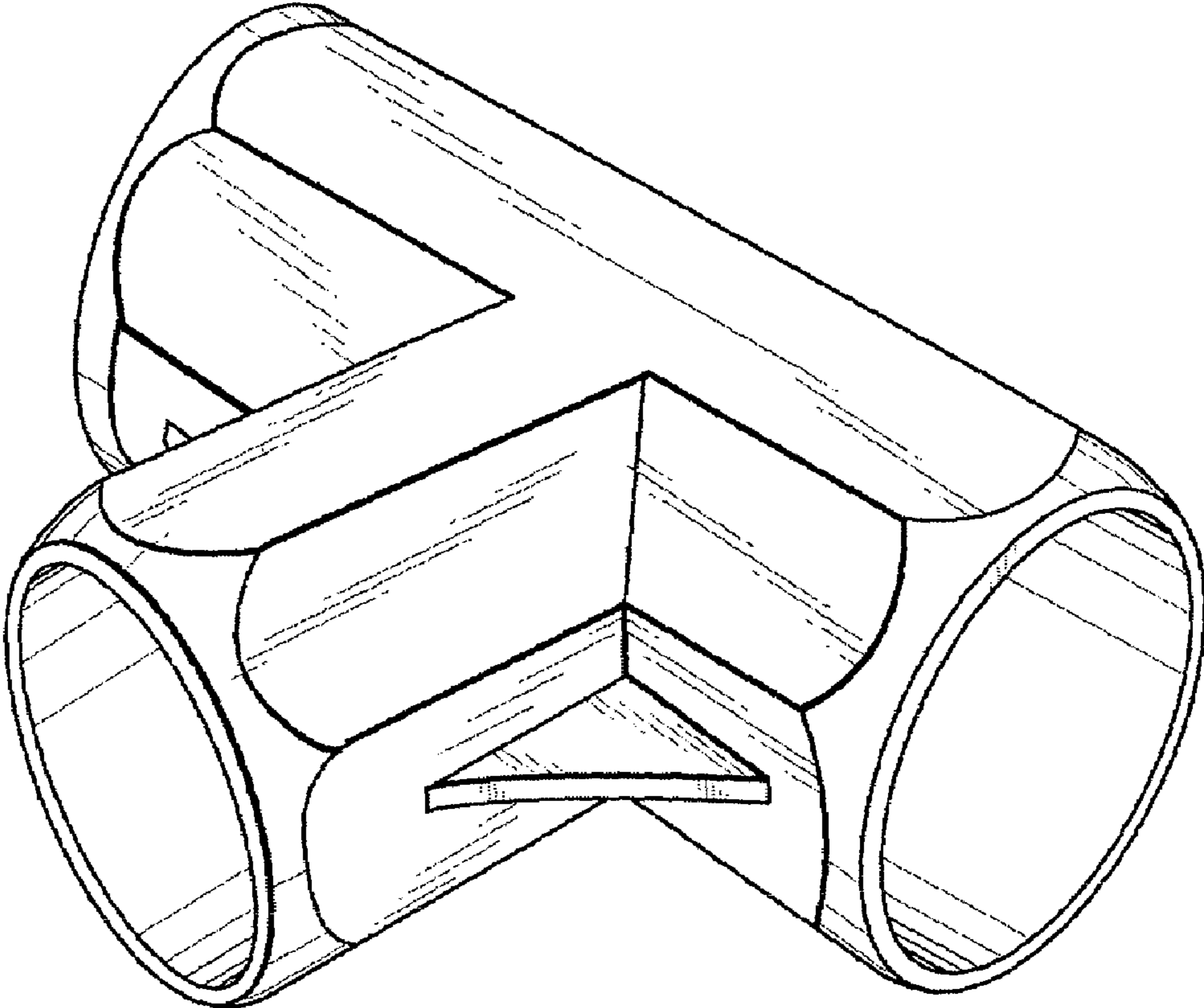


FIG. 1

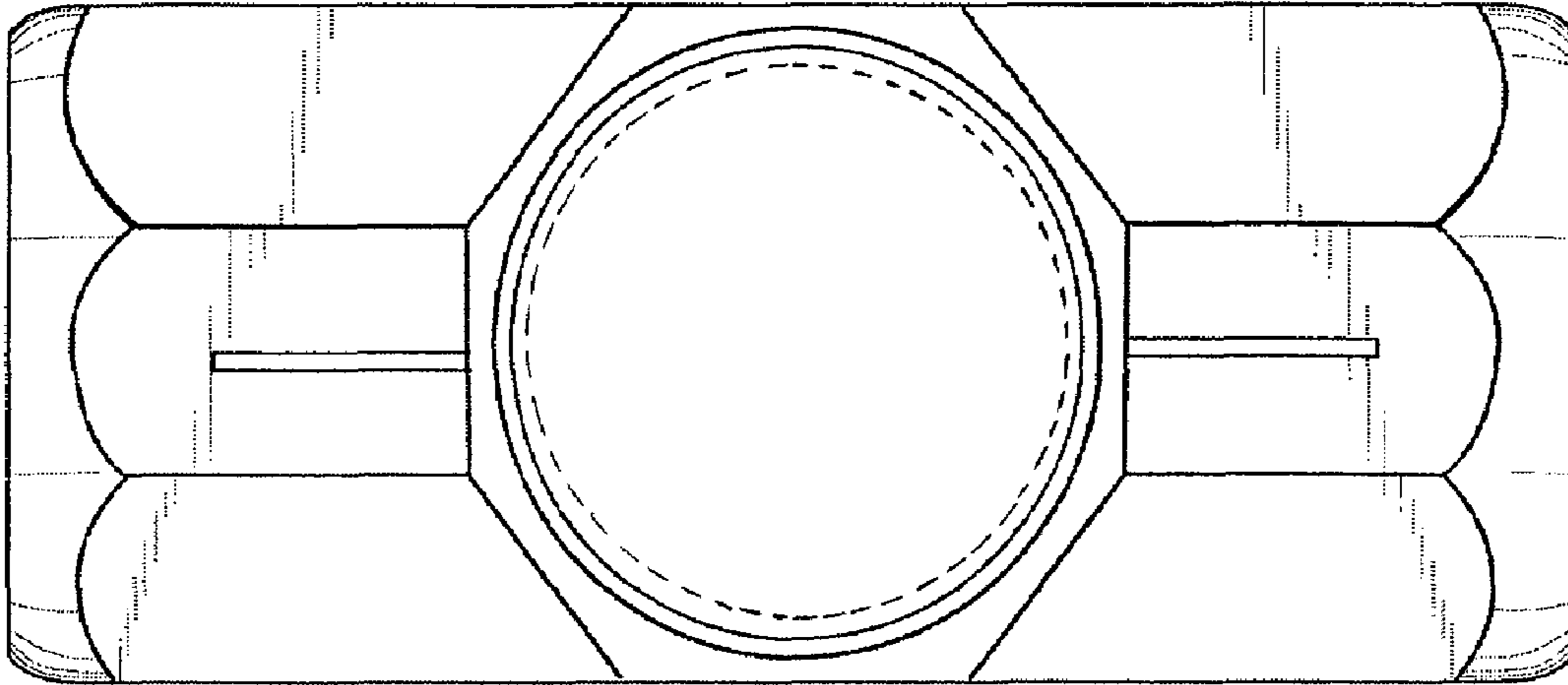


FIG. 2

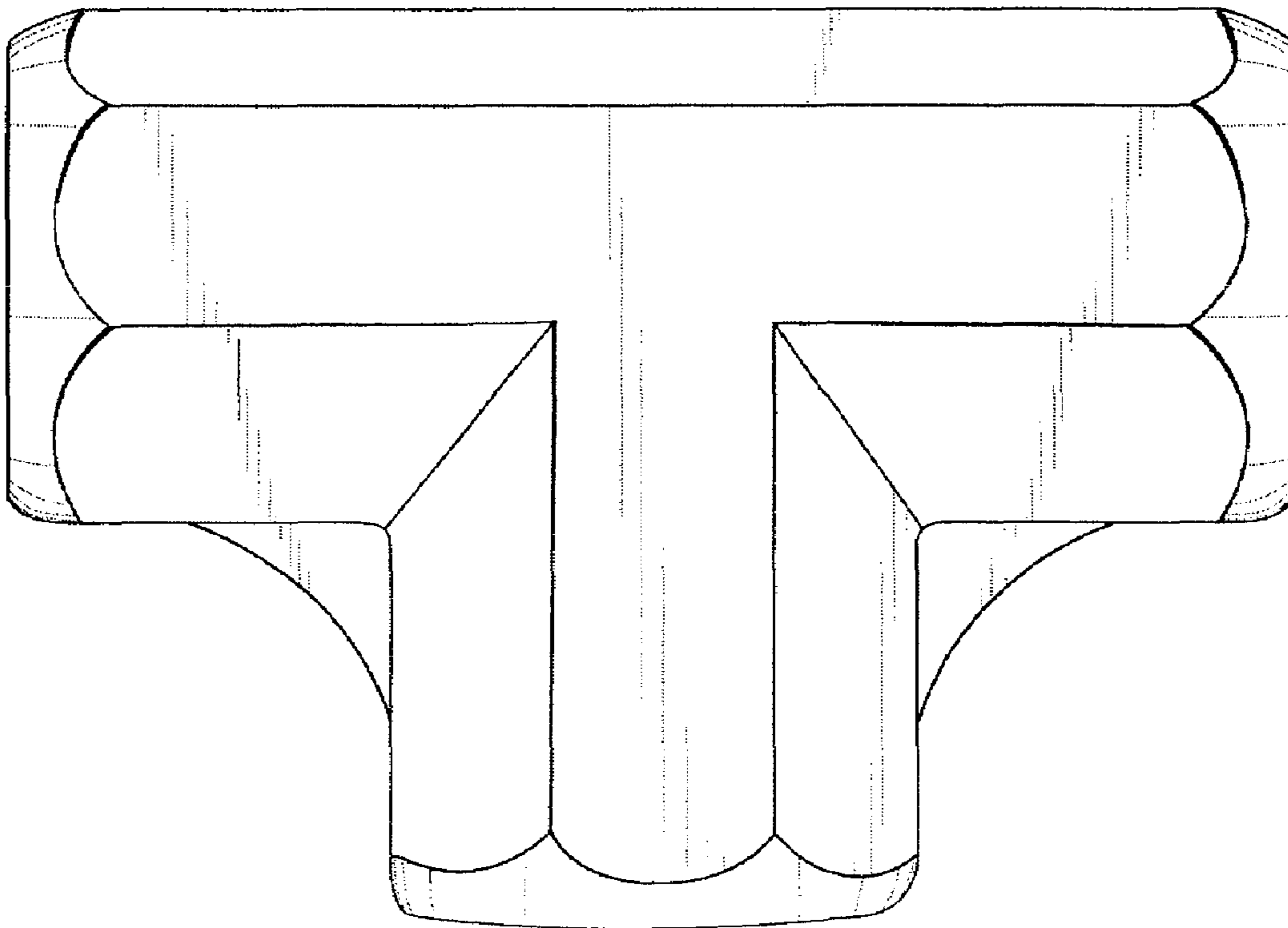


FIG. 3

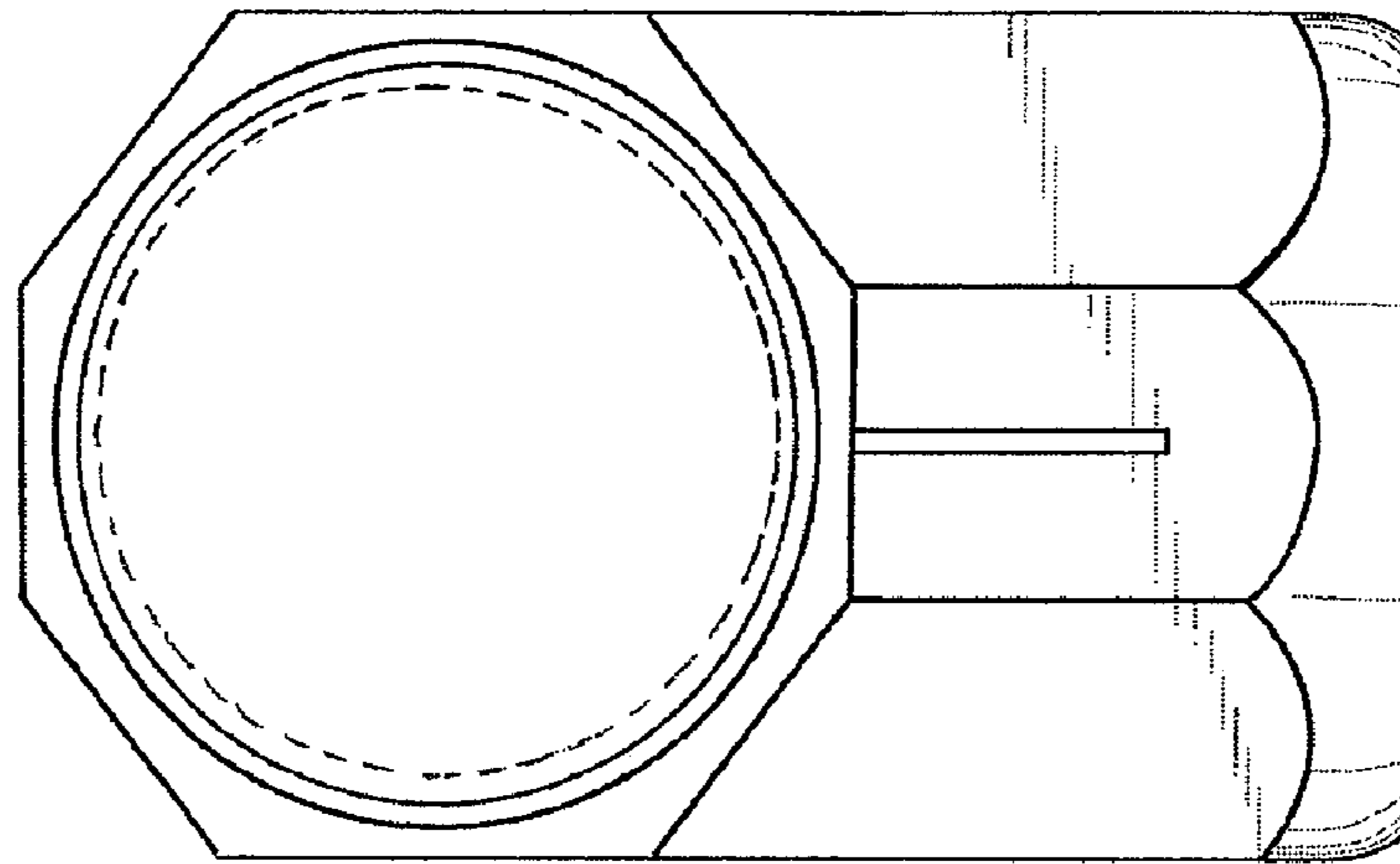


FIG. 4

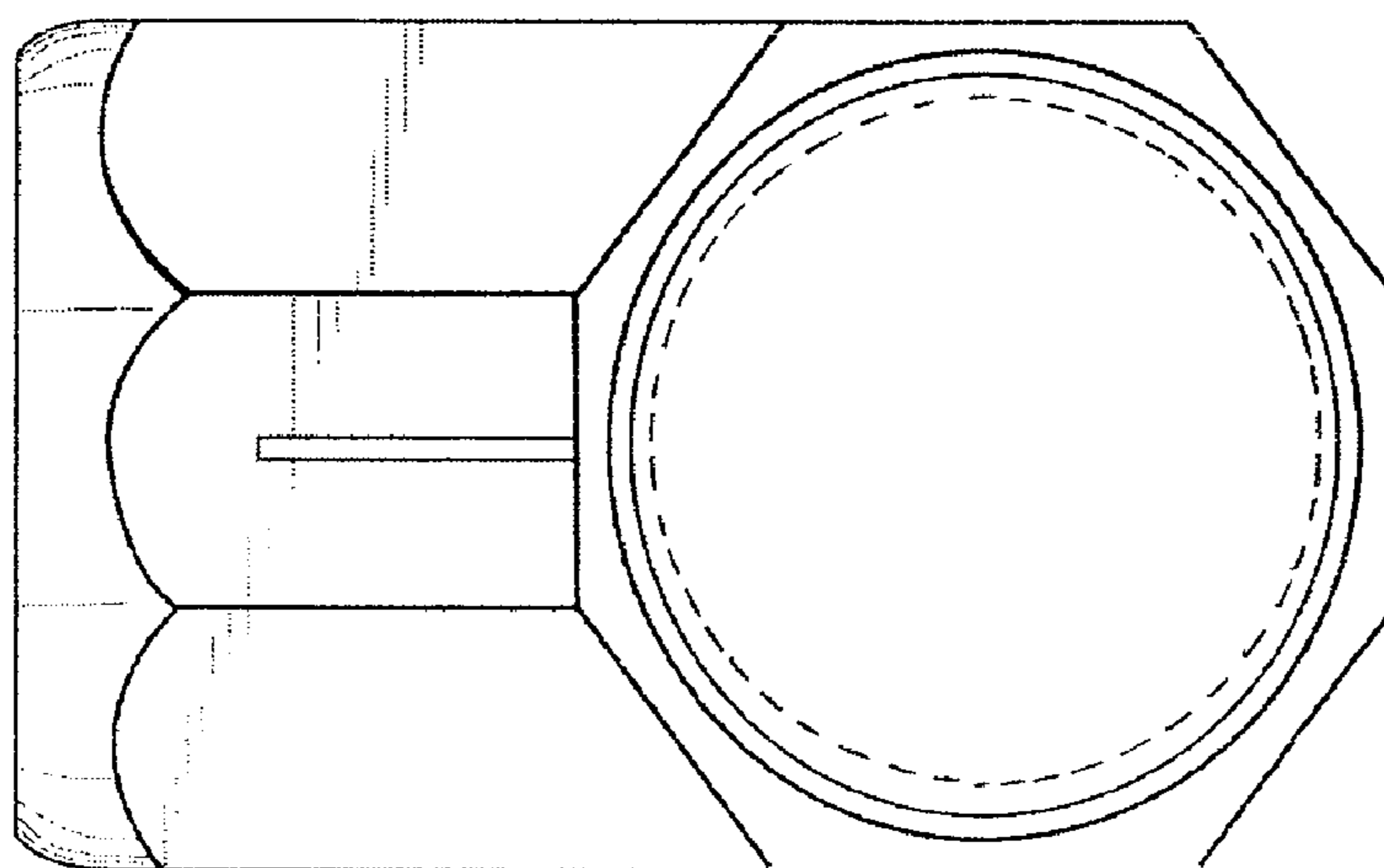


FIG. 5

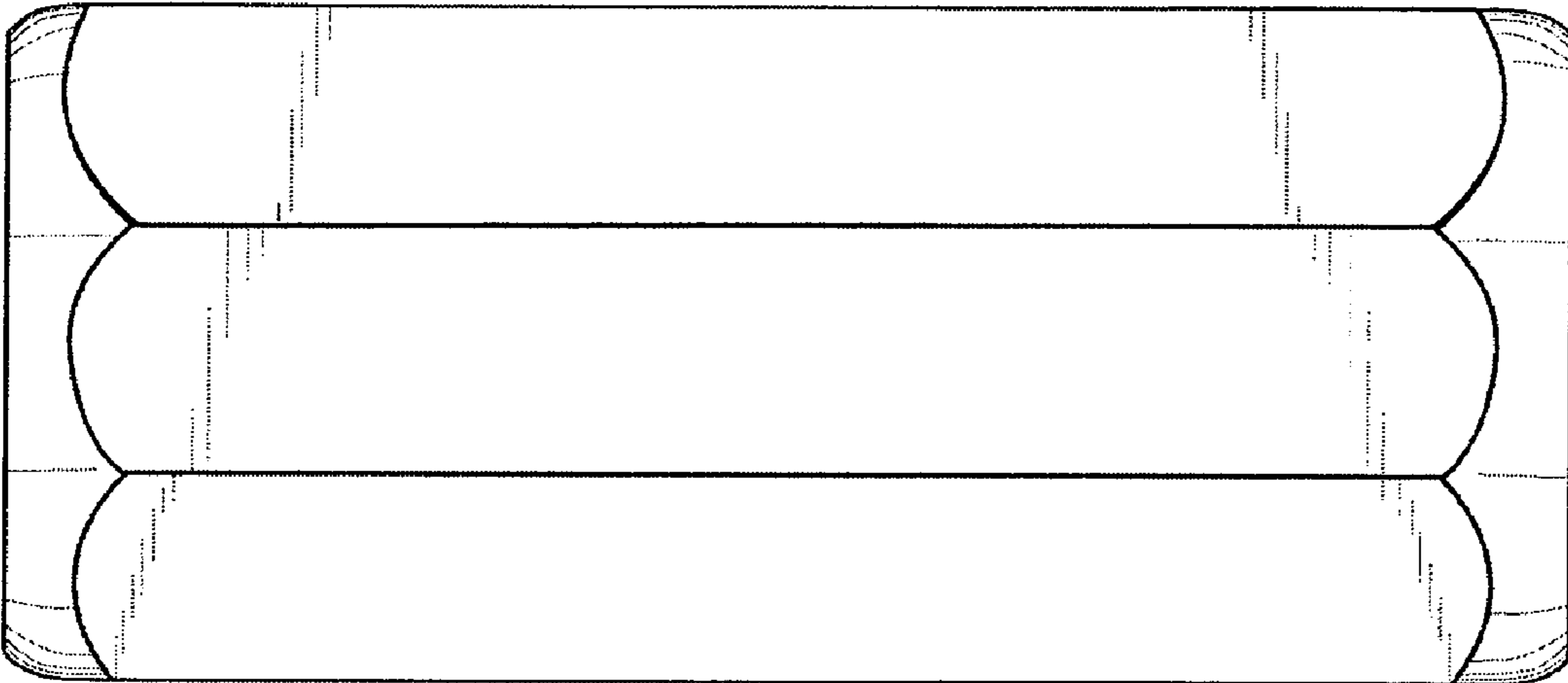


FIG. 6

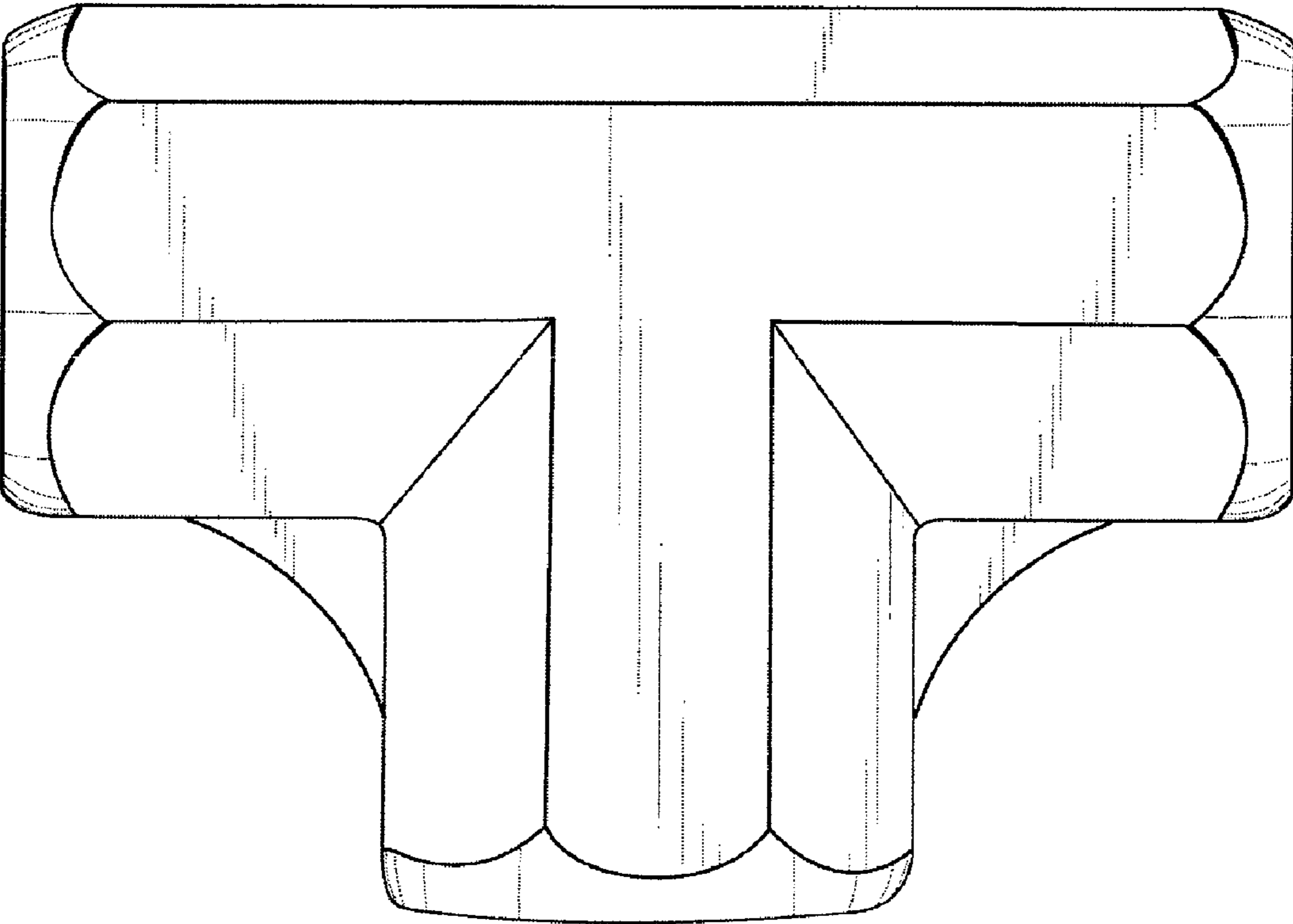


FIG. 7