

US00D606386S

(12) **United States Design Patent**  
**Fernandez et al.**

(10) **Patent No.:** **US D606,386 S**

(45) **Date of Patent:** **\*\* Dec. 22, 2009**

(54) **END BRACKET**

(75) Inventors: **Julio A. Fernandez**, Doonnellon, FL (US); **Robert P. Kundinger, Jr.**, Deland, FL (US)

(73) Assignee: **Clairson, Inc.**, Newark, DE (US)

(\*\*) Term: **14 Years**

(21) Appl. No.: **29/340,615**

(22) Filed: **Jul. 22, 2009**

(51) **LOC (9) Cl.** ..... **08-05**

(52) **U.S. Cl.** ..... **D8/381**

(58) **Field of Classification Search** ..... D8/403, D8/381, 380, 373, 363, 354, 349; D6/574, D6/573, 572; 52/712-715, 665, 506.06; 292/346; 248/265, 247, 243, 235, 200; 108/85  
See application file for complete search history.

(56) **References Cited**

**U.S. PATENT DOCUMENTS**

D5,634 S	3/1872	Wunder
1,006,328 A	10/1911	Widenhofer
D78,426 S	4/1929	Whincap
1,793,036 A	2/1931	Whitney
1,997,432 A	4/1935	Replogle
2,020,991 A	11/1935	Brody
2,057,429 A	10/1936	Heim

(Continued)

**FOREIGN PATENT DOCUMENTS**

EP 0338872 A1 10/1989

(Continued)

**OTHER PUBLICATIONS**

[http://www.closetmaid.com/Look/Product\\_Catalog/product.cfm?product\\_id=115](http://www.closetmaid.com/Look/Product_Catalog/product.cfm?product_id=115), 2 pages.

(Continued)

*Primary Examiner*—Susan Bennett Hattan

(74) *Attorney, Agent, or Firm*—Harness, Dickey & Pierce, P.L.C.

(57) **CLAIM**

The ornamental design for a end bracket, as shown and described.

**DESCRIPTION**

FIG. 1 is an upper front perspective view of a end bracket, showing our design;

FIG. 2 is a lower front perspective view thereof;

FIG. 3 is an upper back perspective view thereof;

FIG. 4 is a lower back perspective view thereof;

FIG. 5 is a front view thereof;

FIG. 6 is a back view thereof;

FIG. 7 is a left side view thereof;

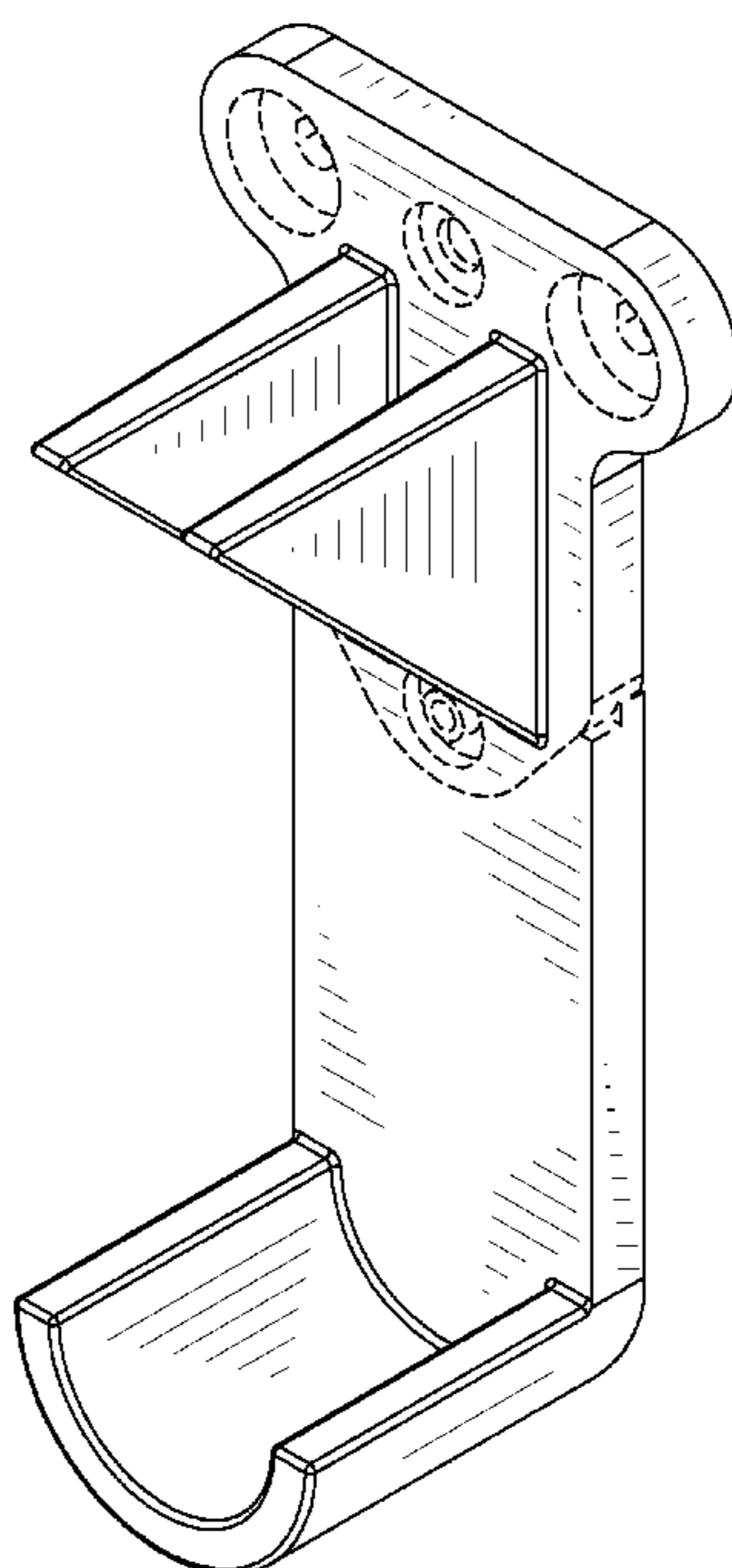
FIG. 8 is a right side view thereof;

FIG. 9 is a top view thereof; and,

FIG. 10 is a bottom view thereof.

The details shown in broken lines are for illustrative purposes only and form no part of the claimed design.

**1 Claim, 10 Drawing Sheets**



# US D606,386 S

U.S. PATENT DOCUMENTS						
			5,326,062	A	7/1994	Remmers
			5,330,063	A	7/1994	Remmers
			5,351,842	A	10/1994	Remmers
			D353,500	S	12/1994	Remmers
			5,386,959	A	2/1995	Laughlin et al.
			5,407,084	A	4/1995	Remmers
			5,492,295	A	2/1996	Remmers
			D369,293	S	4/1996	Gusdorf et al.
			5,531,416	A	7/1996	Remmers
			5,533,851	A	7/1996	Remmers
			D373,719	S	9/1996	Lin
			5,580,018	A	12/1996	Remmers
			5,584,405	A	12/1996	Tunzi
			5,645,182	A	7/1997	Miller, Jr. et al.
			D392,553	S	3/1998	Dill
			D394,203	S	5/1998	Nadar
			5,752,610	A	5/1998	Remmers
			5,755,414	A	5/1998	Remmers
			D394,999	S	6/1998	Phillip
			5,758,851	A	6/1998	Remmers
			5,788,093	A	8/1998	Krut
			5,833,193	A	11/1998	Derda et al.
			D402,536	S	12/1998	Cousins
			D403,234	S	12/1998	Nagato
			D408,175	S	4/1999	Daniels et al.
			D409,866	S	5/1999	West
			D411,738	S	6/1999	Raasch et al.
			5,909,936	A	6/1999	Daniels et al.
			5,921,412	A	7/1999	Merl
			5,934,631	A	8/1999	Becker et al.
			6,053,465	A	4/2000	Kluge
			D423,917	S	5/2000	Remmers et al.
			D427,466	S	7/2000	Remmers
			D437,515	S	2/2001	Remmers et al.
			6,189,527	B1	2/2001	Walsh et al.
			6,279,467	B1	8/2001	Tiemann
			6,402,108	B1	6/2002	Remmers
			6,443,318	B1	9/2002	Welsch
			6,457,594	B1	10/2002	Tiemann
			6,467,860	B2	10/2002	Remmers
			6,494,653	B2	12/2002	Remmers
			D470,398	S	2/2003	Remmers
			D477,144	S	7/2003	Remmers
			D478,801	S	8/2003	Spruill
			6,626,509	B2	9/2003	Remmers
			D482,601	S	* 11/2003	Chen ..... D8/380
			6,669,154	B1	12/2003	Remmers
			D485,109	S	1/2004	Oberhaus
			D490,690	S	6/2004	Brass et al.
			D497,738	S	11/2004	Sparkowski
			6,840,593	B2	1/2005	Remmers
			D506,385	S	6/2005	Brown
			6,915,913	B2	7/2005	Cardinell
			6,953,176	B2	10/2005	Remmers
			D513,970	S	1/2006	Sterling et al.
			7,004,335	B2	2/2006	Remmers
			7,021,730	B2	4/2006	Remmers
			D522,848	S	6/2006	Nawrocki
			D522,852	S	6/2006	Nawrocki
			D523,327	S	* 6/2006	Clarke ..... D8/380
			7,063,491	B2	6/2006	French
			D525,811	S	8/2006	Nawrocki
			D526,519	S	8/2006	Nawrocki
			D526,887	S	8/2006	Remmers et al.
			7,086,543	B2	8/2006	Remmers
			7,090,317	B2	8/2006	Remmers
			D527,559	S	9/2006	Remmers
			D527,935	S	9/2006	Remmers
			D531,019	S	10/2006	Plumer
			D531,891	S	11/2006	Nawrocki
			7,174,605	B1	2/2007	Nawrocki
			7,185,772	B2	3/2007	Remmers
			7,188,740	B2	3/2007	Marchetta et al.



# US D606,386 S

Page 3

D543,094 S	5/2007	Remmers	2005/0247651 A1	11/2005	Craft
7,225,237 B1	5/2007	Tenereillo	2006/0011568 A1	1/2006	Remmers et al.
D544,260 S	6/2007	Nawrocki	2006/0113443 A1	6/2006	Remmers
D544,261 S	6/2007	Nawrocki	2006/0175495 A1	8/2006	Gregory
D547,163 S	7/2007	Xayoiphonh	2007/0023374 A1	2/2007	Nawrocki
D547,164 S	7/2007	Xayoiphonh	2007/0068887 A1	3/2007	Nawrocki
D547,640 S	7/2007	Remmers	2007/0101545 A1	5/2007	Nawrocki
7,240,803 B2	7/2007	Stitchick et al.	2007/0102604 A1	5/2007	Nawrocki
D550,072 S	9/2007	Ardern	2007/0108146 A1	5/2007	Nawrocki
D550,540 S	9/2007	Nawrocki	2007/0108148 A1	5/2007	Stitchick et al.
D551,062 S	9/2007	Nawrocki	2007/0114197 A1	5/2007	Remmers
D551,884 S	10/2007	Remmers	2007/0114348 A1	5/2007	Nawrocki
D553,485 S	10/2007	Hall	2007/0119805 A1	5/2007	Nawrocki
7,296,697 B2	11/2007	Costa et al.	2007/0134072 A1	6/2007	Su
D559,090 S	1/2008	Nawrocki	2007/0137417 A1	6/2007	Nawrocki et al.
7,314,144 B2	1/2008	Stitchick et al.	2007/0159040 A1	7/2007	Fernandez et al.
D562,670 S	2/2008	Rogers et al.	2007/0187561 A1	8/2007	Xayoiphonh
D567,074 S	4/2008	Gallien	2007/0205172 A1	9/2007	Stitchick et al.
D569,715 S	5/2008	Fernandez	2008/0047098 A1	2/2008	Nawrocki
D578,869 S	10/2008	Fernandez	2009/0139943 A1	6/2009	Fernandez
D580,258 S	11/2008	Fernandez			
D581,260 S	11/2008	Fernandez			
D581,776 S	12/2008	Yin-Feng			
7,458,548 B2	12/2008	Franzone et al.			
D585,730 S	2/2009	Fernandez			
D587,562 S	3/2009	Fernandez			
D589,780 S	4/2009	Fernandez			
D590,240 S	4/2009	Hutter, III			
D596,931 S	7/2009	Fernandez			
2002/0090278 A1	7/2002	Lai			
2002/0153335 A1	10/2002	Robideau			
2002/0166934 A1	11/2002	Marsh			
2003/0231941 A1	12/2003	Kenny			
2005/0109720 A1	5/2005	Marchetta			
2005/0145147 A1	7/2005	Costa et al.			
2005/0148942 A1	7/2005	Newby et al.			

## FOREIGN PATENT DOCUMENTS

FR	2717994 A1	10/1995
GB	2153205 A	8/1985
GB	2180141 A	3/1987
GB	2229625 A	10/1990
JP	10002663	1/1998
WO	WO 2004/056236	7/2004

## OTHER PUBLICATIONS

[http://www.closetmaid.com/pdfs/ARCHITECT\\_SS.pdf](http://www.closetmaid.com/pdfs/ARCHITECT_SS.pdf), 2 pages.  
U.S. Appl. No. 29/298,393, filed Dec. 4, 2007, Fernandez.  
U.S. Appl. No. 11/014,663, filed Dec. 16, 2004 (Remmers).

\* cited by examiner

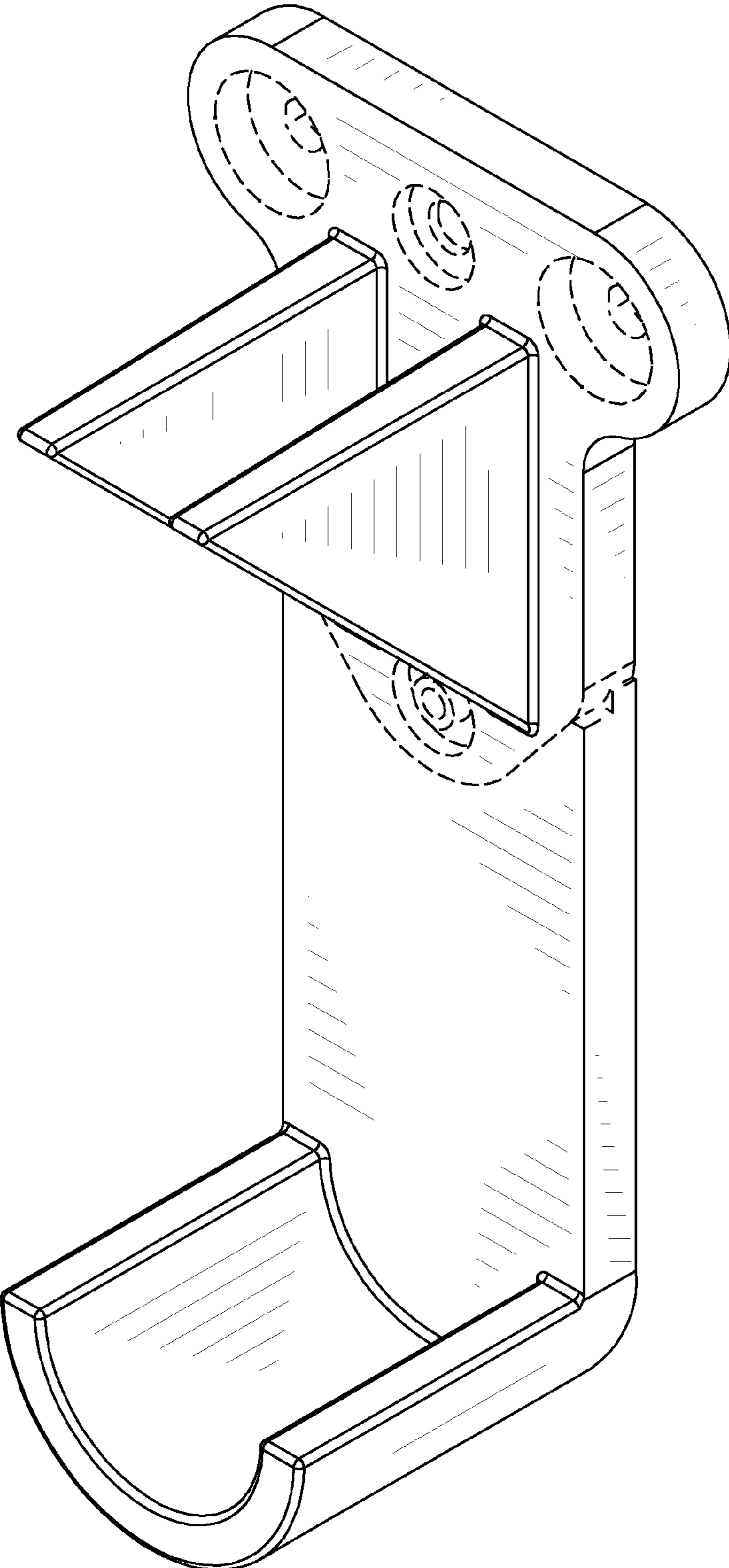


Fig. 1

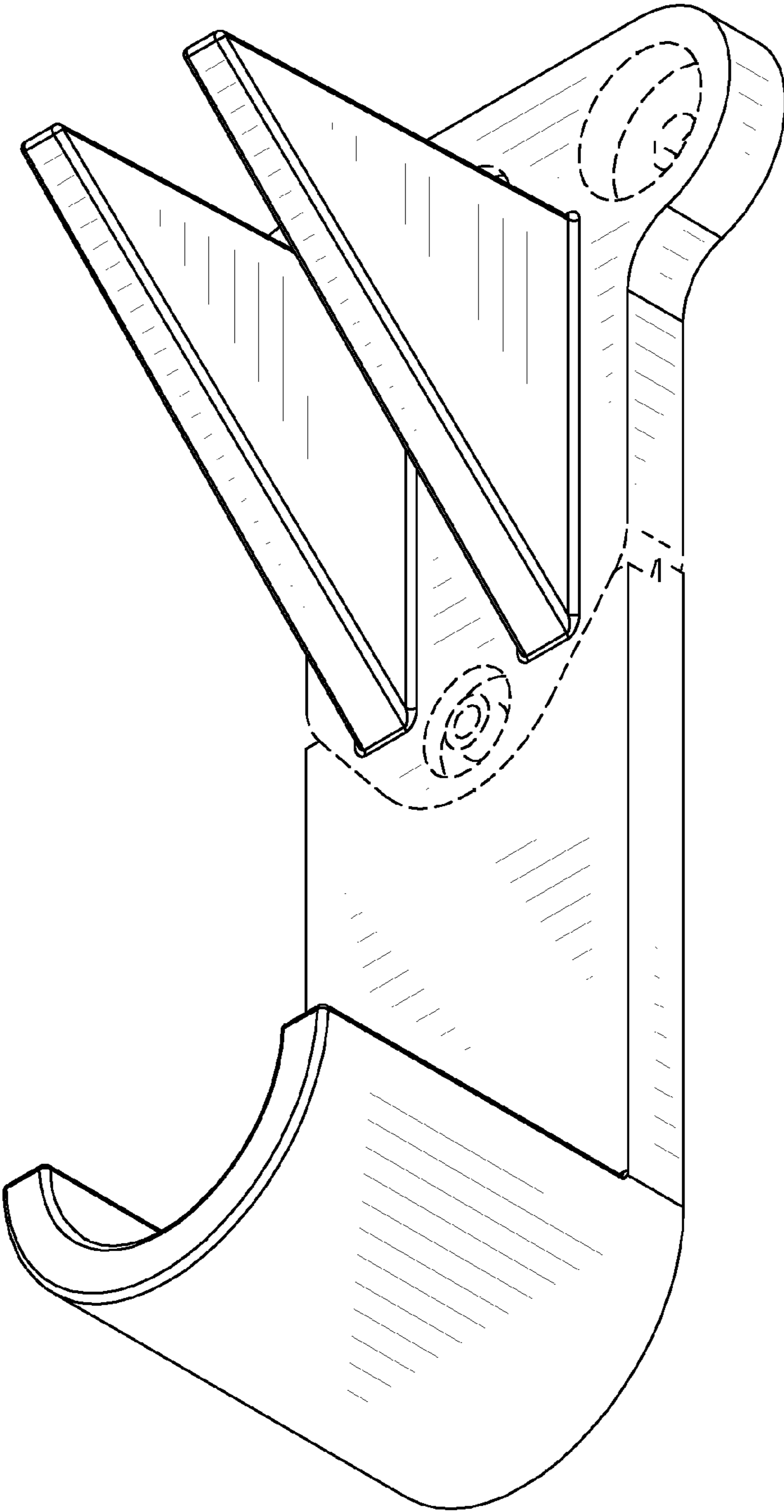


Fig. 2

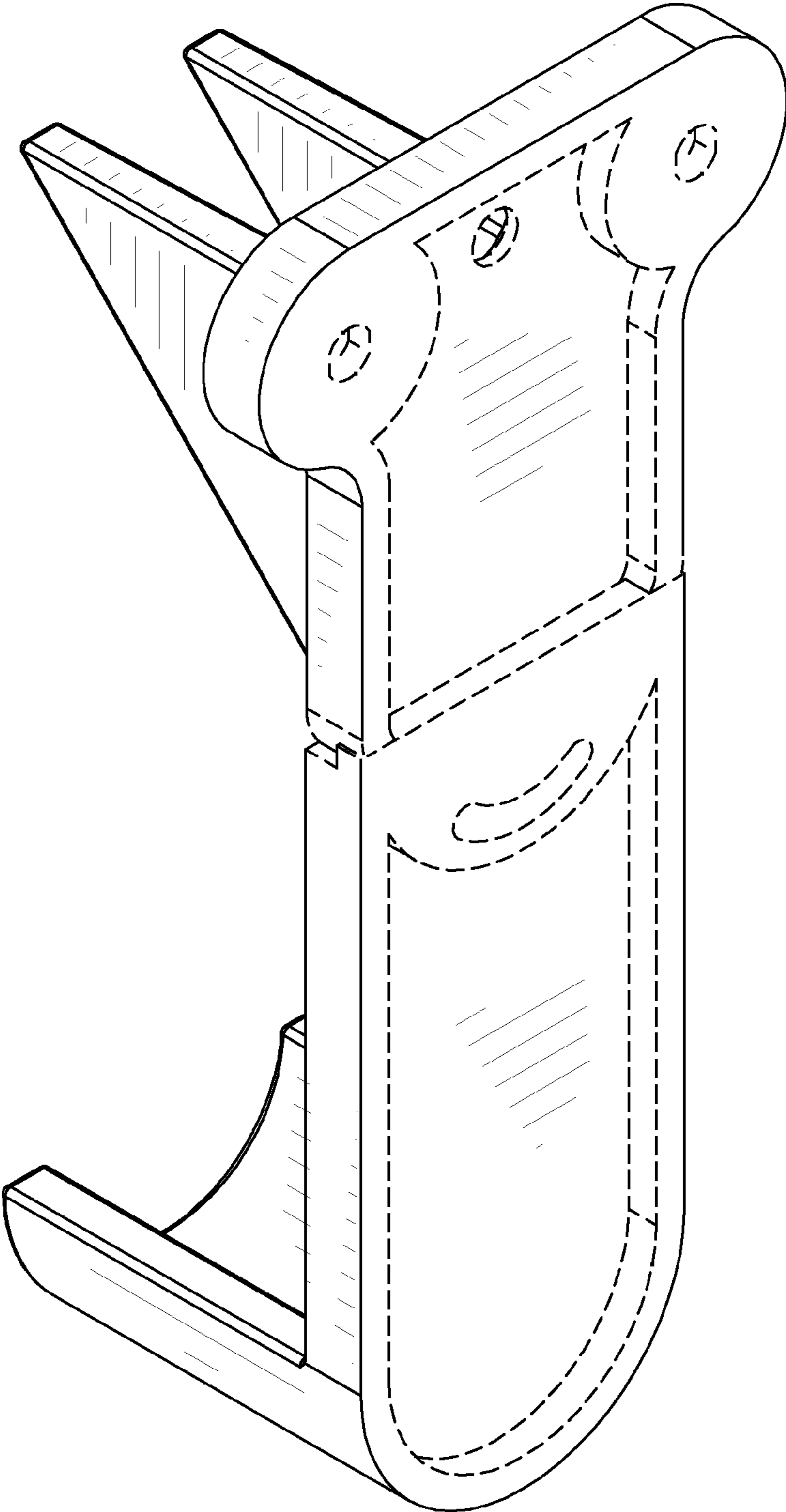


Fig. 3

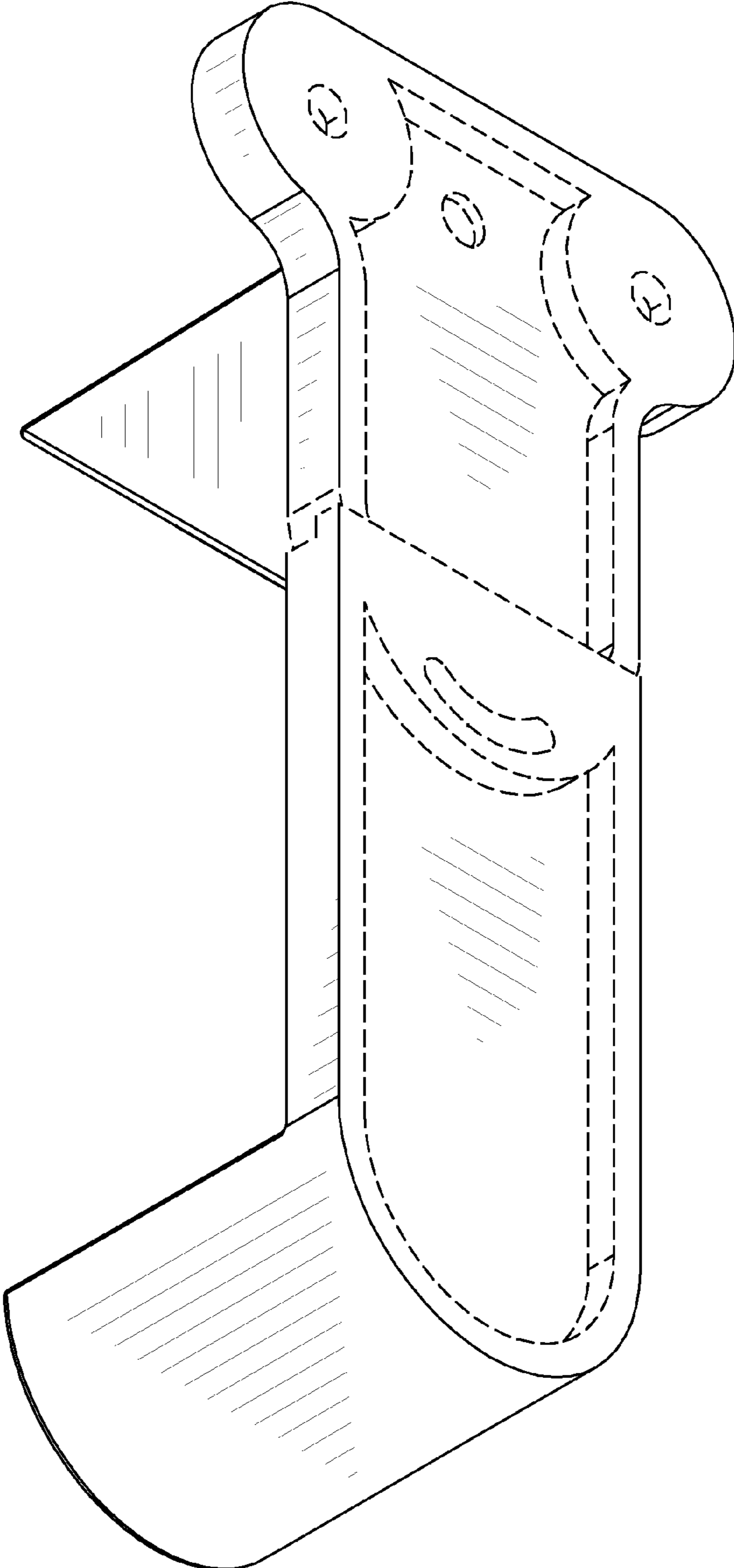


Fig. 4

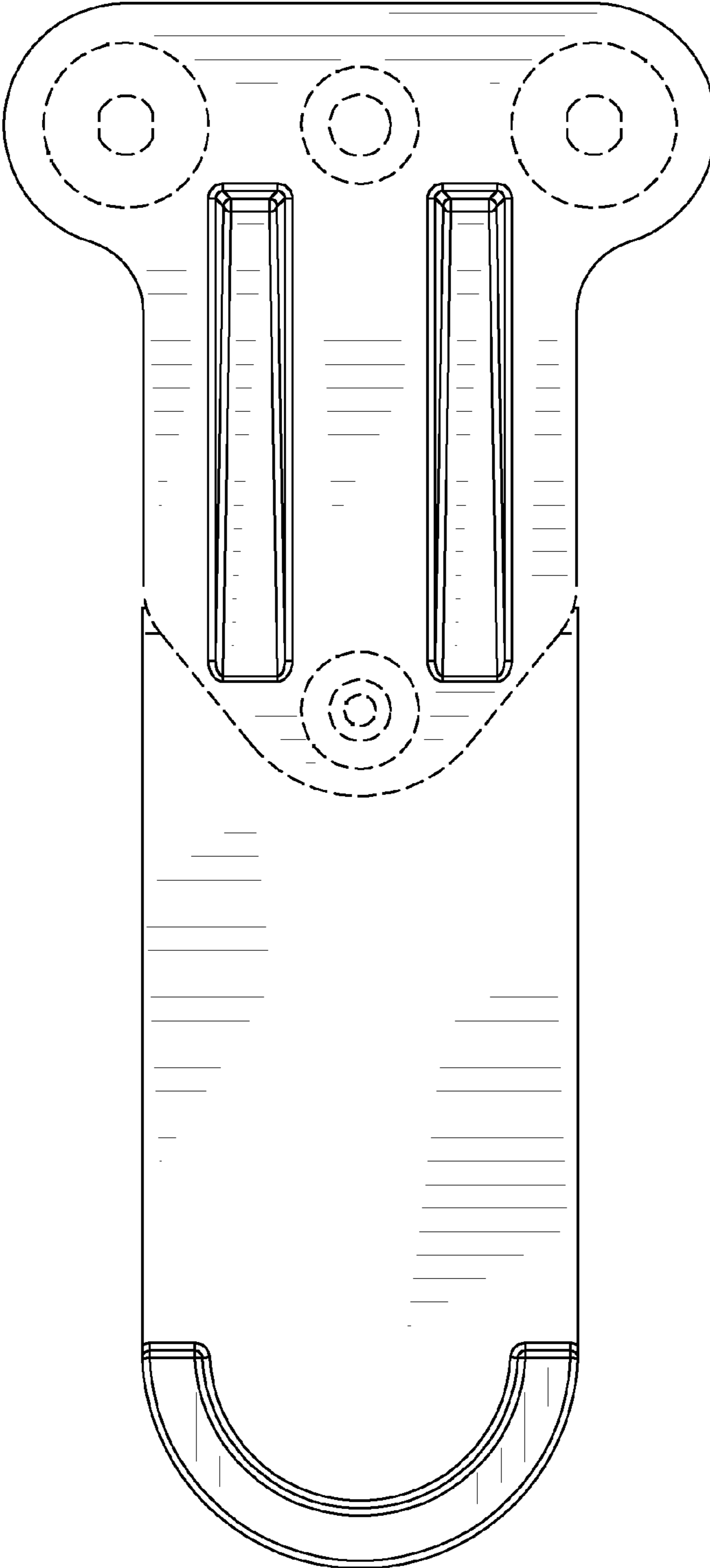


Fig. 5



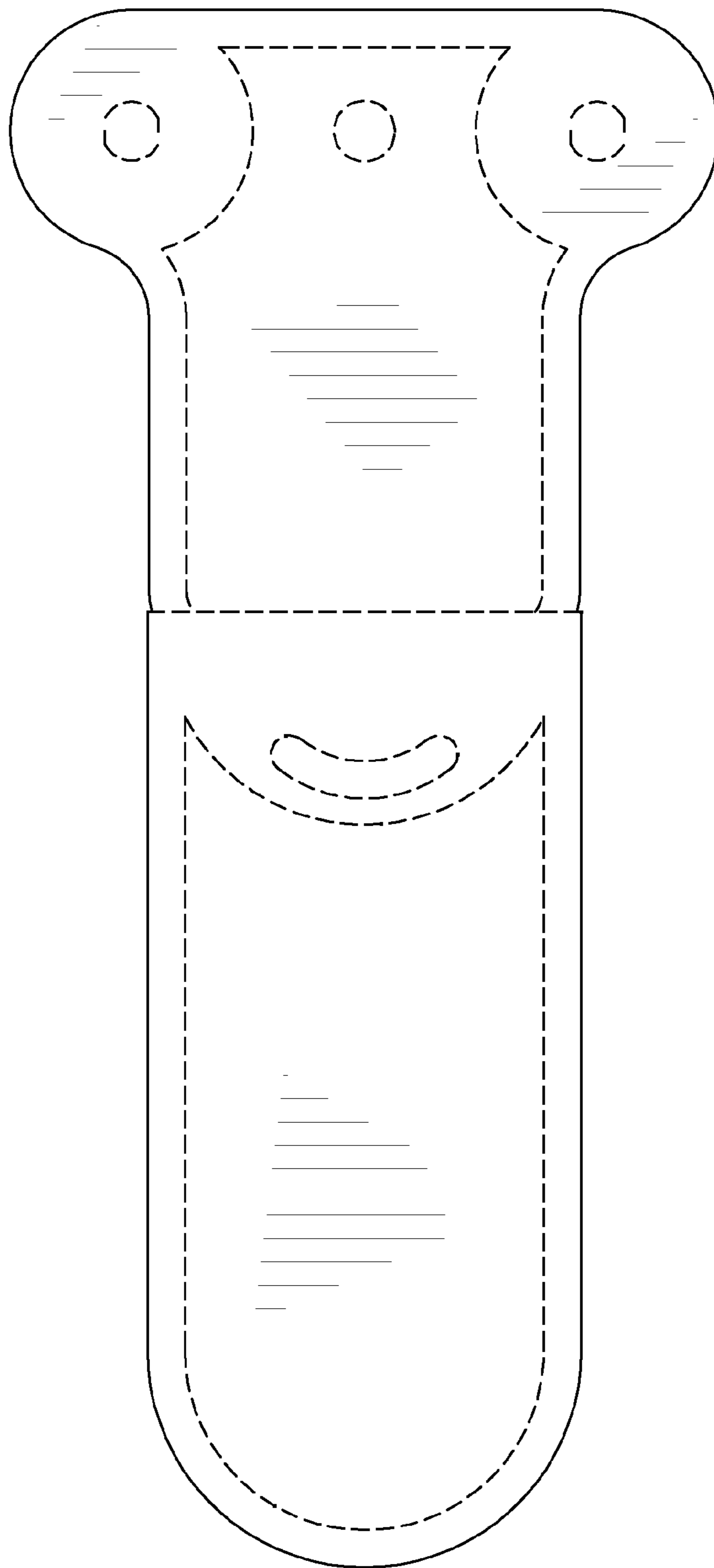


Fig. 6

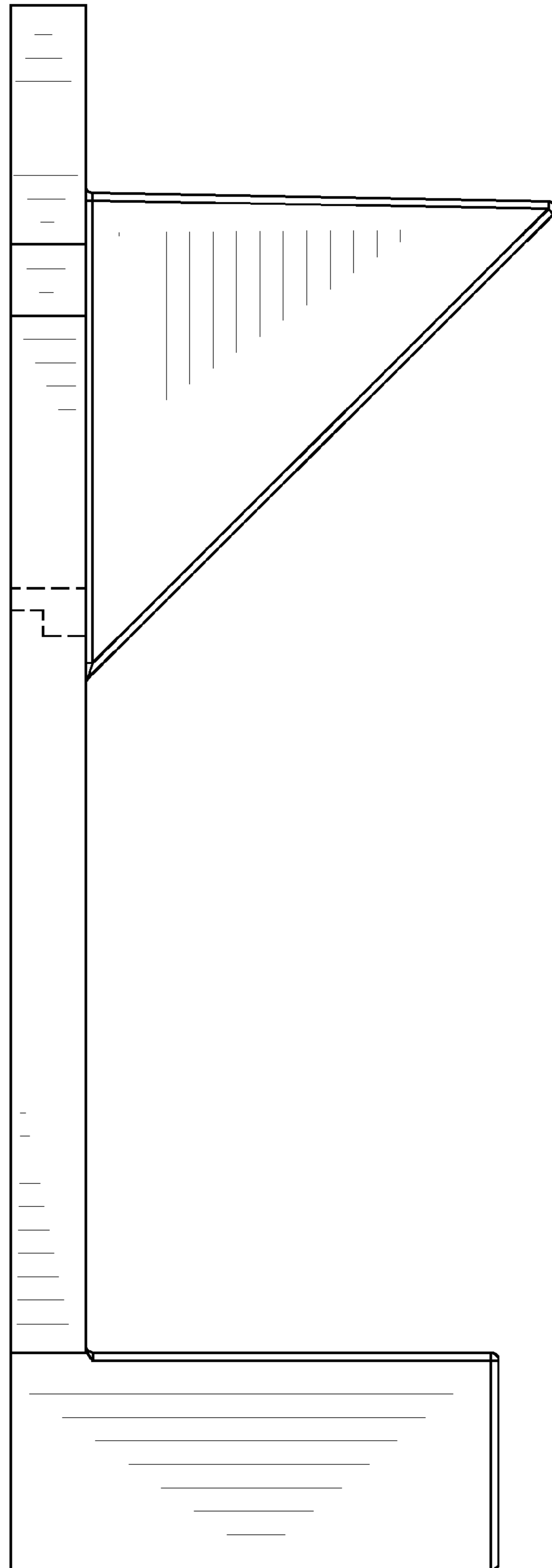


Fig. 7

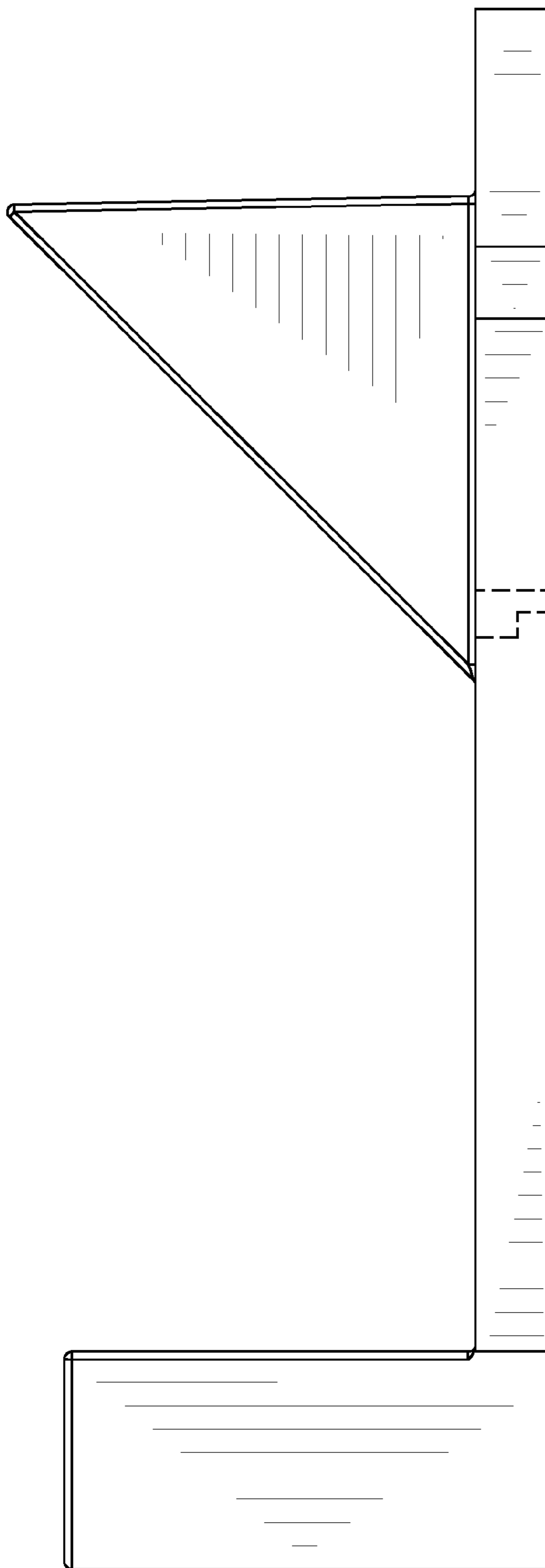


Fig. 8

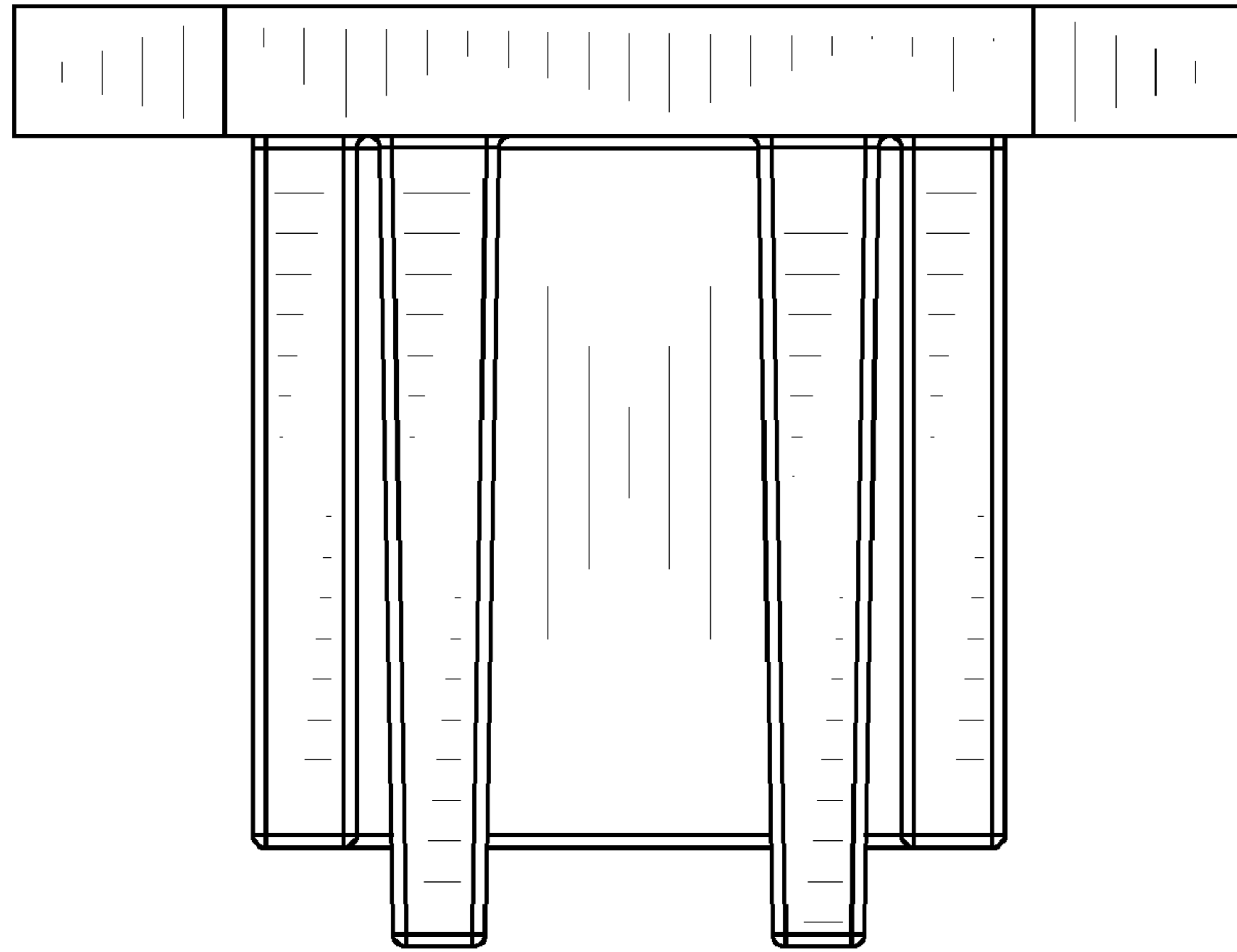


Fig. 9



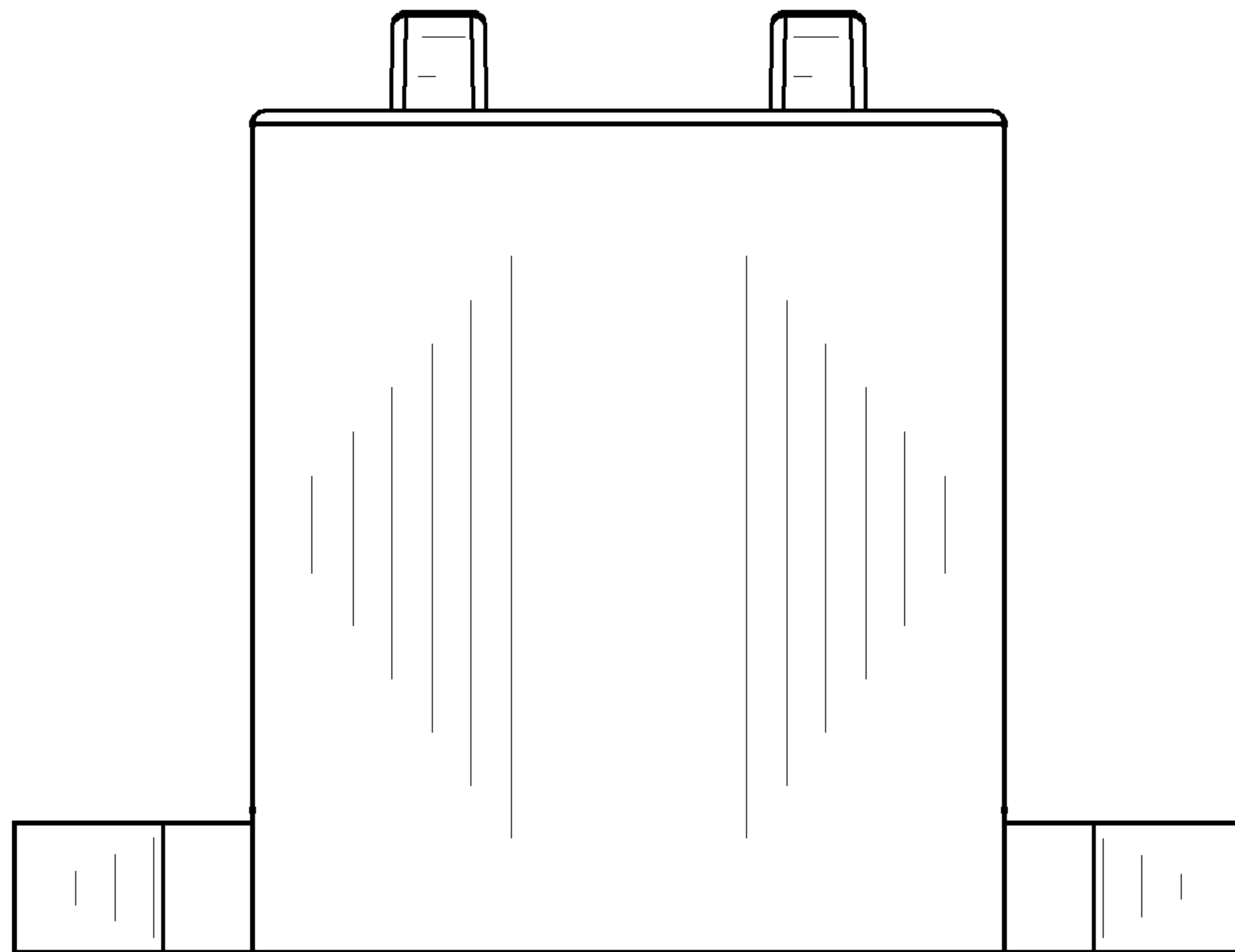


Fig. 10