



US00D606384S

(12) **United States Design Patent**  
**Antonic**

(10) **Patent No.:** **US D606,384 S**

(45) **Date of Patent:** **\*\* \*Dec. 22, 2009**

(54) **ANGLE BRACE**

(76) **Inventor:** **James P. Antonic**, 9111 Southmont  
Cove #406, Ft. Myers, FL (US) 33908

(\*\*) **Term:** **14 Years**

(21) **Appl. No.:** **29/310,863**

(22) **Filed:** **Sep. 15, 2008**

**Related U.S. Application Data**

(63) Continuation of application No. 11/116,769, filed on  
Apr. 28, 2005.

(51) **LOC (9) Cl.** ..... **08-05**

(52) **U.S. Cl.** ..... **D8/354**

(58) **Field of Classification Search** ..... D8/349,  
D8/354, 382; D25/102, 199; 52/102, 254,  
52/255, 264, 275, 287.1, 288.1, 631, 653.1,  
52/716; 248/188, 188.8; 403/205, 403  
See application file for complete search history.

(56) **References Cited**

**U.S. PATENT DOCUMENTS**

2,363,164	A	11/1944	Waller	
3,152,672	A	10/1964	Oppenhuizen et al.	
3,310,926	A	3/1967	Brandreth	
3,332,188	A	7/1967	Schaefer	
3,363,371	A	1/1968	Fajardo	
3,533,205	A	10/1970	Pestal	
4,107,893	A	8/1978	Rensch	
4,124,186	A *	11/1978	Call, Sr. ....	248/188
D256,663	S	9/1980	Gilb	
4,261,144	A	4/1981	Rizzo	
4,714,372	A	12/1987	Commins	
4,744,192	A	5/1988	Commins	
D297,502	S	9/1988	Archambeau	
4,812,075	A *	3/1989	Lavin, Sr. ....	403/403
5,069,263	A	12/1991	Edwards	
5,081,813	A	1/1992	White	
D342,662	S *	12/1993	Lavin, Sr. ....	D8/354
D349,166	S *	7/1994	Beard, Jr. ....	D25/102
5,390,460	A	2/1995	Llorens	
D358,755	S *	5/1995	Davis ....	D8/354

5,423,156	A	6/1995	Nellessen, Jr.	
D364,331	S *	11/1995	Leek .....	D8/354
D377,598	S *	1/1997	Beard, Jr. ....	D8/354
D378,422	S *	3/1997	Howe .....	D25/102
5,758,466	A	6/1998	Tucker	
D400,080	S *	10/1998	Beard, Jr. ....	D8/354
6,023,898	A	2/2000	Josey	

(Continued)

**OTHER PUBLICATIONS**

U.S. Appl. No. 29/310,862 (Inventor: James Antonic, filed Sep. 15,  
2008).

(Continued)

*Primary Examiner*—Holly H Baynham  
*Assistant Examiner*—Cynthia M Chin  
(74) *Attorney, Agent, or Firm*—Laura G. Barrow

(57) **CLAIM**

The ornamental design of an angle brace, as shown and  
described.

**DESCRIPTION**

FIG. 1 is a perspective view of the angle brace showing my  
new design.

FIG. 2 is a front view of the design shown in FIG. 1.

FIG. 3 is a rear elevation of the design shown in FIG. 1.

FIG. 4 is a left side view of the design shown in FIG. 1.

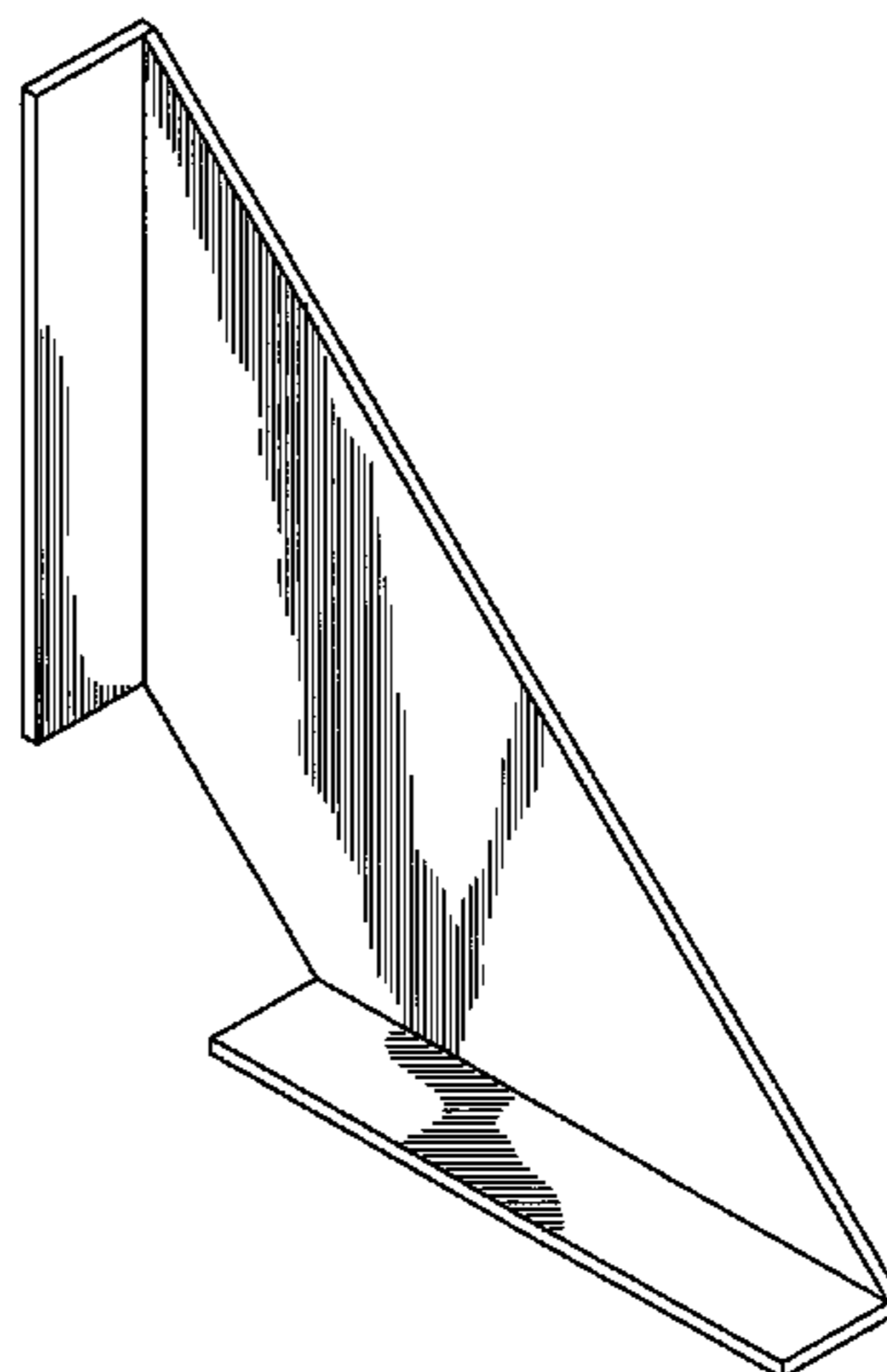
FIG. 5 is a right side view of the design shown in FIG. 1.

FIG. 6 is a top plan view of the design shown in FIG. 1; and,

FIG. 7 is a bottom plan view of the design shown in FIG. 1.

The shading lines shown in all of the drawings represent the  
three-dimensional contour of the designs, and thus are not  
intended to indicate surface decoration.

**1 Claim, 3 Drawing Sheets**



# US D606,384 S

Page 2

## U.S. PATENT DOCUMENTS

D443,810 S \* 6/2001 Ausilio ..... D8/354  
D473,123 S \* 4/2003 Anderson ..... D8/354  
6,655,096 B1 12/2003 Pryor  
D492,889 S 7/2004 Craine  
D500,667 S 1/2005 Murphy et al.  
6,837,019 B2 1/2005 Collie  
D523,565 S 6/2006 Antonic  
D537,537 S 2/2007 Antonic  
D540,479 S 4/2007 Antonic  
D544,784 S 6/2007 Antonic  
D549,851 S 8/2007 Antonic  
D552,947 S 10/2007 Ewasiuk  
D553,261 S 10/2007 Antonic  
D553,761 S 10/2007 Antonic  
D554,273 S 10/2007 Antonic  
D554,773 S 11/2007 Antonic  
D554,774 S 11/2007 Antonic  
D554,775 S 11/2007 Antonic  
D555,259 S 11/2007 Antonic  
D555,467 S 11/2007 Pecoraro  
D561,353 S 2/2008 Antonic  
D561,354 S 2/2008 Antonic  
D561,355 S 2/2008 Antonic  
D574,518 S 8/2008 Antonic

D581,253 S 11/2008 Antonic  
D588,440 S 3/2009 Antonic  
2002/0066245 A1 6/2002 Pryor  
2003/0029124 A1 2/2003 Wise  
2003/0217521 A1 11/2003 Richardson et al.  
2004/0107653 A1 6/2004 Collie  
2004/0163355 A1 8/2004 Collie  
2004/0227039 A1\* 11/2004 Real et al. .... 248/188.8  
2005/0011157 A1 1/2005 Lutz et al.  
2006/0156660 A1\* 7/2006 Stateson ..... 52/275  
2007/0051059 A1 3/2007 Ahearn  
2007/0094992 A1 5/2007 Antonic  
2007/0193143 A1 8/2007 Antonic  
2008/0236058 A1 10/2008 Antonie

## OTHER PUBLICATIONS

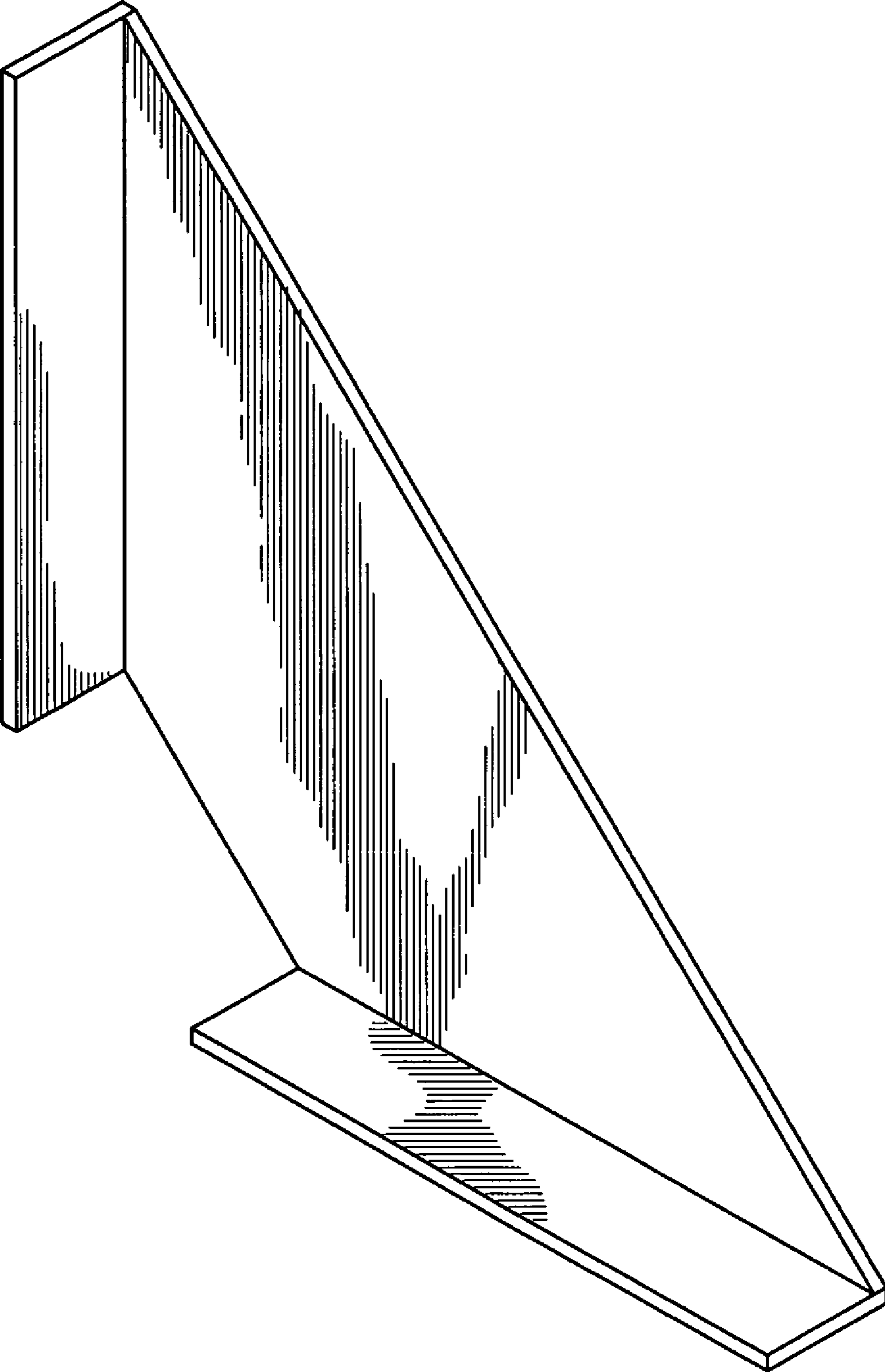
U.S. Appl. No. 29/273,324 (Inventor: James Antonic, filed Mar. 2, 2007).

Office action (relevant pages) for U.S. Appl. No. 29/273,324 (Dec. 22, 2008).

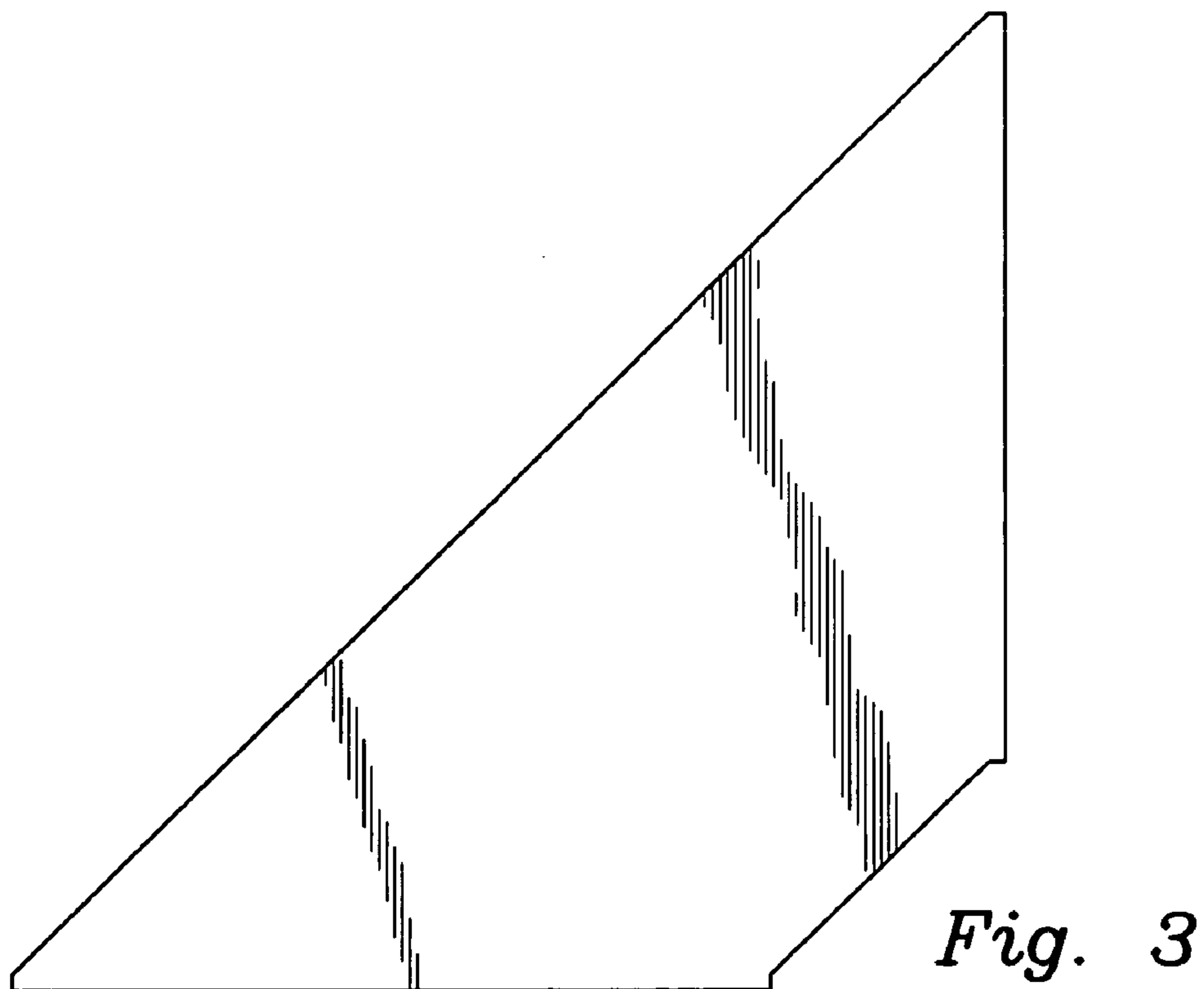
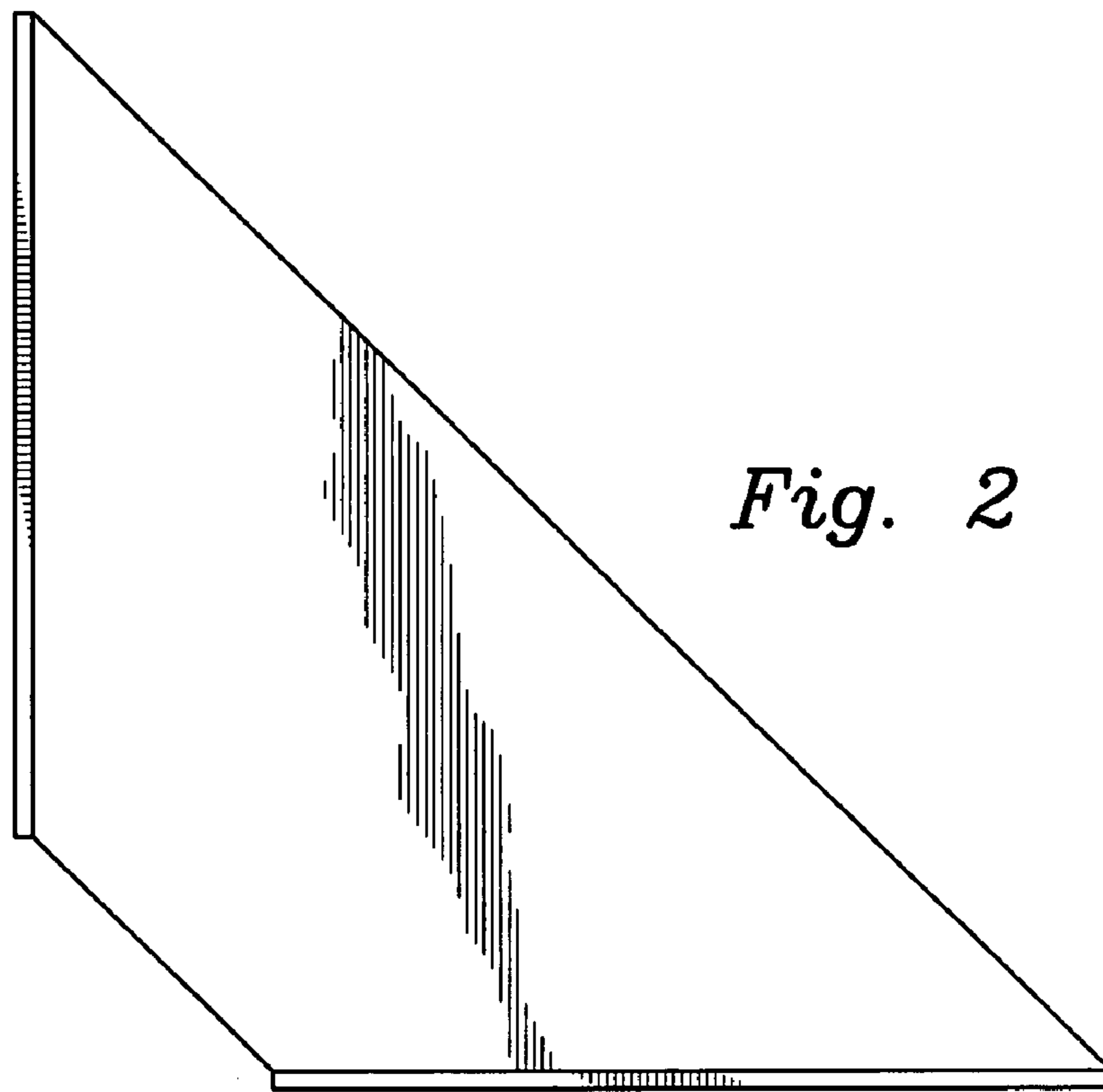
Office action (relevant pages) for parent case U.S. Appl. No. 11/116,769 (Pub. No. 2006/0254167).

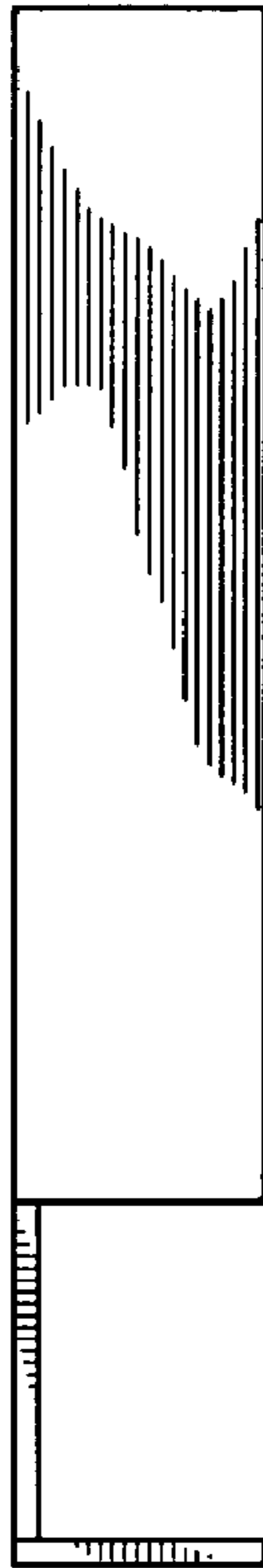
PCT International Search Report for PCT/US2007/26401 - relevant pages (Date: Jun. 12, 2008).

\* cited by examiner

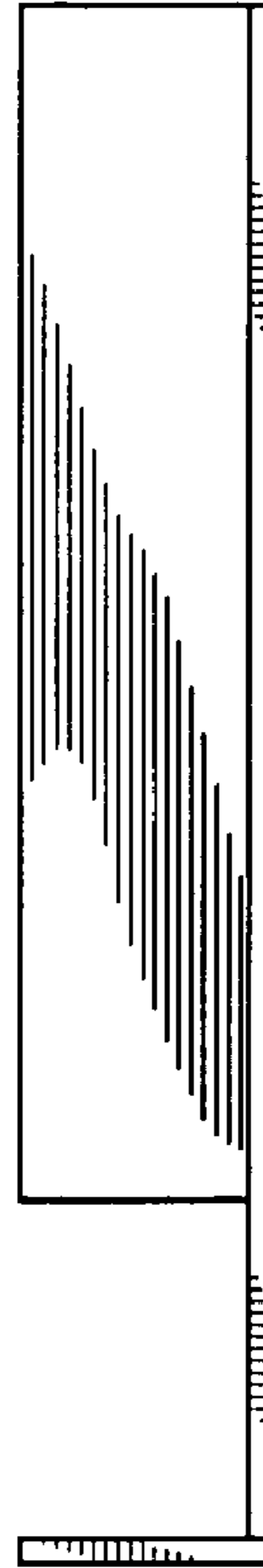


*Fig. 1*

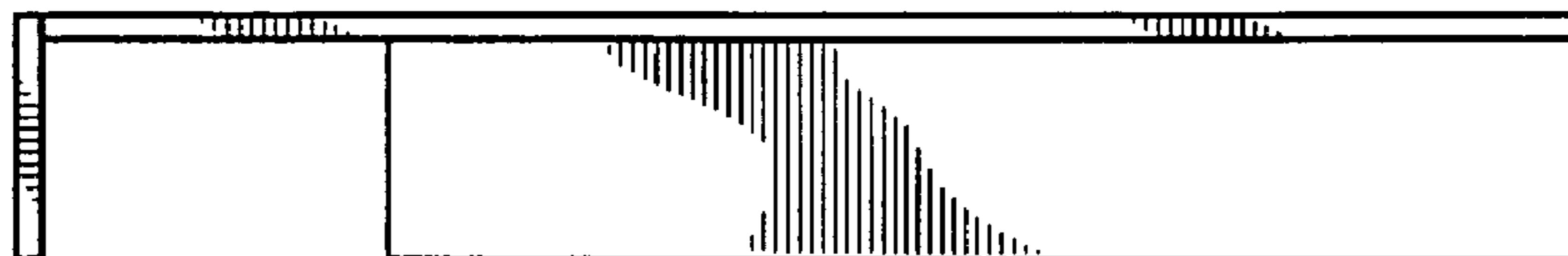




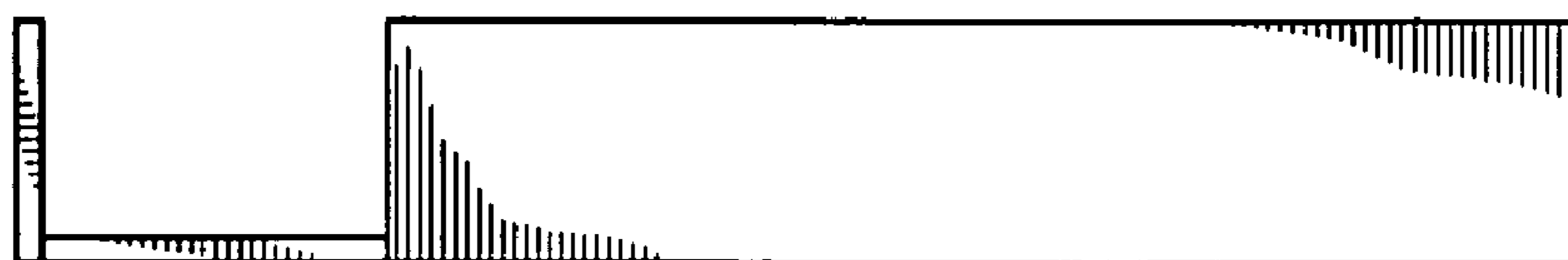
*Fig. 4*



*Fig. 5*



*Fig. 6*



*Fig. 7*