



US00D606383S

(12) **United States Design Patent**
Henin

(10) **Patent No.:** **US D606,383 S**
(45) **Date of Patent:** **** Dec. 22, 2009**

(54) **LAVATORY PARTITION DOOR LATCH
HARDWARE**

(76) Inventor: **Kirk Henin**, 4 Harbor Park Dr., Port
Washington, NY (US) 11050

(**) Term: **14 Years**

(21) Appl. No.: **29/313,310**

(22) Filed: **Dec. 26, 2008**

(51) **LOC (9) Cl.** **08-07**

(52) **U.S. Cl.** **D8/338; D8/331**

(58) **Field of Classification Search** D8/338,
D8/300-310, 331-337, 339-348; 70/84,
70/90, 101, 141, 208, 286, 287; 292/95,
292/175, 202, 241, 242, 336.3

See application file for complete search history.

(56) **References Cited**

U.S. PATENT DOCUMENTS

D314,129 S * 1/1991 Zanini D8/301

(Continued)

OTHER PUBLICATIONS

Robert Brooke & Associates—2007 Product Catalog: p. 54, Item
Nos. 9HACL3A and 9AA104A, p. 56, Item Nos. 9FL325 and
9FL325A, p. 57, Item Nos. 96318AA, 92500C, 9G0139, and
9G013A p. 58, Item Nos. 9HH100, 9K0250A, and 9HH110 p. 59,
Item Nos. 9S8819.

Primary Examiner—Prabhakar Deshmukh

Assistant Examiner—Derrick Holland

(74) *Attorney, Agent, or Firm*—Collard & Roe, P.C.

(57) **CLAIM**

The ornamental design for lavatory partition door latch hard-
ware, as shown and described.

DESCRIPTION

FIG. 1 is a top perspective view of a lavatory partition door
latch hardware showing my new design;

FIG. 2 is a bottom perspective view thereof;

FIG. 3 is a top plan view thereof;

FIG. 4 is a side view thereof;

FIG. 5 is a bottom plan view thereof;

FIG. 6 is a side view thereof, rotated 90 degrees clockwise
from FIG. 4;

FIG. 7 is a side view thereof, rotated 180 degrees clockwise
from FIG. 4;

FIG. 8 is a side view thereof, rotated 270 degrees clockwise
from FIG. 4;

FIG. 9 is a top perspective view of the latch knob shown
separate for ease of illustration;

FIG. 10 is a bottom perspective view thereof;

FIG. 11 is a top plan view thereof;

FIG. 12 is a side view thereof;

FIG. 13 is a bottom plan view thereof;

FIG. 14 is a side view thereof, rotated 90 degrees clockwise
from FIG. 12;

FIG. 15 is a side view thereof, rotated 180 degrees clockwise
from FIG. 12;

FIG. 16 is a side view thereof, rotated 270 degrees clockwise
from FIG. 12;

FIG. 17 is a top perspective view of the latch cover shown
separate for ease of illustration;

FIG. 18 is a bottom perspective view thereof;

FIG. 19 is a bottom plan view thereof;

FIG. 20 is a side view thereof;

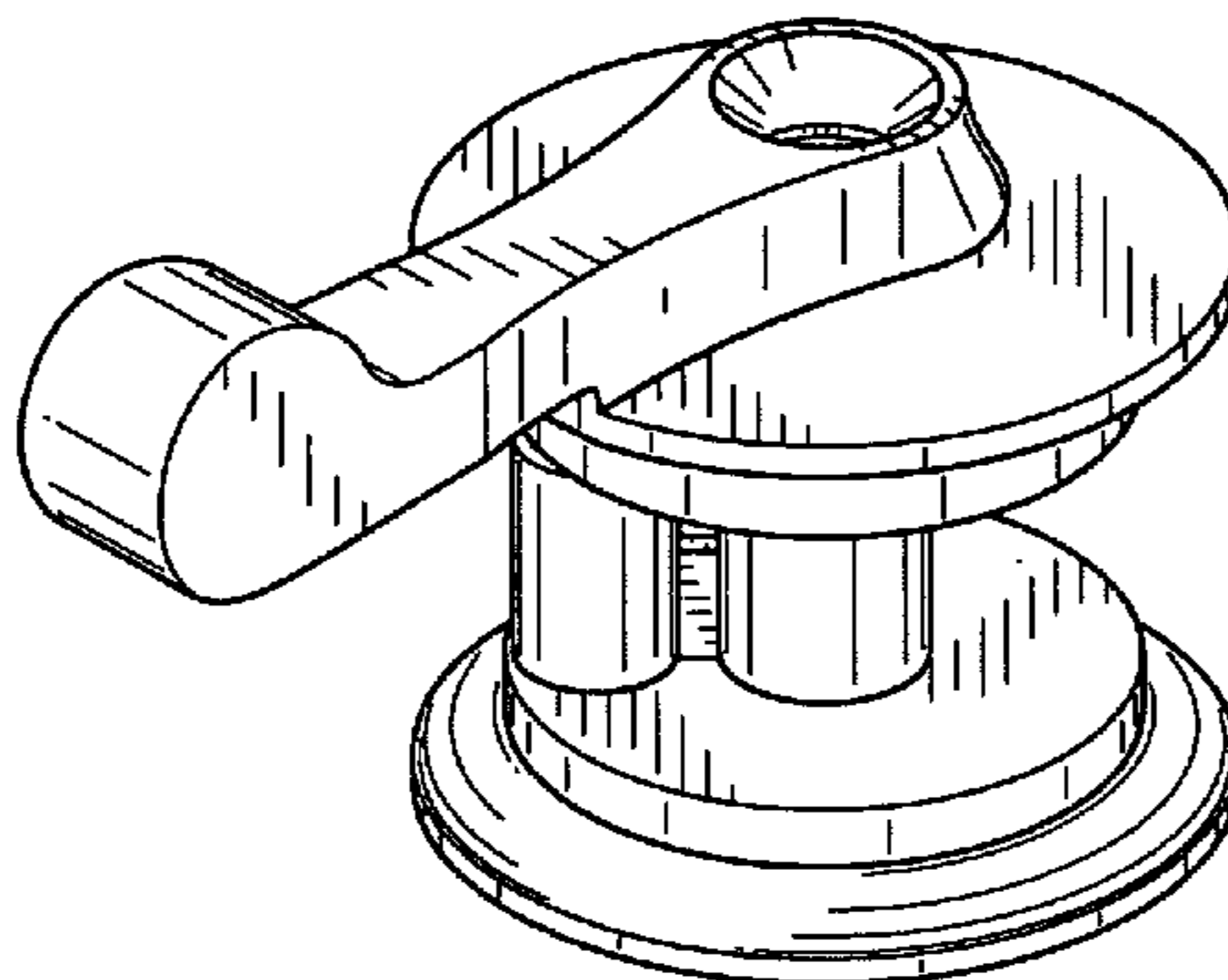
FIG. 21 is a top plan view thereof;

FIG. 22 is a side view thereof, rotated 90 degrees clockwise
from FIG. 20;

FIG. 23 is a side view thereof, rotated 180 degrees clockwise
from FIG. 20; and,

FIG. 24 is a side view thereof, rotated 270 degrees clockwise
from FIG. 20.

1 Claim, 9 Drawing Sheets



US D606,383 S

Page 2

U.S. PATENT DOCUMENTS

D393,197 S *	4/1998	Burnley	D8/331	D495,230 S *	8/2004	Madlem et al.	D8/301
D436,831 S *	1/2001	Pinkow et al.	D8/306	6,871,886 B2 *	3/2005	Coleman et al.	292/241
6,494,509 B2 *	12/2002	Molzer	292/336.3	6,983,963 B2 *	1/2006	Eslick et al.	292/242
6,588,150 B1 *	7/2003	Wong et al.	49/183	D527,613 S *	9/2006	Omangi et al.	D8/331
				D528,899 S *	9/2006	Bell et al.	D8/331

* cited by examiner

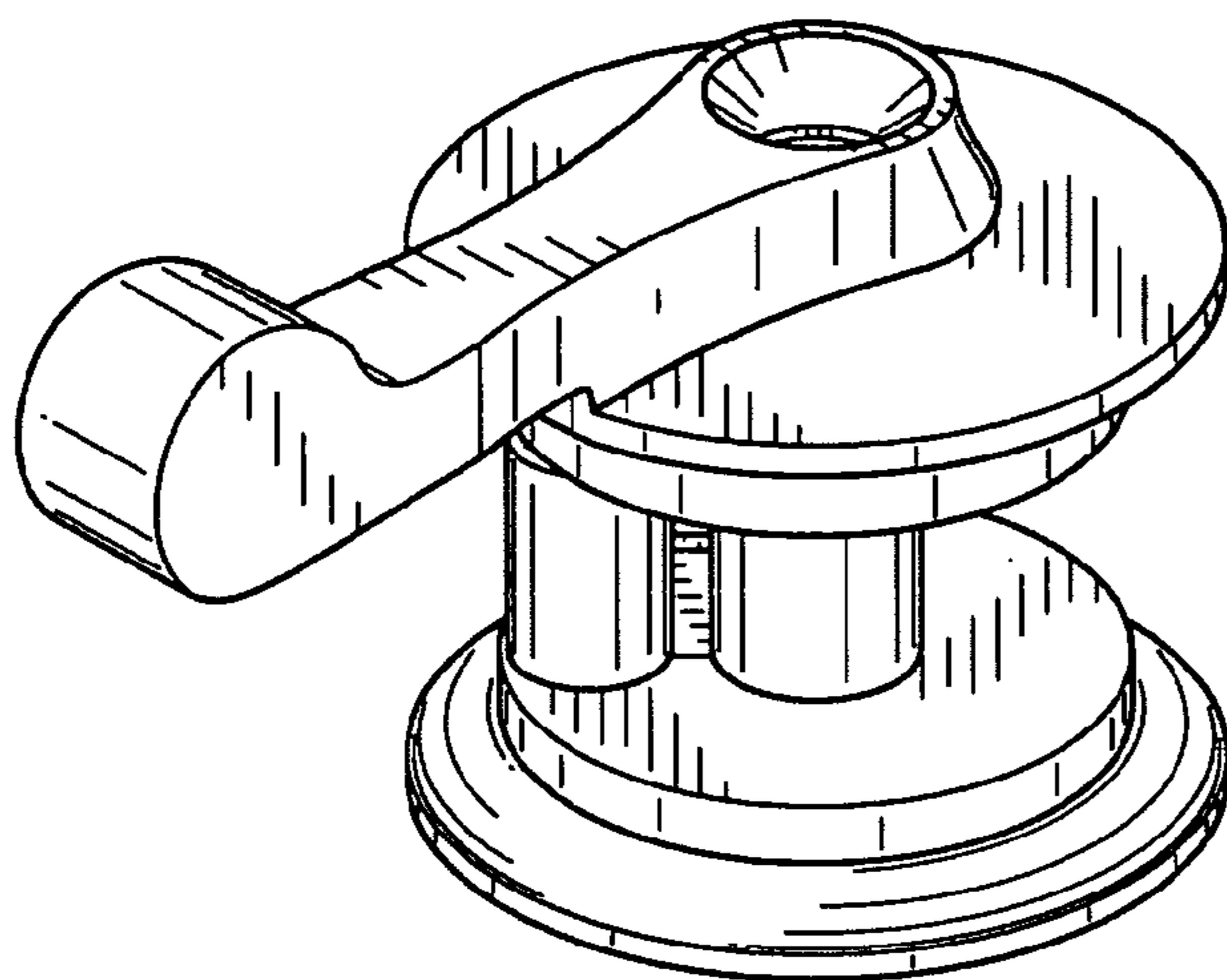


FIG. 1

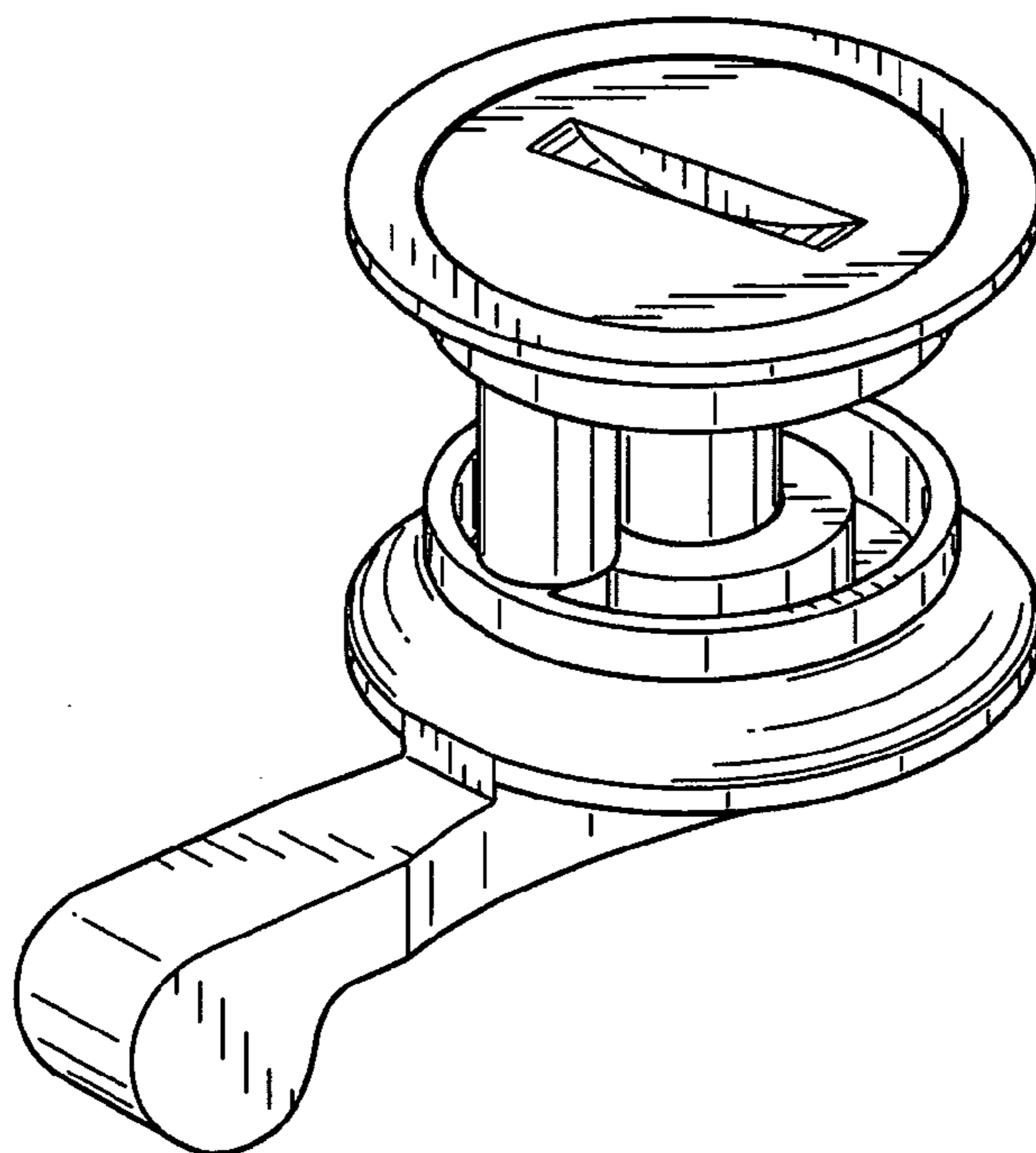


FIG. 2

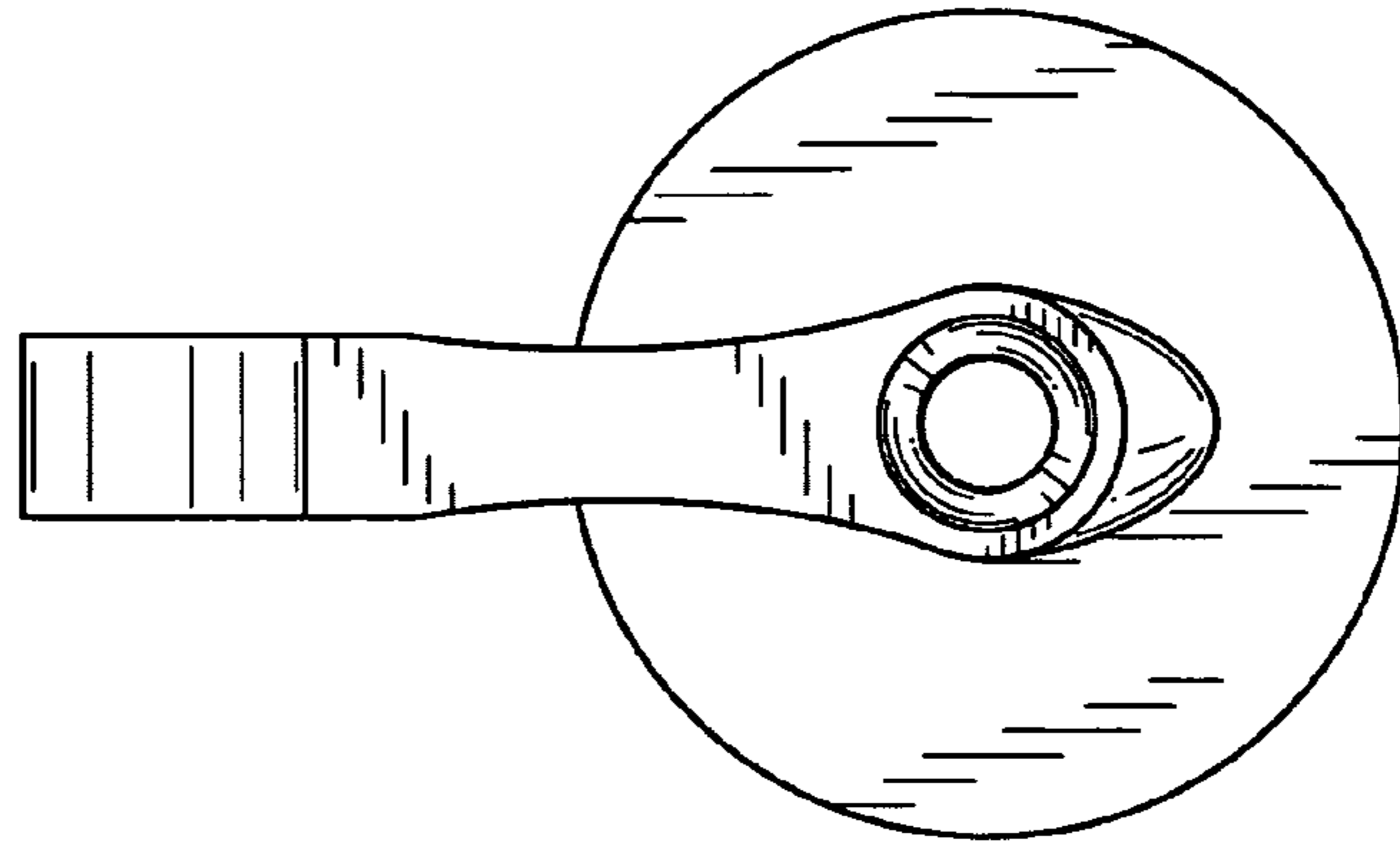


FIG. 3

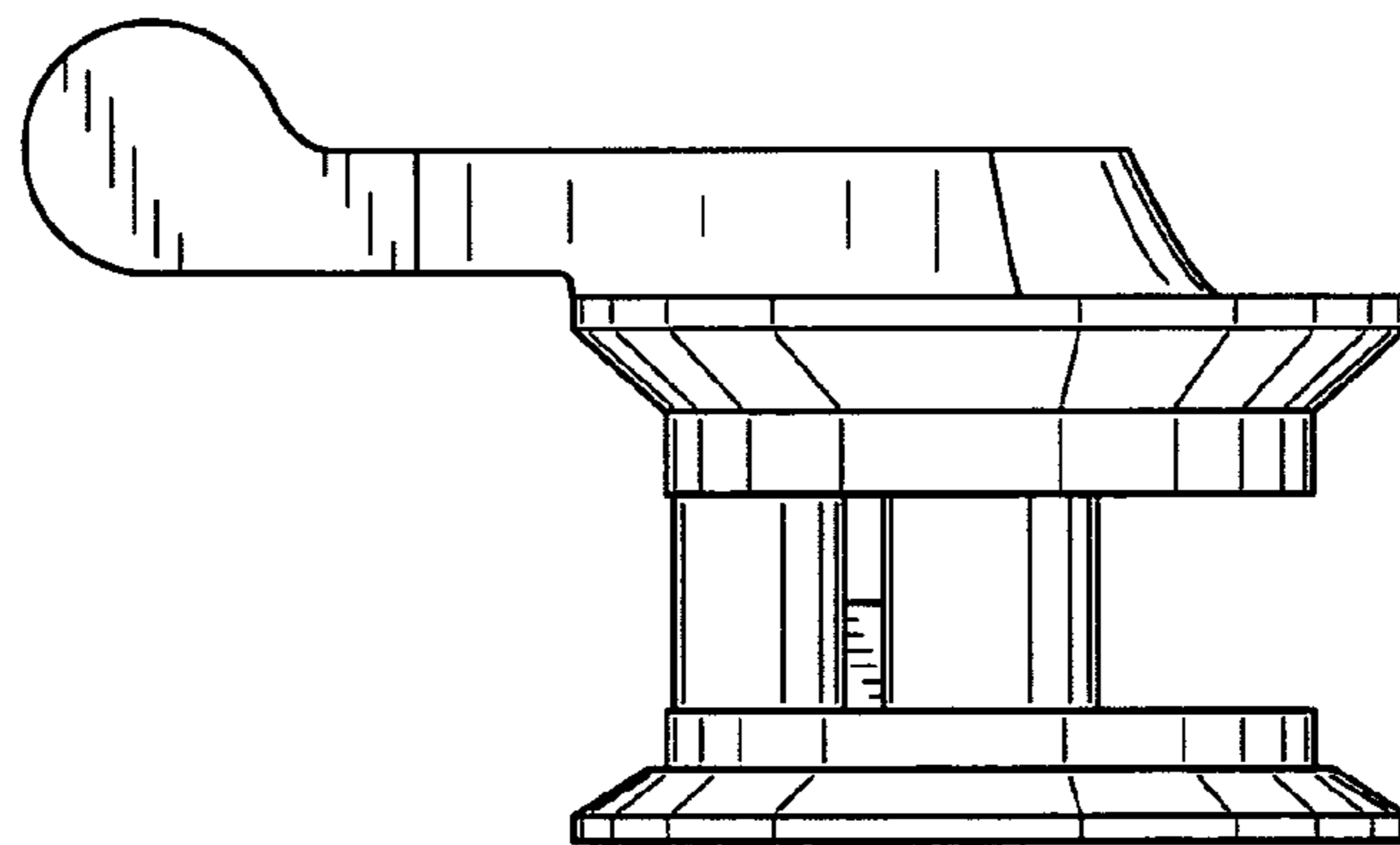


FIG. 4

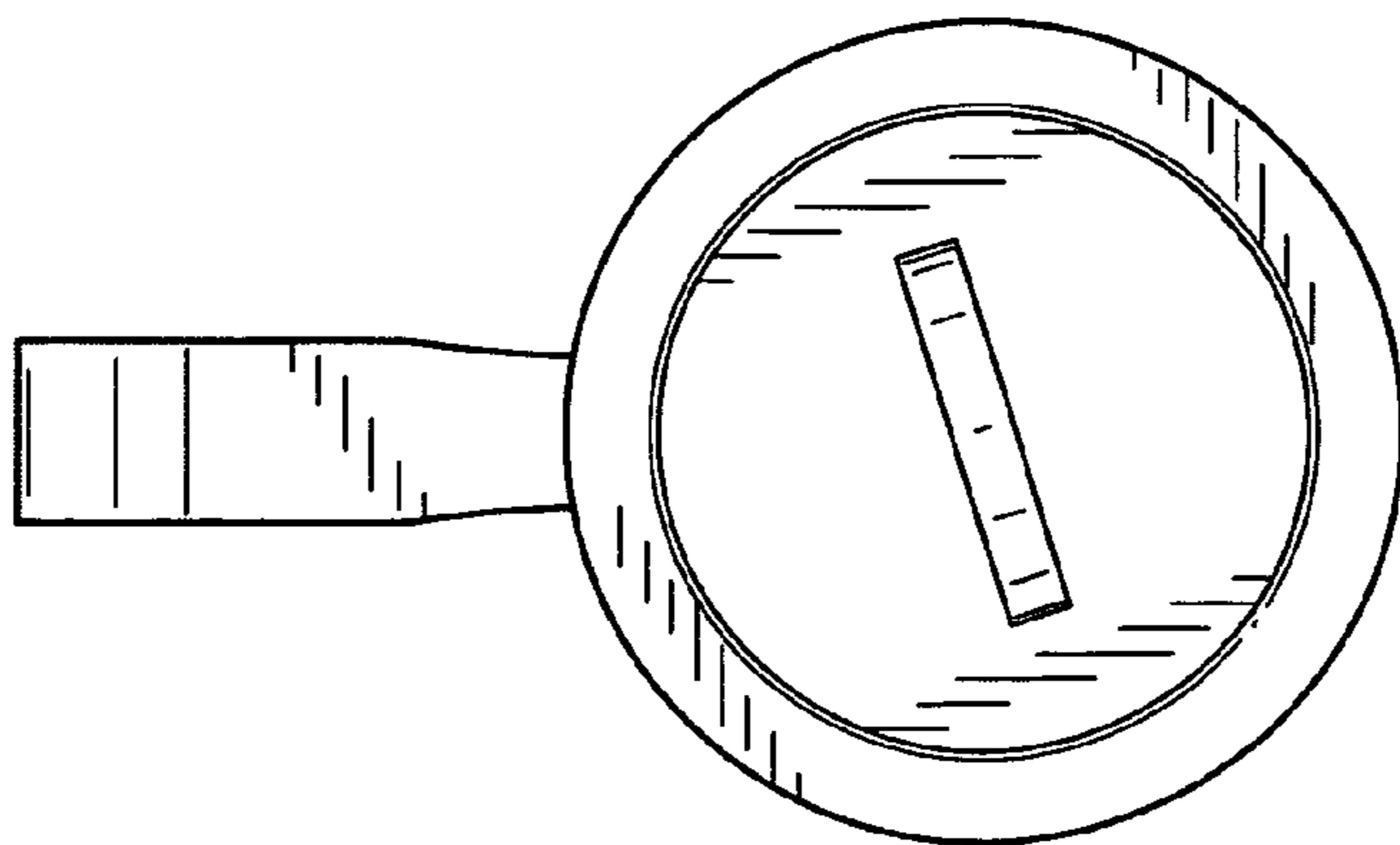


FIG. 5

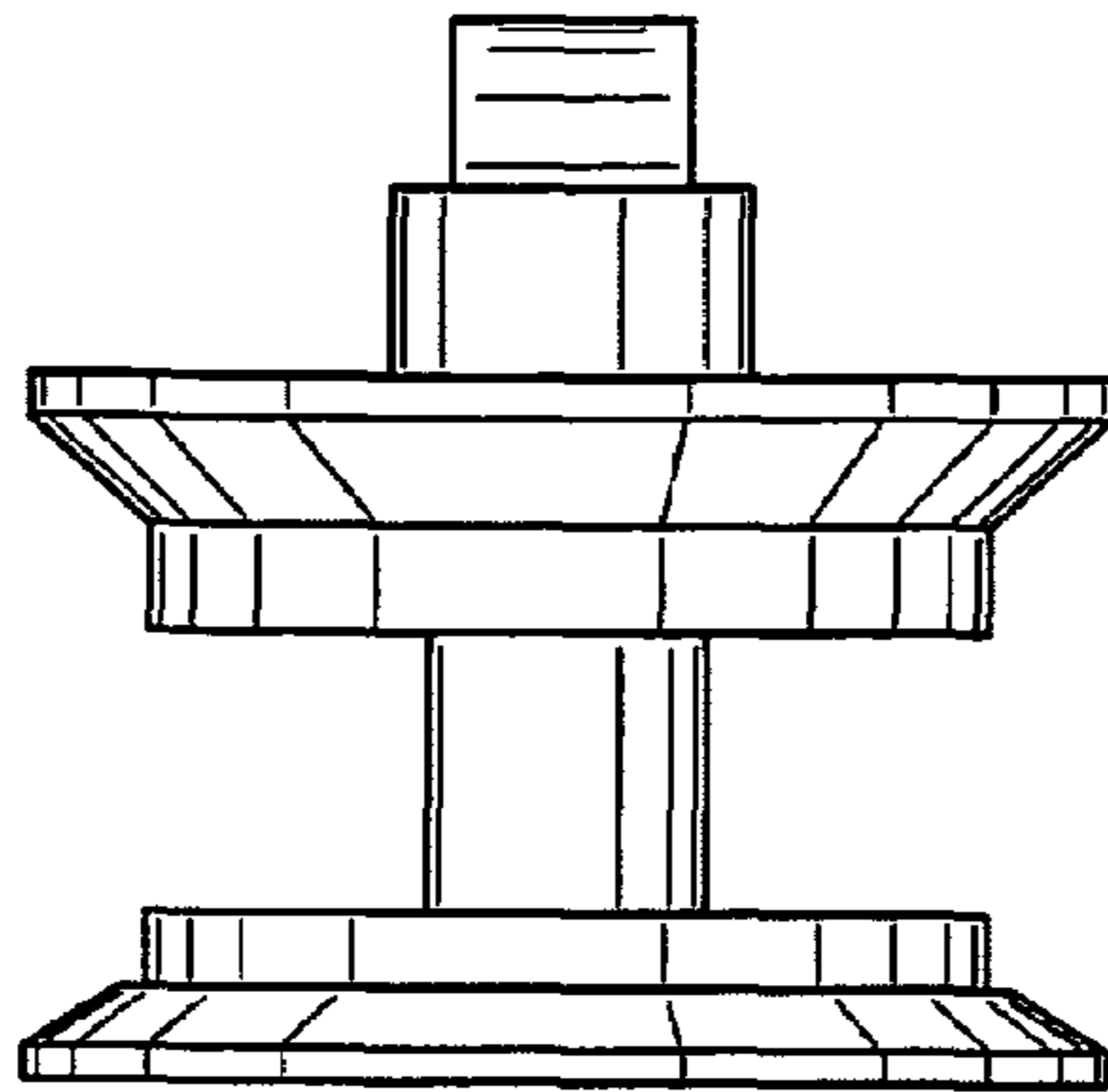


FIG. 6

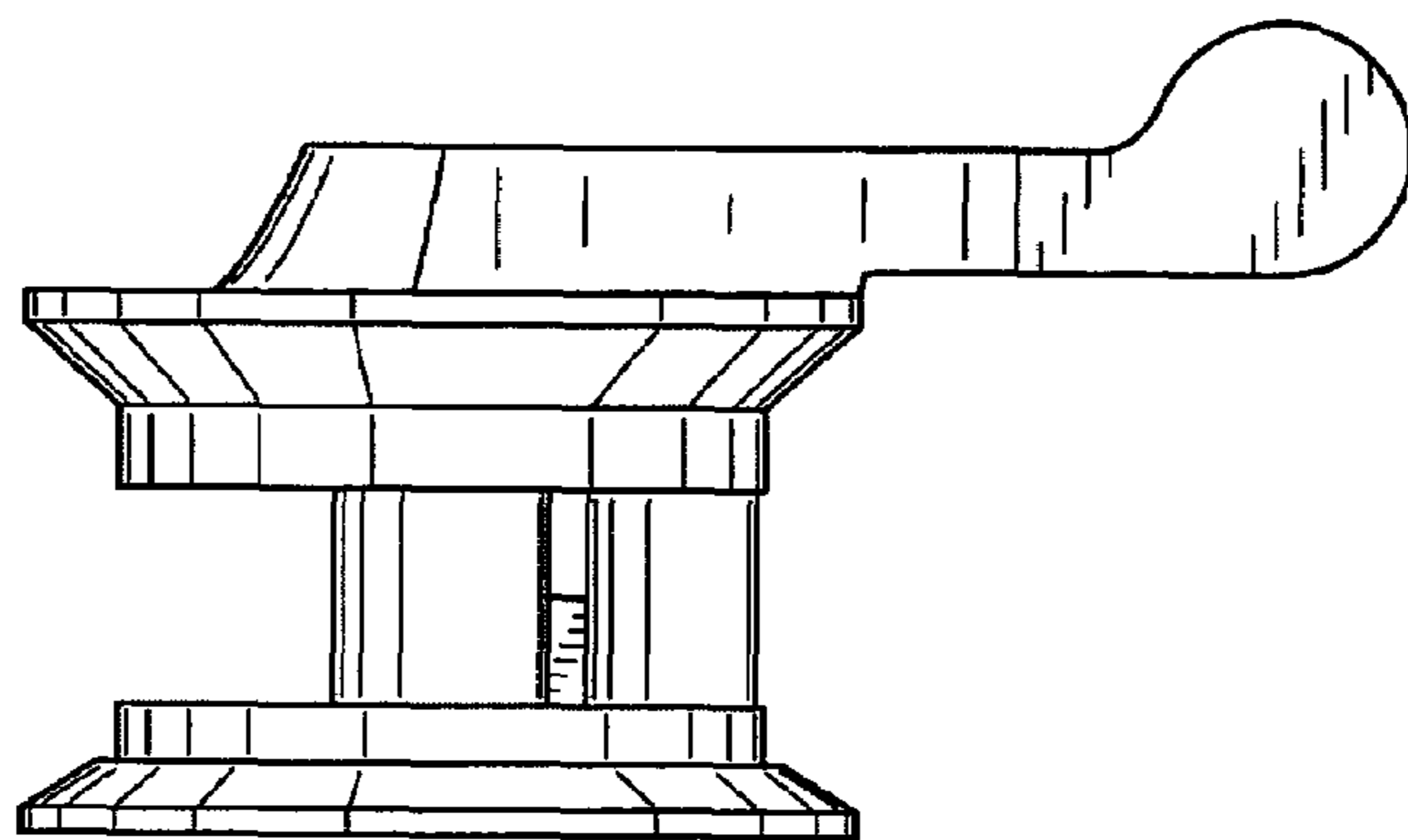


FIG. 7

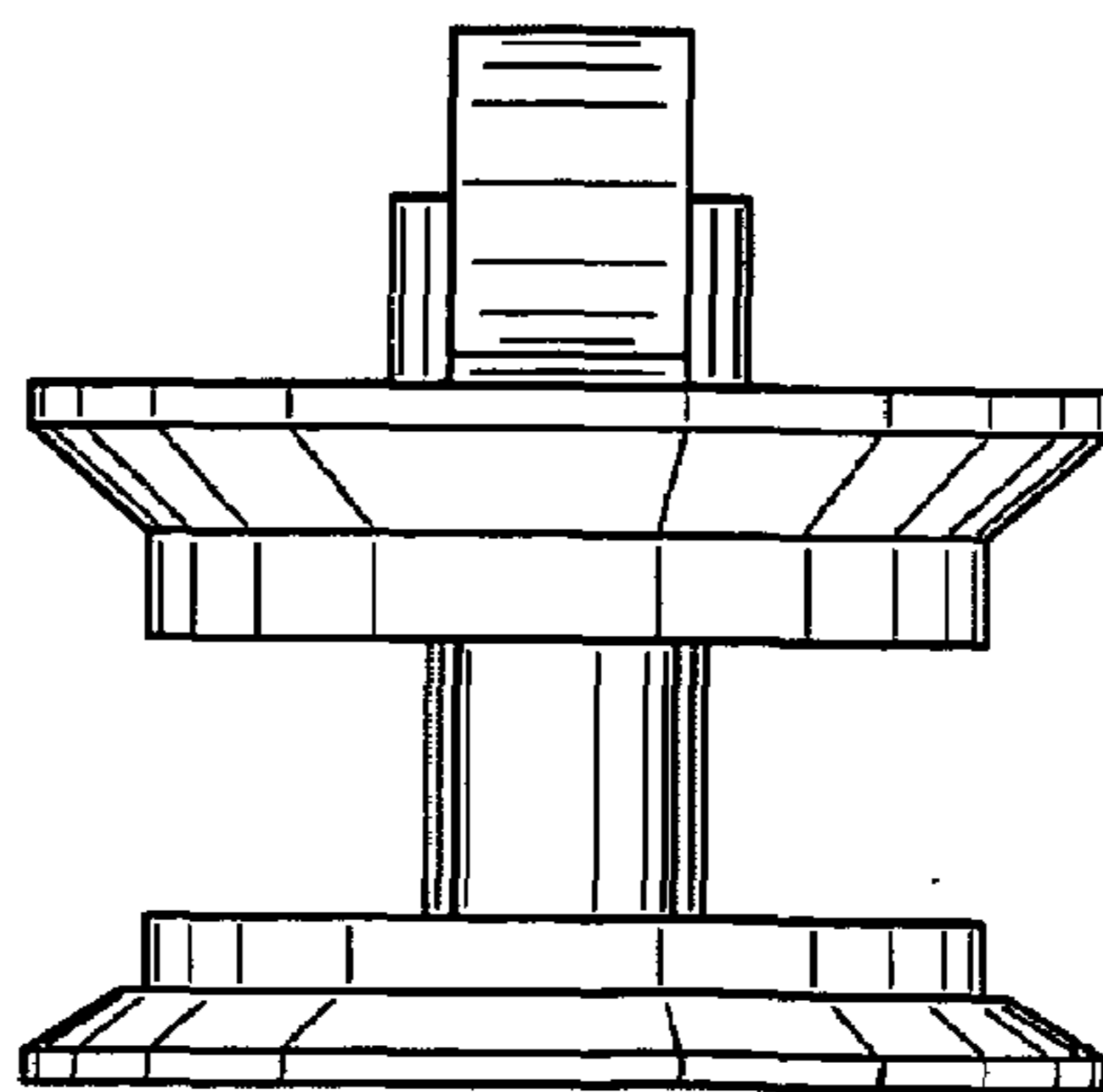


FIG. 8

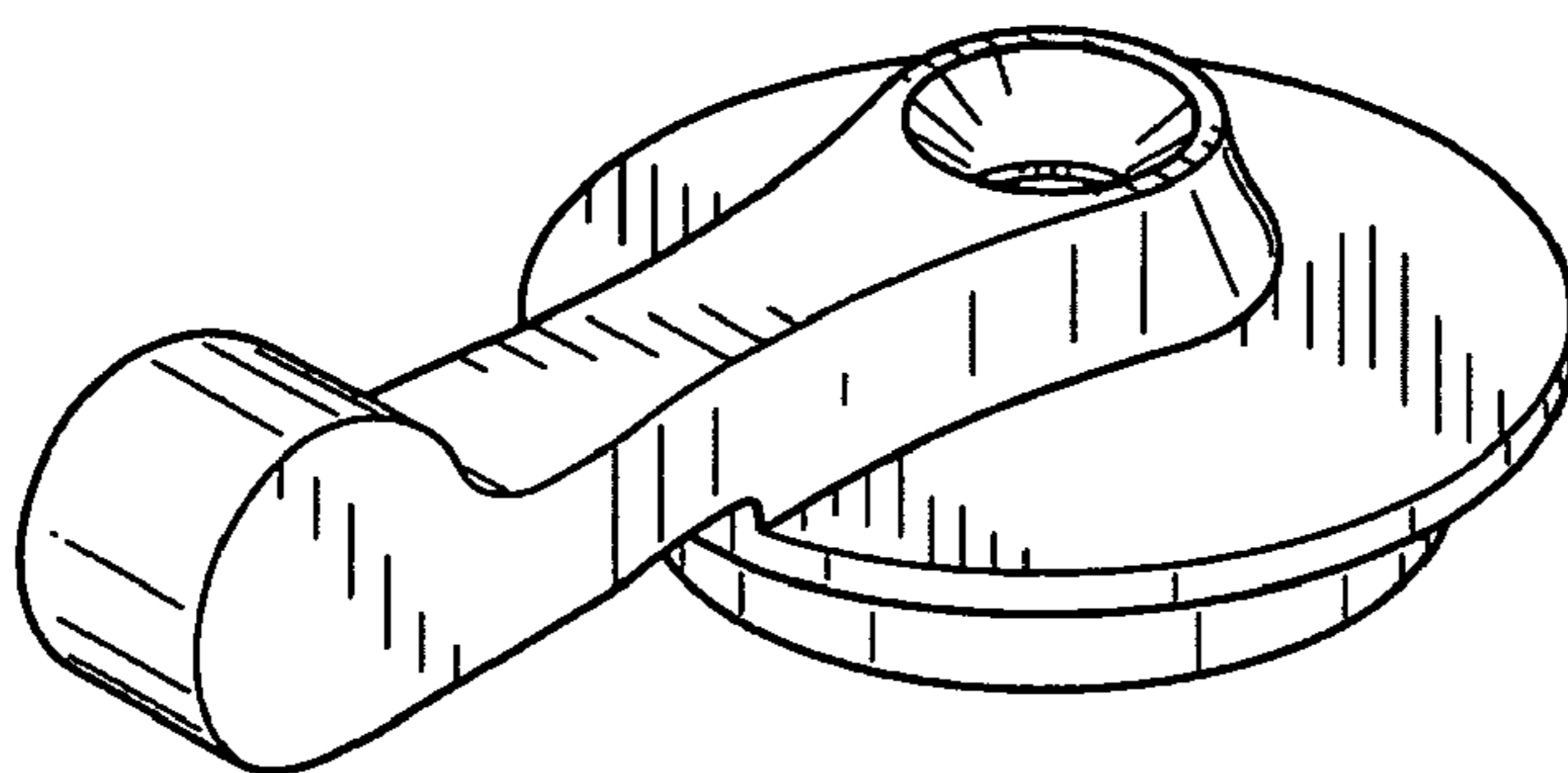


FIG. 9

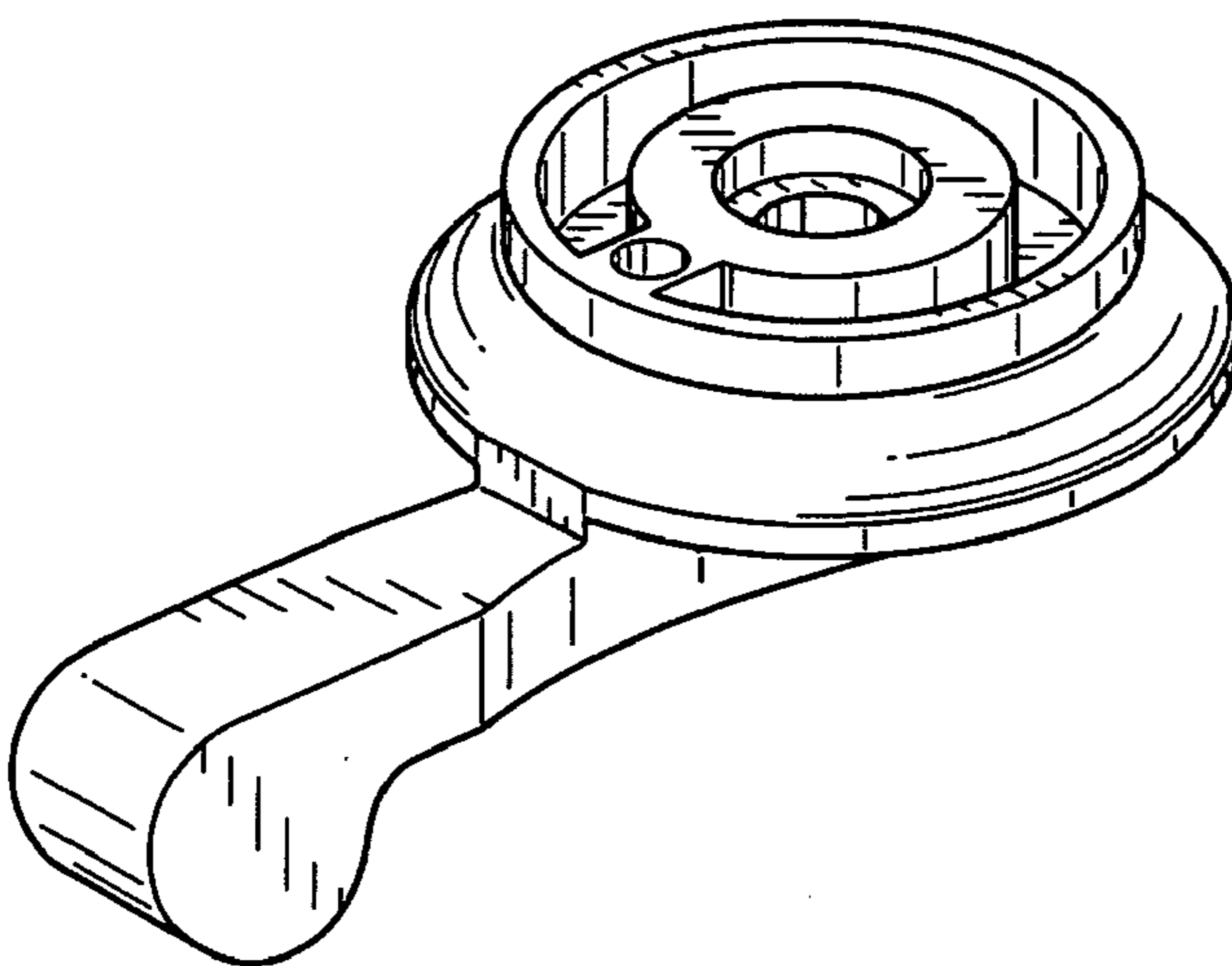


FIG. 10

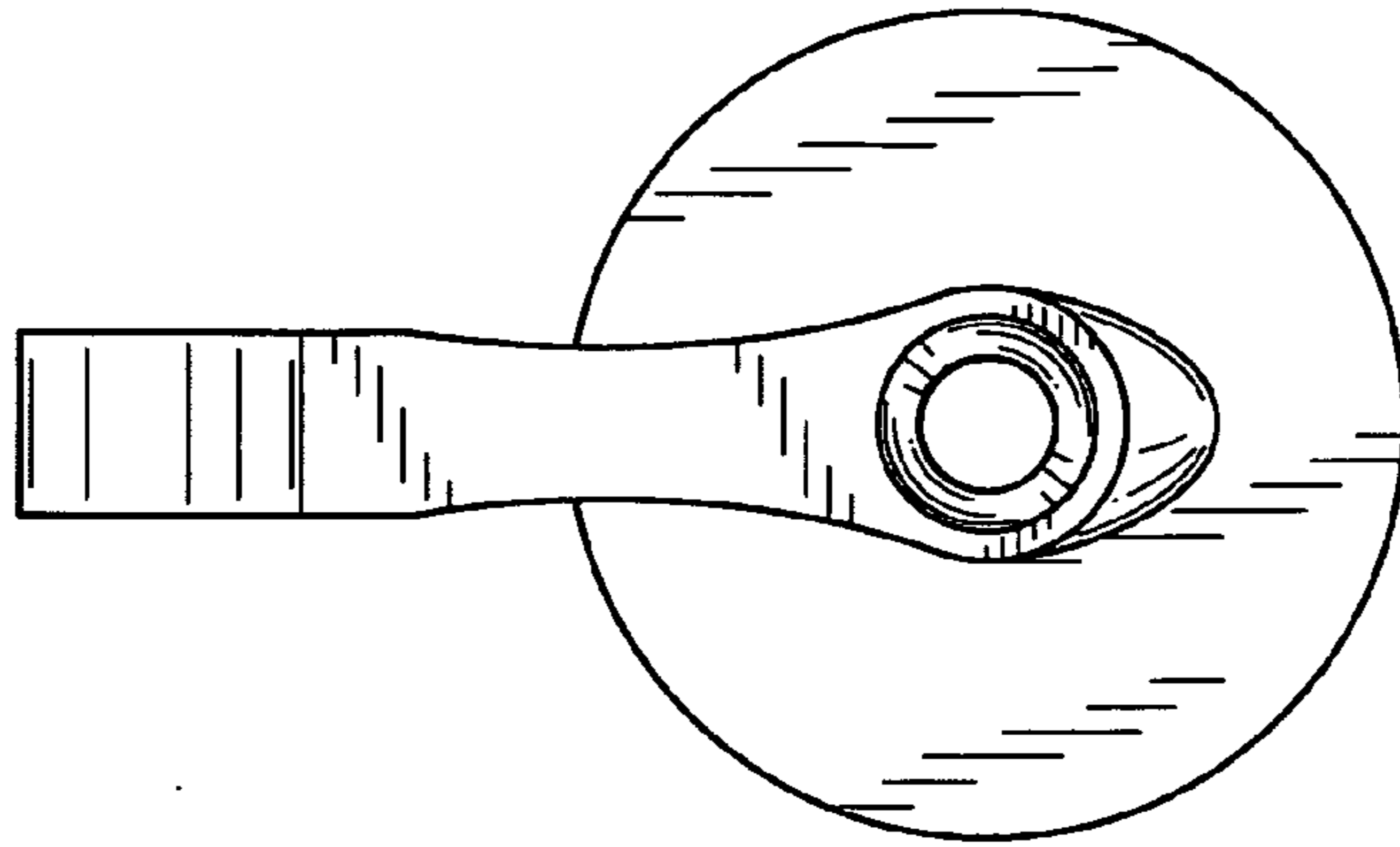


FIG. 11

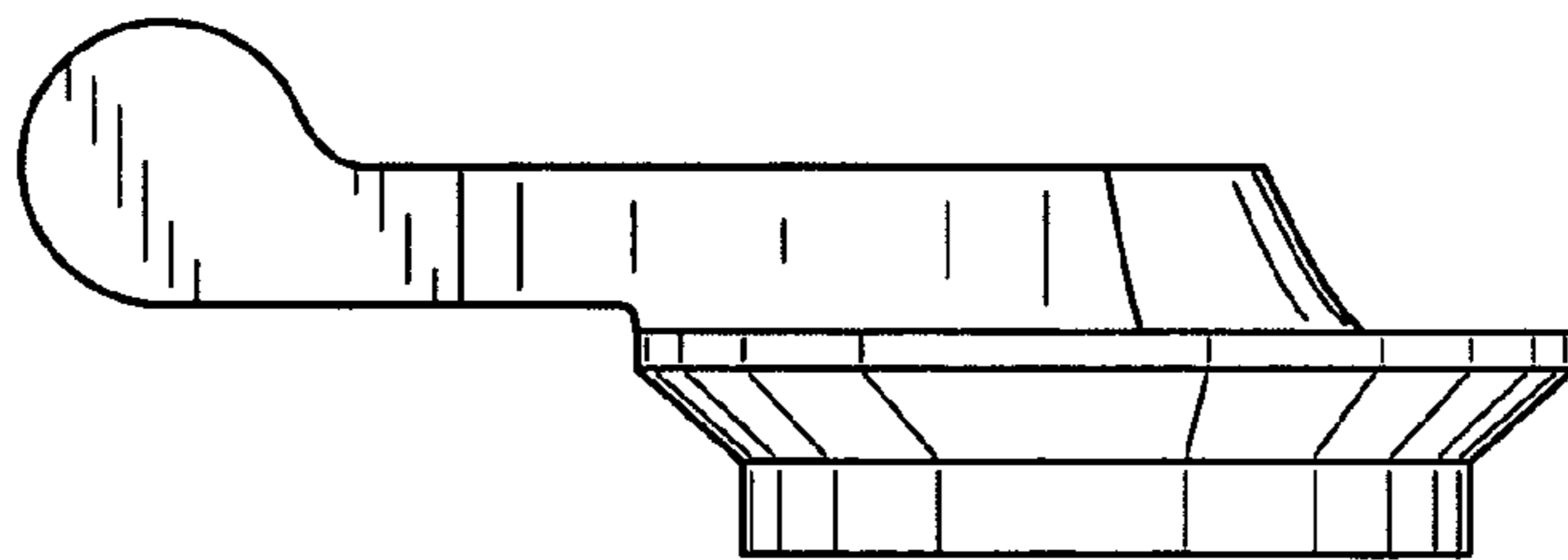


FIG. 12

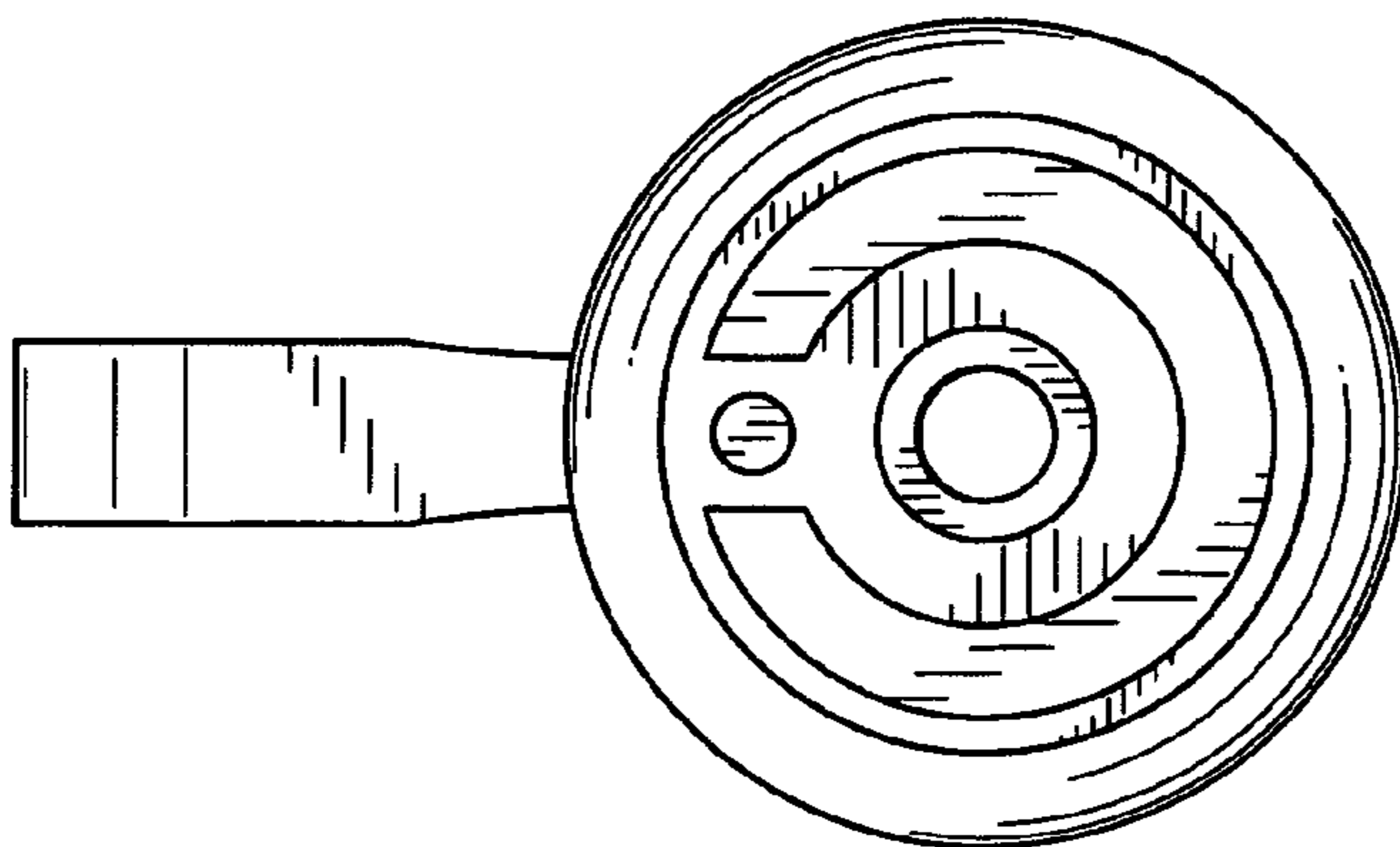


FIG. 13

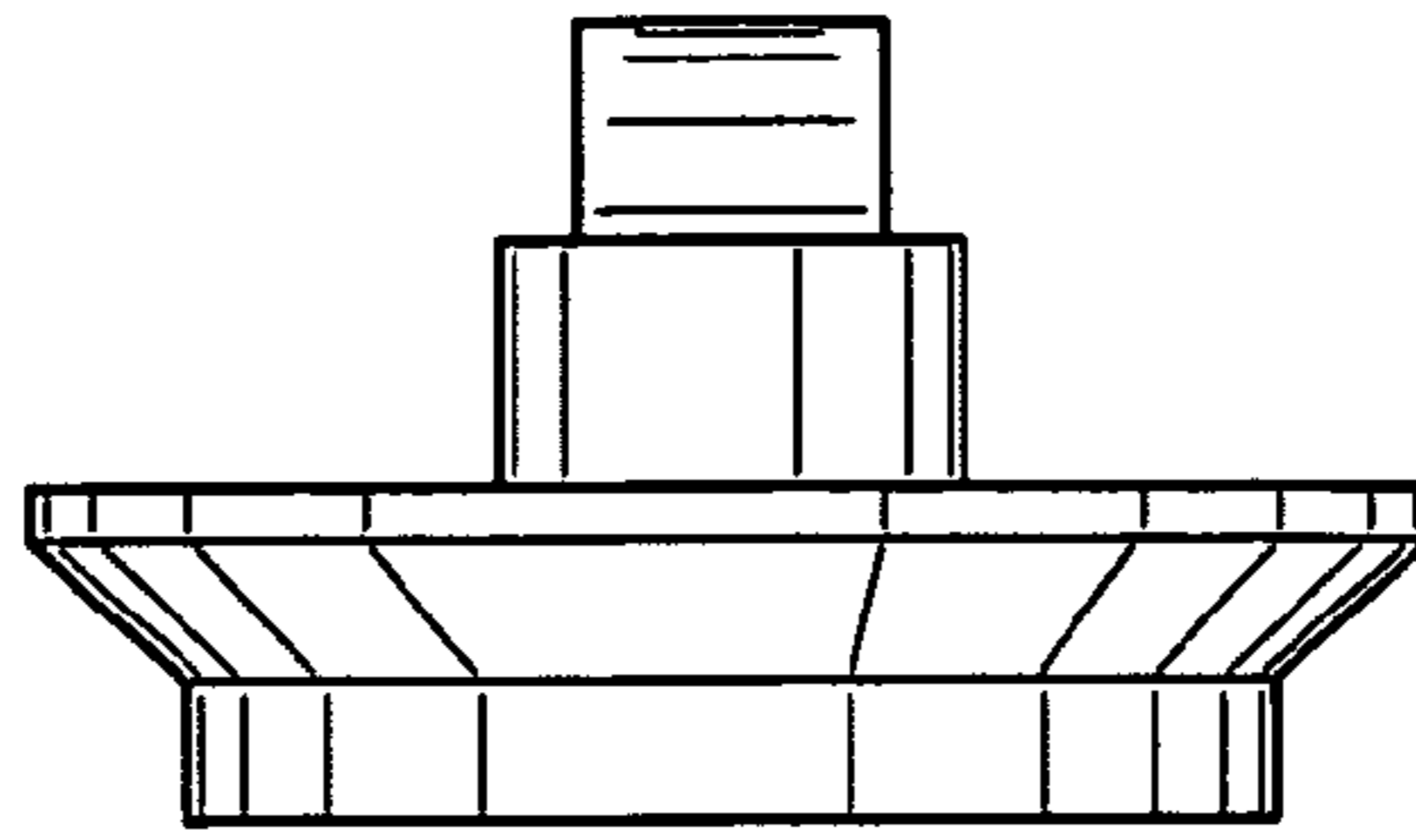


FIG. 14

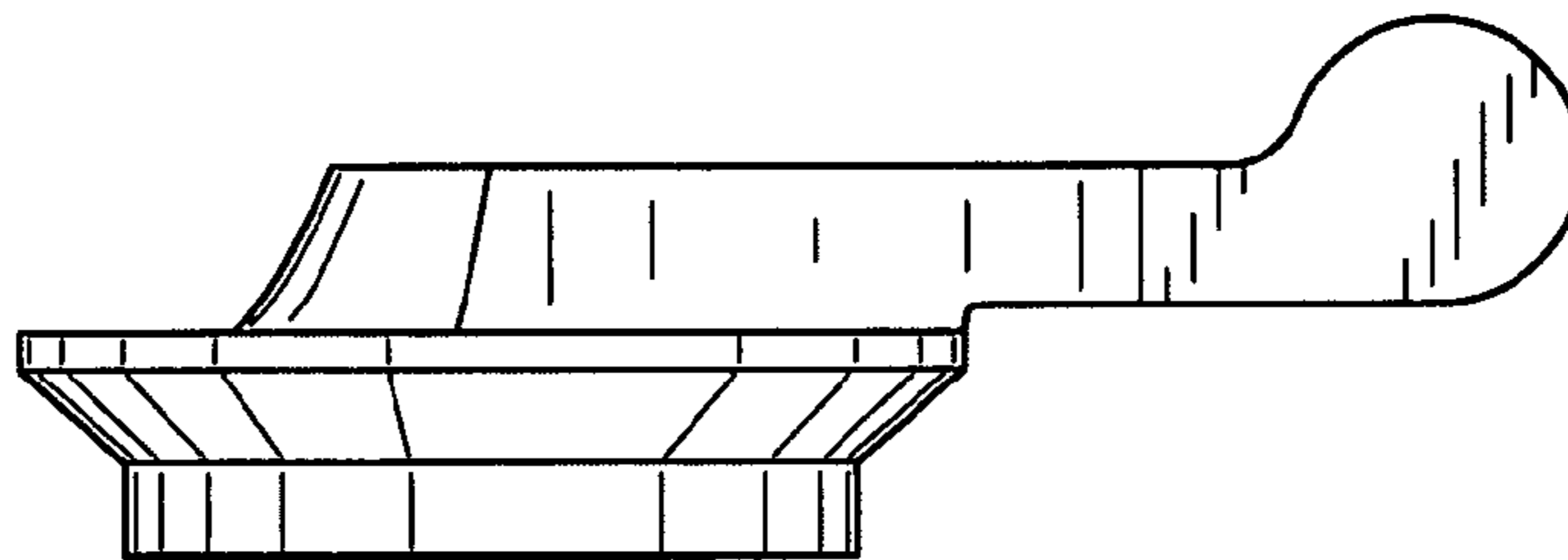


FIG. 15

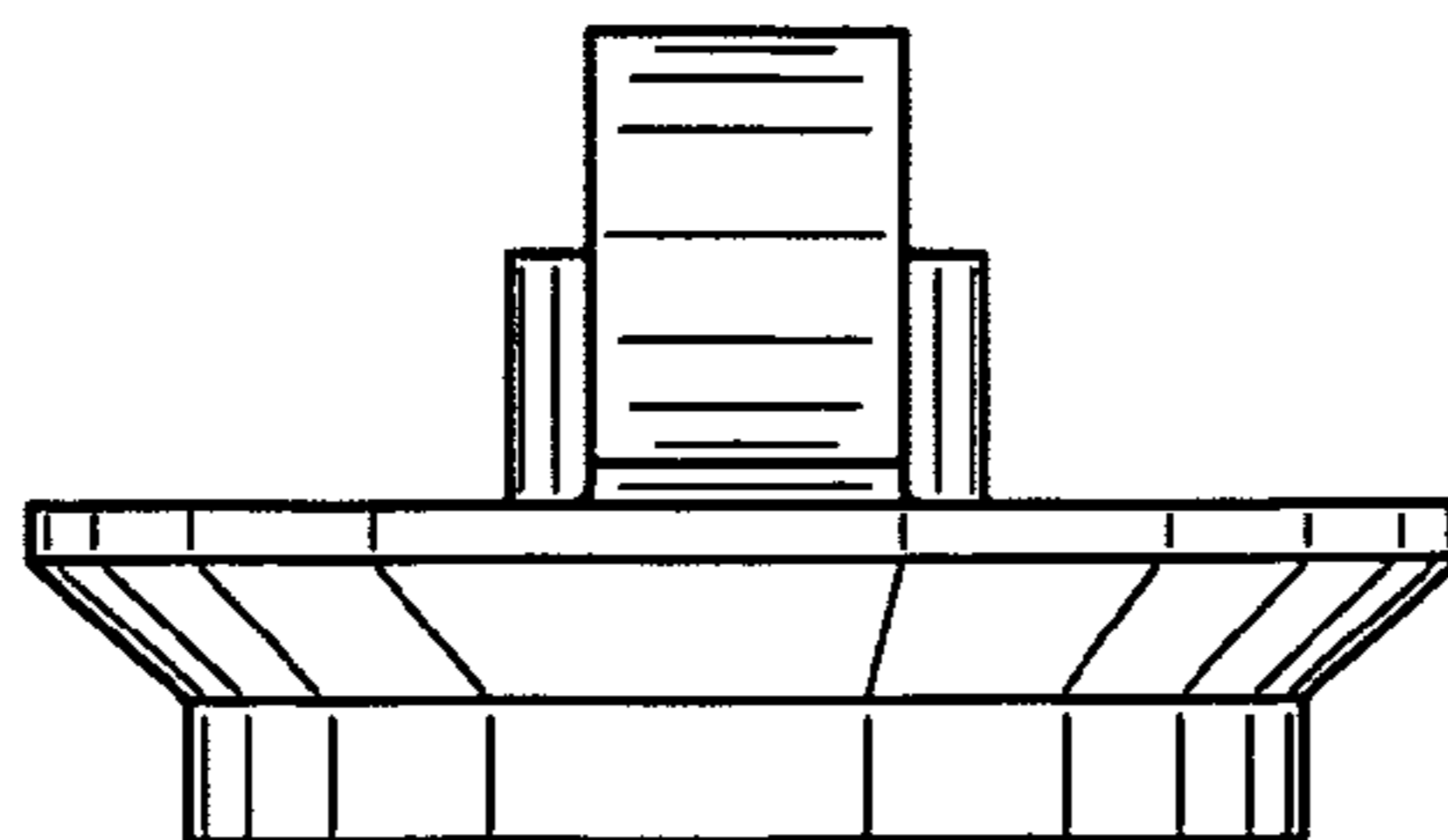


FIG. 16

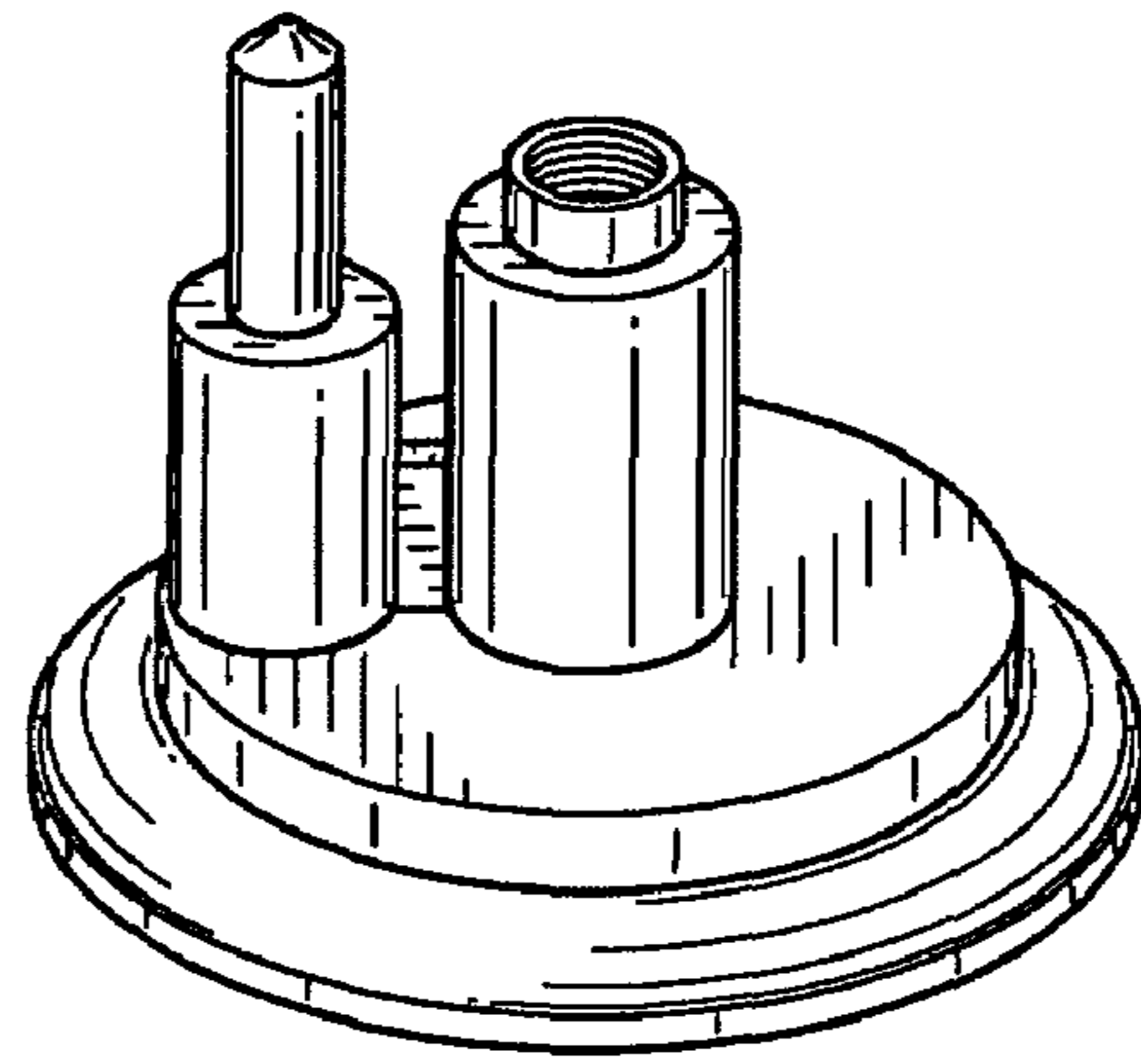


FIG. 17

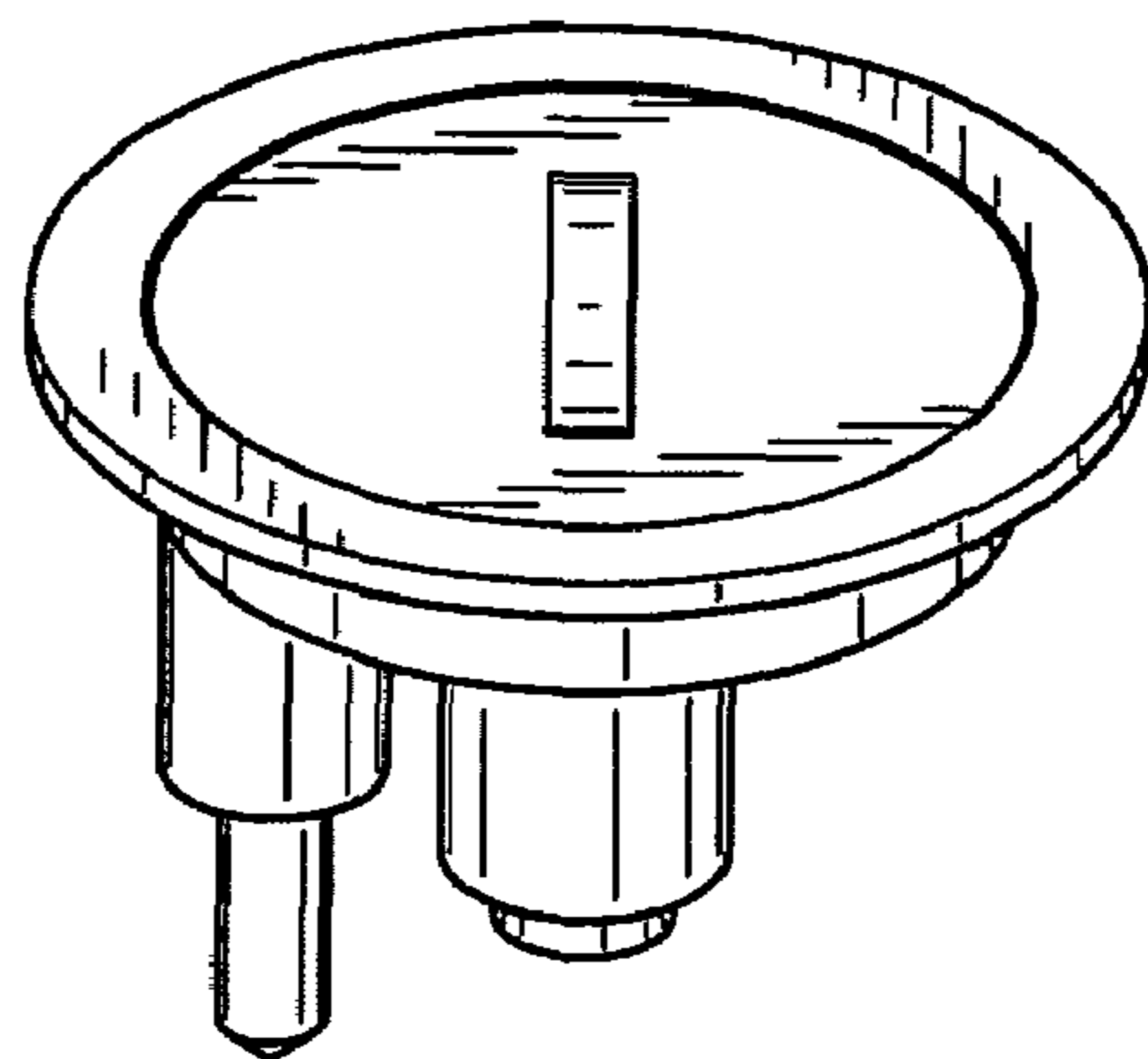


FIG. 18

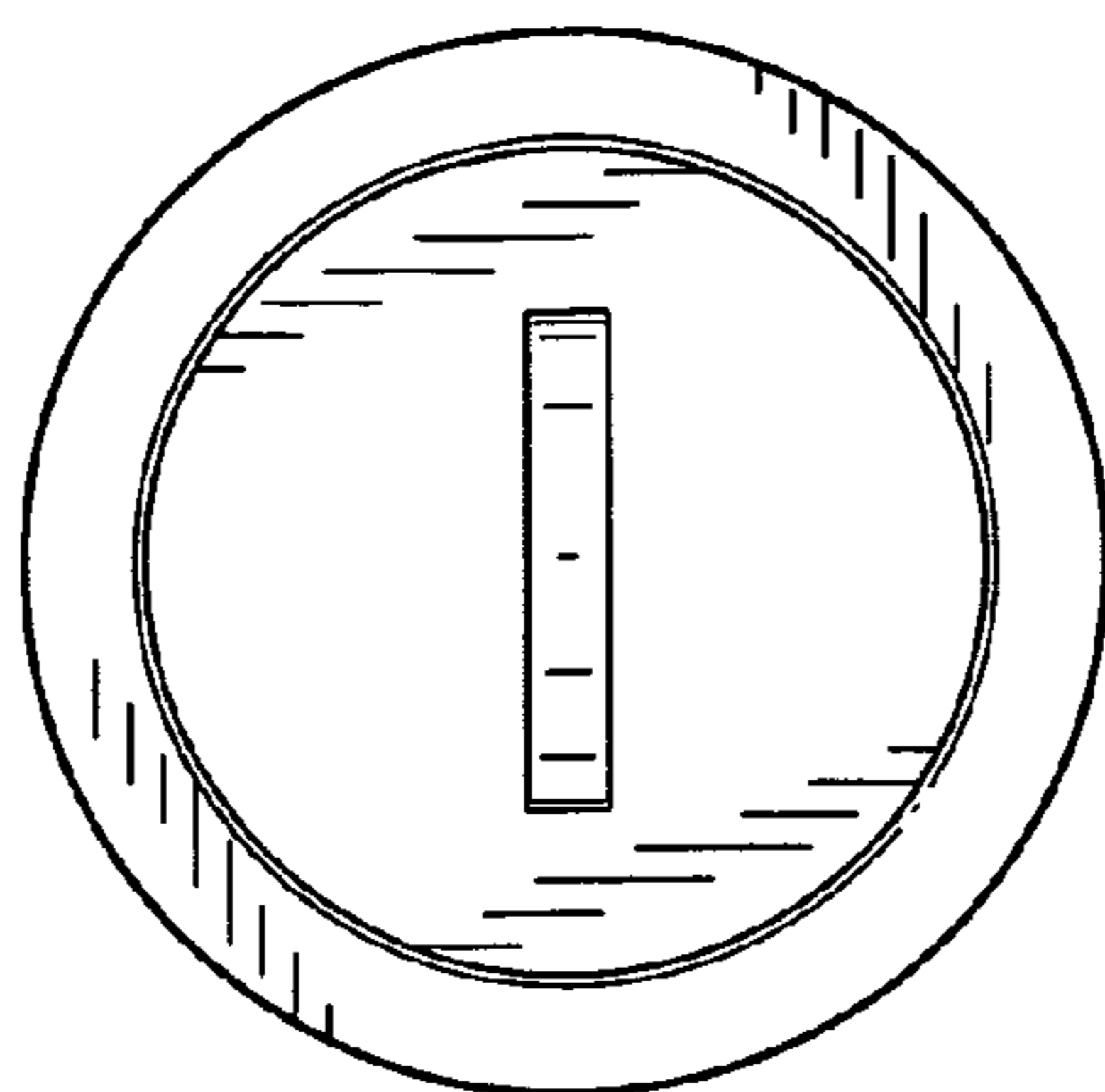


FIG. 19

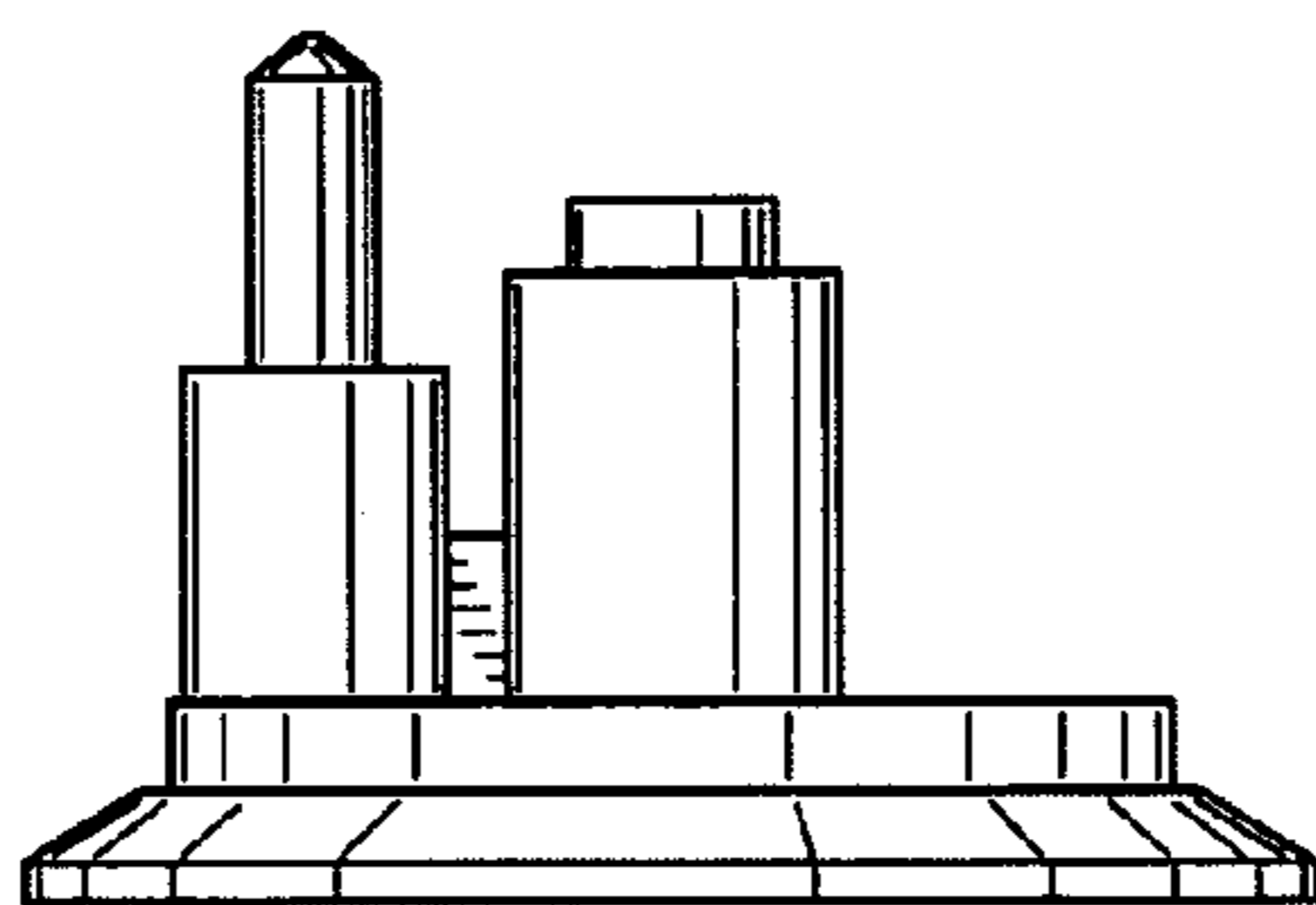


FIG. 20

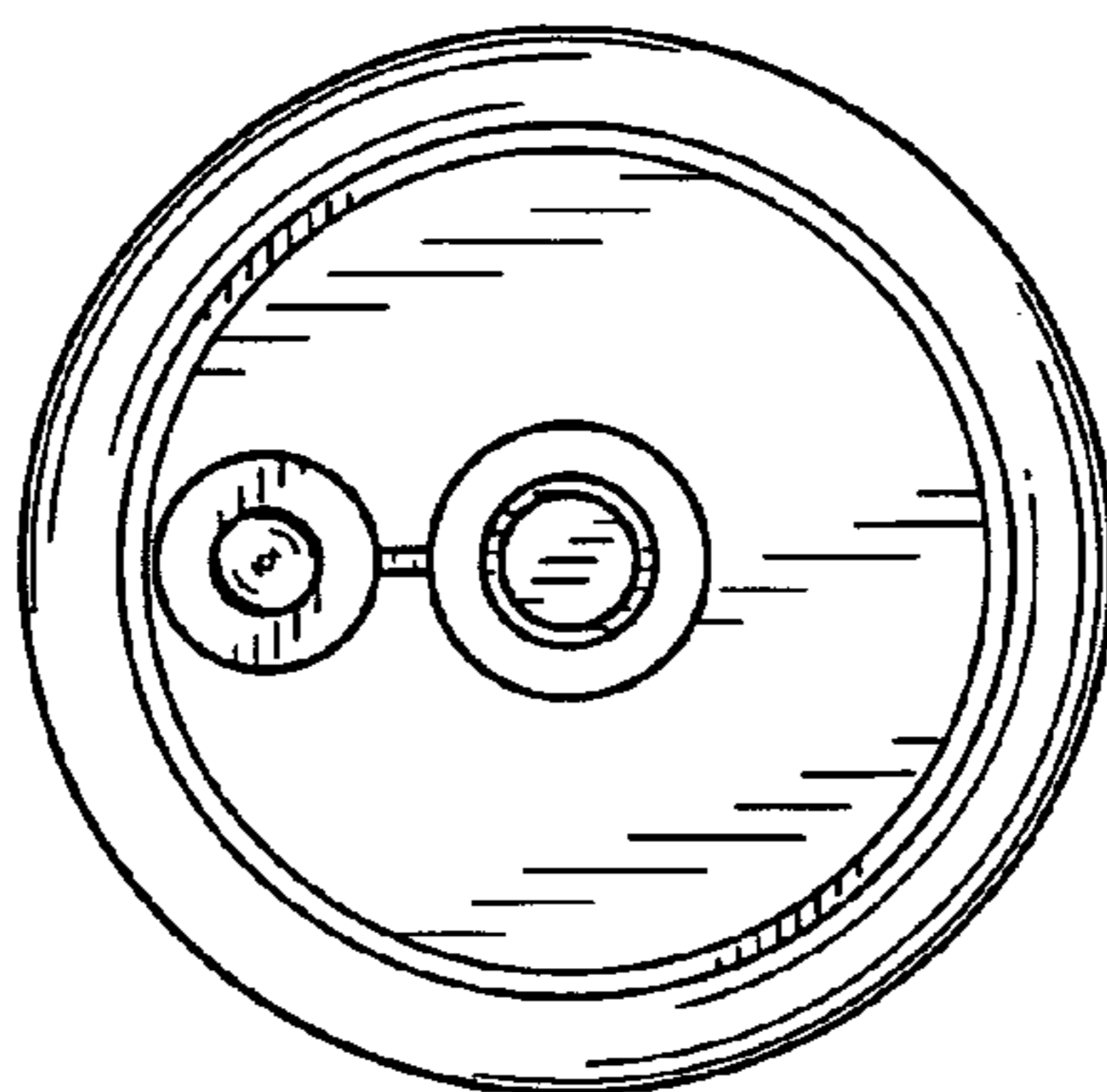


FIG. 21

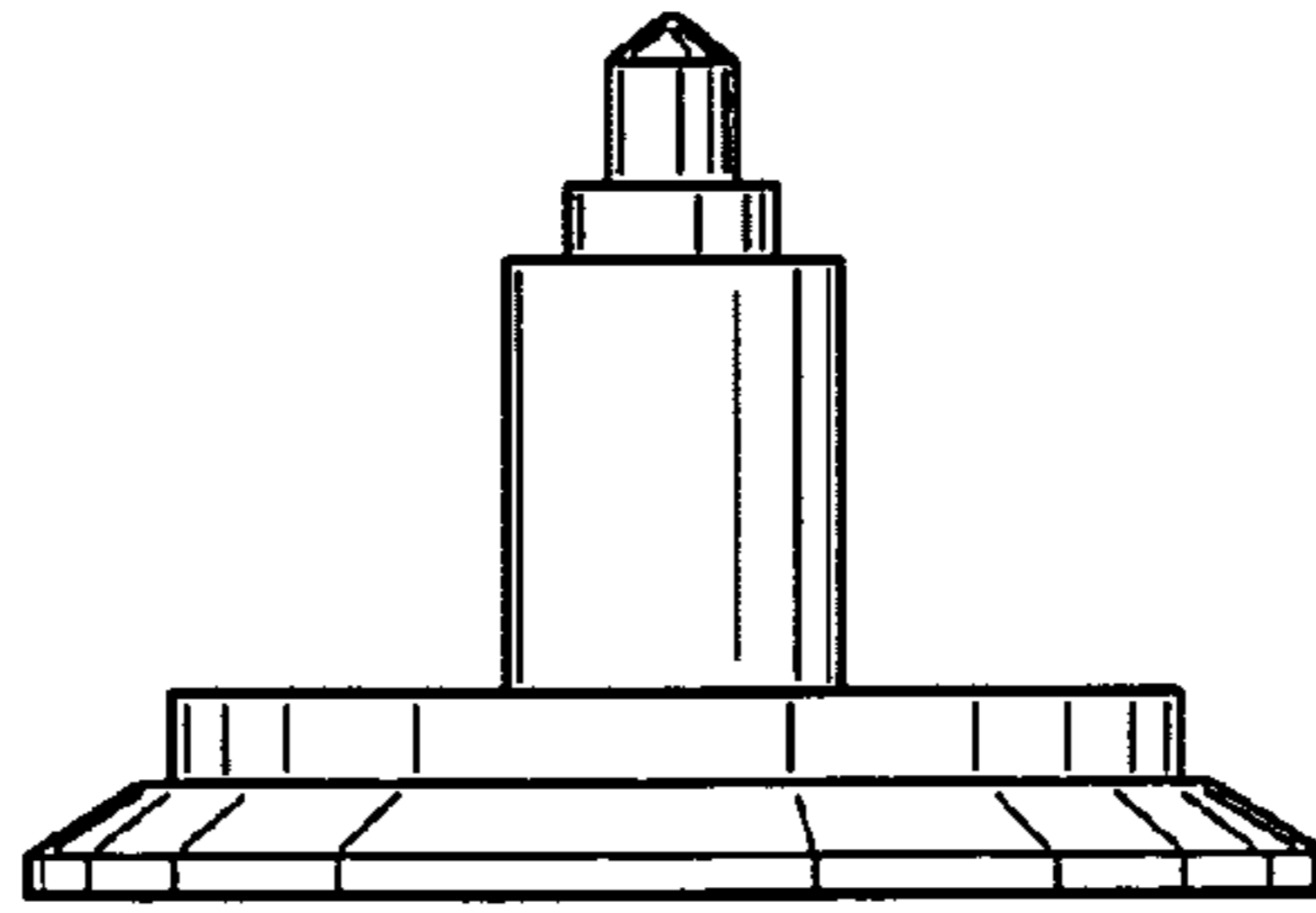


FIG. 22

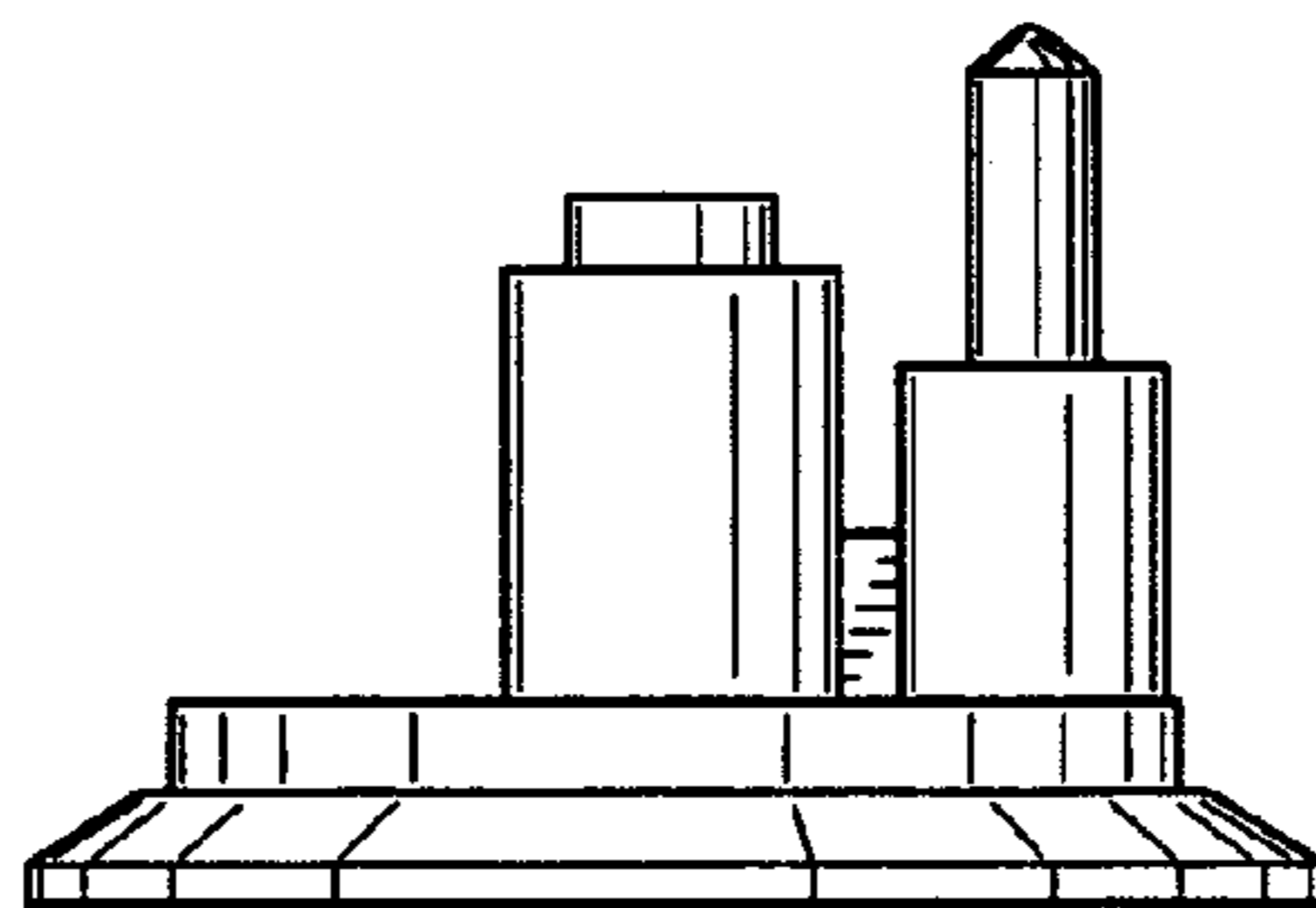


FIG. 23

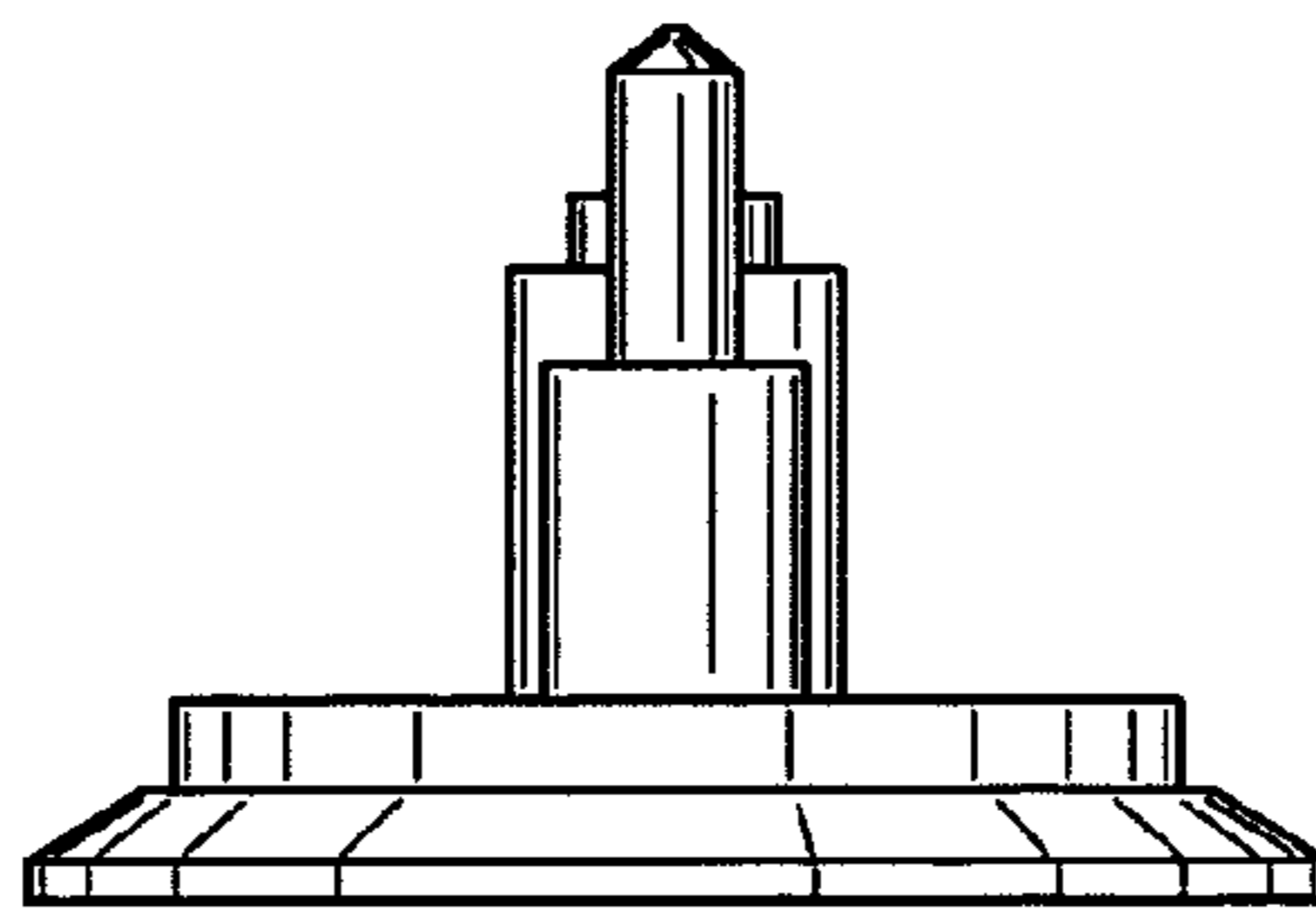


FIG. 24