



US00D606382S

(12) **United States Design Patent**
Stevens

(10) **Patent No.:** **US D606,382 S**

(45) **Date of Patent:** **** Dec. 22, 2009**

- (54) **LOCK**
- (75) Inventor: **Scott B. Stevens**, Oak Creek, WI (US)
- (73) Assignee: **Master Lock Company LLC**, Oak Creek, WI (US)
- (**) Term: **14 Years**
- (21) Appl. No.: **29/338,150**
- (22) Filed: **Jun. 5, 2009**
- (51) **LOC (9) Cl.** **08-07**
- (52) **U.S. Cl.** **D8/334; D8/331**
- (58) **Field of Classification Search** D8/330, D8/331, 334, 338, 336, 345, 339; 70/14, 70/18, 20, 24, 25, 31, 35, 38 R, 38 A, 38 B, 70/38 C, 51-56, 91, 141, DIG. 3, DIG. 4, 70/DIG. 43, DIG. 56

See application file for complete search history.

(56) **References Cited**

U.S. PATENT DOCUMENTS

- 0,221,405 A 11/1879 Frederick et al.
- 0,986,595 A 3/1911 Sage et al.
- 1,016,455 A 2/1912 Stone
- 1,490,987 A 4/1924 Soref
- D143,246 S 4/1945 Soref
- D143,245 S * 12/1945 Soref D8/334
- 2,824,439 A 2/1958 Soret
- 2,867,110 A 1/1959 Foote
- 3,422,644 A 1/1969 Foote
- 3,453,758 A 7/1969 Soref
- 3,835,676 A 9/1974 Foote
- 3,908,415 A 9/1975 Foote
- 3,983,725 A 10/1976 Manuel
- 4,224,813 A 9/1980 Hampton
- 4,226,100 A 10/1980 Hampton et al.
- 4,317,344 A 3/1982 Barnard
- 4,688,405 A 8/1987 Epstein
- D324,162 S 2/1992 Lebrecht
- D395,224 S 6/1998 Turner
- 5,761,935 A 6/1998 Adelmeyer
- D400,078 S 10/1998 Adelmeyer
- D402,532 S 12/1998 Turner
- D406,044 S 2/1999 Turner
- D408,262 S * 4/1999 Liu D8/334

- D423,324 S 4/2000 Liu
- D431,769 S * 10/2000 Gast D8/346
- D432,393 S * 10/2000 Gast D8/346
- D442,059 S 5/2001 Turner
- 6,539,754 B1 4/2003 Fang
- D484,391 S 12/2003 Hackbarth et al.
- 6,769,277 B1 * 8/2004 Chang 70/52
- D537,320 S 2/2007 Kearns et al.
- D537,703 S 3/2007 Kearns et al.
- D578,864 S * 10/2008 Rohde et al. D8/334
- D587,984 S * 3/2009 Zorc et al. D8/343

FOREIGN PATENT DOCUMENTS

CA	844297	6/1970
CA	865398	3/1971
CA	895074	3/1972
GB	970388	9/1964

* cited by examiner

Primary Examiner—Prabhakar Deshmukh
(74) *Attorney, Agent, or Firm*—Calfee, Halter & Griswold LLP

(57) **CLAIM**

I claim the ornamental design for a lock, as shown and described.

DESCRIPTION

FIG. 1 is a front perspective view of a lock showing the new design;

FIG. 2 is a top view of the lock of FIG. 1;

FIG. 3 is a front view of the lock of FIG. 1;

FIG. 4 is a rear view of the lock of FIG. 1;

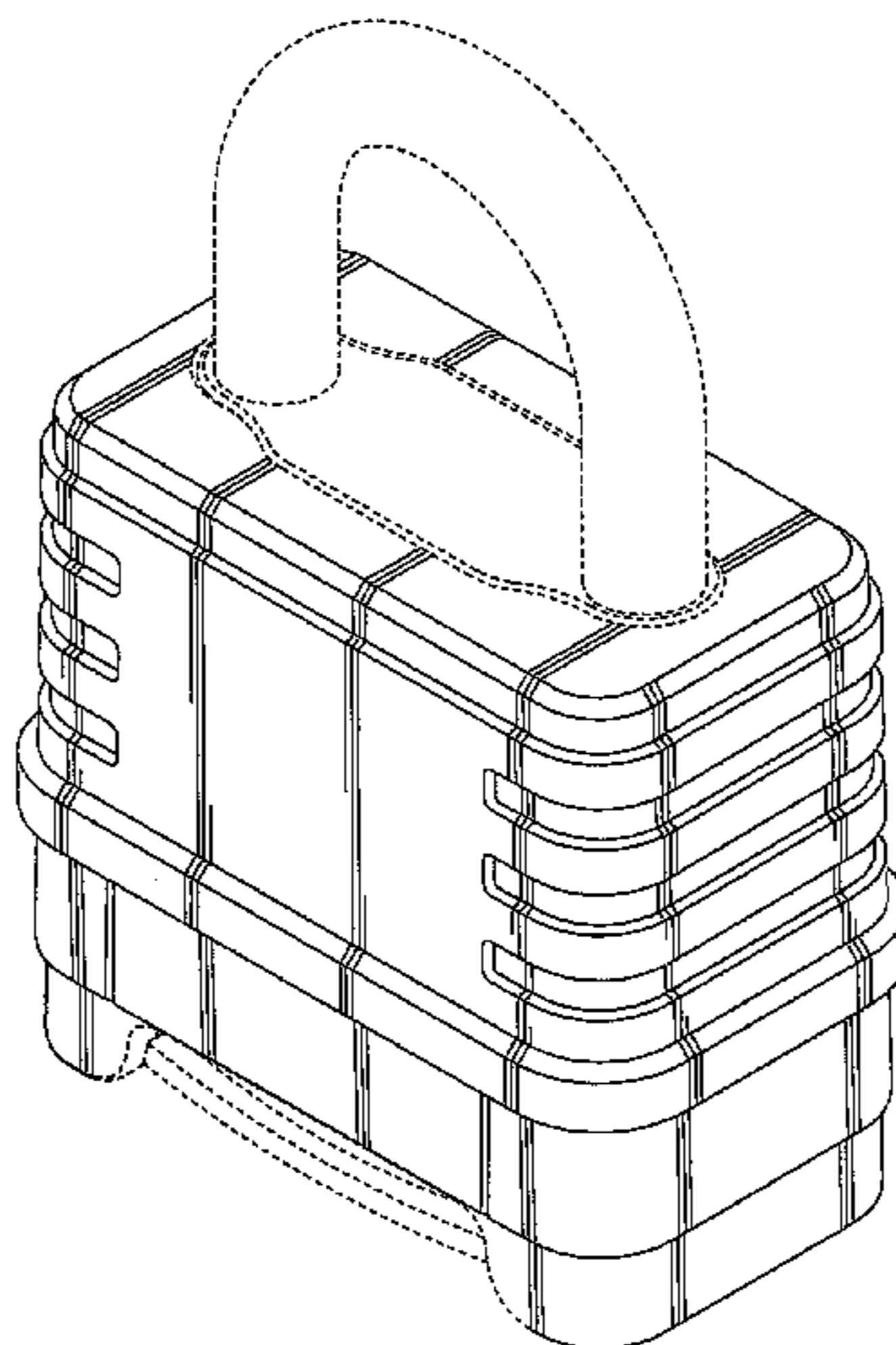
FIG. 5 is a bottom view of the lock of FIG. 1;

FIG. 6 is a right side view of the lock of FIG. 1; and,

FIG. 7 is a left side view of the lock of FIG. 1.

The portions of the Figures shown in broken lines are for illustrative purpose only and form no part of the claimed design.

1 Claim, 4 Drawing Sheets



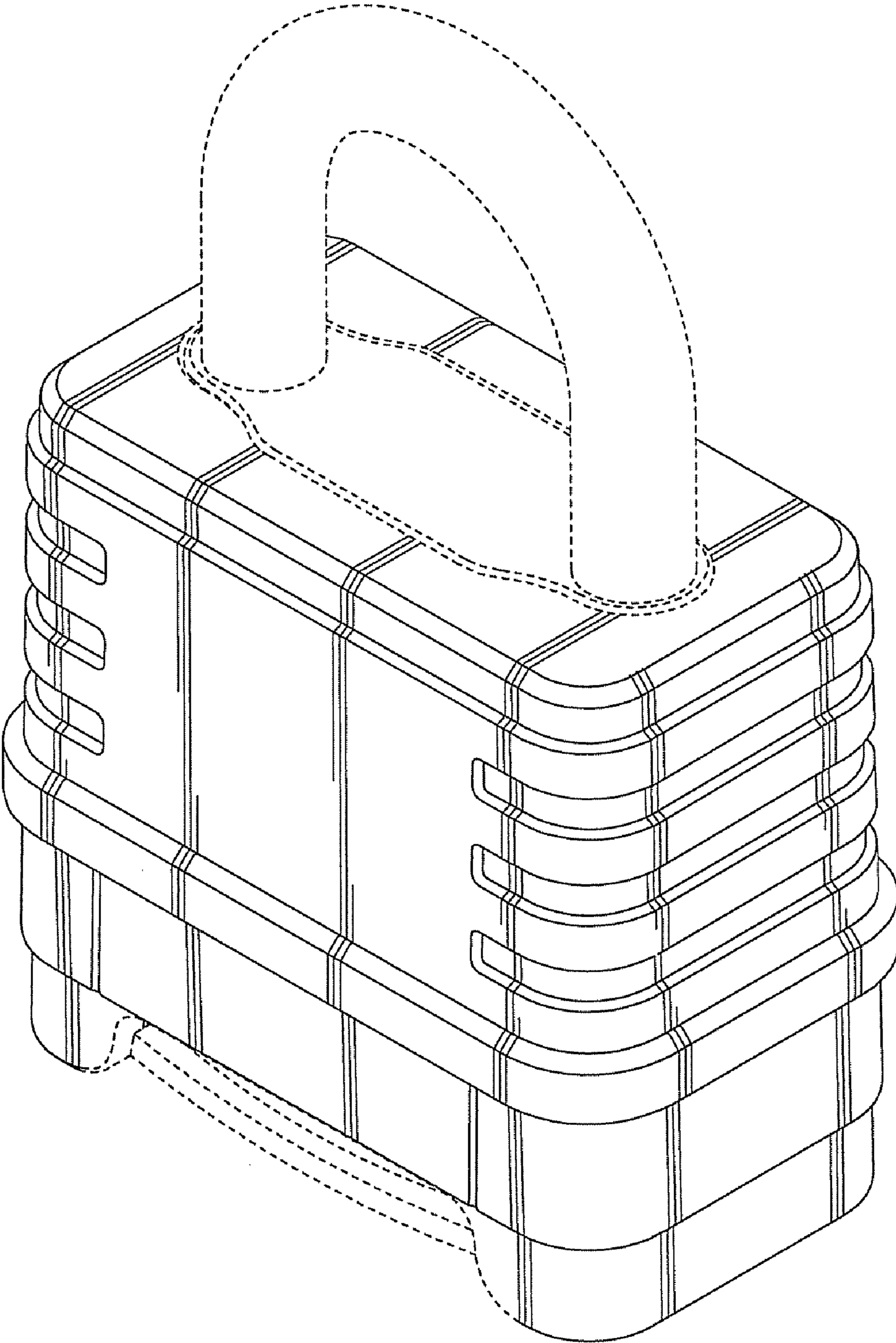


FIG. 1

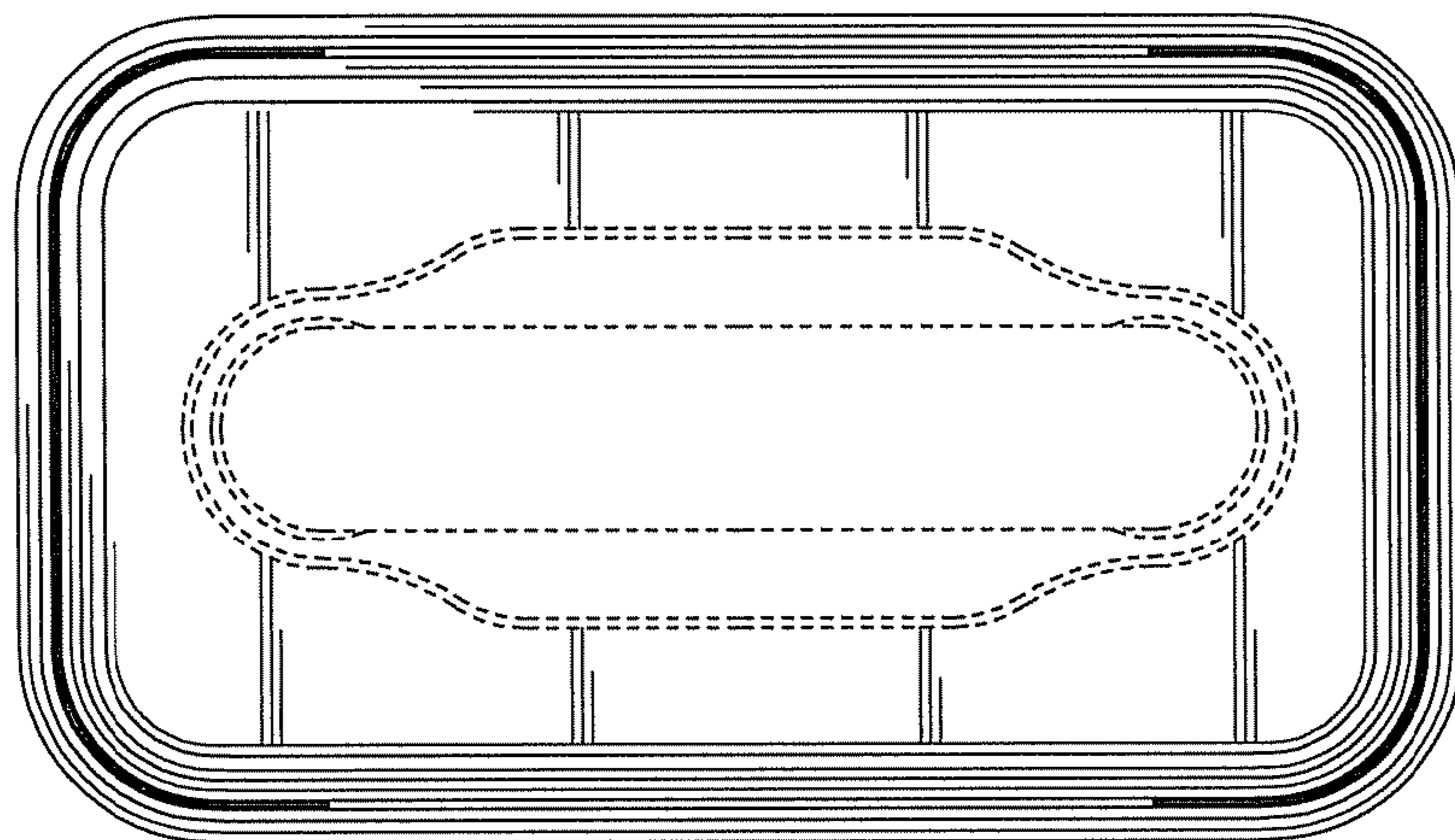


FIG. 2

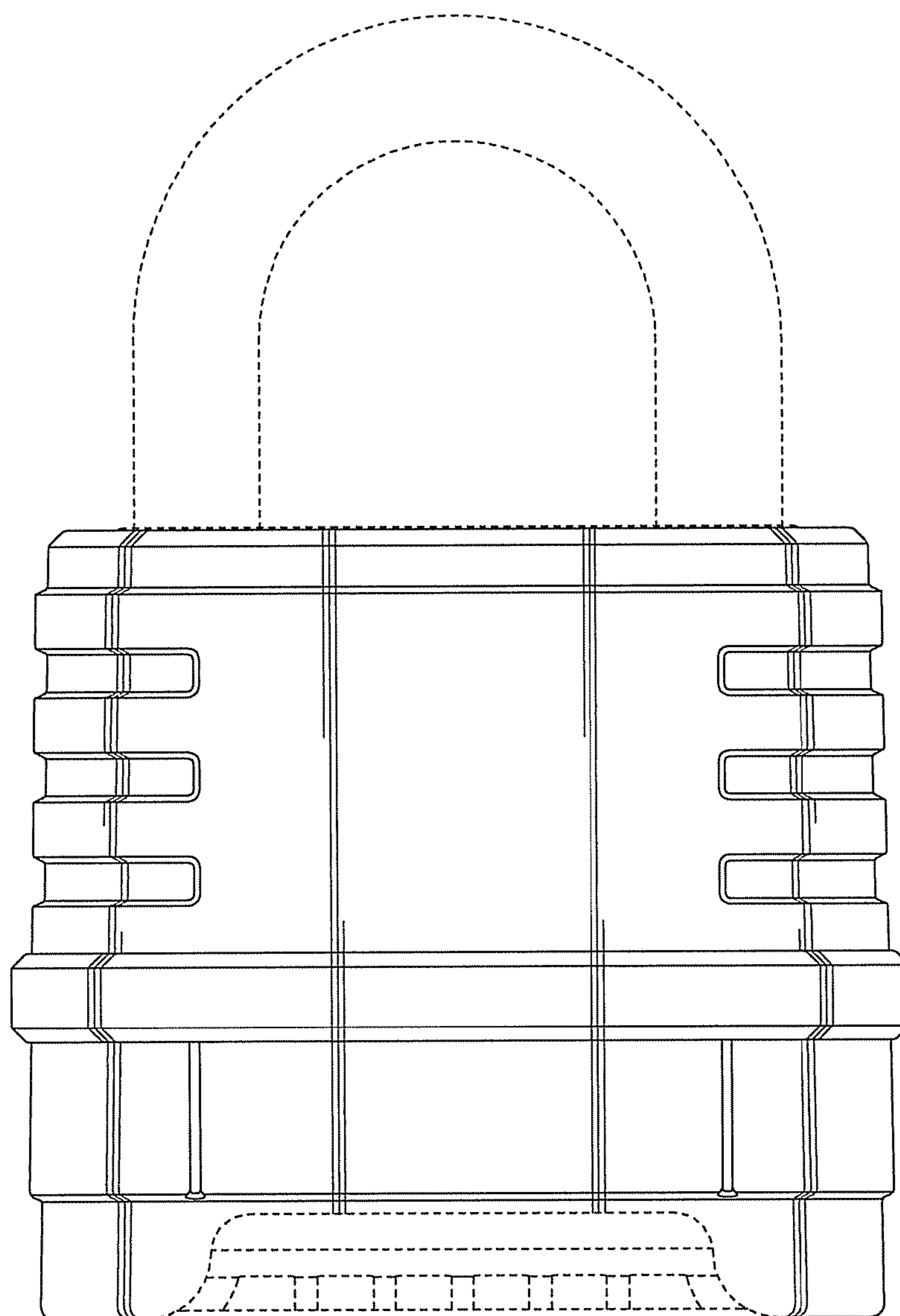


FIG. 3

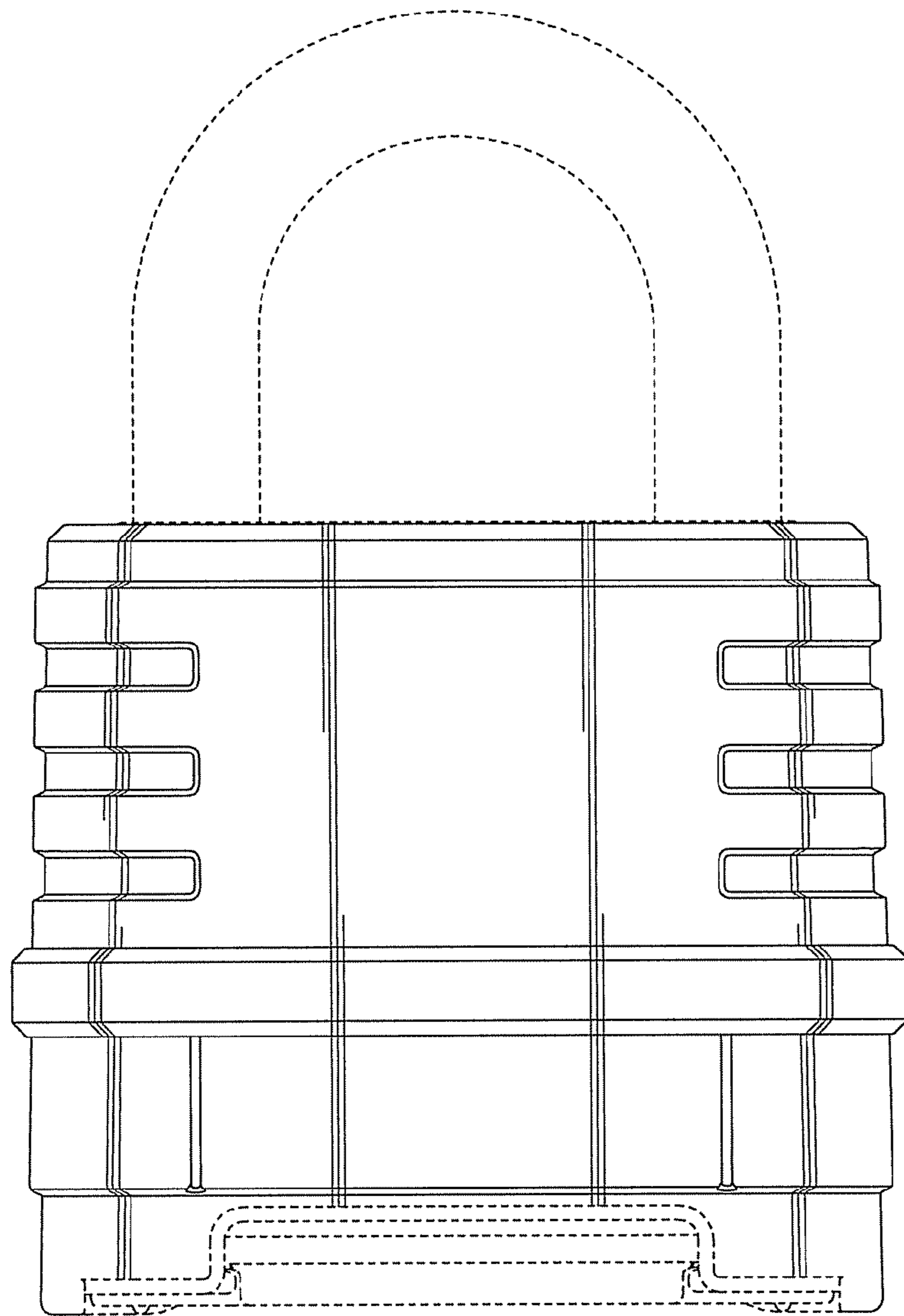


FIG. 4

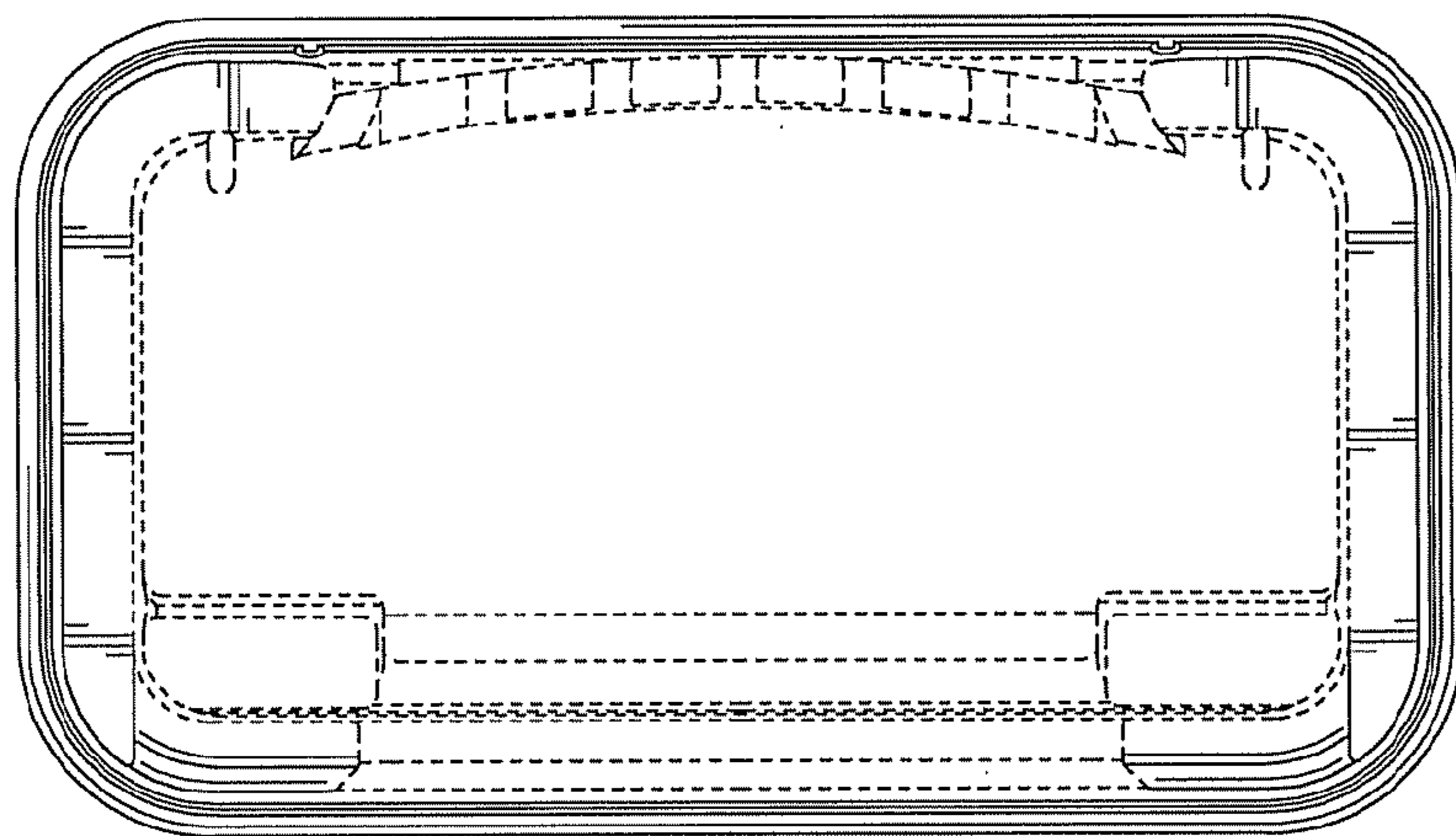


FIG. 5

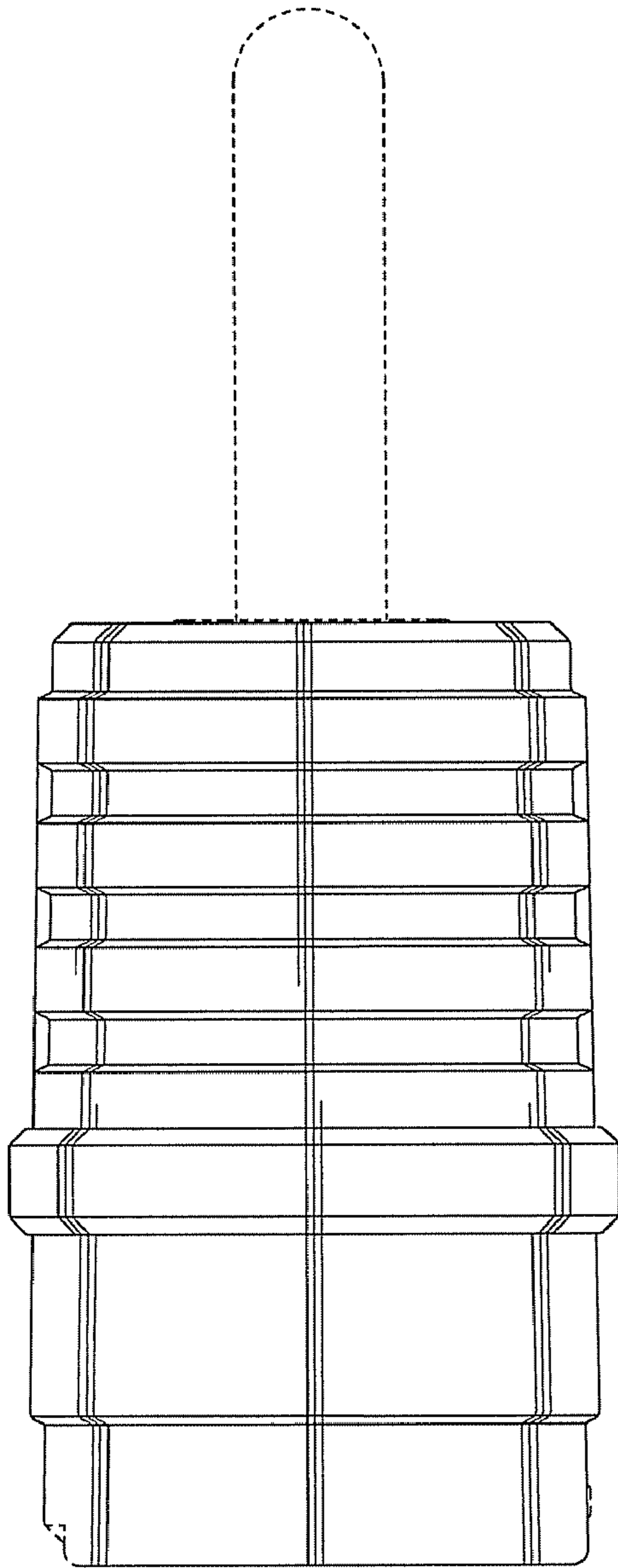


FIG. 6

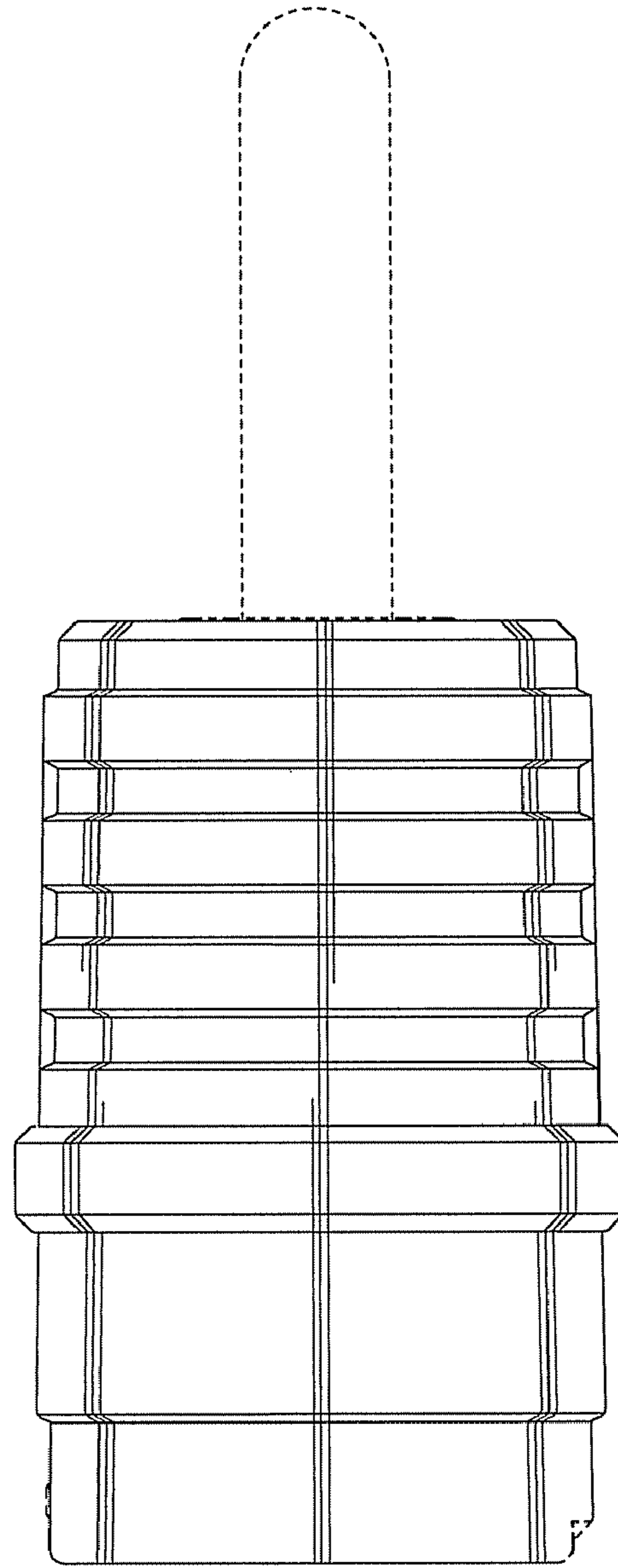


FIG. 7