



US00D606381S

(12) **United States Design Patent**  
**Menzies**

(10) **Patent No.:** **US D606,381 S**

(45) **Date of Patent:** **\*\* Dec. 22, 2009**

(54) **SQUARE FURNITURE PULL KNOB**

(75) Inventor: **Andrew Menzies**, Birmingham (GB)

(73) Assignee: **Crofts & Assinder Limited**,  
Birmingham (GB)

(\*\*) Term: **14 Years**

(21) Appl. No.: **29/313,046**

(22) Filed: **Dec. 2, 2008**

(30) **Foreign Application Priority Data**

Sep. 4, 2008	(EM)	000998950-0001
Sep. 4, 2008	(EM)	000998950-0002
Sep. 4, 2008	(EM)	000998950-0003
Sep. 4, 2008	(EM)	000998950-0004
Sep. 4, 2008	(EM)	000998950-0005
Sep. 4, 2008	(EM)	000998950-0006
Sep. 4, 2008	(EM)	000998950-0007
Sep. 4, 2008	(EM)	000998950-0008
Sep. 4, 2008	(EM)	000998950-0009
Sep. 4, 2008	(EM)	000998950-0010
Sep. 4, 2008	(EM)	000998950-0011

(51) **LOC (9) Cl.** ..... **08-06**

(52) **U.S. Cl.** ..... **D8/307**

(58) **Field of Classification Search** ..... D8/300,  
D8/305, 307, 310, 378, DIG. 2, DIG. 3, DIG. 1,  
D8/303, 311; D7/392.1, 393; D23/250,  
D23/252; D19/58; D21/386, 388; D6/550,  
D6/578, 560; D9/435; 16/110.1, 412, 414,  
16/415, 417, 441; 292/336.3, 337, 347; 220/753;  
D20/1, 2, 4, 8

See application file for complete search history.

(56) **References Cited**

**U.S. PATENT DOCUMENTS**

2,430,681 A \* 11/1947 Johnson ..... 473/470

D152,901 S *	3/1949	Petersen	.....	D8/307
2,796,627 A *	6/1957	Heyer	.....	16/417
D184,506 S *	3/1959	Borenstein	.....	D8/307
D185,098 S *	5/1959	Prescott	.....	D8/307
3,252,404 A *	5/1966	Cox	.....	99/349
D212,379 S *	10/1968	Dudas et al.	.....	D7/393
4,193,166 A *	3/1980	Neff	.....	16/441
4,790,208 A *	12/1988	Johnson	.....	74/548
D327,530 S *	6/1992	Rawald	.....	D23/250
D434,962 S *	12/2000	Short	.....	D8/310
D481,767 S *	11/2003	May et al.	.....	D21/499
D497,399 S *	10/2004	May et al.	.....	D21/499
D499,773 S *	12/2004	May et al.	.....	D21/499
D549,544 S *	8/2007	Mattson et al.	.....	D8/307
D563,193 S *	3/2008	Lowe	.....	D8/307
D570,184 S *	6/2008	Ricereto	.....	D8/307
D579,303 S *	10/2008	Schneider	.....	D8/307
D580,733 S *	11/2008	Hanes	.....	D8/307
D582,245 S *	12/2008	Collins	.....	D8/305
D598,267 S *	8/2009	Menzies	.....	D8/307

\* cited by examiner

*Primary Examiner*—Paula Greene

(74) *Attorney, Agent, or Firm*—Chernoff, Vilhauer, McClung & Stenzel, LLP

(57) **CLAIM**

The ornamental design for a square furniture pull knob, as shown and described.

**DESCRIPTION**

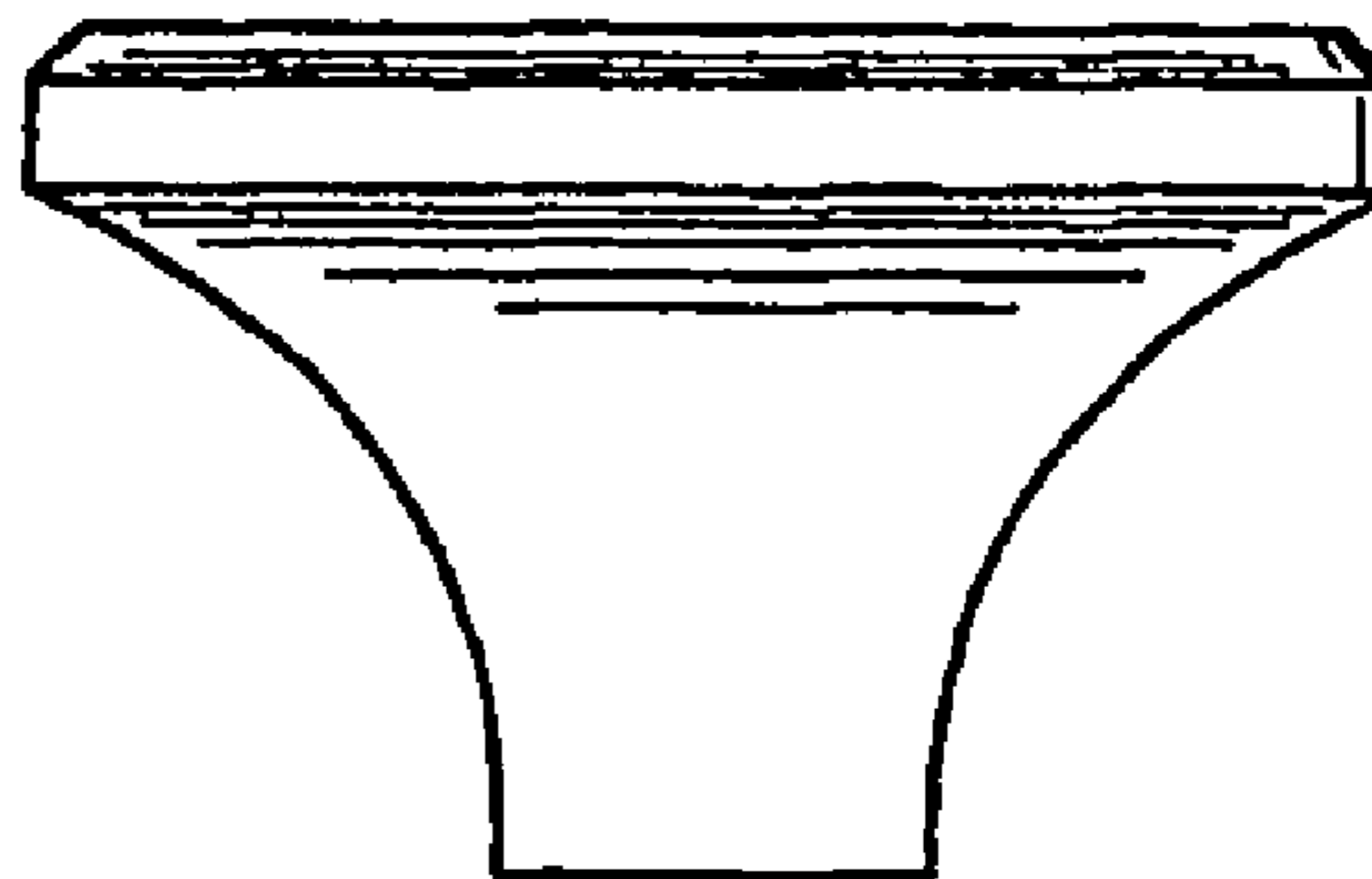
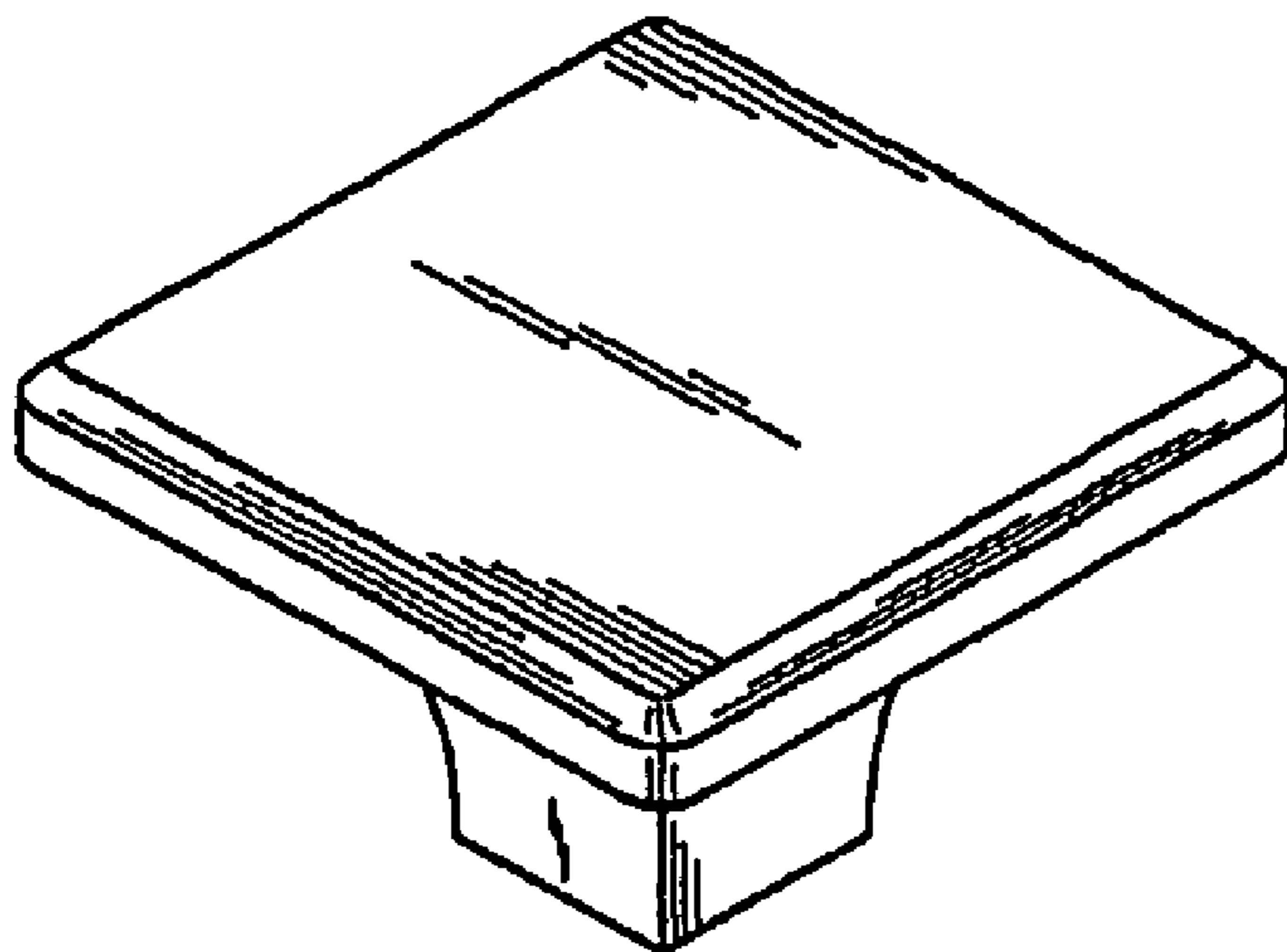
FIG. 1 is a perspective view looking from the bottom of a square furniture pull knob showing my new design;

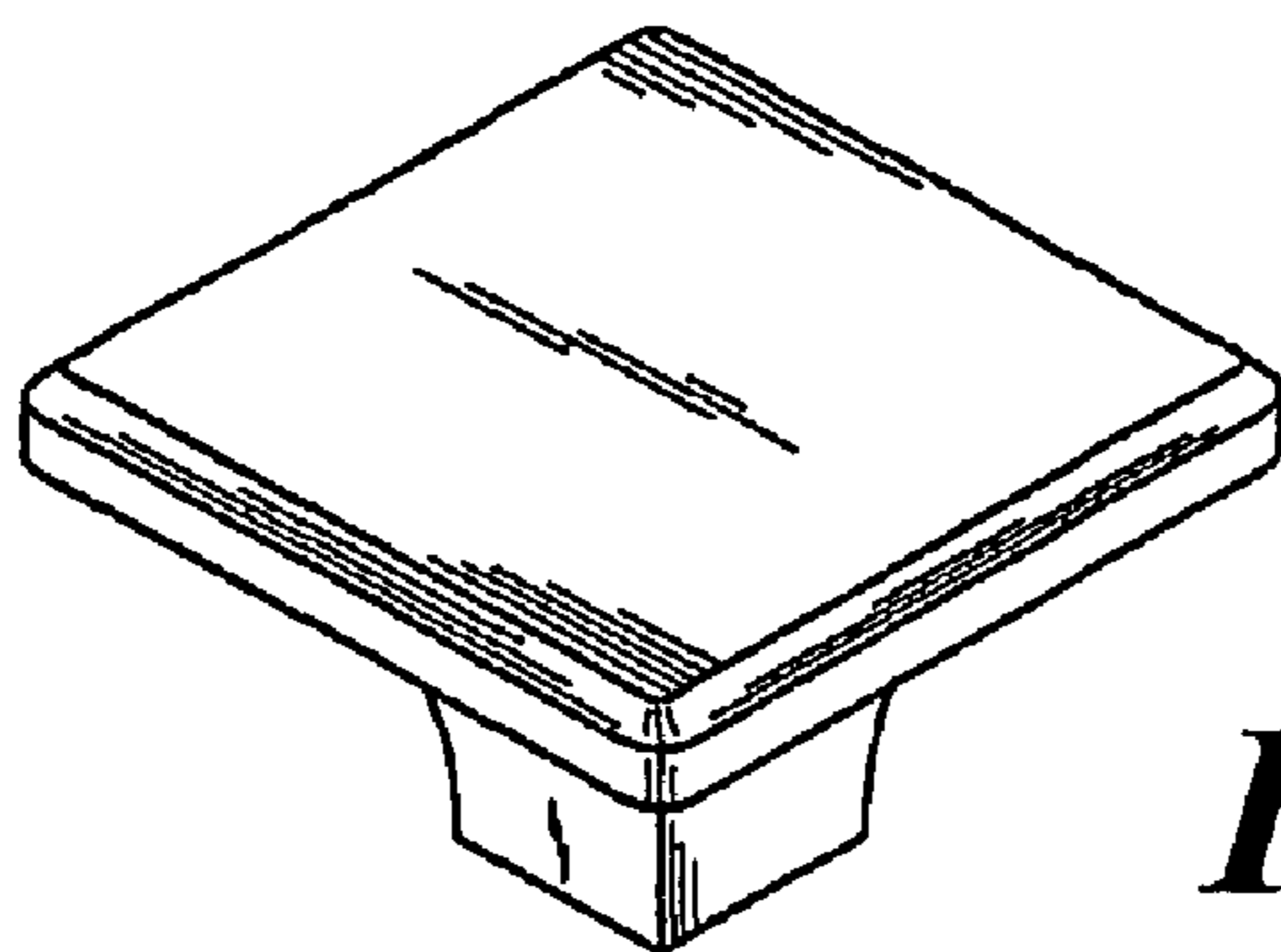
FIG. 2. is a top plan view thereof;

FIG. 3 is a bottom plan view thereof, the broken line portion thereof forms no part of the claimed design; and,

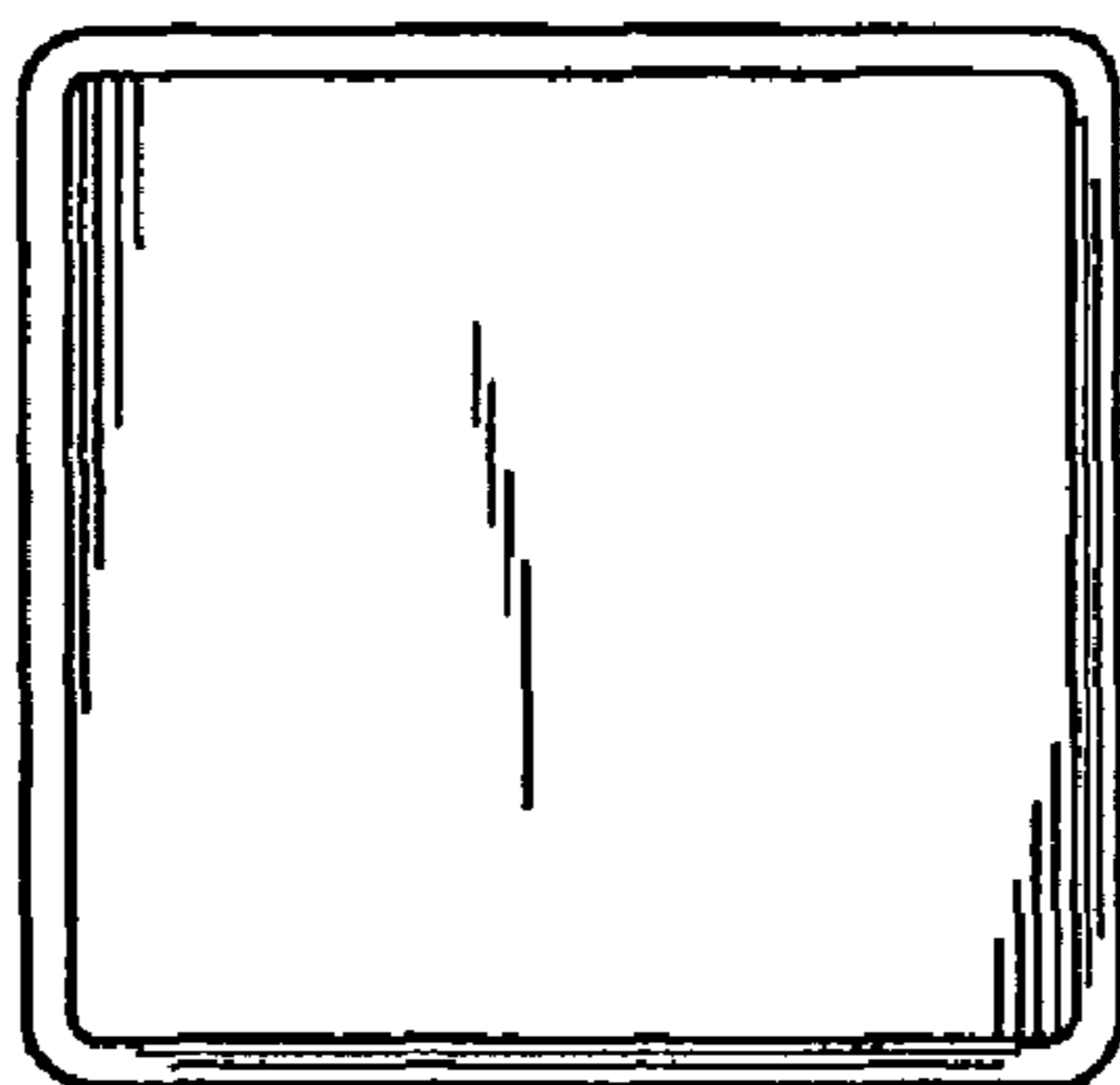
FIG. 4 is a first side elevational view thereof, the other 3 sides being identical thereto.

**1 Claim, 1 Drawing Sheet**

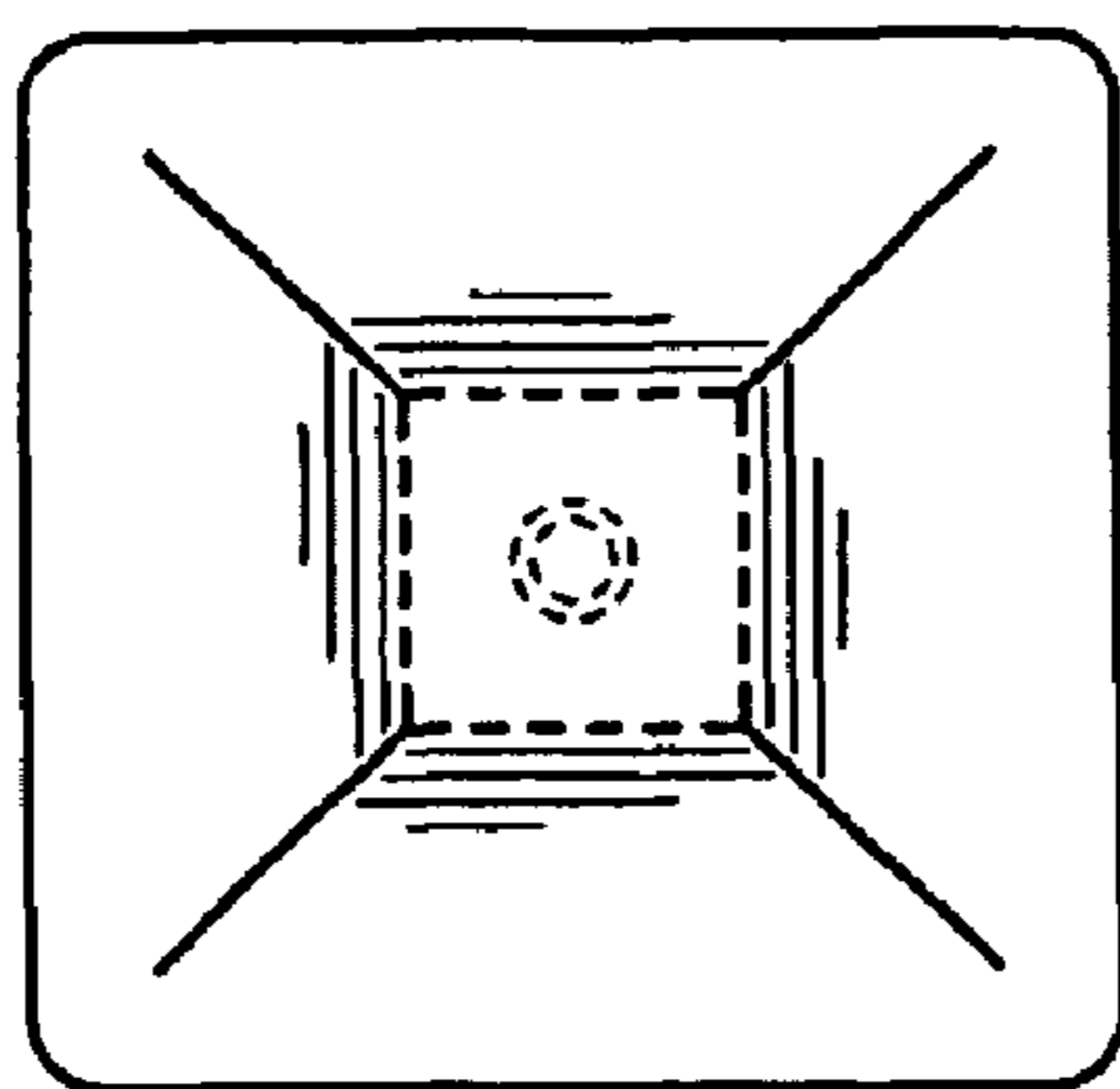




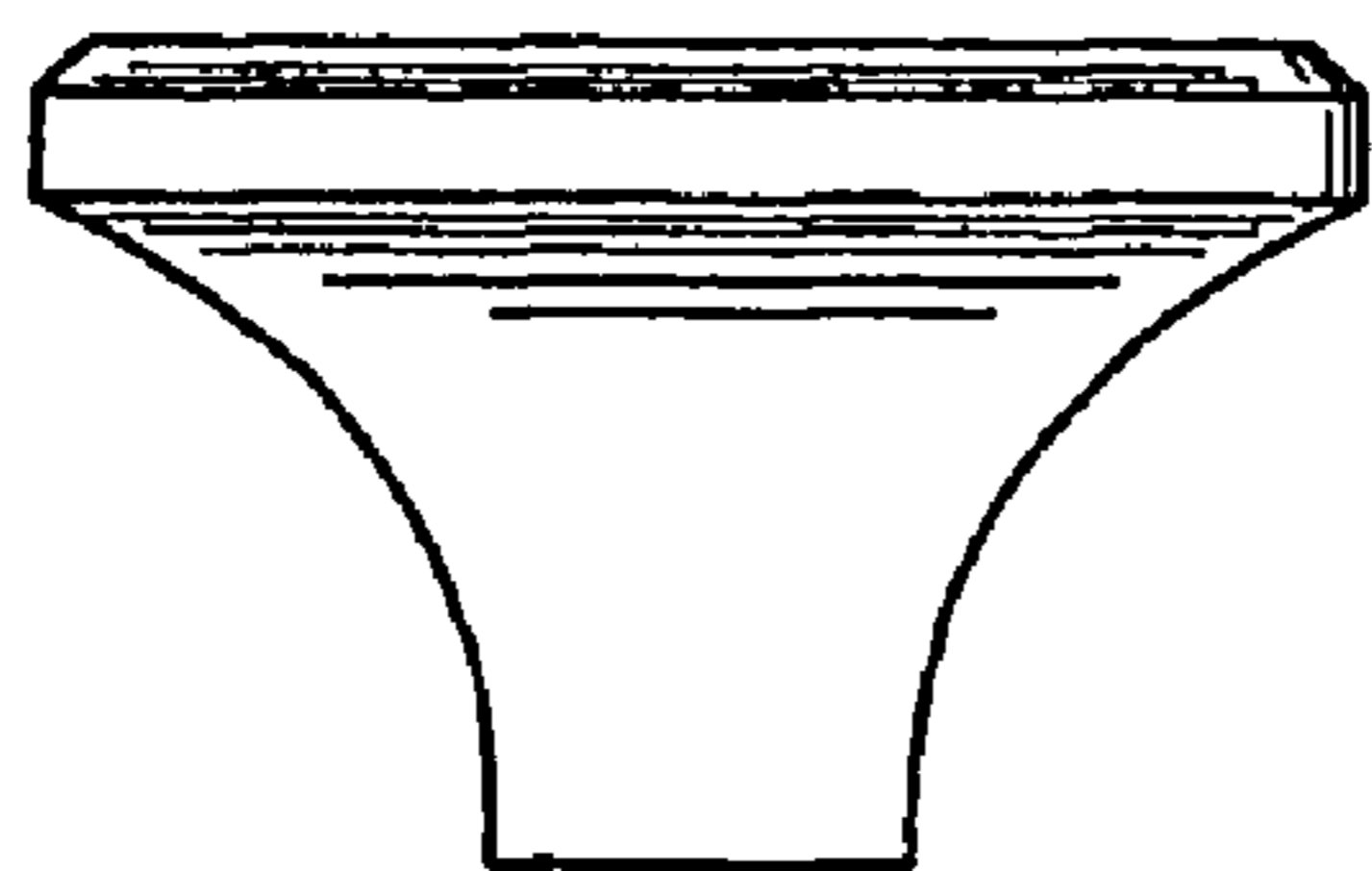
*Fig. 1*



*Fig. 2*



*Fig. 3*



*Fig. 4*